

US00D506377S

(12) **United States Design Patent**
Marzolf et al.

(10) **Patent No.: US D506,377 S**

(45) **Date of Patent: ** *Jun. 21, 2005**

(54) **OPERATING HANDLE FOR A CLOSURE ELEMENT**

6,363,577 B1 * 4/2002 Spitzley 292/336.3
D461,391 S * 8/2002 Houdek et al. D8/320

(75) Inventors: **Ricci L. Marzolf**, New Hampton, IA (US); **Craig Helton**, Charles City, IA (US); **Christopher Lane**, New Hampton, IA (US)

* cited by examiner

Primary Examiner—Paula A. Greene
(74) *Attorney, Agent, or Firm*—Wood, Phillips, Katz, Clark & Mortimer

(73) Assignee: **Tri/Mark Corporation**, New Hampton, IA (US)

(57) **CLAIM**

The ornamental design of a operating handle for a closure element, as shown and described.

(*) Notice: This patent is subject to a terminal disclaimer.

DESCRIPTION

(**) Term: **14 Years**

FIG. 1 is a front, top, and side perspective view of our operating handle for a closure element design;
FIG. 2 is an elevation view of our operating handle for a closure element design from the side opposite that in FIG. 1;
FIG. 3 is plan view of our operating handle for a closure element design;
FIG. 4 is an elevation view of our operating handle for a closure element design from the same side as in FIG. 1;
FIG. 5 is a bottom view of our operating handle for a closure element design;
FIG. 6 is a front elevation view of our operating handle for a closure element design; and,
FIG. 7 is a rear elevation view of our operating handle for a closure element design.

(21) Appl. No.: **29/195,021**

(22) Filed: **Dec. 4, 2003**

(51) **LOC (8) Cl.** **08-06**

(52) **U.S. Cl.** **D8/300**

(58) **Field of Search** D8/300–302, 315–320;
70/104, 129; 292/336.3, 150, 153, 175;
16/412, 418, 438, 445; D12/190

The broken lines are for illustrative purposes only and form no part of the claimed design.

(56) **References Cited**

U.S. PATENT DOCUMENTS

- D162,504 S * 3/1951 Adkinson D8/320
- D338,608 S * 8/1993 Martin et al. D8/302
- D367,633 S * 3/1996 Monette et al. D12/190
- D389,722 S * 1/1998 Blom D8/319
- D453,100 S * 1/2002 Finkelstein et al. D8/302

1 Claim, 4 Drawing Sheets

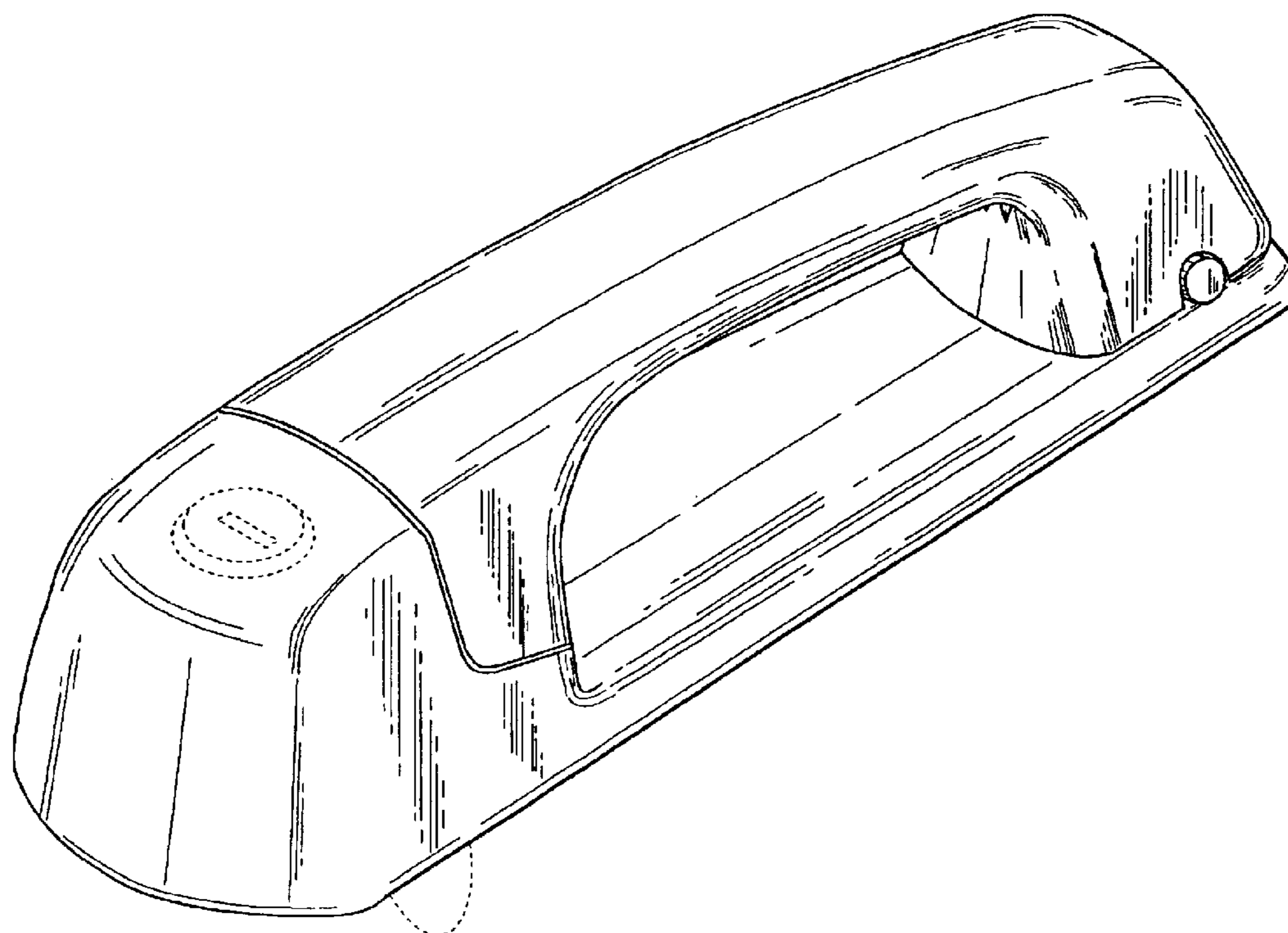
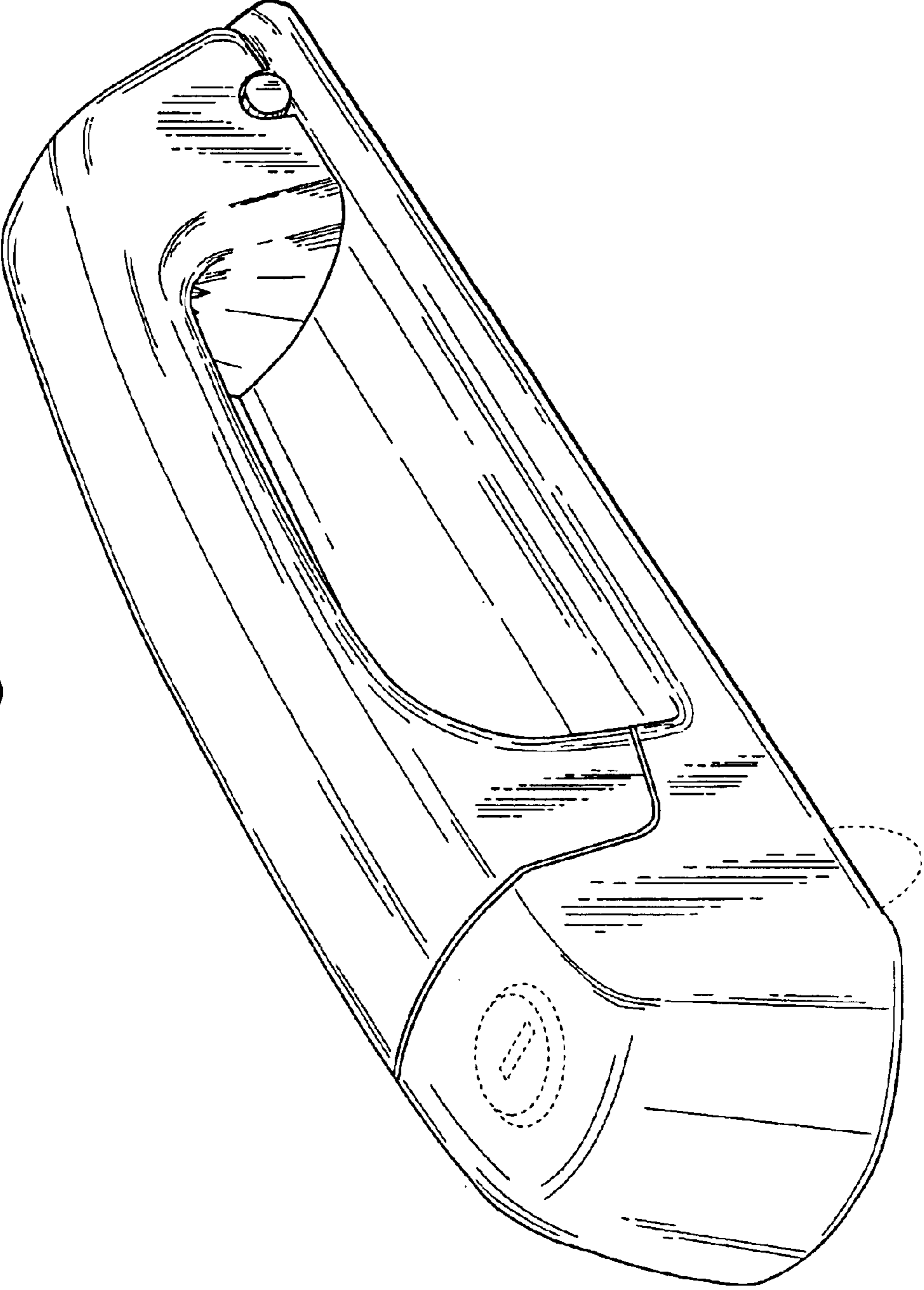


Fig. 1



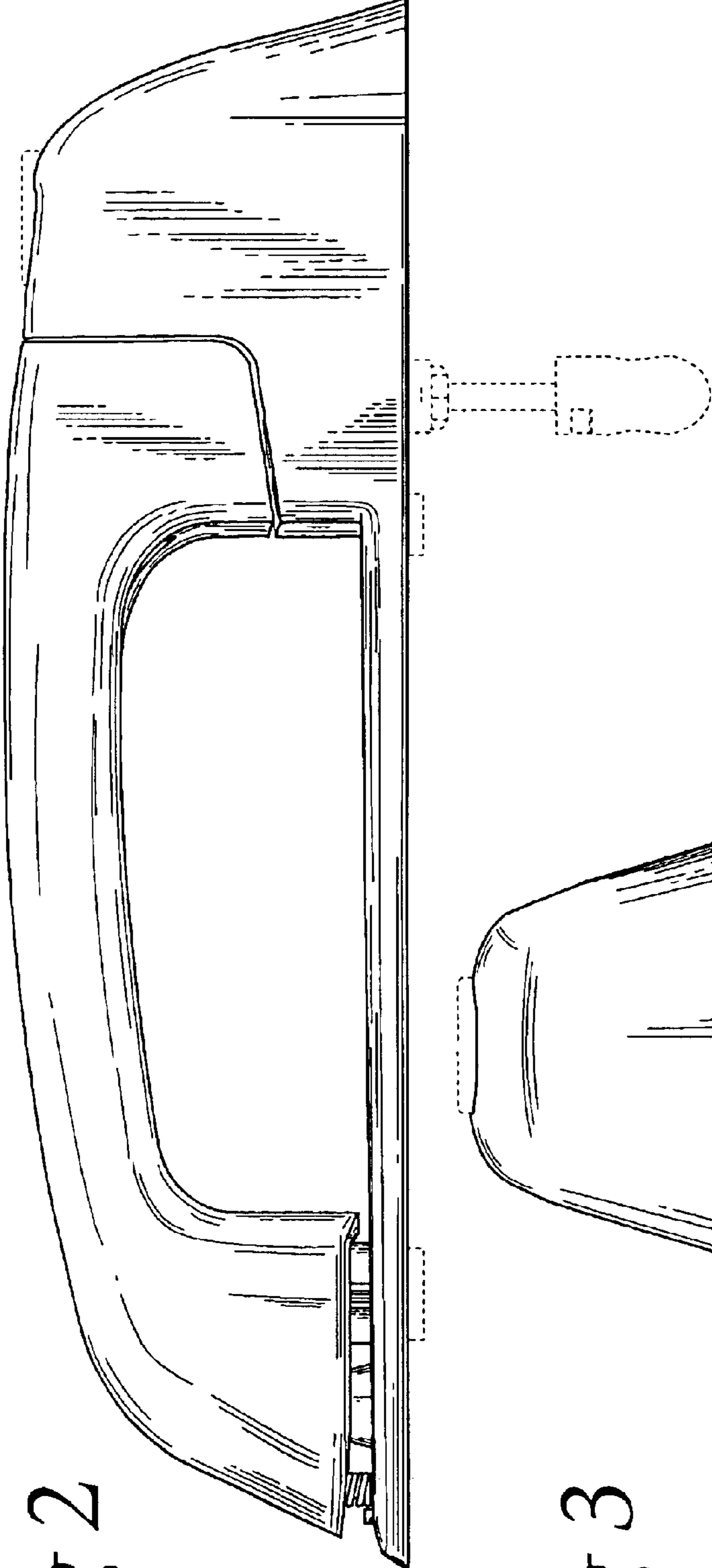


Fig 2

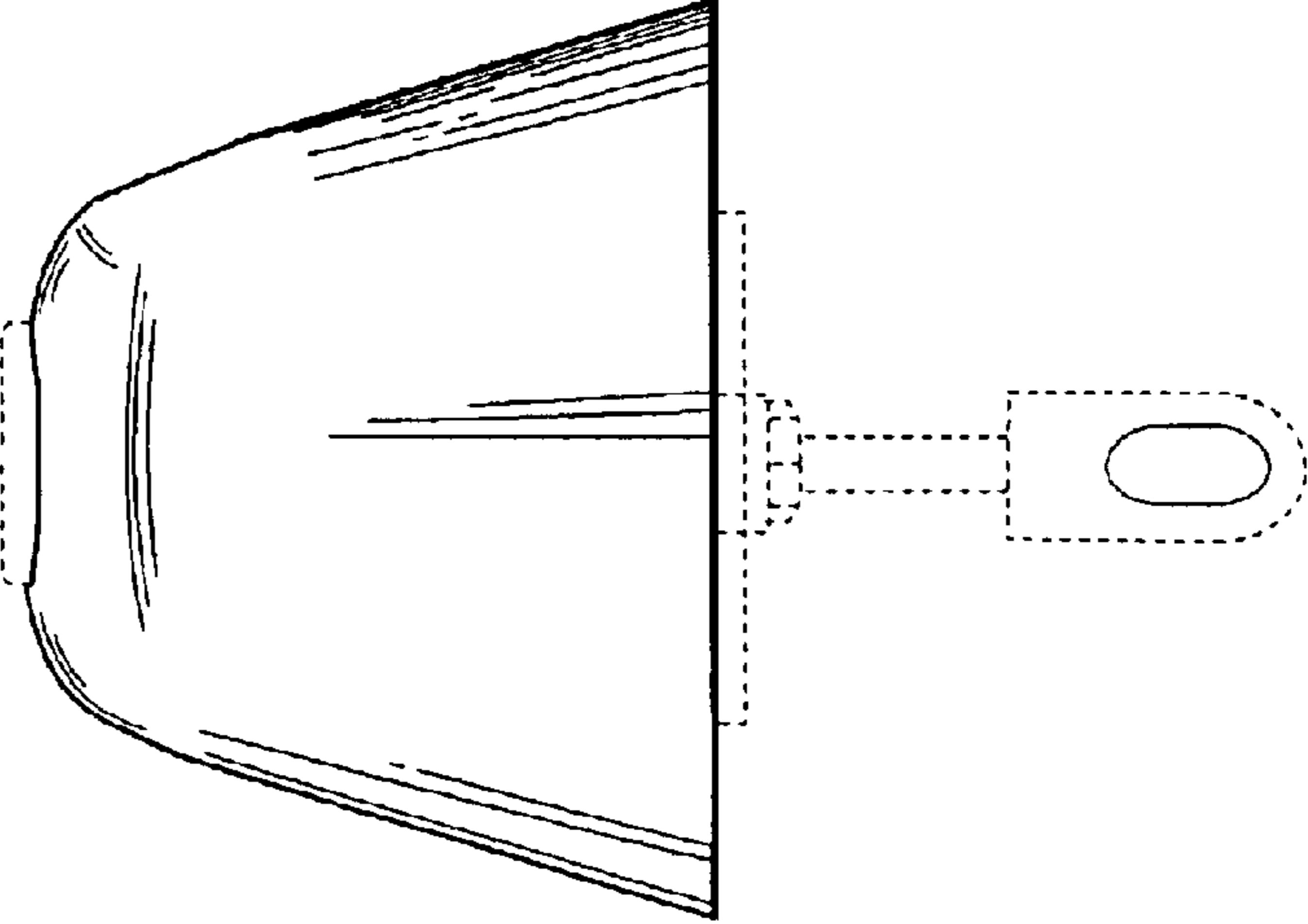


Fig 3



Fig 4

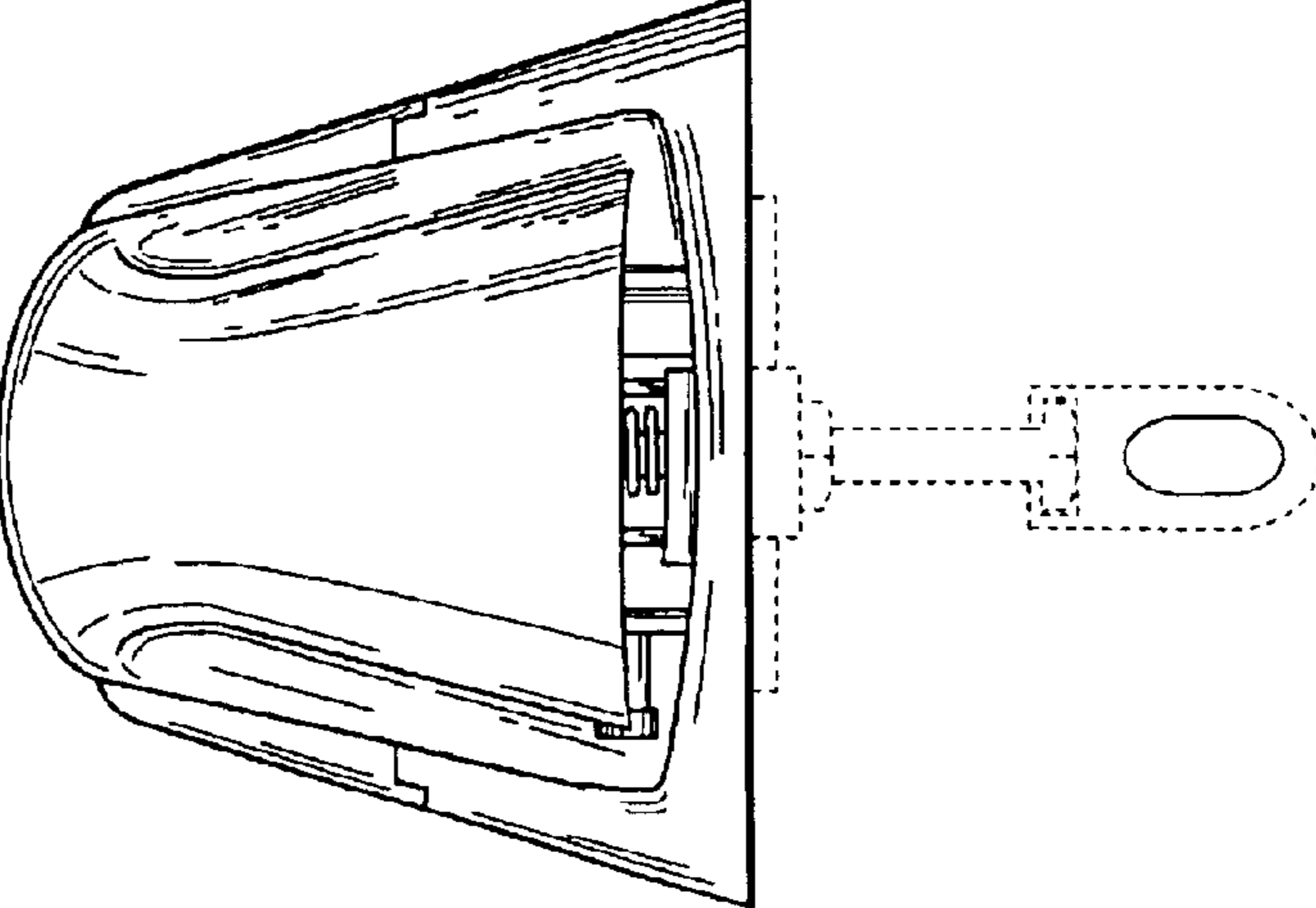


Fig 5

Fig. 6

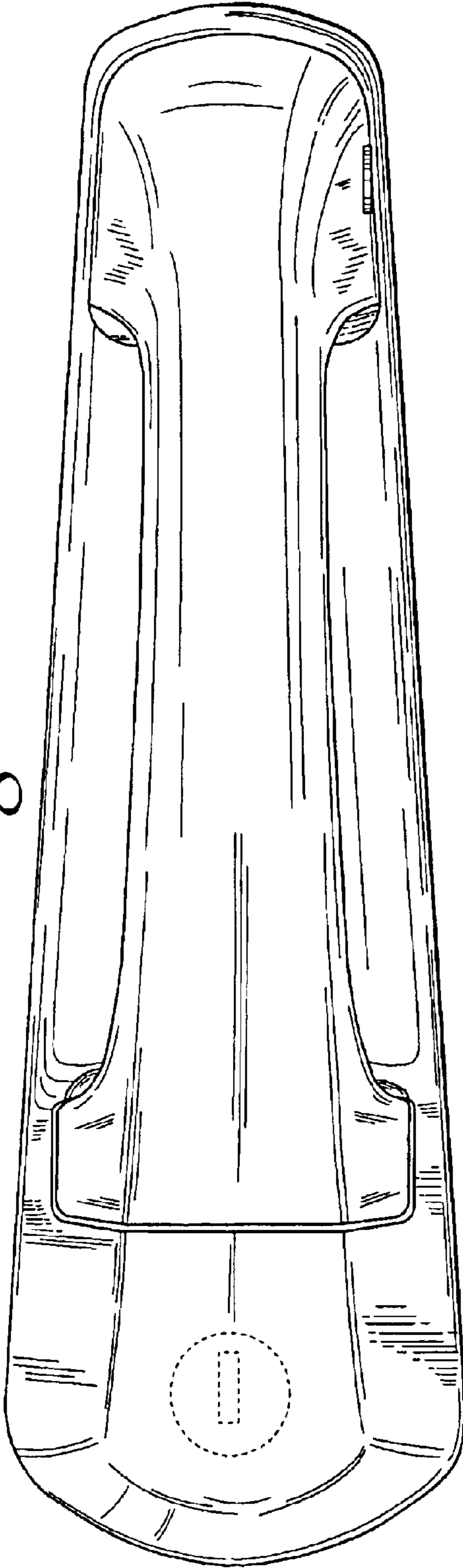


Fig. 7

