

US00D506373S

(12) **United States Design Patent**
Hsien

(10) **Patent No.:** **US D506,373 S**

(45) **Date of Patent:** **** Jun. 21, 2005**

(54) **WRENCH**

6,745,650 B1 * 6/2004 Chang 81/177.8

(76) **Inventor:** **Chih-Ching Hsien**, 58, Ma Yuan West St., Taichung (TW)

(**) **Term:** **14 Years**

(21) **Appl. No.:** **29/194,152**

(22) **Filed:** **Nov. 17, 2003**

(51) **LOC (8) Cl.** **08-05**

(52) **U.S. Cl.** **D8/28; D8/21; D8/27**

(58) **Field of Search** **D8/17, 21-29;**
81/176.1, 119, 186, 177.1, 177.8, 177.9,
185.1, 120, 121.1, 125.1, 177.85

(56) **References Cited**

U.S. PATENT DOCUMENTS

- 4,084,456 A * 4/1978 Pasbrig 81/125.1
- D441,625 S * 5/2001 Chen D8/28
- D485,143 S * 1/2004 Yang D8/28
- D488,967 S * 4/2004 Hsien D8/25

OTHER PUBLICATIONS

Snap-on Catalog, p. 168, 1994.*

* cited by examiner

Primary Examiner—Raphael Barkai

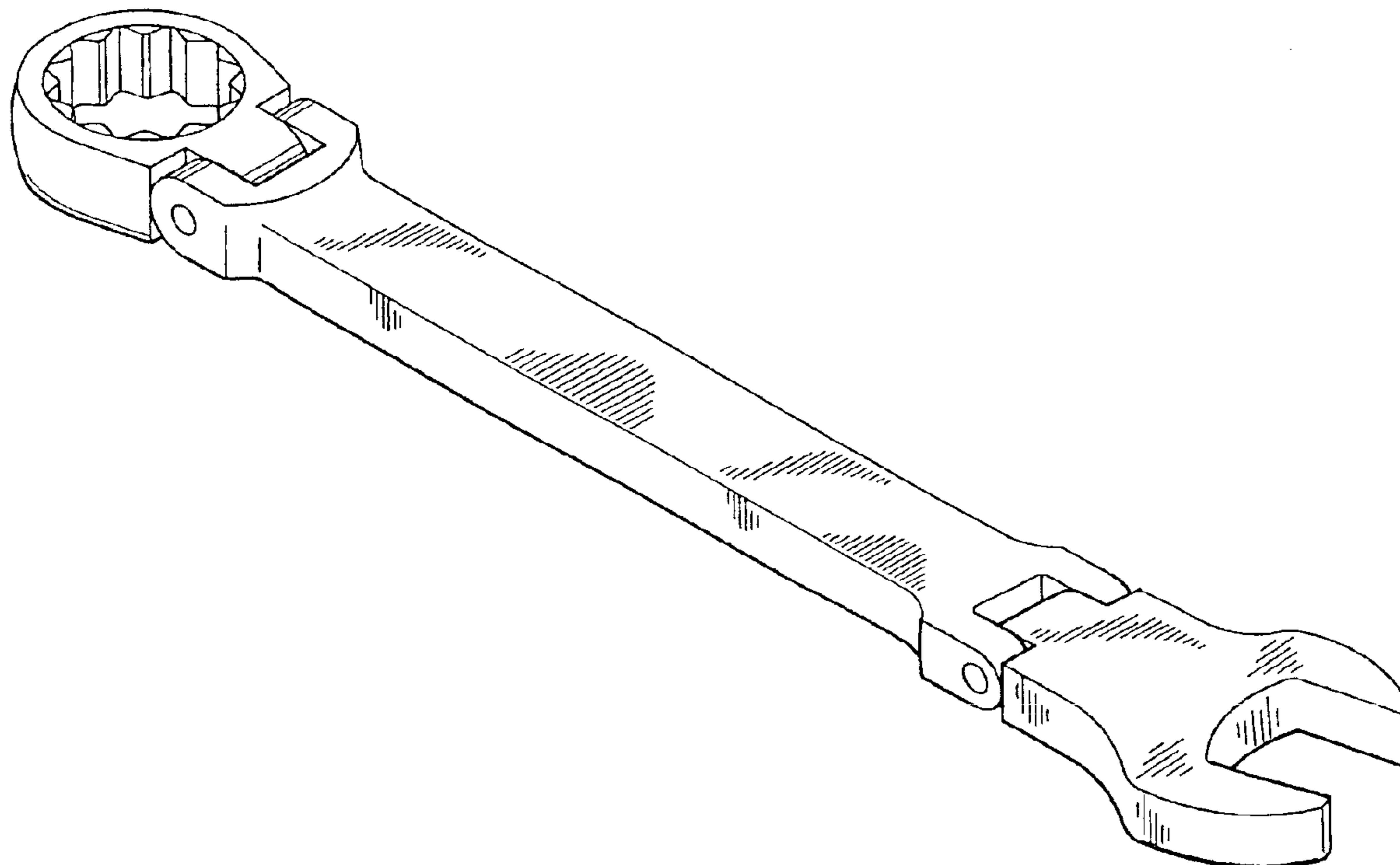
(57) **CLAIM**

The ornamental design for a wrench, as shown and described.

DESCRIPTION

FIG. 1 is a perspective view of a wrench showing my design;
FIG. 2 is a front elevational view thereof;
FIG. 3 is a rear elevational view thereof;
FIG. 4 is a left side elevational view thereof;
FIG. 5 is a right side elevational view thereof;
FIG. 6 is a top plan view thereof; and,
FIG. 7 is a bottom plan view thereof.

1 Claim, 4 Drawing Sheets



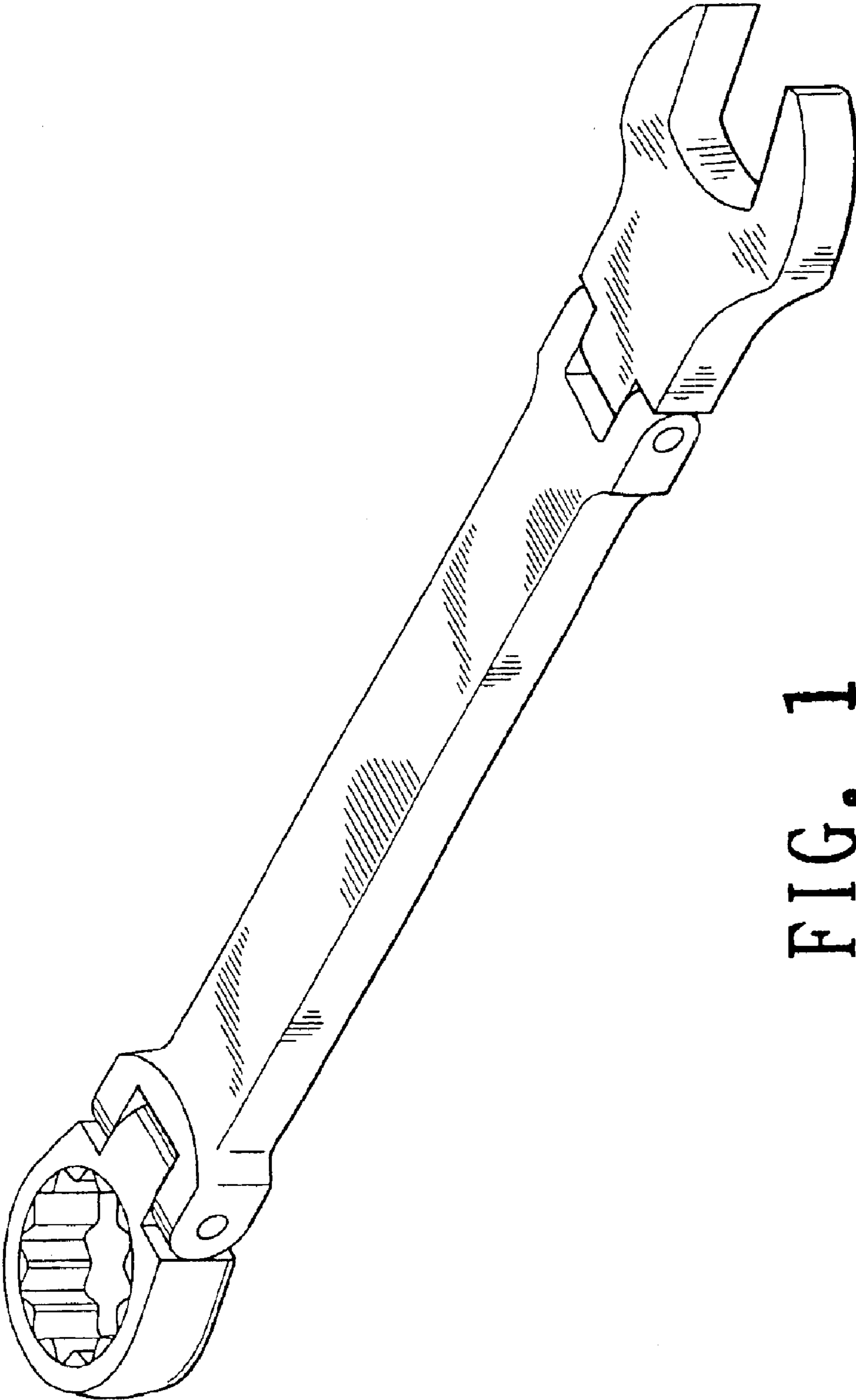


FIG. 1



FIG. 2

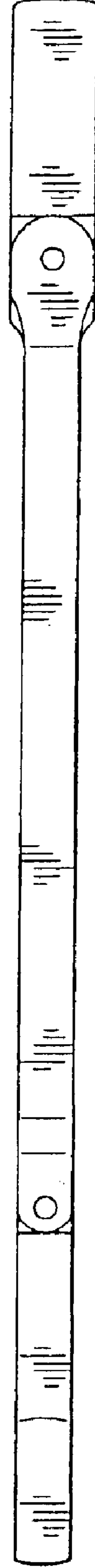


FIG. 3



FIG. 4

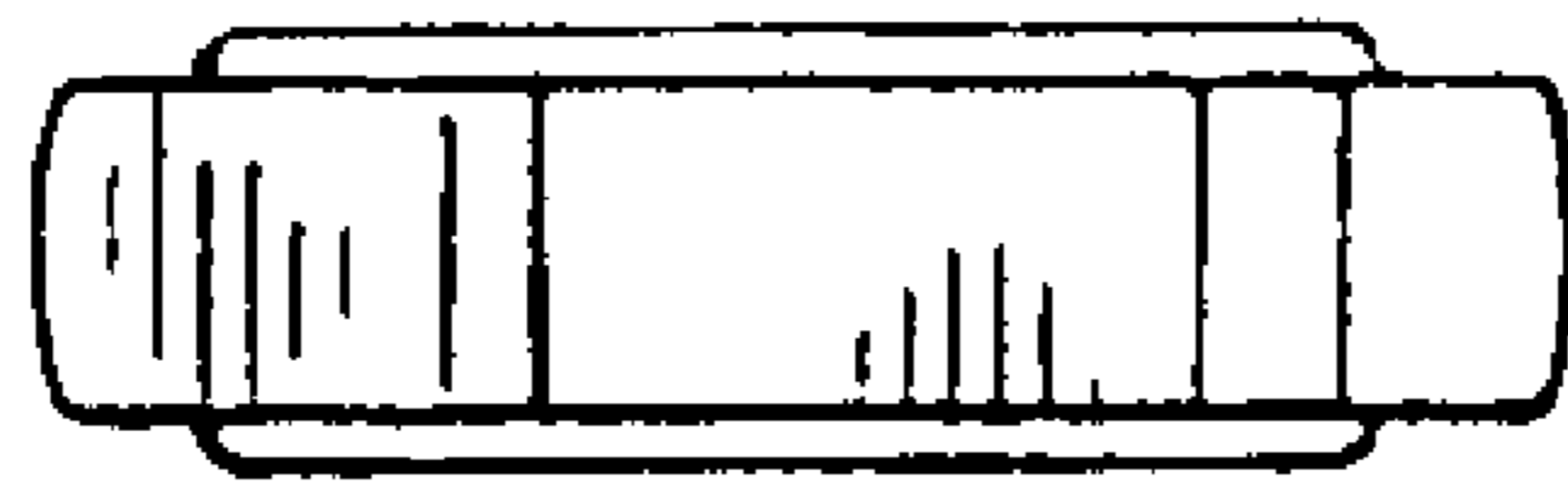


FIG. 5

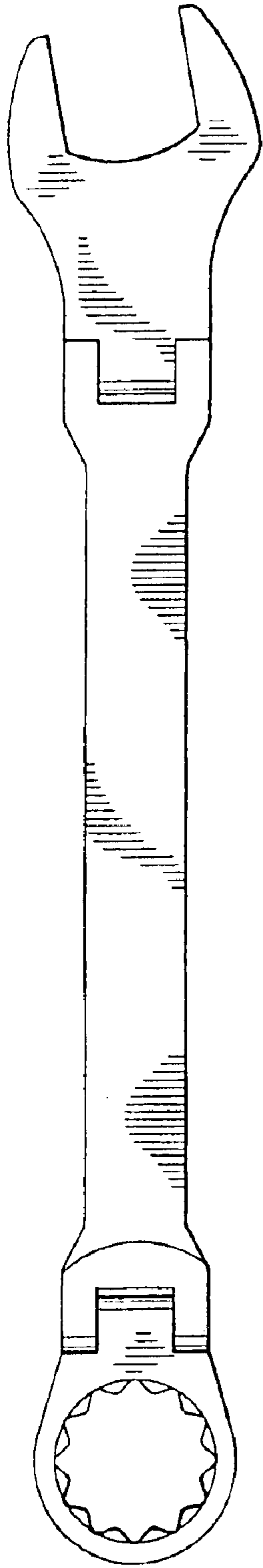


FIG. 6

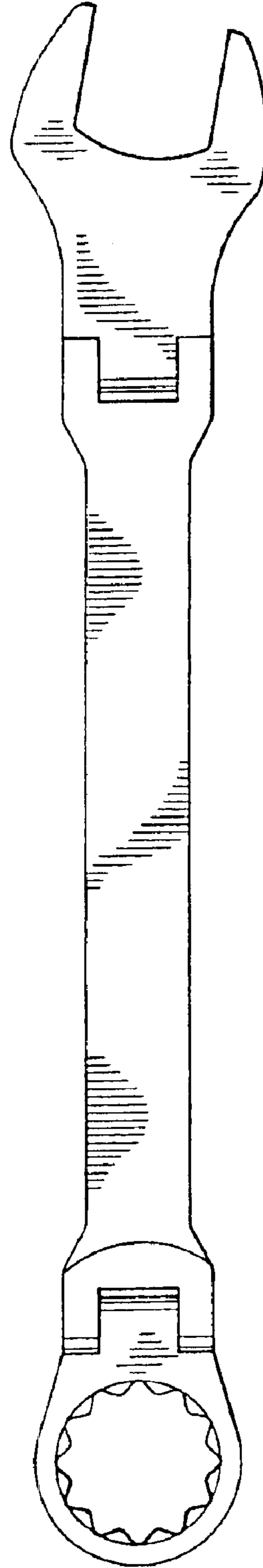


FIG. 7