

US00D506372S

(12) **United States Design Patent**  
**Hsien**

(10) **Patent No.:** **US D506,372 S**  
(45) **Date of Patent:** **\*\* Jun. 21, 2005**

(54) **SPANNER**

6,745,650 B1 \* 6/2004 Chang ..... 81/177.8  
D499,619 S \* 12/2004 Hsien ..... D8/28

(76) **Inventor:** **Chih-Ching Hsien**, 235 Hung-Ho Box  
8-24, Taipei (TW)

(\*\*) **Term:** **14 Years**

(21) **Appl. No.:** **29/198,154**

(22) **Filed:** **Jan. 27, 2004**

(51) **LOC (8) Cl.** ..... **08-05**

(52) **U.S. Cl.** ..... **D8/27**

(58) **Field of Search** ..... D8/17, 21-29;  
81/176.1, 119, 186, 177.1, 177.8, 177.9,  
185.1, 120, 121.1, 125.1, 177.85

(56) **References Cited**

**U.S. PATENT DOCUMENTS**

5,172,614 A	*	12/1992	Monnet et al.	.....	81/125.1
D338,379 S	*	8/1993	DePalo	.....	D8/28
D441,625 S	*	5/2001	Chen	.....	D8/28
D481,276 S	*	10/2003	Hu	.....	D8/28
D485,143 S	*	1/2004	Yang	.....	D8/28
D488,967 S	*	4/2004	Hsien	.....	D8/21

**OTHER PUBLICATIONS**

Snap-on Catalog, p. 168, 1994.\*

\* cited by examiner

*Primary Examiner*—Raphael Barkai

(57) **CLAIM**

The ornamental design for a spanner, as shown and described.

**DESCRIPTION**

FIG. 1 is a perspective view of a spanner showing my new design.

FIG. 2 is a front elevational view thereof.

FIG. 3 is a rear elevational view thereof.

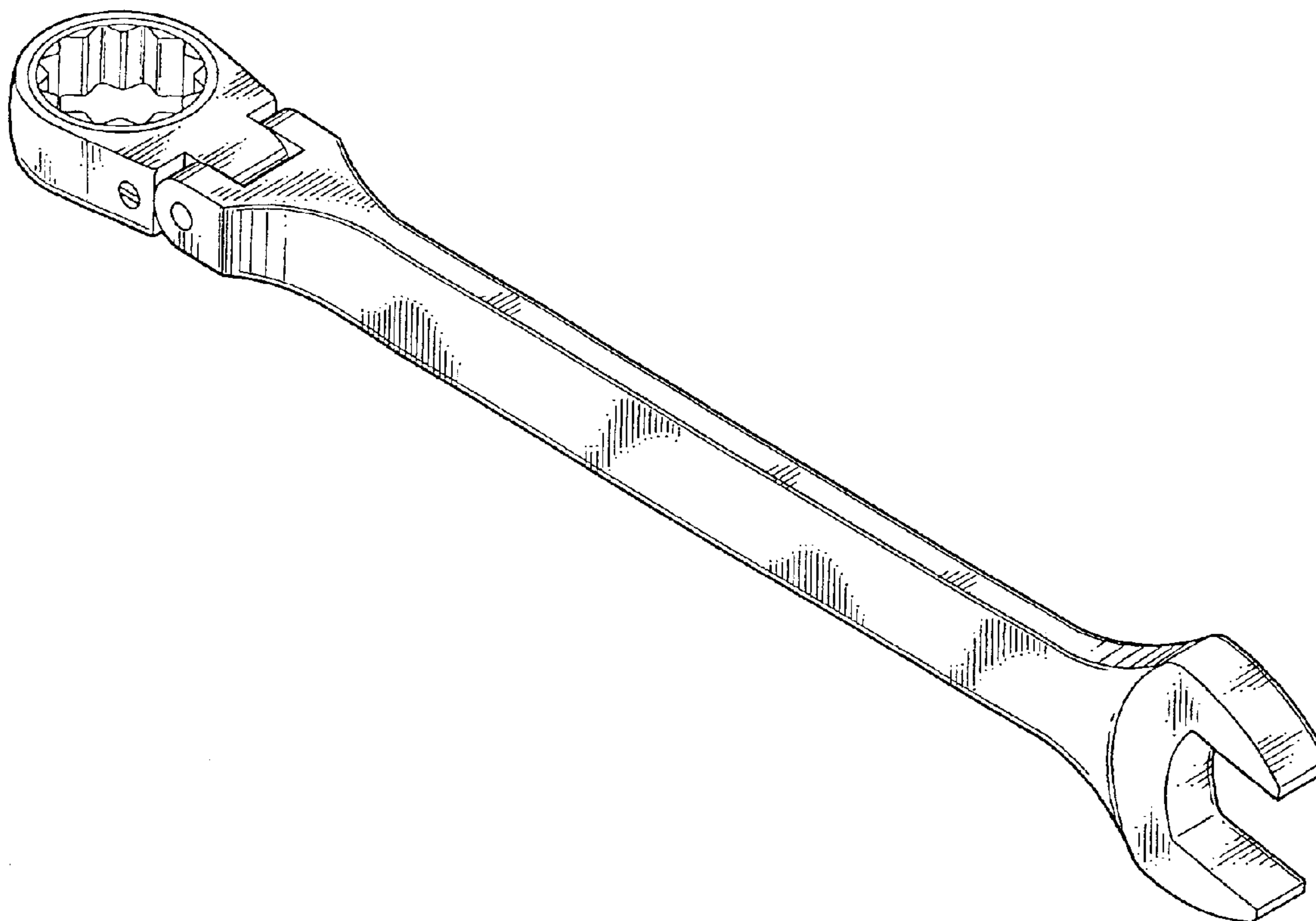
FIG. 4 is a left side view thereof.

FIG. 5 is a right side view thereof.

FIG. 6 is a top plan view thereof; and,

FIG. 7 is a bottom plan view thereof.

**1 Claim, 4 Drawing Sheets**



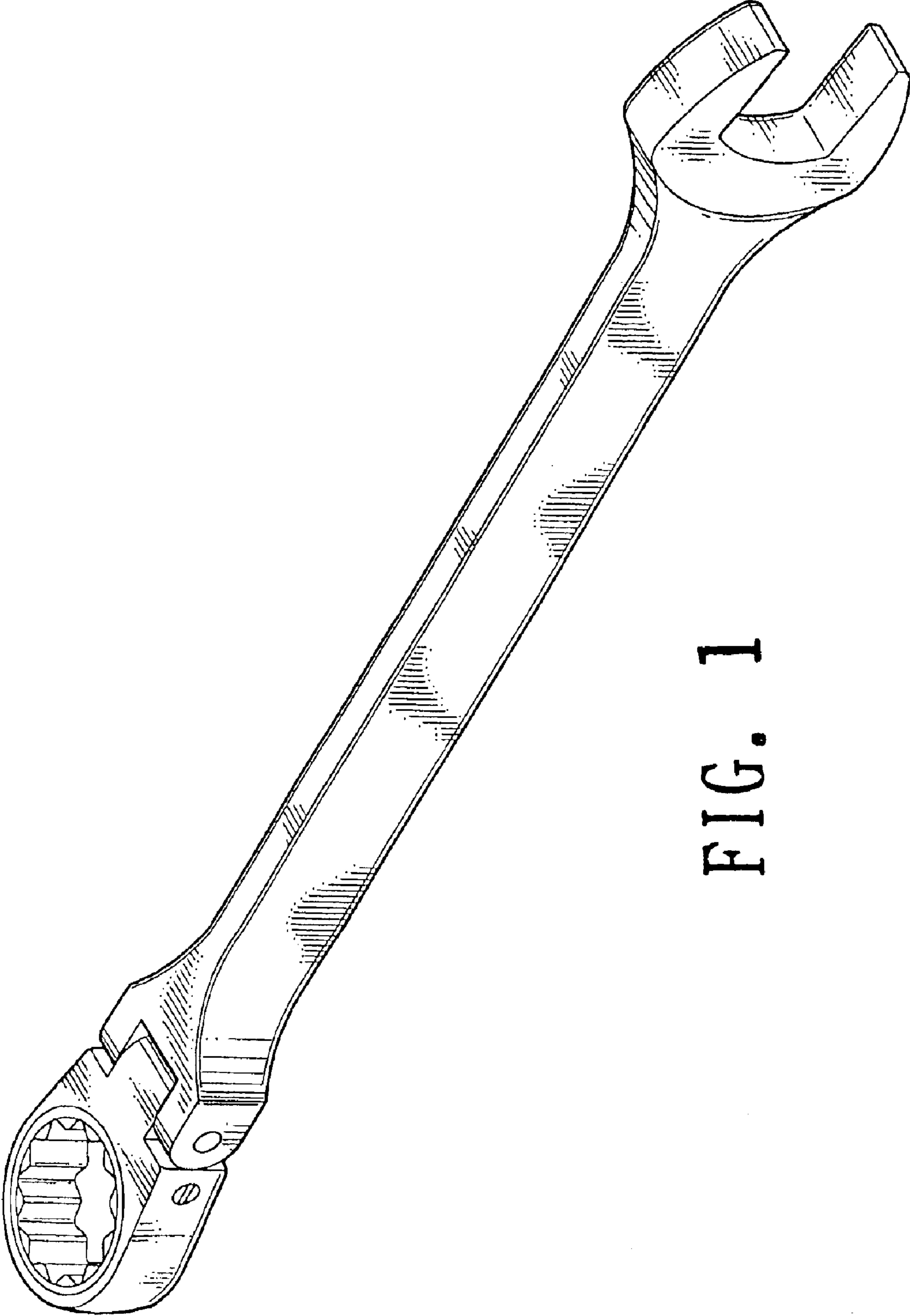


FIG. 1

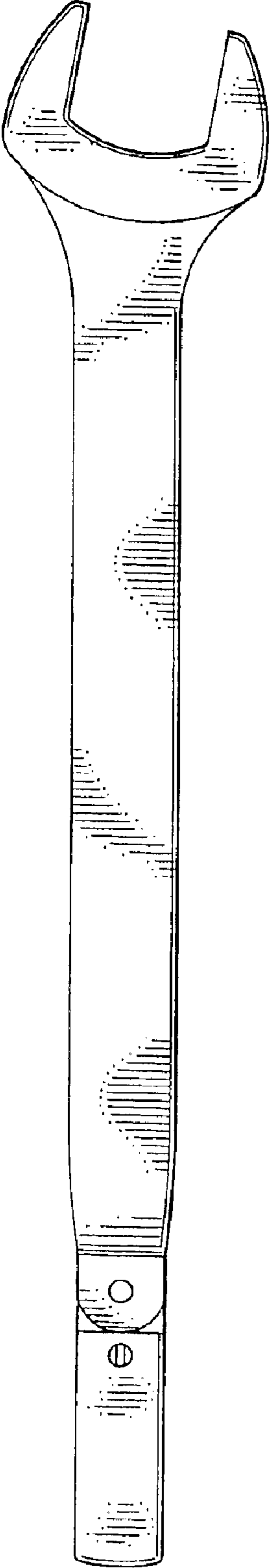


FIG. 2

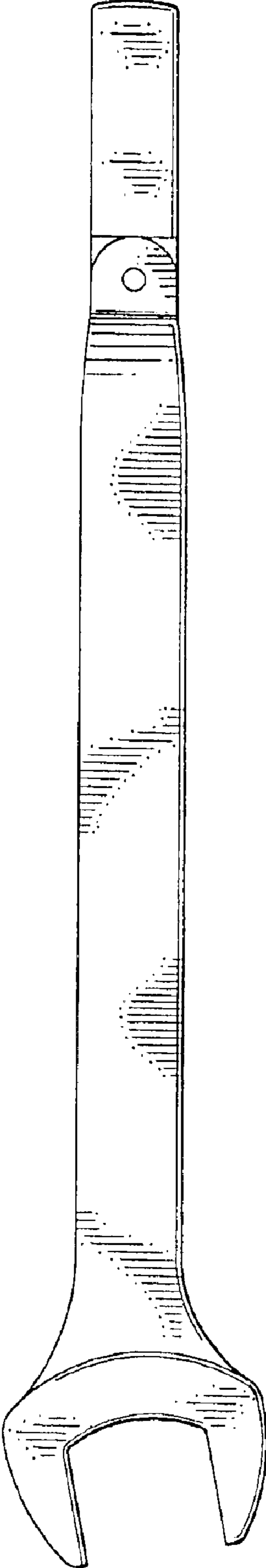


FIG. 3

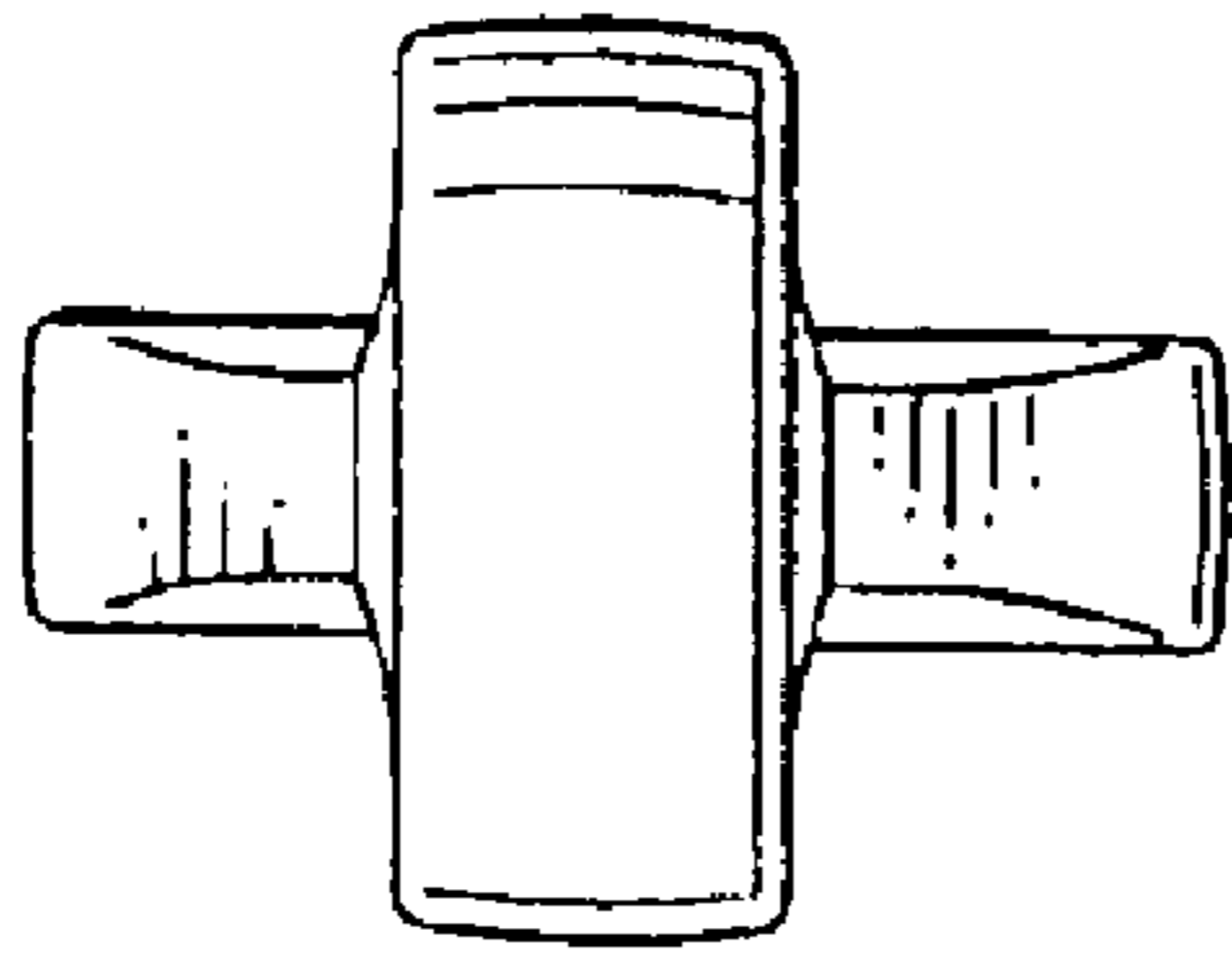


FIG. 4

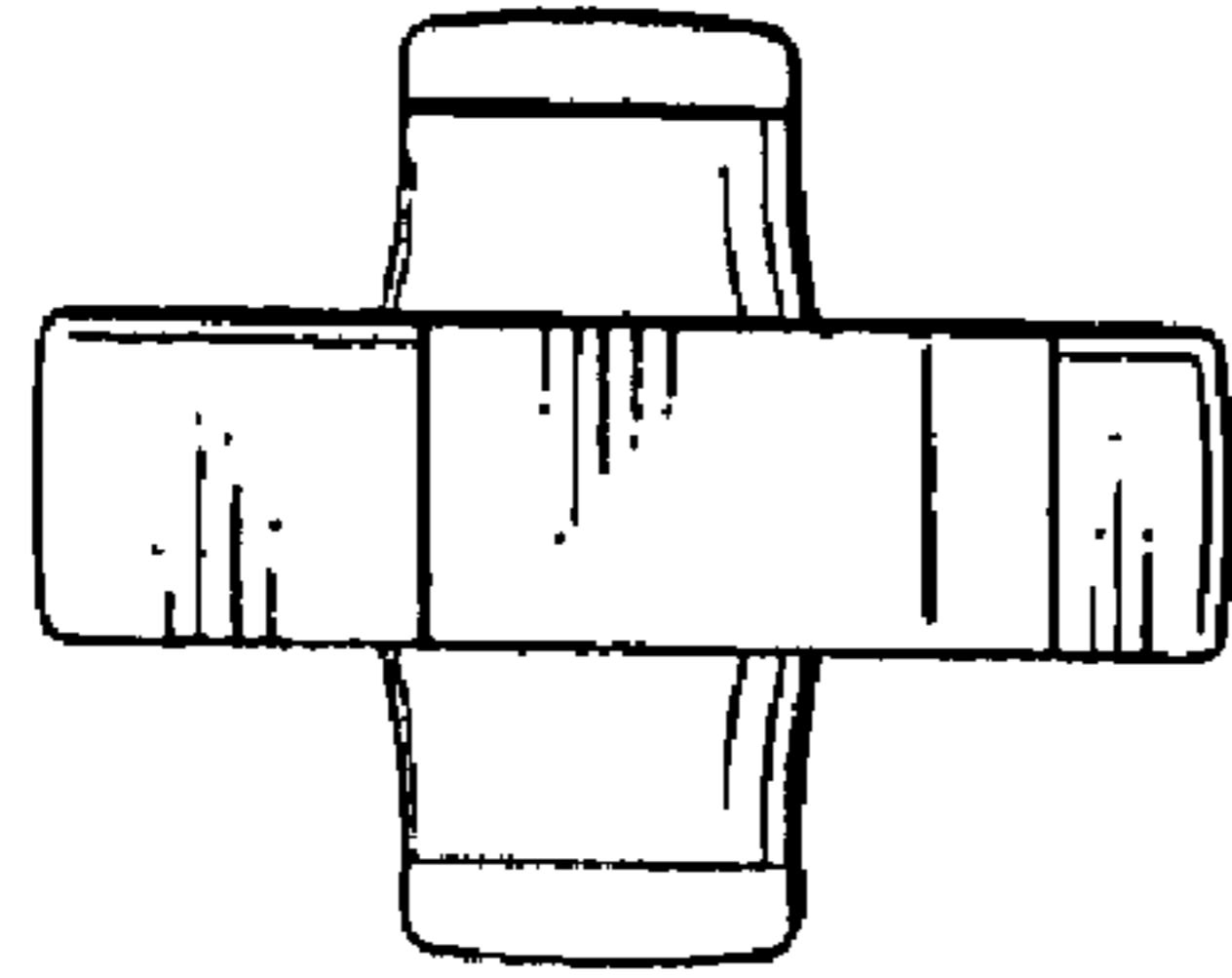


FIG. 5

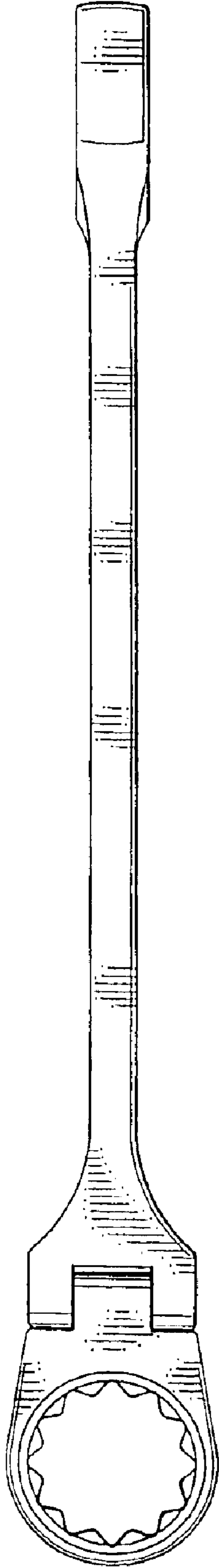


FIG. 6

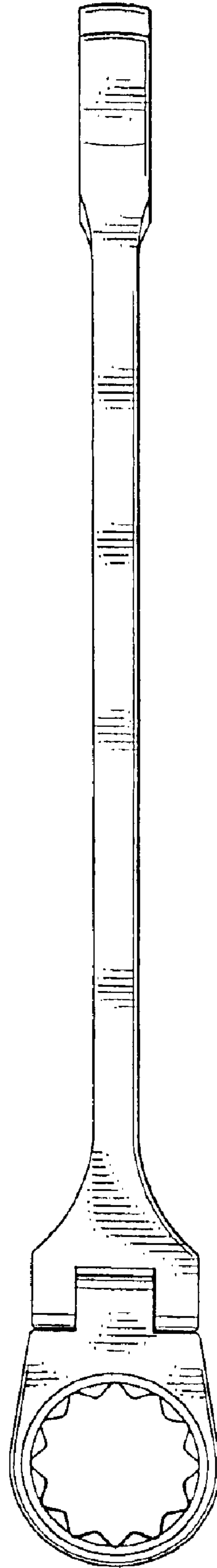


FIG. 7