

US00D506368S

(12) **United States Design Patent**  
**Niswonger**

(10) **Patent No.: US D506,368 S**  
(45) **Date of Patent: \*\* Jun. 21, 2005**

(54) **RAKE**

(76) Inventor: **John O. H. Niswonger**, 28947  
Thousand Oaks Blvd. #212, Agoura  
Hills, CA (US) 91301

(\*\*) Term: **14 Years**

(21) Appl. No.: **29/215,114**

(22) Filed: **Oct. 13, 2004**

(51) **LOC (8) Cl. .... 08-01**

(52) **U.S. Cl. .... D8/13**

(58) **Field of Search** ..... D8/13; 56/400.01,  
56/400.04, 400.05, 400.17, 400.21

(56) **References Cited**

**U.S. PATENT DOCUMENTS**

1,652,260	A	12/1927	Thompson	
1,678,695	A	7/1928	Ferguson	
3,206,921	A	9/1965	Slaga	
3,440,810	A	4/1969	Rhyme	
4,741,150	A	* 5/1988	Saksun	56/400.21
D329,785	S	* 9/1992	Colonello	D8/13
5,179,825	A	* 1/1993	Griffiths et al.	56/400.05
D373,056	S	* 8/1996	Hueber	D8/13
D409,461	S	* 5/1999	Kiefer	D8/13
5,927,057	A	* 7/1999	Hueber	56/400.06

**OTHER PUBLICATIONS**

U.S. Appl. No. 29/189,743, filed Sep. 10, 2003, Niswonger.

\* cited by examiner

*Primary Examiner*—Holly Baynham

(74) *Attorney, Agent, or Firm*—Ronald Rohde

(57) **CLAIM**

The ornamental design for a rake, as shown and described.

**DESCRIPTION**

FIG. 1 is a top perspective view of my new design for rake.

FIG. 2 is a rear elevation view of FIG. 1.

FIG. 3 is a front elevation view of FIG. 1.

FIG. 4 is a top plan view of FIG. 1.

FIG. 5 is a bottom plan view of FIG. 1.

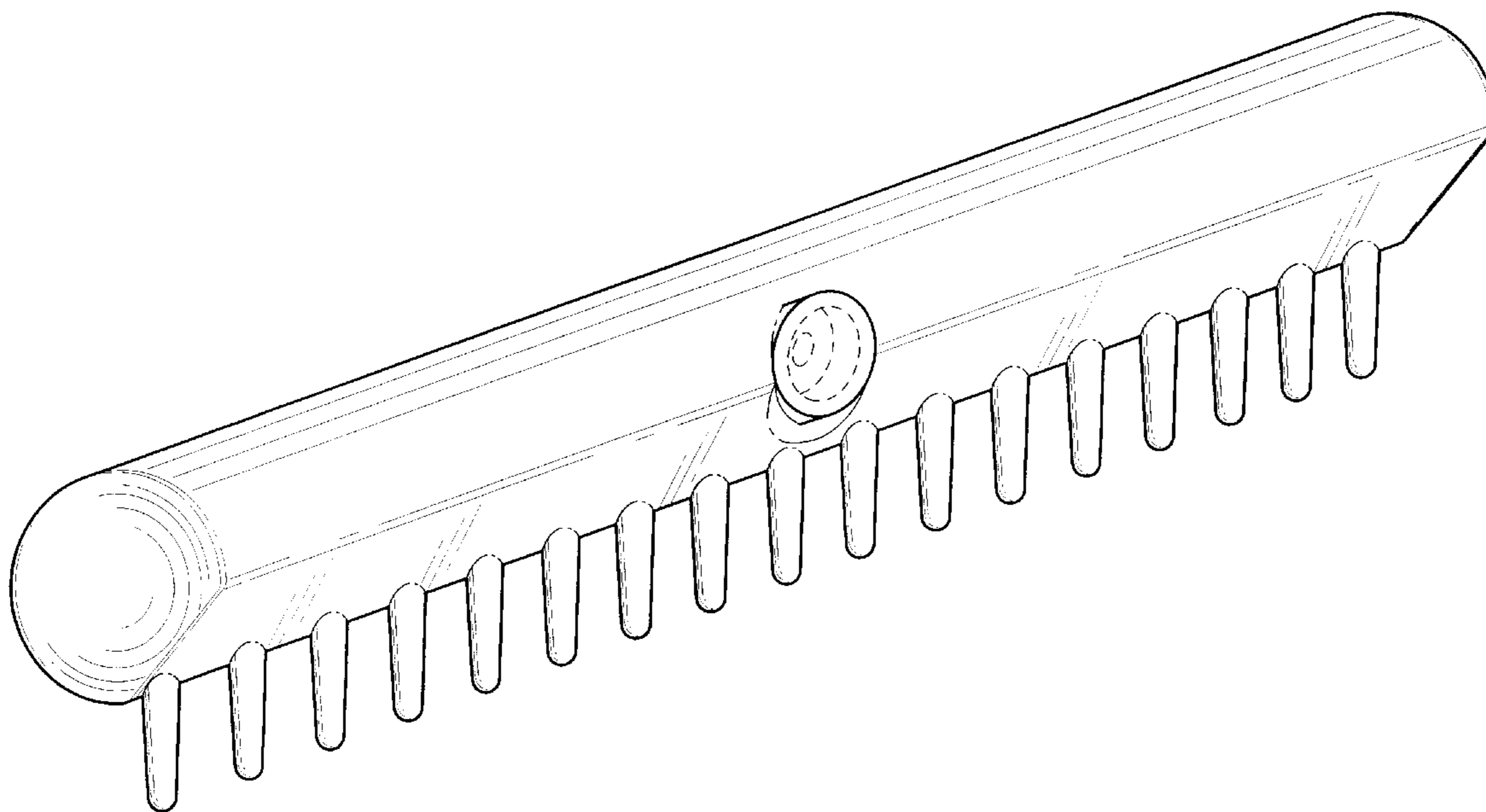
FIG. 6 is a right side elevation view of FIG. 1.

FIG. 7 is a left side elevation view of FIG. 1; and,

FIG. 8 is a reduced scale top perspective view of FIG. 1, including broken lines indicating a rake handle, which is for illustrative purposes only and forms no part of the claimed design.

The broken line showing of openings is for illustrative purposes only and forms no part of the claimed design.

**1 Claim, 5 Drawing Sheets**



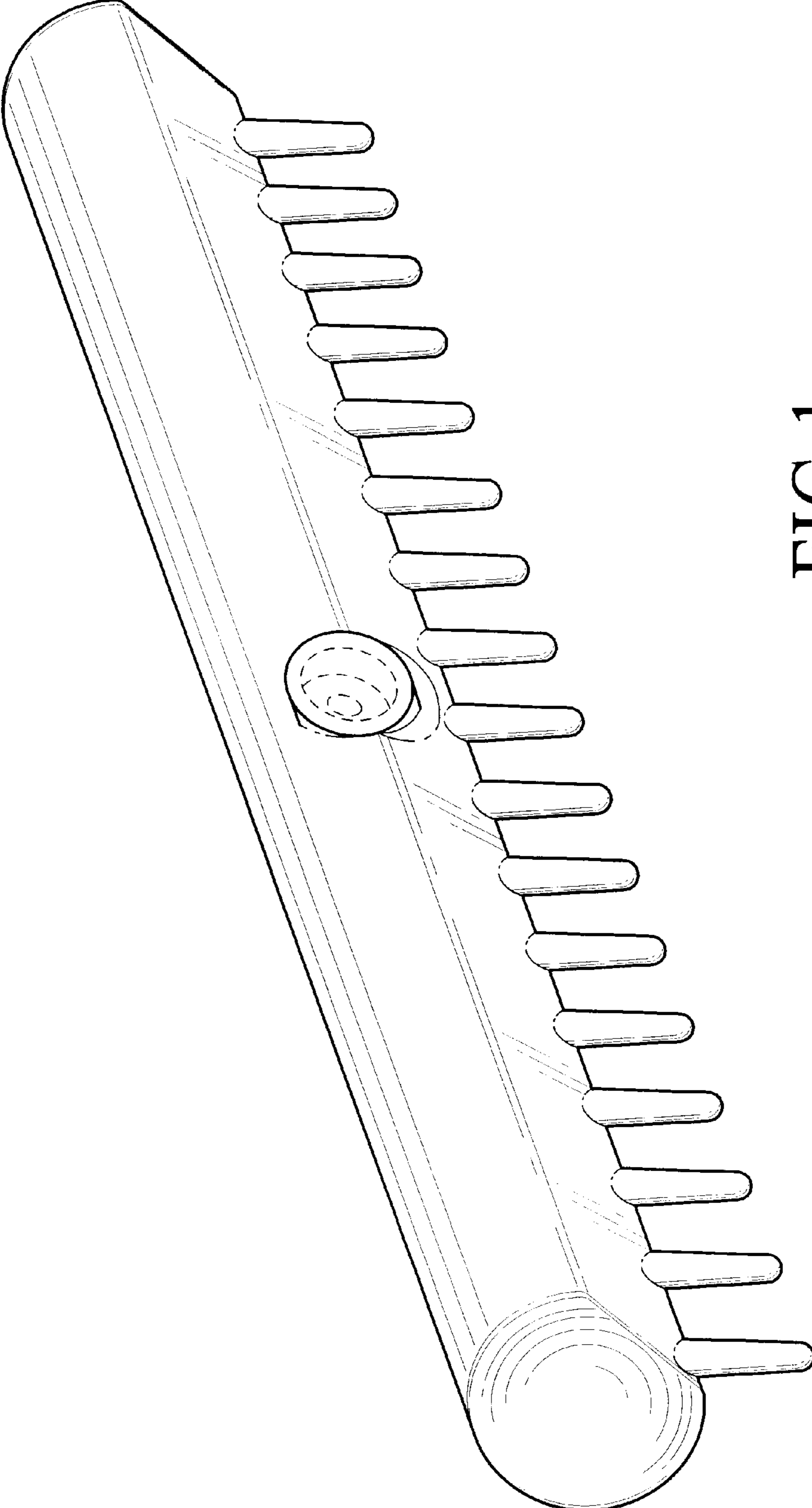


FIG. 1

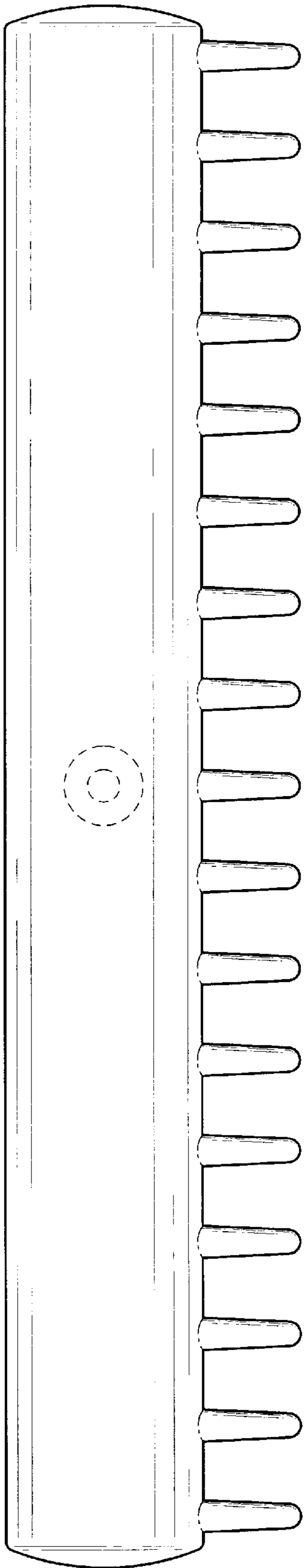


FIG. 2

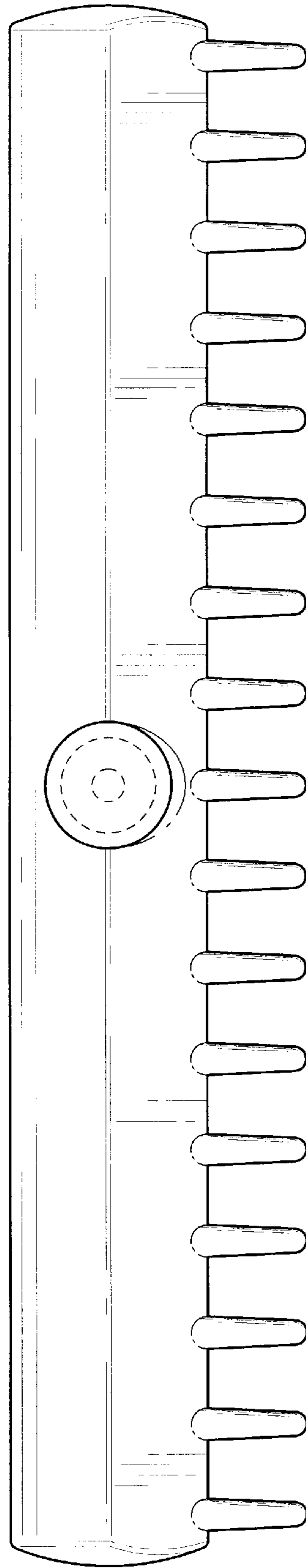


FIG. 3

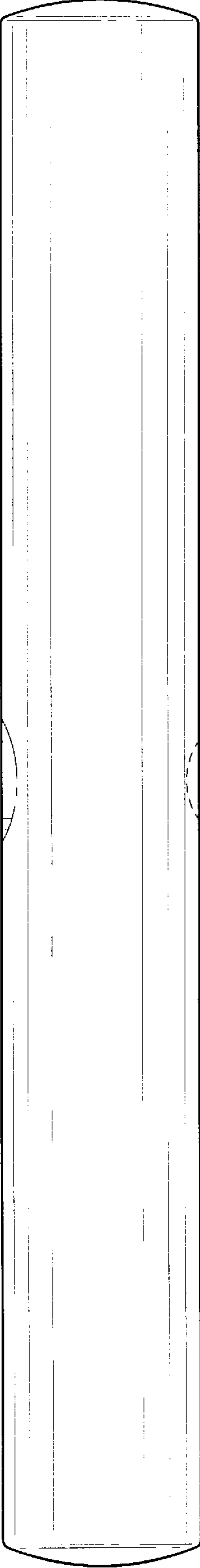


FIG. 4

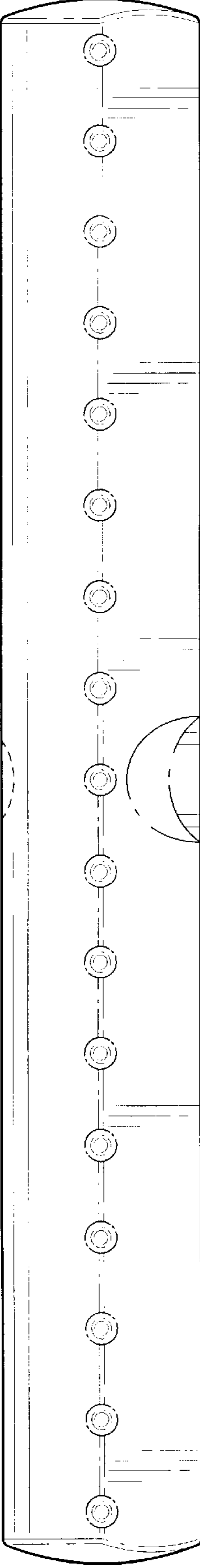


FIG. 5

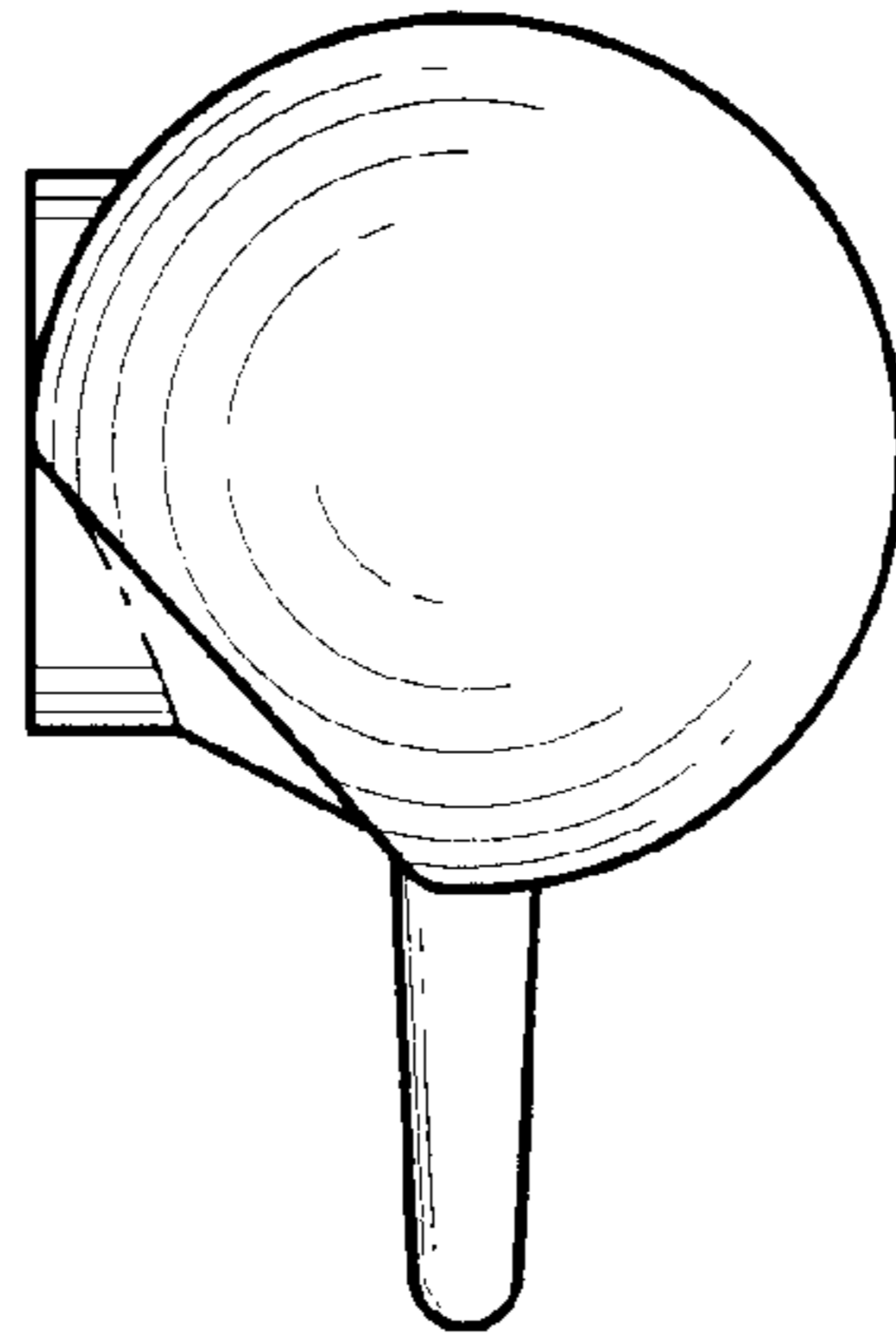


FIG. 6

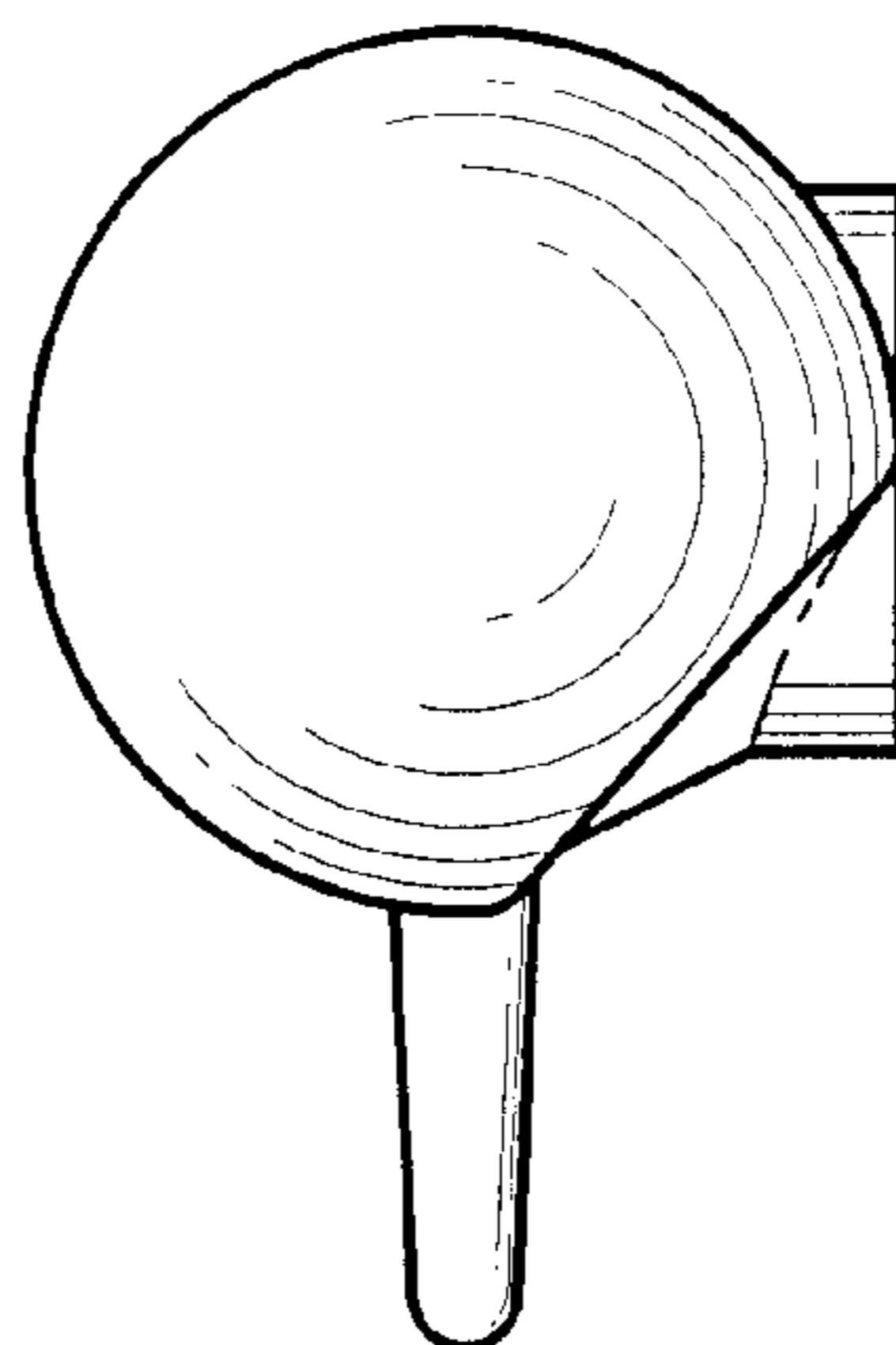


FIG. 7

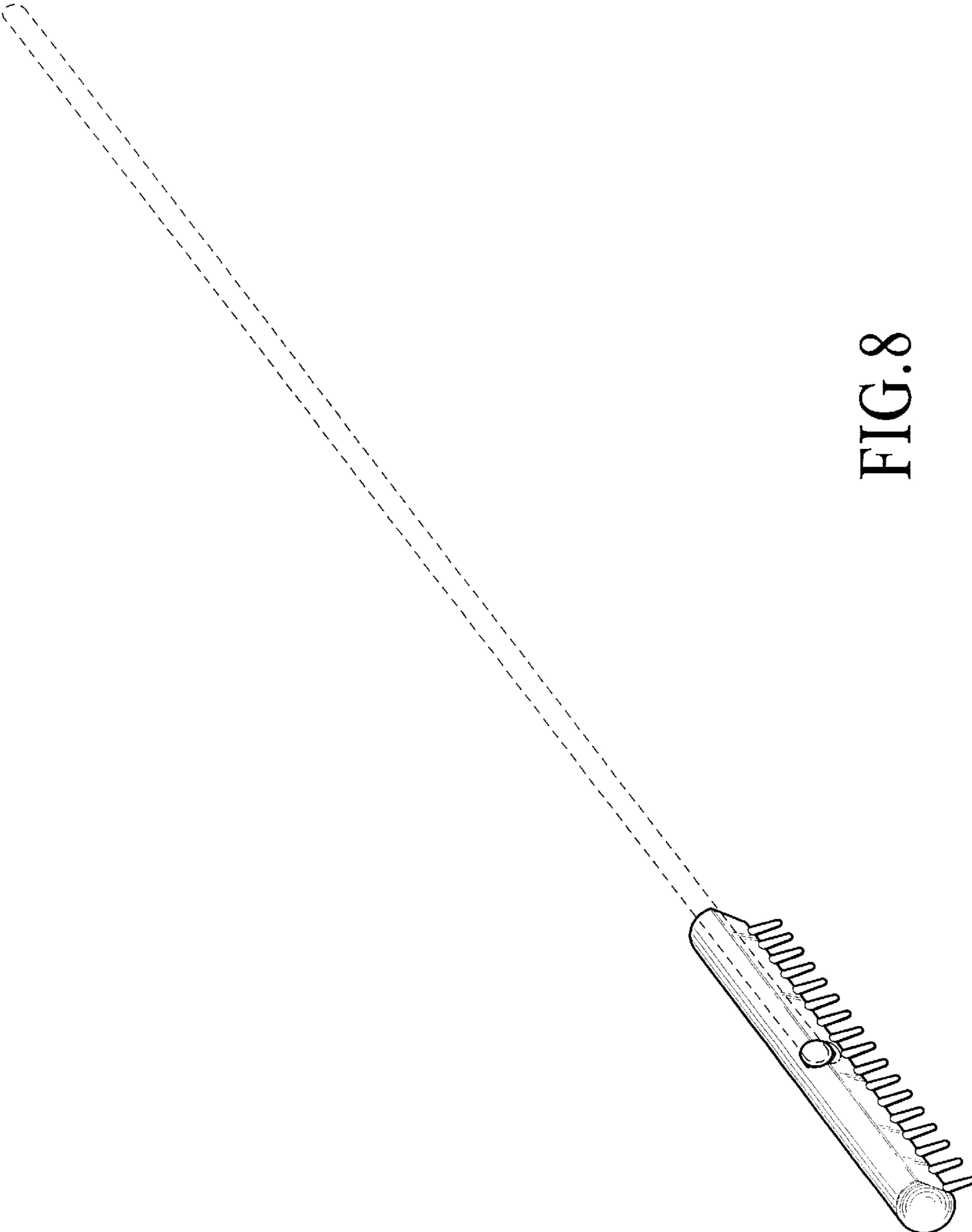


FIG. 8