

US00D506367S

(12) **United States Design Patent**  
**Toppan**

(10) **Patent No.: US D506,367 S**

(45) **Date of Patent: \*\* Jun. 21, 2005**

(54) **TREE- OR POLE-MOUNTABLE DEVICE WITH REMOVABLE, EXTENDABLE ARMS FOR TRAINING VINES**

D249,432 S	9/1978	Pearce et al.	
4,164,094 A	8/1979	Kempka	
4,520,590 A	* 6/1985	Schuh	47/43
5,341,593 A	8/1994	Foreman	
6,389,744 B1	* 5/2002	Pugh	47/47

(76) **Inventor: Sally A. Toppan**, 253 Fair Oaks La., Cohasset, MA (US) 02025

\* cited by examiner

(\*\*) **Term: 14 Years**

*Primary Examiner*—Holly Baynham

(74) *Attorney, Agent, or Firm*—Donald R. Schoonover

(21) **Appl. No.: 29/212,560**

(57) **CLAIM**

(22) **Filed: Sep. 3, 2004**

I claim the ornamental design for a tree- or pole-mountable device with removable, extendable arms for training vines, as shown and described.

(51) **LOC (8) Cl. .... 08-01**

(52) **U.S. Cl. .... D8/1**

(58) **Field of Search** ..... D8/1; 47/48.5, 47/40.5, 32.7, 32, 30

**DESCRIPTION**

(56) **References Cited**

**U.S. PATENT DOCUMENTS**

1,025,311 A	5/1912	Rowell	
1,758,839 A	5/1930	Kelsey	
1,933,280 A	10/1933	Righter	
2,809,468 A	10/1957	Eliot	
2,990,647 A	7/1961	Himebaugh	
3,174,255 A	3/1965	Knell	
3,188,771 A	6/1965	Ballai	
3,397,485 A	8/1968	Peterson	
3,471,968 A	10/1969	Letz	
3,579,908 A	5/1971	Morgan	
4,073,090 A	* 2/1978	Lucia	47/43

FIG. 1 is a perspective view of a tree- or pole-mountable device with removable, extendable arms for training vines showing my new design;

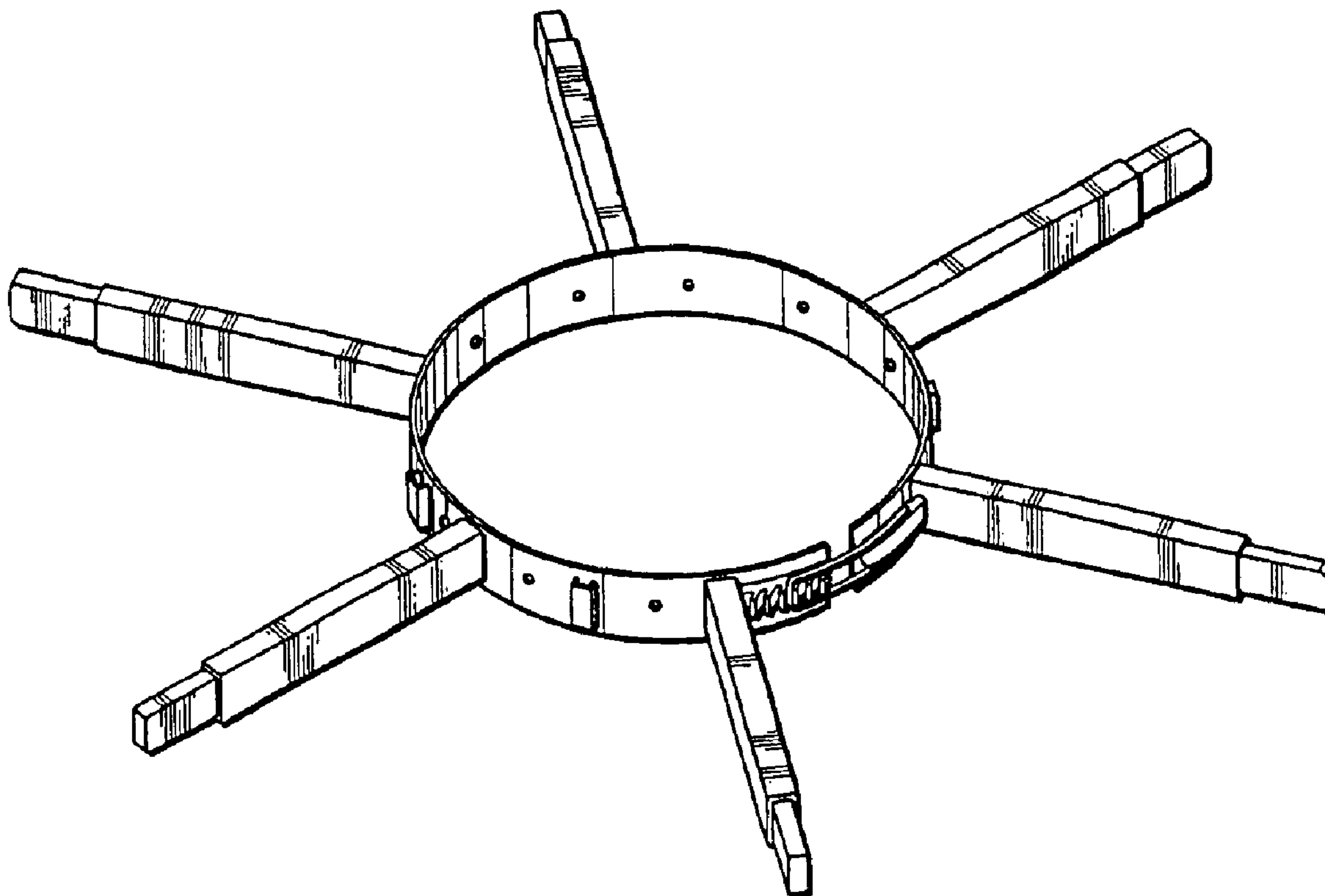
FIG. 2 is a side elevational view thereof;

FIG. 3 is an elevational view of the opposing side thereof;

FIG. 4 is a top plan view thereof, the bottom plan view being a mirror image thereof; and,

FIG. 5 is a reduced perspective view showing the tree- or pole-mountable device with removable, extendable arms for training vines in use; the phantom lines depict environmental structure for illustrative purposes only and form no part of the claimed design.

**1 Claim, 3 Drawing Sheets**



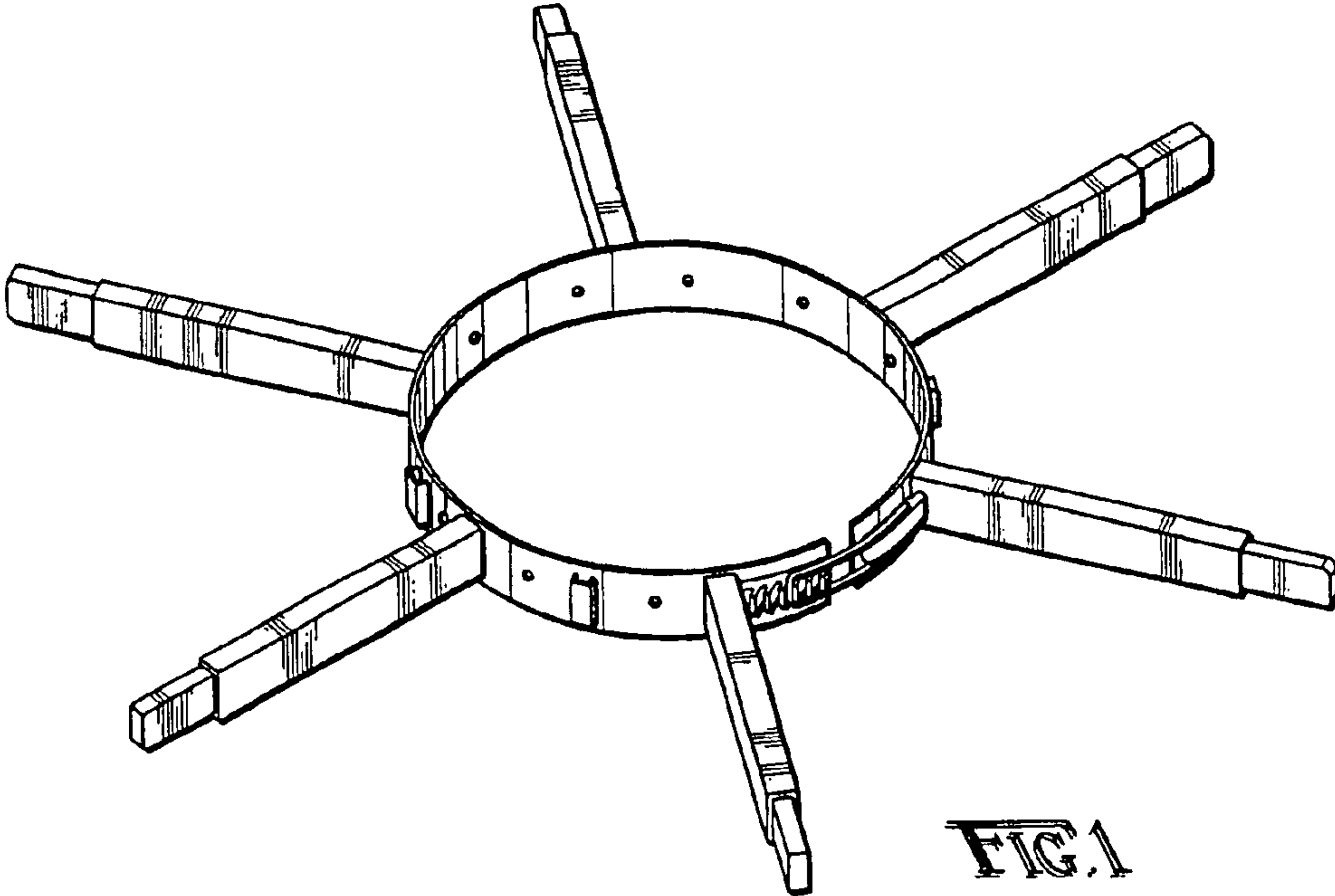


FIG. 1



FIG. 2



FIG. 3

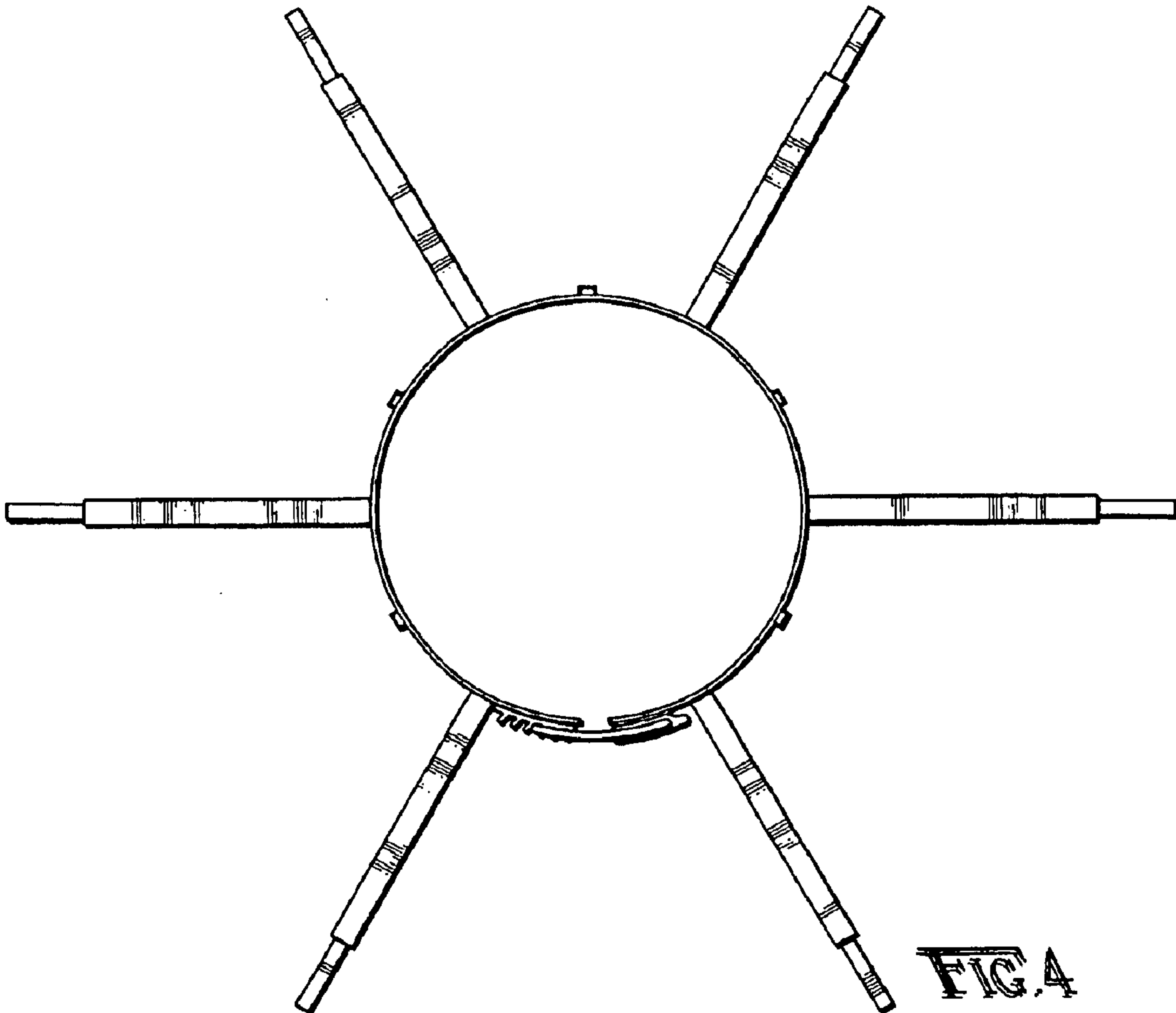


FIG. 4

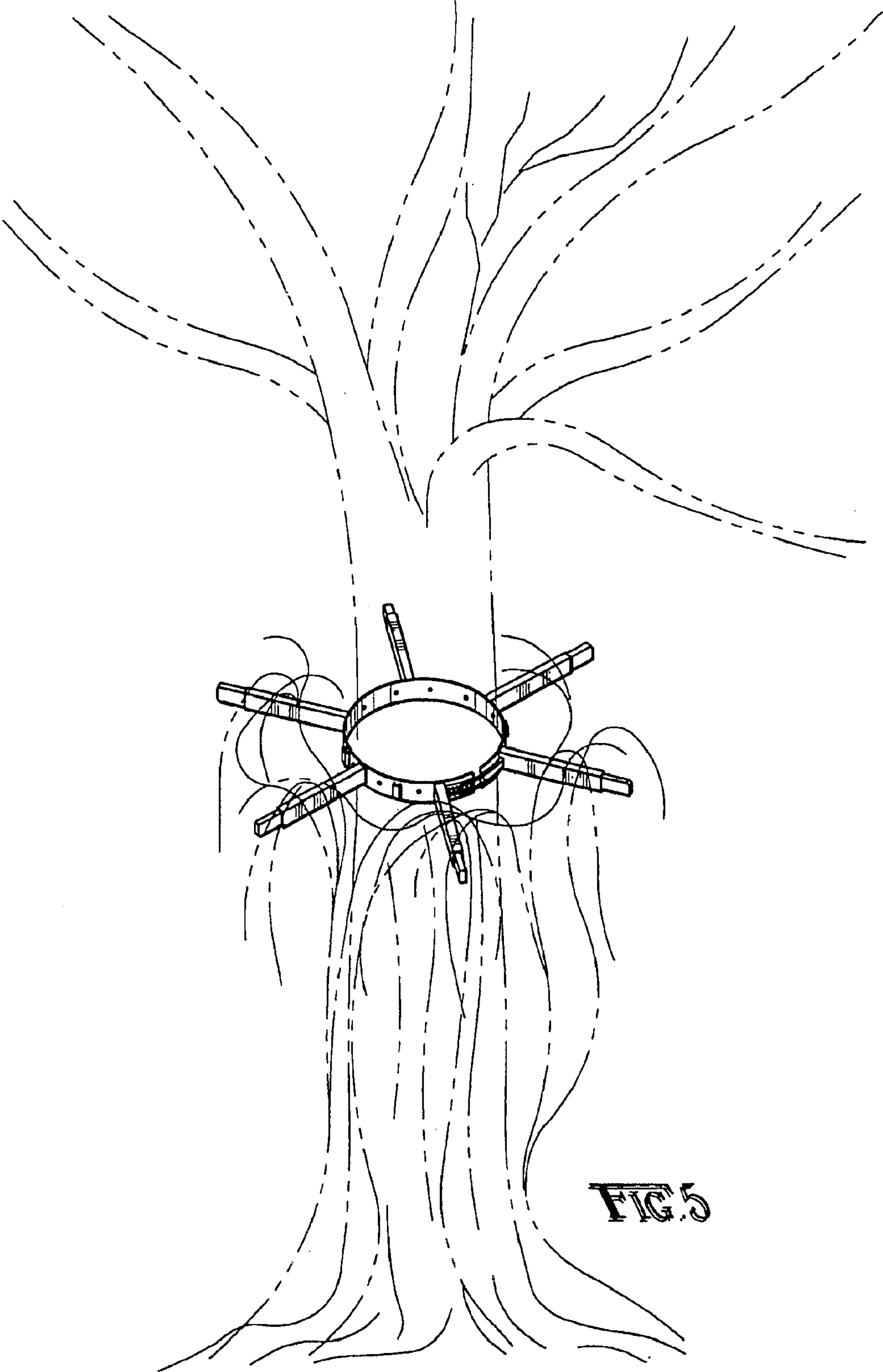


FIG. 5