

US00D506366S

(12) **United States Design Patent**
Lee

(10) **Patent No.:** **US D506,366 S**
(45) **Date of Patent:** **** Jun. 21, 2005**

(54) **WINE RACK**

(75) Inventor: **Shek Tang Lee, Tsuen Wan (HK)**

(73) Assignee: **Hung Sang Metal Plastic Factory Limited, Hong Kong (CN)**

(**) Term: **14 Years**

(21) Appl. No.: **29/203,457**

(22) Filed: **Apr. 15, 2004**

(51) **LOC (8) Cl.** **06-04**

(52) **U.S. Cl.** **D7/701; D7/600.4**

(58) **Field of Search** **D7/701-708, 600.1-600.4; D6/449, 457, 460, 461, 466, 467, 468, 469; 211/71.01, 74, 77, 78, 85.18**

(56) **References Cited**

U.S. PATENT DOCUMENTS

- 1,751,505 A * 3/1930 Borland, Jr. 211/77
- 3,198,338 A * 8/1965 McCormick 211/78
- D427,026 S * 6/2000 Wang D7/701
- 6,439,406 B1 * 8/2002 Duhon 211/77

* cited by examiner

Primary Examiner—Terry A. Wallace
(74) *Attorney, Agent, or Firm*—Harrison & Egbert

(57) **CLAIM**

I claim the ornamental design for a wine rack, as shown and described.

DESCRIPTION

FIG. 1 is a front elevation view of the wine rack showing my design.

FIG. 2 is a side view thereof;

FIG. 3 is an opposite side view thereof;

FIG. 4 is a top plan view thereof;

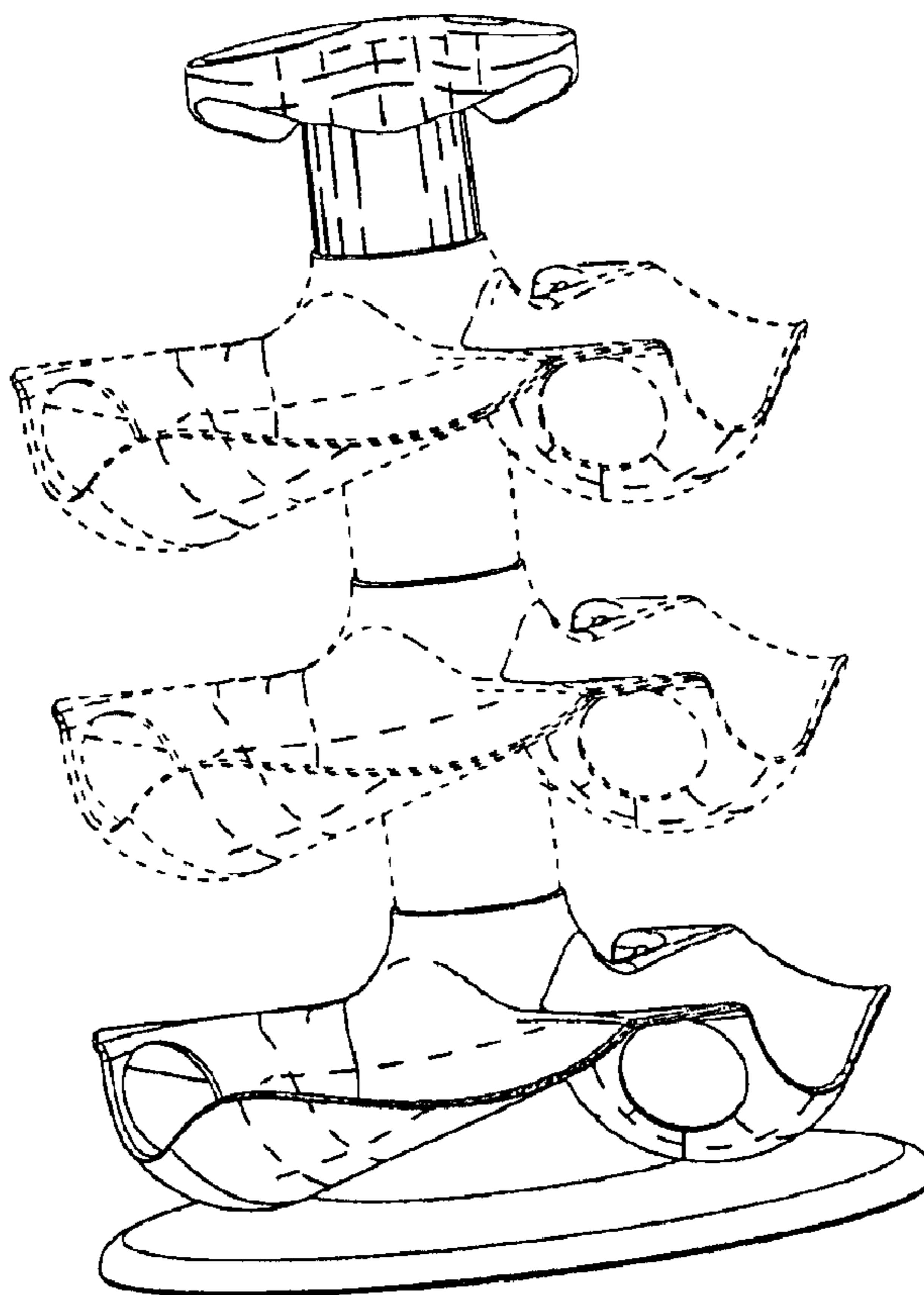
FIG. 5 is a bottom view thereof;

FIG. 6 is a back view thereof; and,

FIG. 7 is a perspective view thereof.

In FIGS. 1, 2, 3, 6 and 7, the solid dashed lines are understood to represent contour lines, and the broken lines are presented only for illustrative purposes.

1 Claim, 7 Drawing Sheets



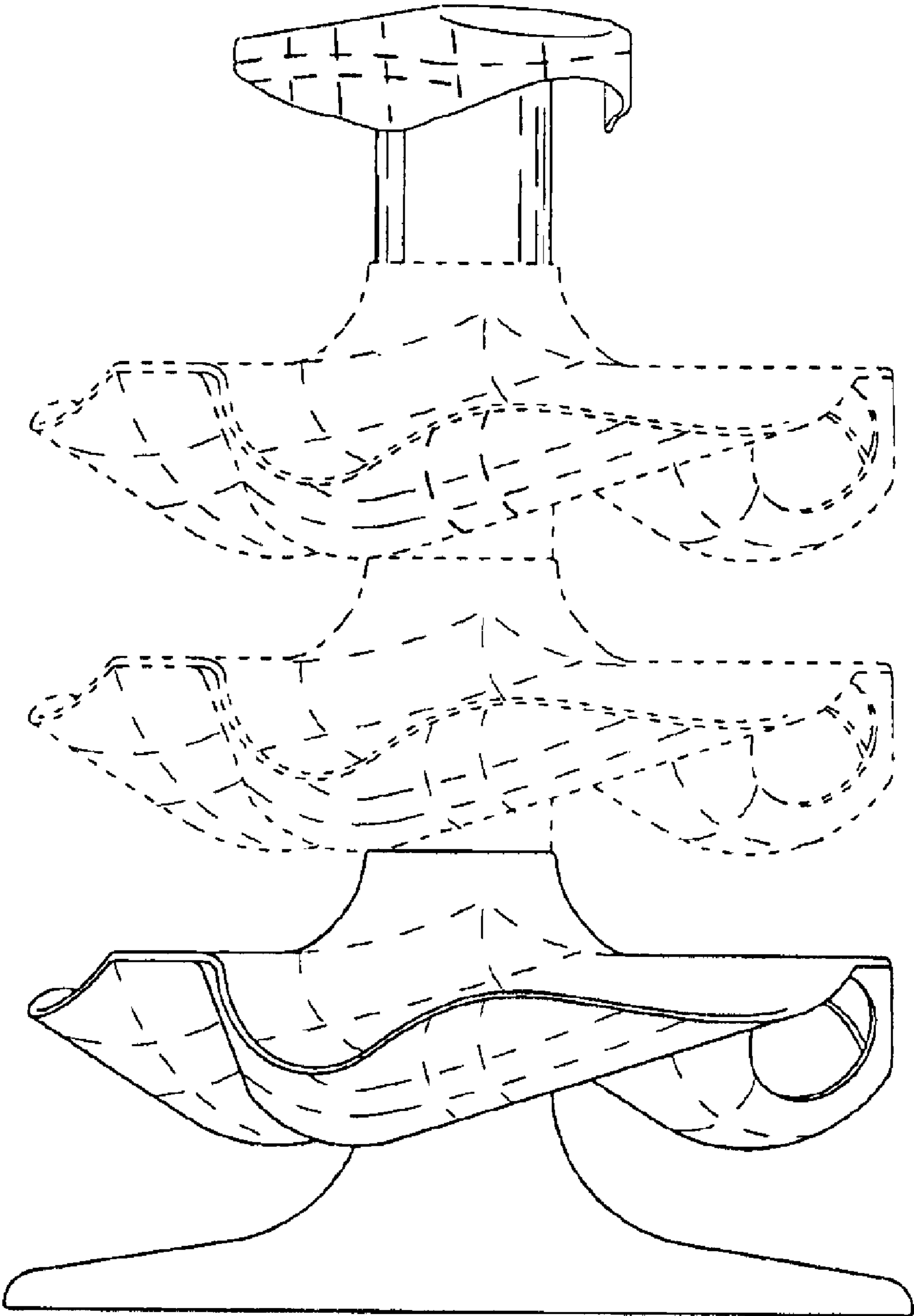


FIG. 1

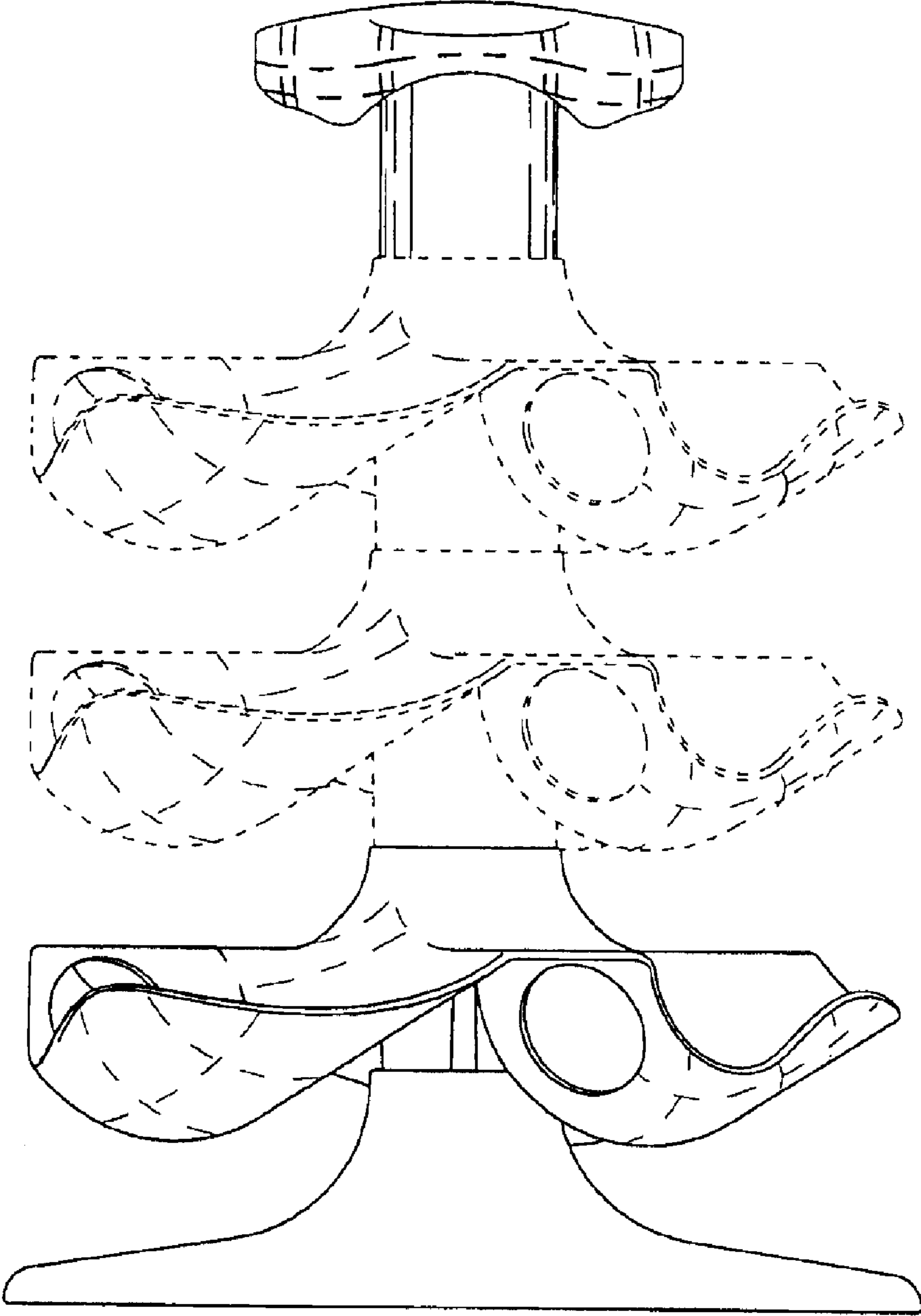


FIG. 2

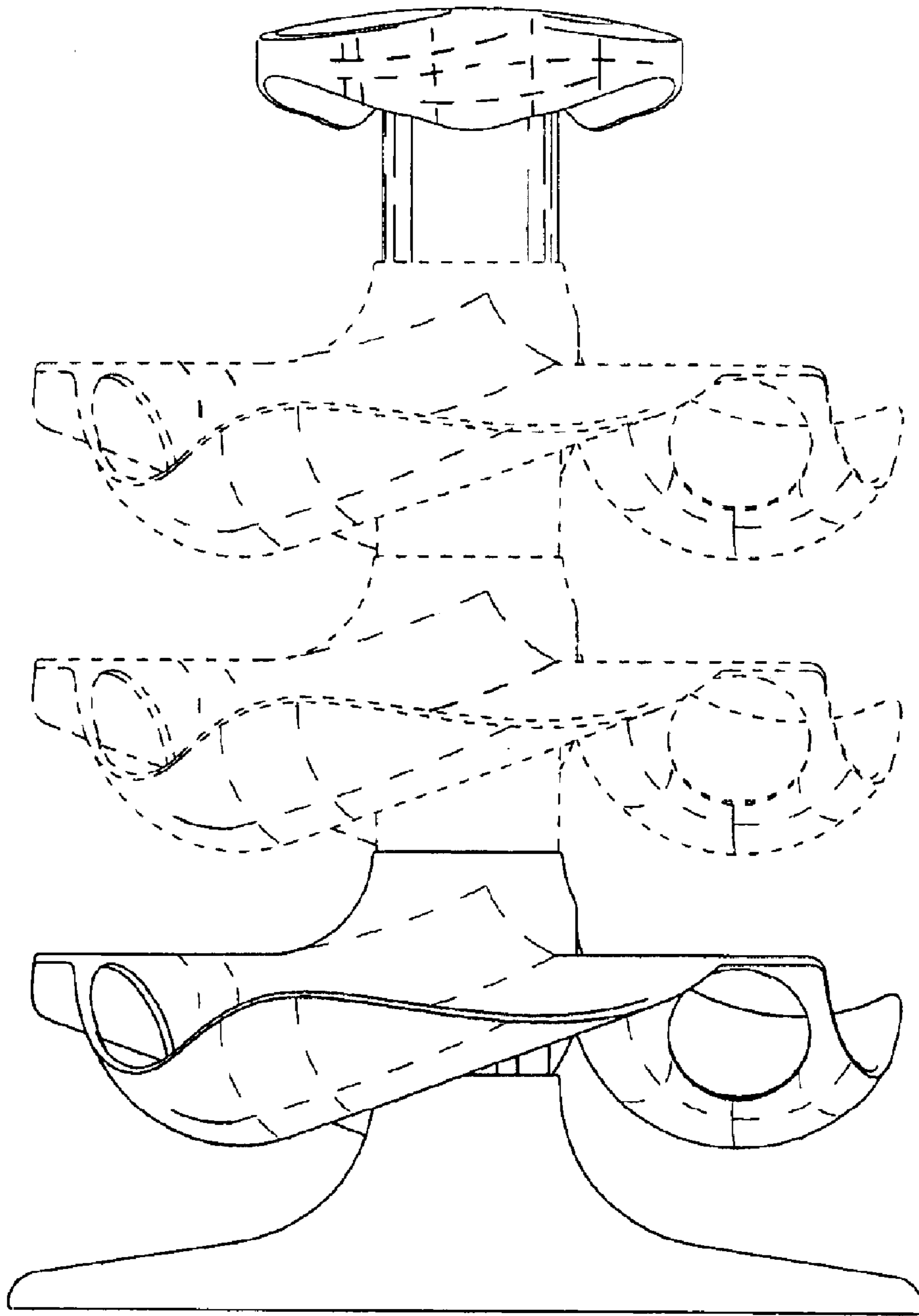


FIG. 3

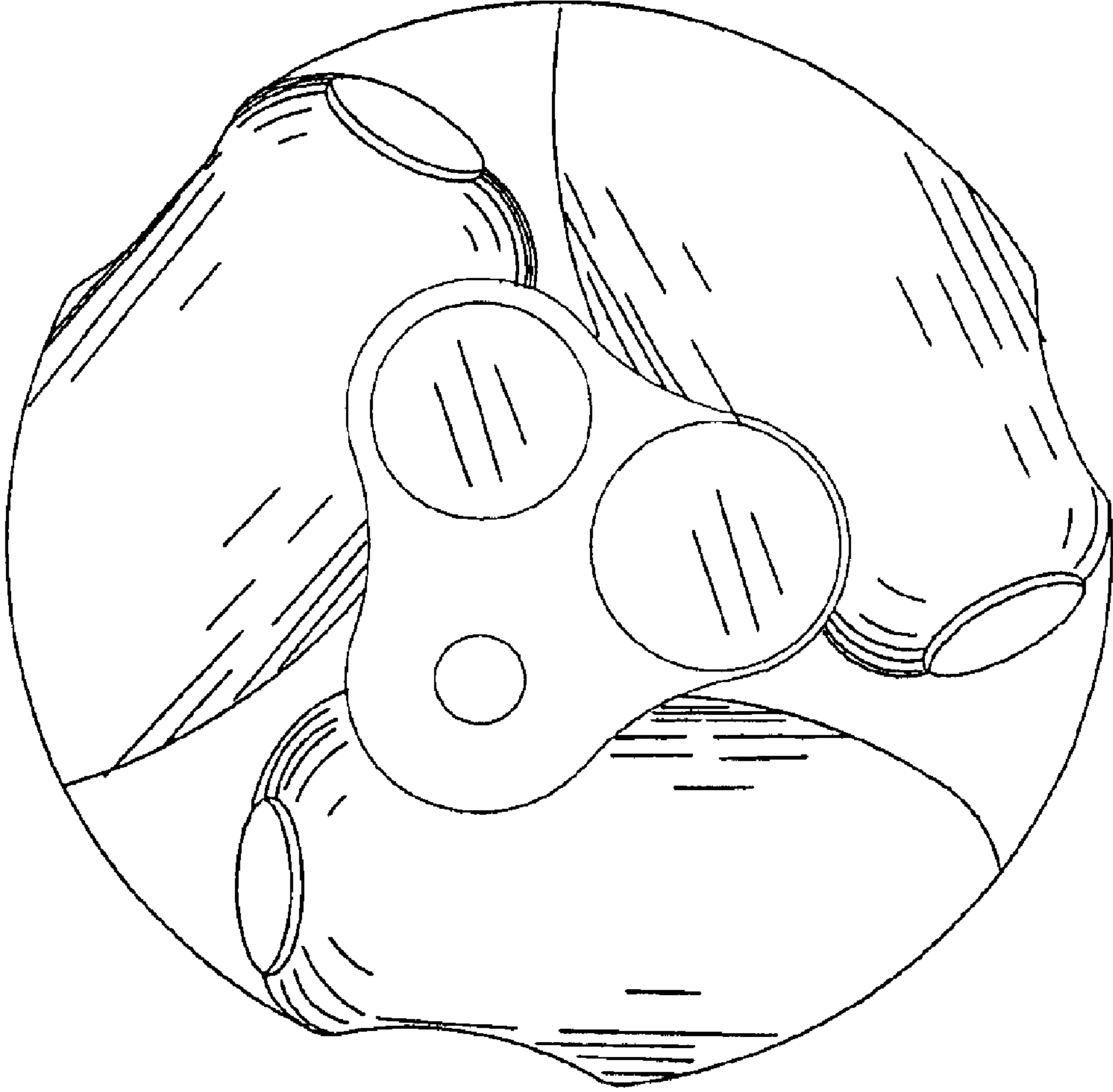


FIG.4

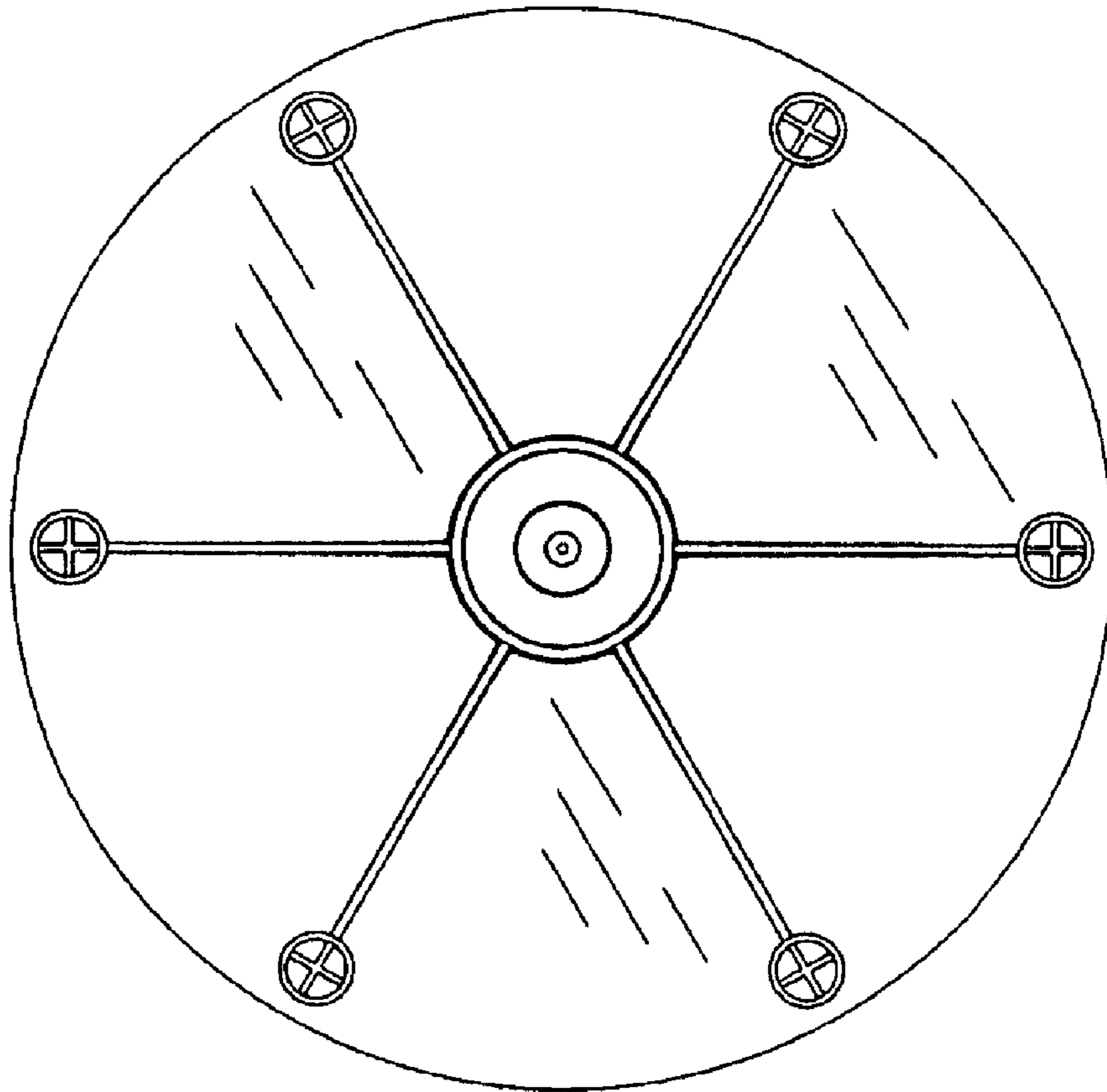


FIG. 5

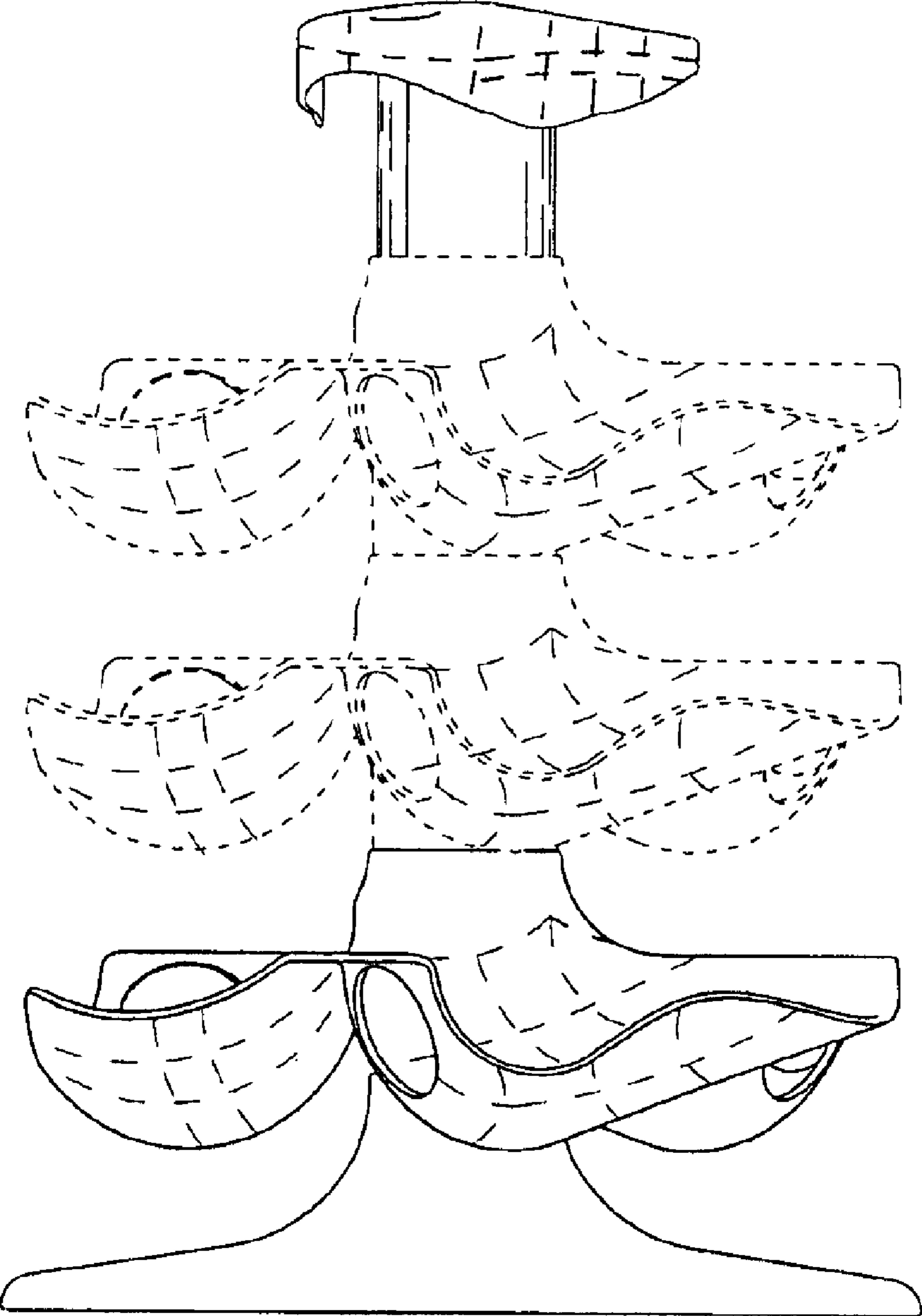


FIG.6

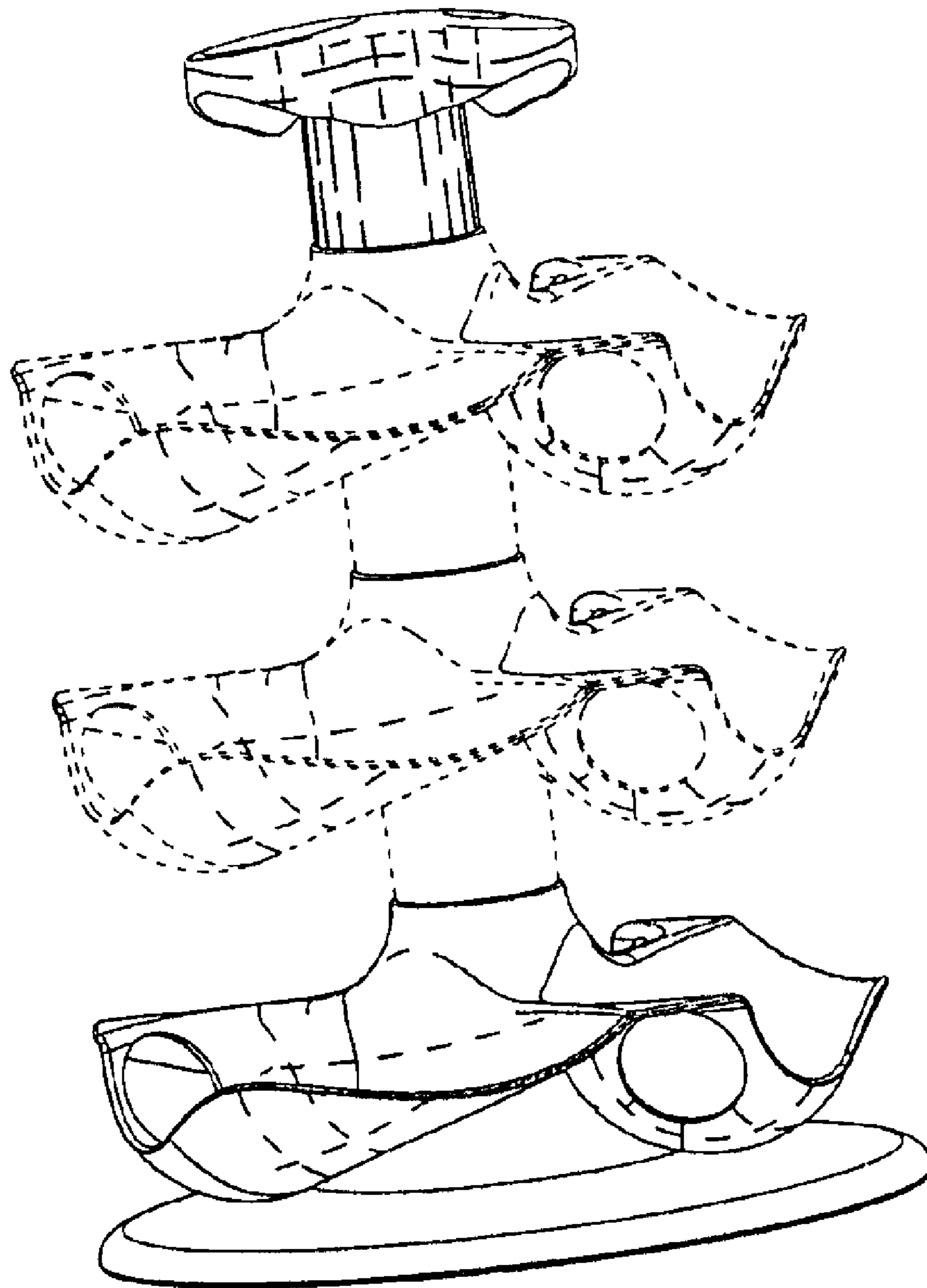


FIG. 7