

US00D506364S

(12) **United States Design Patent**
Pratt

(10) **Patent No.:** **US D506,364 S**
(45) **Date of Patent:** **** Jun. 21, 2005**

(54) **MODULAR WINE RACK COMPONENT**
(75) **Inventor:** **Michael Douglas Pratt, Welland (AU)**
(73) **Assignee:** **Parmac Tooling PTY LTD, Welland (AU)**
(**) **Term:** **14 Years**

D289,716 S * 5/1987 Boland, II D6/465
D424,892 S * 5/2000 Ribet et al. D7/701

* cited by examiner

Primary Examiner—Terry A. Wallace
(74) *Attorney, Agent, or Firm*—Inskeep IP Group, Inc.

(21) **Appl. No.:** **29/201,627**
(22) **Filed:** **Mar. 17, 2004**
(30) **Foreign Application Priority Data**

Sep. 18, 2003 (AU) 153958

(51) **LOC (8) Cl.** **06-04**
(52) **U.S. Cl.** **D7/701**
(58) **Field of Search** D7/701–708, 637–641;
211/71.01, 74, 134, 135; D6/432, 449,
491, 509, 511, 512, 462, 465–467, 474,
477, 479

(57) **CLAIM**

The ornamental design for a modular wine rack component, substantially as shown and described.

DESCRIPTION

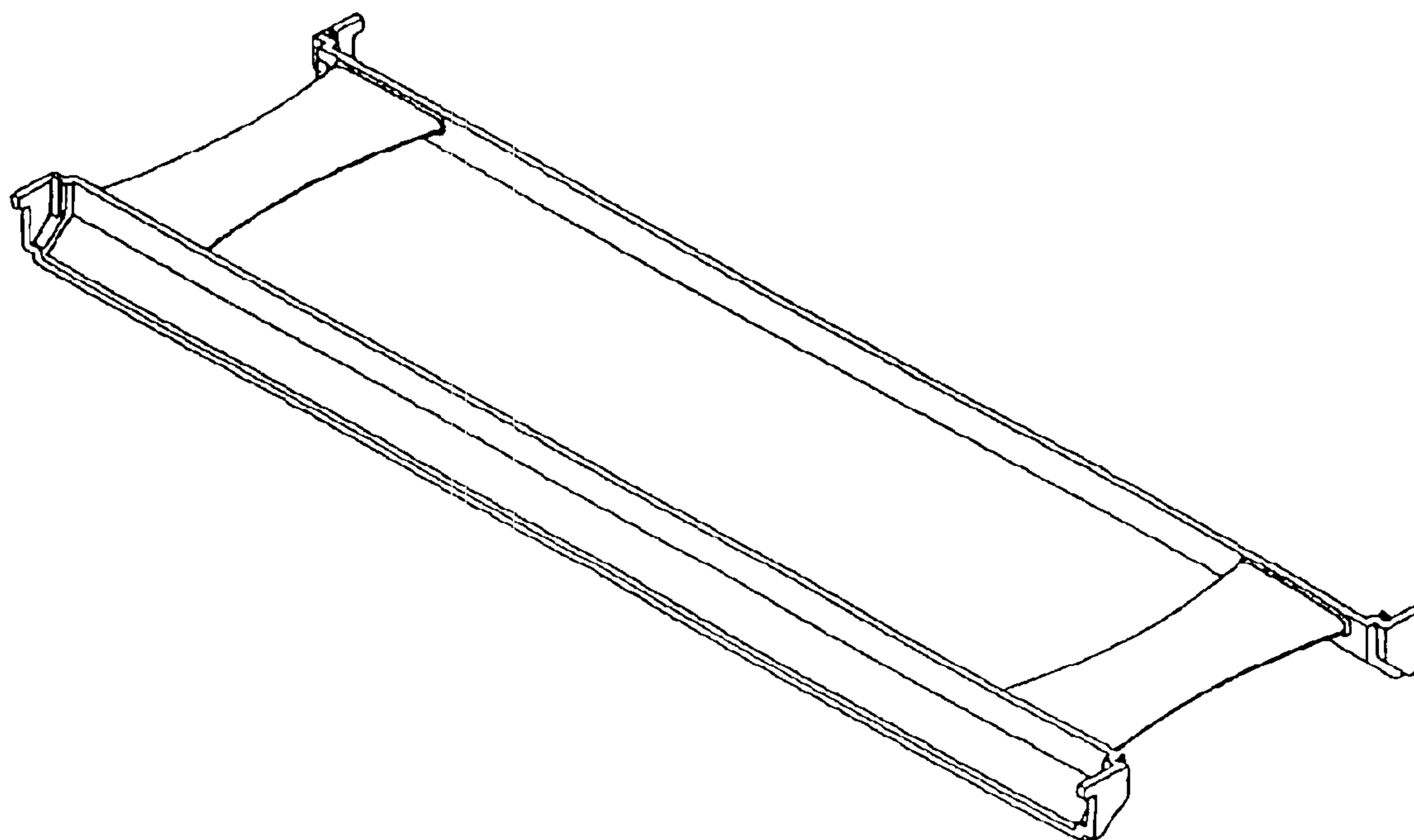
FIG. 1 is a top plan view of a modular wine rack component showing my new design;
FIG. 2 is a side elevational view thereof;
FIG. 3 is an end elevational view thereof; and,
FIG. 4 is a perspective view.

(56) **References Cited**

U.S. PATENT DOCUMENTS

4,422,555 A * 12/1983 Jacobs 211/74

1 Claim, 1 Drawing Sheet



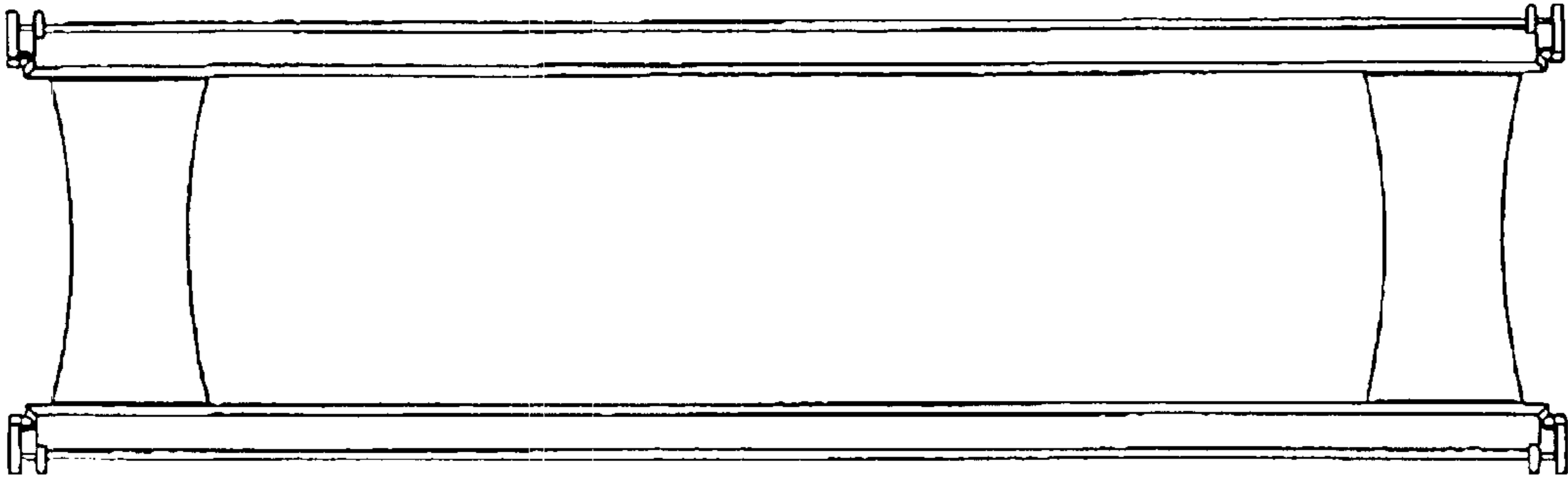


FIG 1

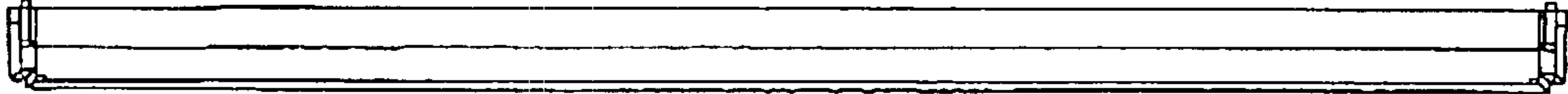


FIG 2

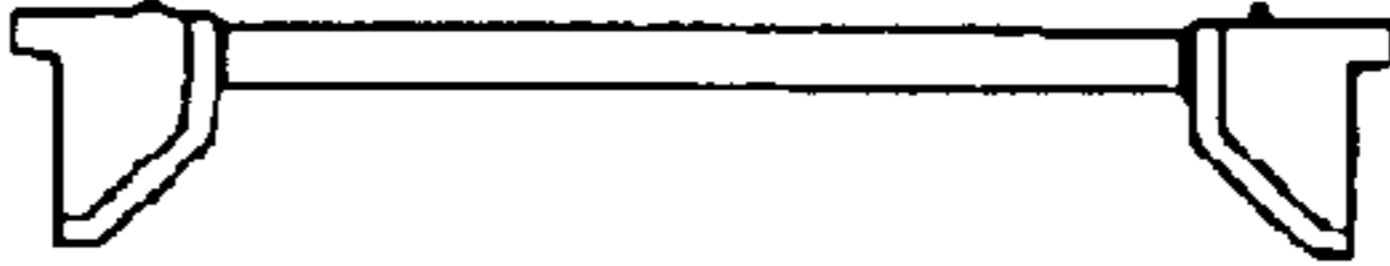


FIG 3

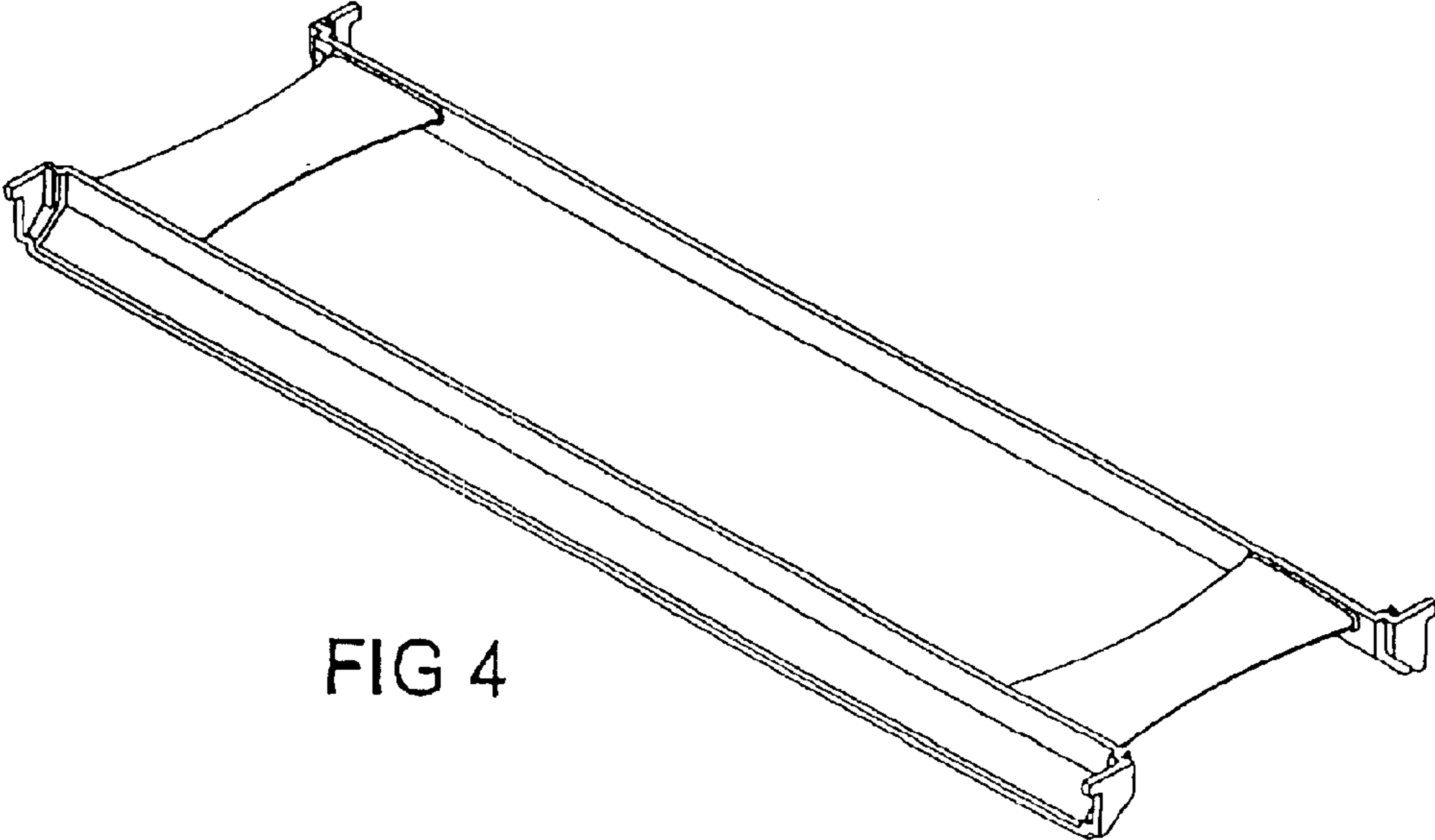


FIG 4