

US00D506356S

(12) **United States Design Patent** (10) **Patent No.:** **US D506,356 S**  
**Norris et al.** (45) **Date of Patent:** **\*\* Jun. 21, 2005**

(54) **BEVERAGEWARE**

(75) Inventors: **Daniel A. Norris**, Williamsville, NY  
 (US); **Ron Lapsker**, Maple (CA)

(73) Assignee: **Prosoft International, Inc.**, St.  
 Michael-Bridgetown (BB)

(\*\*) Term: **14 Years**

(21) Appl. No.: **29/197,278**

(22) Filed: **Jan. 13, 2004**

(51) **LOC (8) Cl.** ..... **07-01**

(52) **U.S. Cl.** ..... **D7/536; D7/532; D7/510**

(58) **Field of Search** ..... D7/532, 523, 300,  
 D7/300.1, 509, 510, 511, 533, 536; 206/218;  
 220/630, 23.86, 713, 703, 718, 705, 710.5,  
 714, 708; 215/396, 398, 307, 11.6; D9/505,  
 500; D26/11

D246,882 S 1/1978 Thrush  
 D250,314 S 11/1978 Elliott et al.  
 D277,821 S 3/1985 Nestrock  
 D321,626 S 11/1991 Kouts  
 D337,526 S 7/1993 Teo  
 D347,763 S 6/1994 Kleckauskas et al.  
 D356,234 S \* 3/1995 Wolfenden ..... D7/536  
 D359,196 S 6/1995 Nichols  
 D362,369 S 9/1995 Bridges  
 D363,415 S \* 10/1995 Carlson ..... D7/536  
 D369,277 S 4/1996 Lin  
 D376,731 S 12/1996 Lin  
 D387,619 S 12/1997 Gross et al.  
 D388,509 S 12/1997 Hsiao  
 D397,905 S 9/1998 Hsu  
 D397,912 S 9/1998 Goessling, Jr.  
 D398,815 S 9/1998 Hatsumoto et al.  
 D400,401 S \* 11/1998 Lynd ..... D7/536  
 D406,011 S 2/1999 Hatsumoto et al.  
 D407,946 S 4/1999 Brewer et al.  
 D408,220 S 4/1999 Chomik  
 D409,441 S 5/1999 Stephenson  
 D410,174 S 5/1999 Sheu

(56) **References Cited**

**U.S. PATENT DOCUMENTS**

D29,252 S 8/1898 Bogert  
 D67,738 S \* 7/1925 Bell ..... D7/532  
 D70,476 S 6/1926 Heisey  
 D73,031 S 7/1927 Heisey  
 D78,171 S \* 4/1929 Stern ..... D7/536  
 D94,000 S 12/1934 Sebring  
 D96,566 S 8/1935 Straus  
 2,028,566 A 1/1936 Seipel et al.  
 D108,220 S 2/1938 Shapiro  
 D108,957 S 3/1938 Kelly  
 D112,560 S \* 12/1938 Cunningham ..... D7/532  
 D112,799 S 1/1939 Watson  
 D118,650 S 1/1940 Sawyer  
 D120,226 S 4/1940 Lundy  
 D124,317 S 12/1940 Lundy  
 D155,289 S 9/1949 Hoople  
 D170,409 S 9/1953 Hare  
 2,717,619 A 9/1955 Whitman  
 2,747,387 A 5/1956 Sweem  
 D196,598 S 10/1963 Lewis  
 D236,936 S 9/1975 Achenbach  
 D243,816 S 3/1977 Achenbach

(Continued)

*Primary Examiner*—M. N. Pandozzi  
 (74) *Attorney, Agent, or Firm*—Hodgson Russ LLP

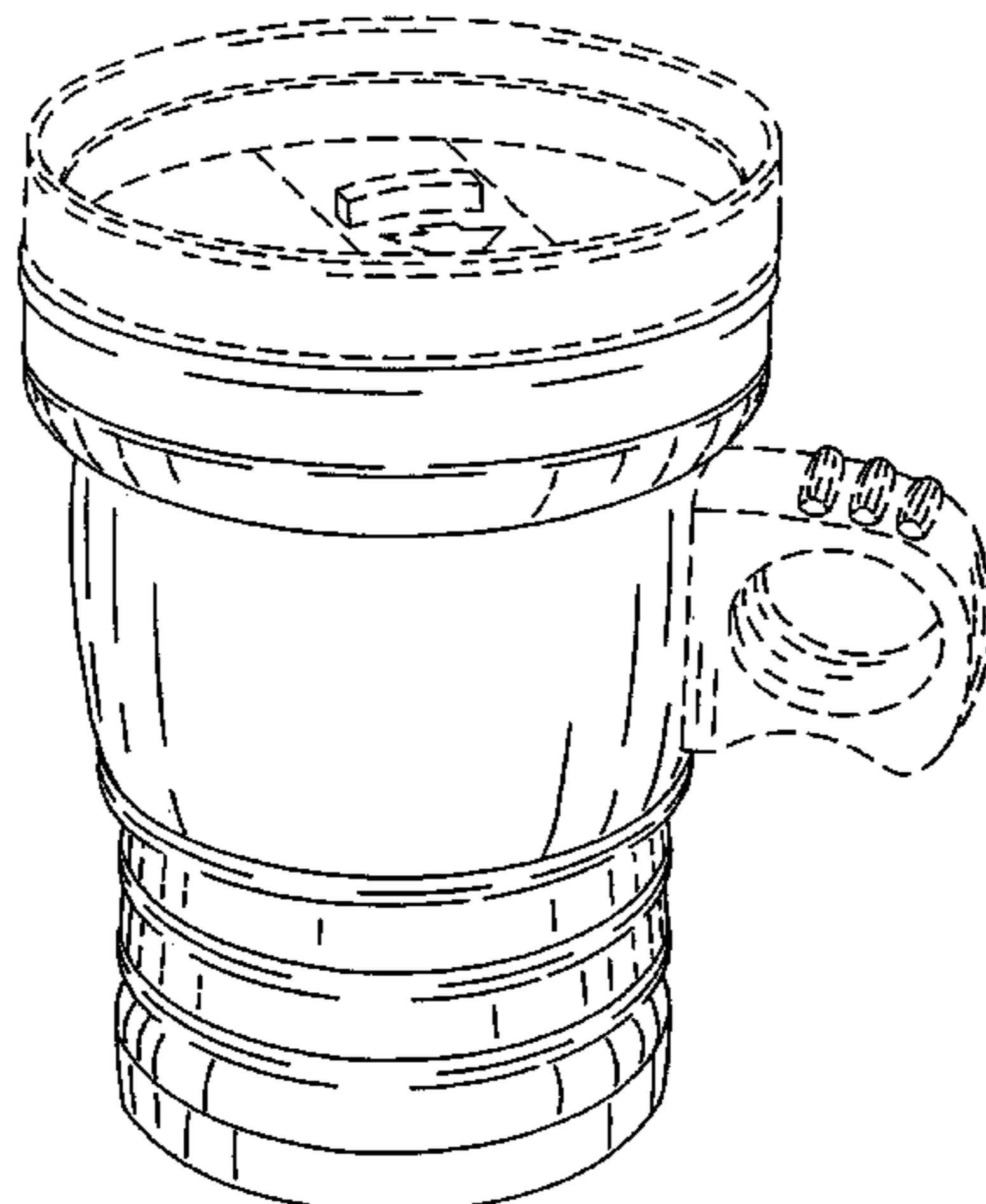
(57) **CLAIM**

The ornamental design for beverageware, as shown and described.

**DESCRIPTION**

FIG. 1 is a perspective view of beverageware showing our new design;  
 FIG. 2 is a right-hand side elevational view thereof, the left-hand side view thereof being a mirror image of the side shown;  
 FIG. 3 is a rear elevational view thereof;  
 FIG. 4 is a front elevational view thereof;  
 FIG. 5 is a top plan view thereof; and,  
 FIG. 6 is a bottom plan view thereof.  
 The broken line showing of a lid in FIG. 1 and a handle in FIGS. 1–6 is for illustrative purposes only and forms no part of the claimed design.

**1 Claim, 3 Drawing Sheets**



# US D506,356 S

Page 2

## U.S. PATENT DOCUMENTS

D412,088 S	7/1999	Otake	
D416,757 S	11/1999	Ginuntoli	
D417,591 S	12/1999	Roehrig	
D422,842 S	4/2000	Freed	
D424,878 S	5/2000	Freed	
D425,758 S	5/2000	Freed	
D426,109 S	6/2000	Freed	
D426,750 S	* 6/2000	Madden-Askew	..... D7/536
D427,489 S	7/2000	Henry	
D427,853 S	7/2000	Kohlhase	
D431,159 S	9/2000	Otake	
D432,359 S	10/2000	Madden-Askew	
D435,195 S	12/2000	Joergensen	
D436,294 S	1/2001	Marck	
D437,185 S	2/2001	Freed	
D439,473 S	3/2001	Lin	
D442,029 S	5/2001	Otake	
D442,436 S	5/2001	Kleckauskas et al.	
D445,001 S	7/2001	Lin	
D451,762 S	12/2001	Tessmer	
D456,214 S	4/2002	Wyche	
D457,395 S	5/2002	Gluck	
D458,082 S	6/2002	Gluck	
D460,324 S	7/2002	Norris et al.	
D460,661 S	7/2002	Norris et al.	
D462,578 S	* 9/2002	Janky	..... D7/533
D462,875 S	9/2002	Norris et al.	
6,450,363 B1	9/2002	Lin	
D467,124 S	12/2002	Janky	
D468,588 S	1/2003	Norris et al.	
6,527,137 B1	3/2003	Kleckauskas et al.	
D472,425 S	4/2003	Hurlbut et al.	
D476,528 S	* 7/2003	Janky et al.	..... D7/536
D479,669 S	9/2003	Norris et al.	
D479,670 S	9/2003	Webb	
D479,671 S	9/2003	Gluck	
D480,916 S	* 10/2003	Norris et al.	..... D7/532
D480,917 S	10/2003	Holsinger et al.	
D480,918 S	10/2003	Belton et al.	
D480,919 S	10/2003	Bin	
D481,590 S	11/2003	Lin	
D481,591 S	11/2003	Lin	
D485,730 S	* 1/2004	Thun	..... D7/511

\* cited by examiner

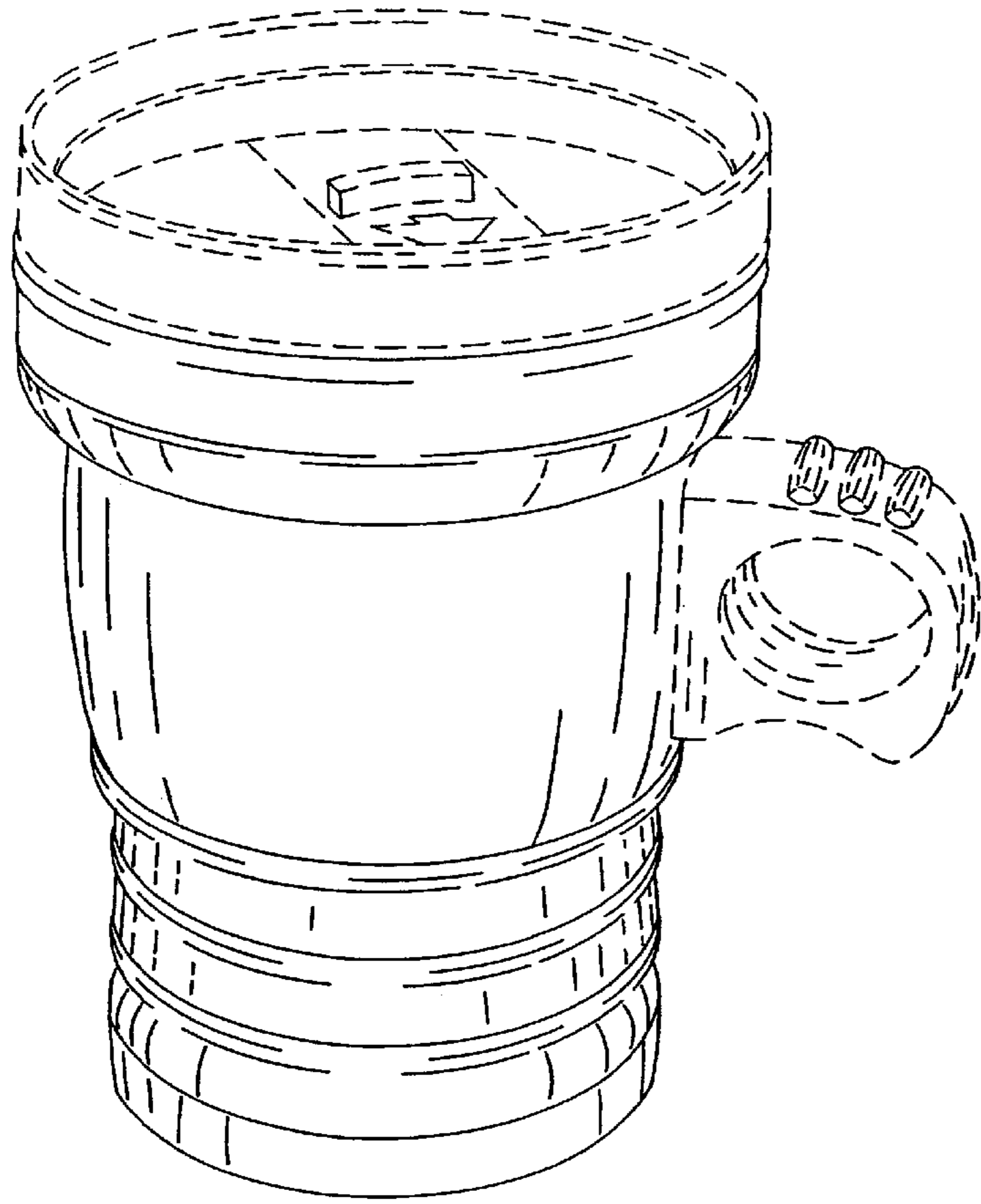


Fig. 1

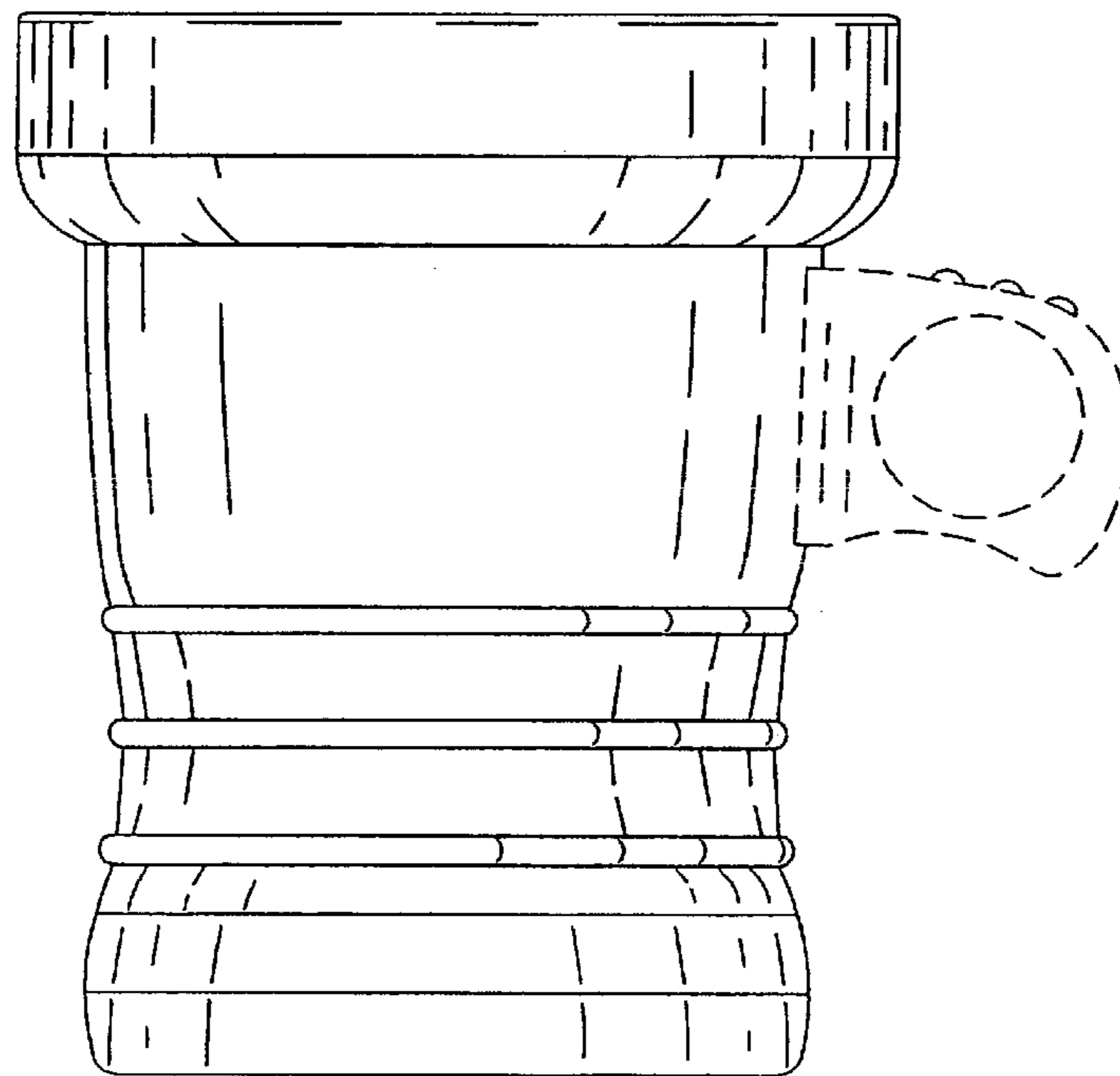


Fig. 2

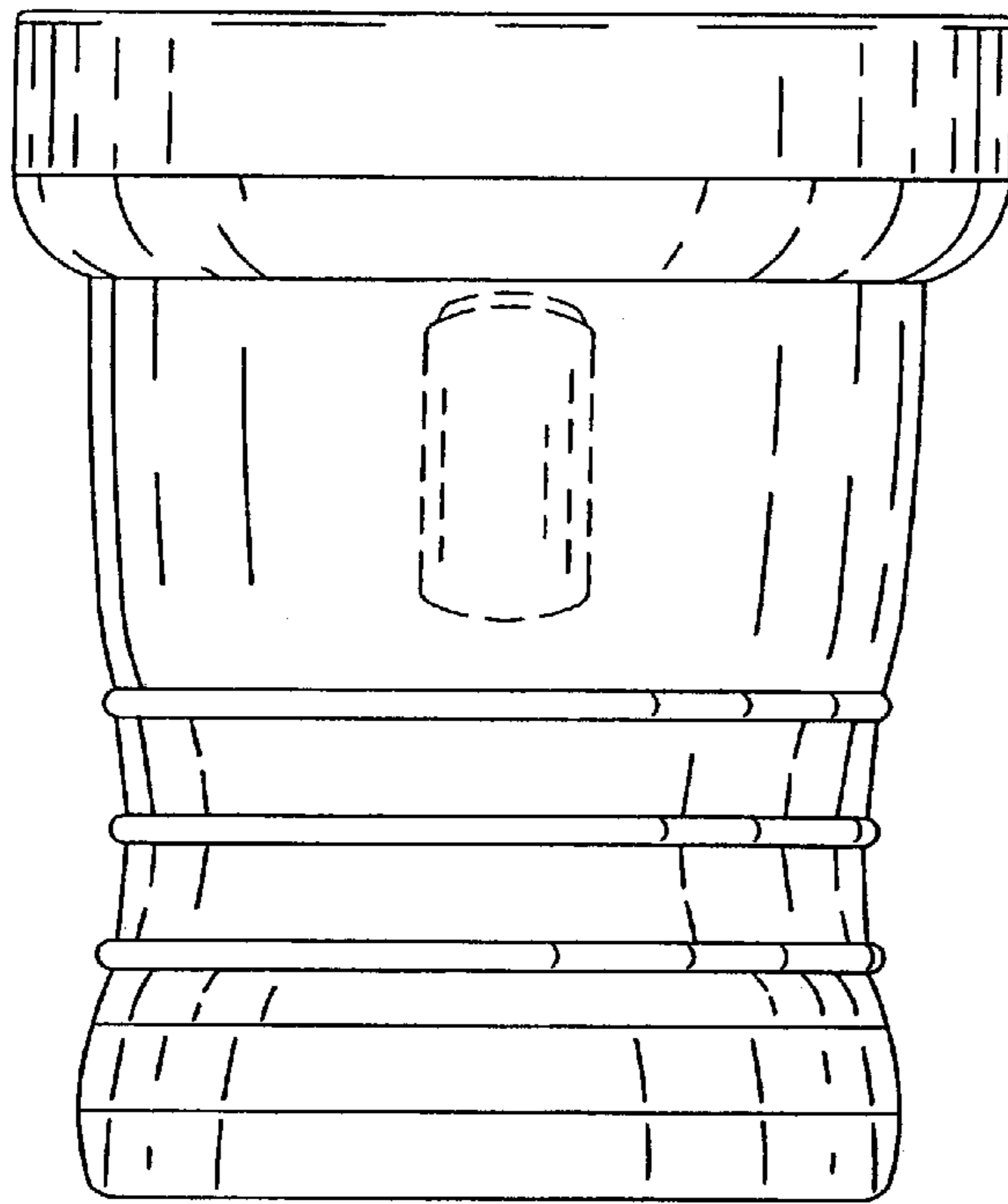


Fig. 3

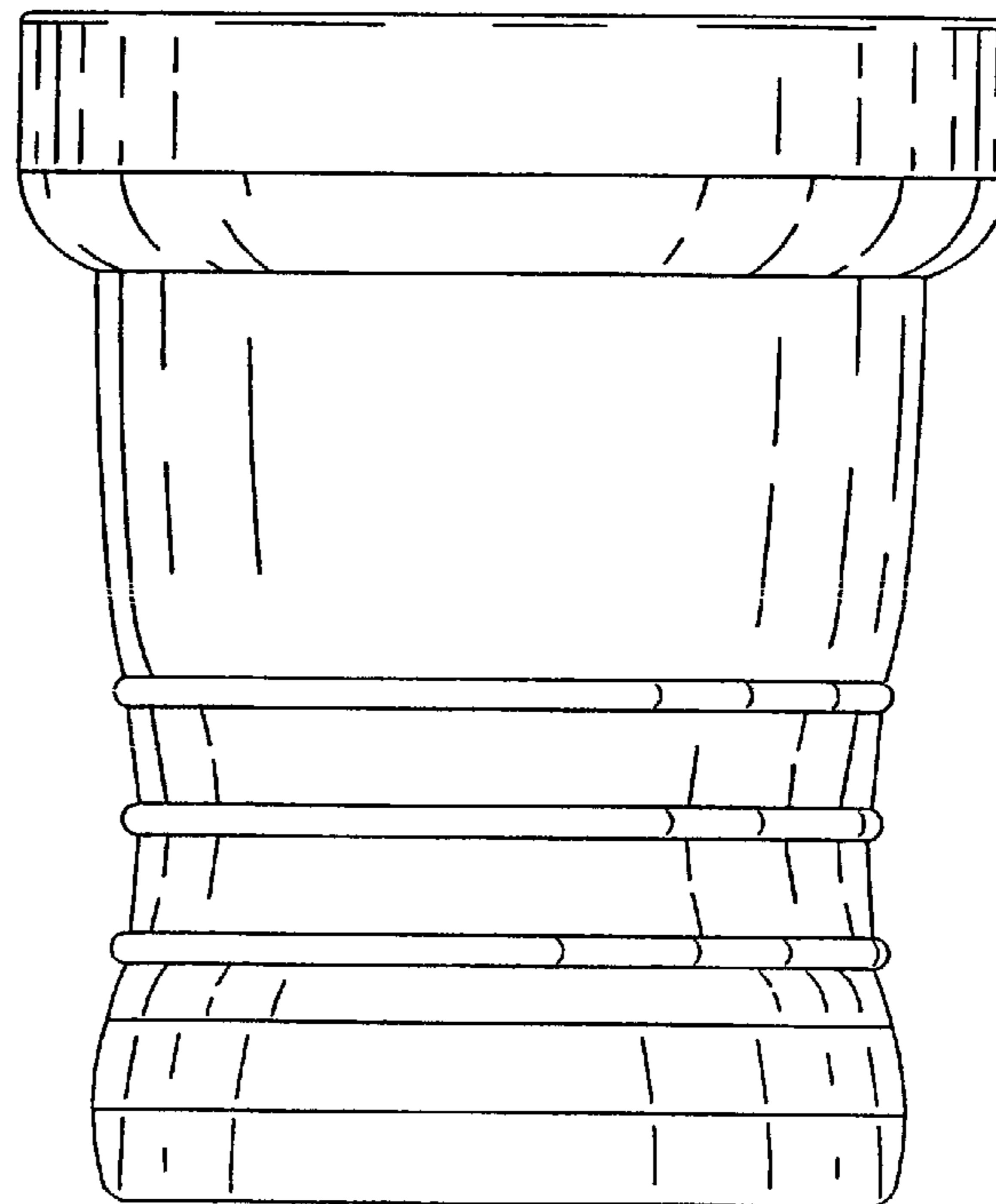


Fig. 4

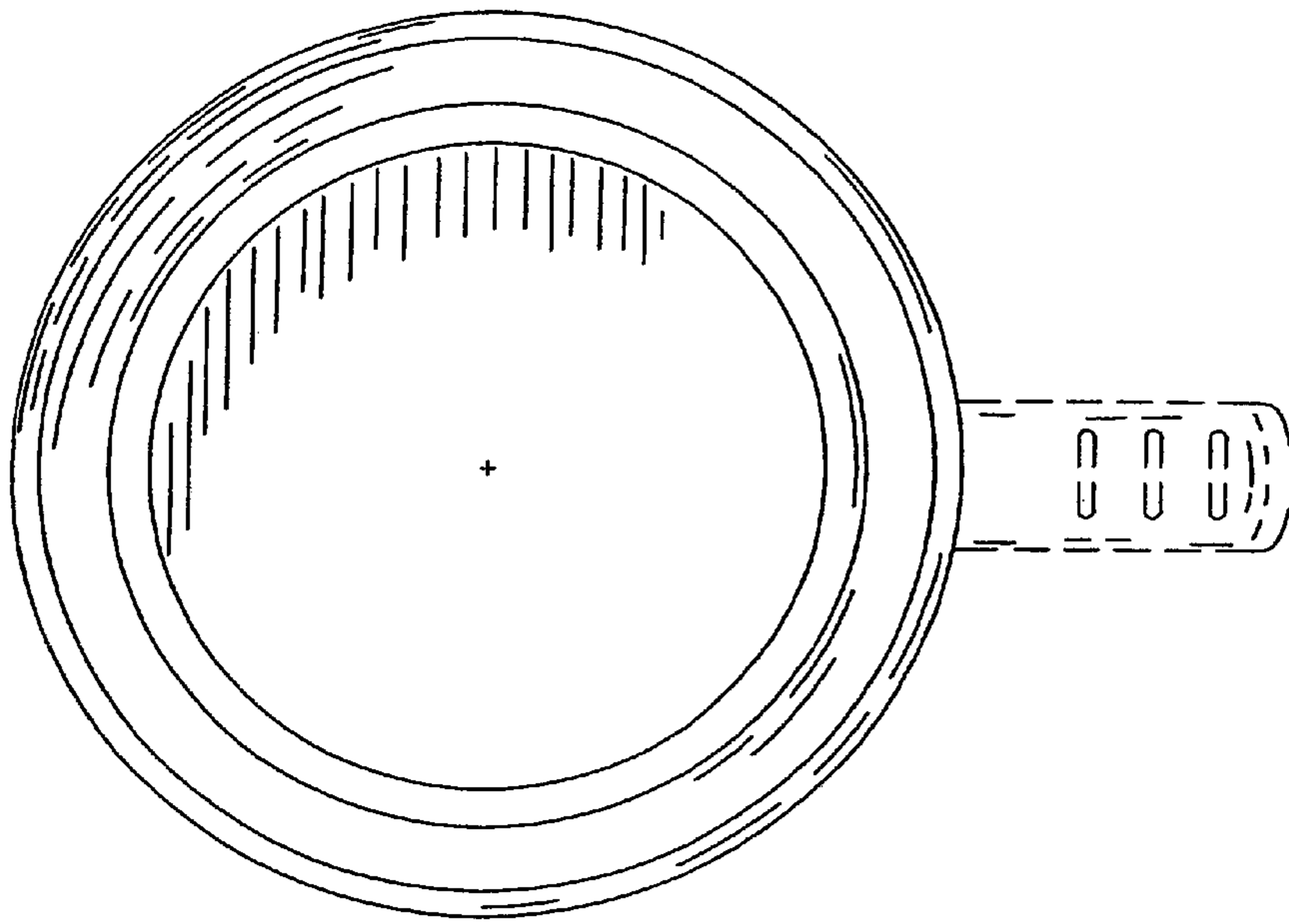


Fig. 5

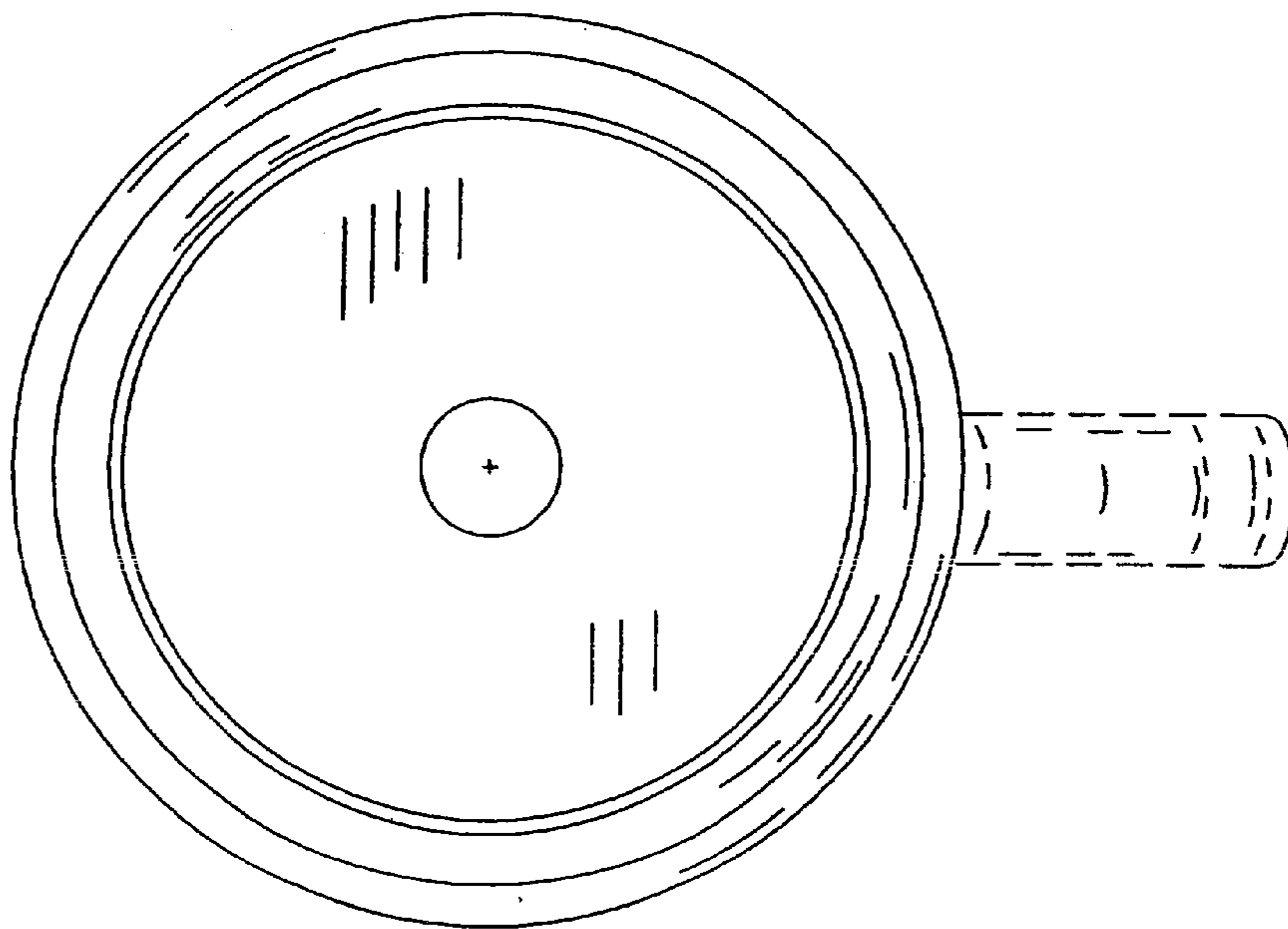


Fig. 6