

US00D506354S

(12) **United States Design Patent**  
**Nguyen**

(10) **Patent No.: US D506,354 S**

(45) **Date of Patent: \*\* Jun. 21, 2005**

(54) **MIXER PADDLE**

(76) **Inventor: Trong Nguyen**, 8109-1 Fruitridge Rd.,  
Sacramento, CA (US) 95820

(\*\*) **Term: 14 Years**

(21) **Appl. No.: 29/177,878**

(22) **Filed: Mar. 17, 2003**

(51) **LOC (8) Cl. .... 31-00**

(52) **U.S. Cl. .... D7/412**

(58) **Field of Search** ..... D7/376-385, 412,  
D7/413; 366/64-67, 98, 100, 146, 192,  
241, 247, 279, 282, 318, 325.3, 325.92-325.94,  
327.2, 328.2, 329.1, 330.1-330.5, 342,  
343; 241/292.1, 282.1, 282.2, 37.5; 219/209

(56) **References Cited**

**U.S. PATENT DOCUMENTS**

2,046,784 A \* 7/1936 Krause ..... 219/209  
D119,841 S \* 4/1940 Anstice ..... D7/412  
D119,842 S \* 4/1940 Anstice ..... D7/412

D134,247 S \* 11/1942 Moeller ..... D7/412  
5,934,802 A \* 8/1999 Xie ..... 366/100  
D438,052 S \* 2/2001 Po-Hei ..... D7/379

\* cited by examiner

*Primary Examiner*—Caron D. Veynar

(74) *Attorney, Agent, or Firm*—Mark C. Jacobs

(57) **CLAIM**

The ornamental design for a mixer paddle, as shown and described.

**DESCRIPTION**

FIG. 1 is a front perspective view of a mixer paddle showing my new design;

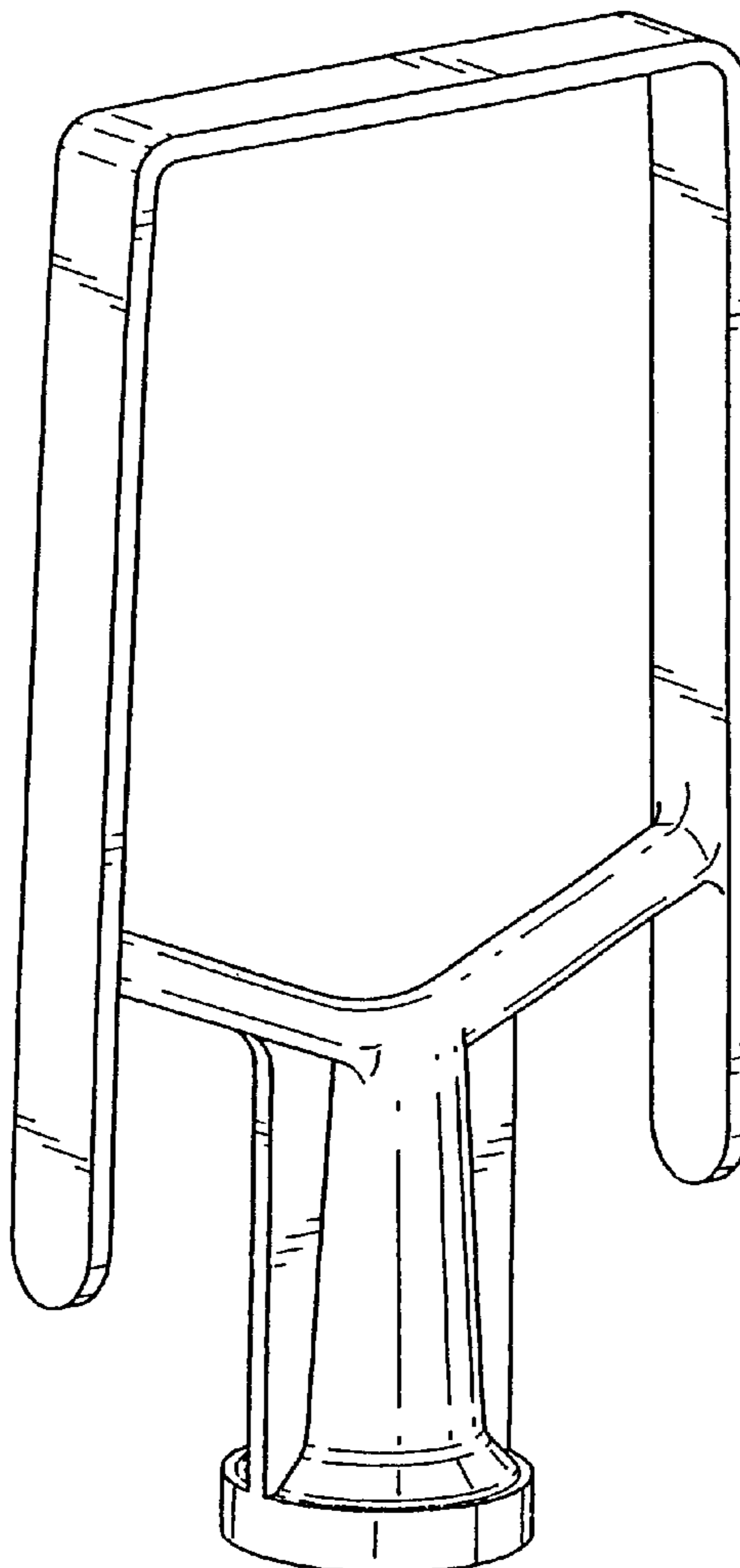
FIG. 2 is a front elevational view, the rear elevation view is identical;

FIG. 3 is a top plan view thereof;

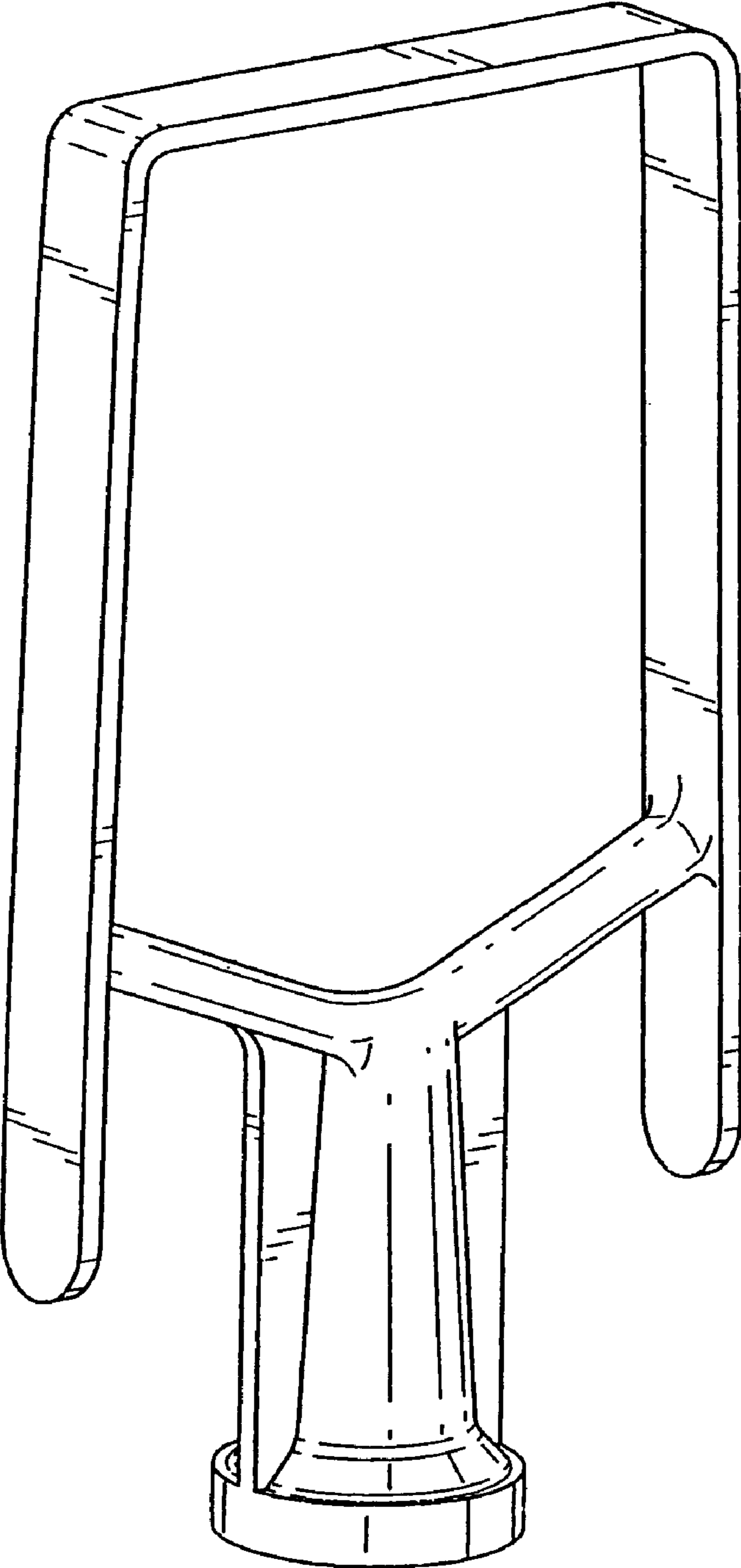
FIG. 4 is a bottom plan view thereof; and,

FIG. 5 is a left side elevation view, the right side view is identical.

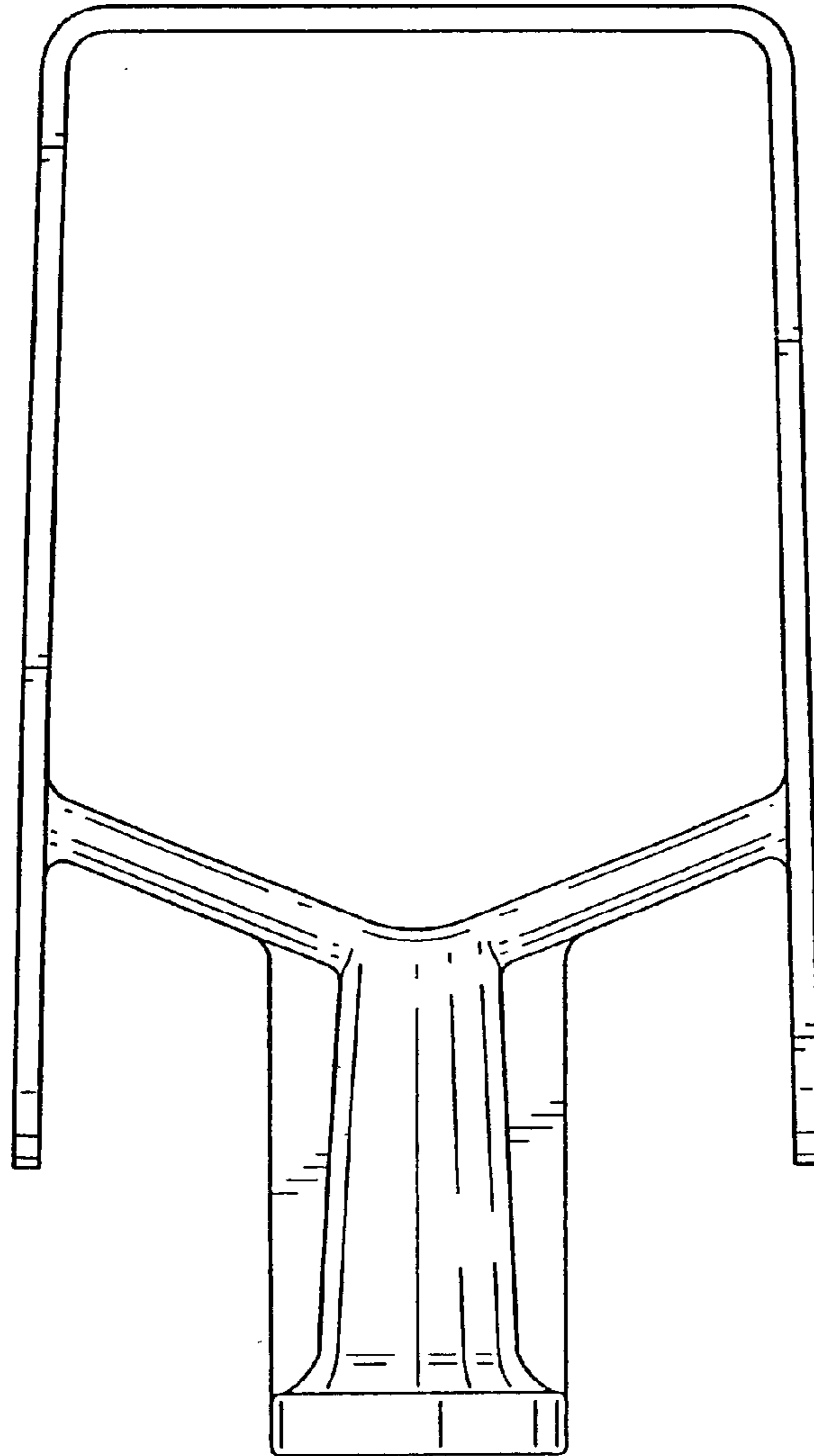
**1 Claim, 3 Drawing Sheets**



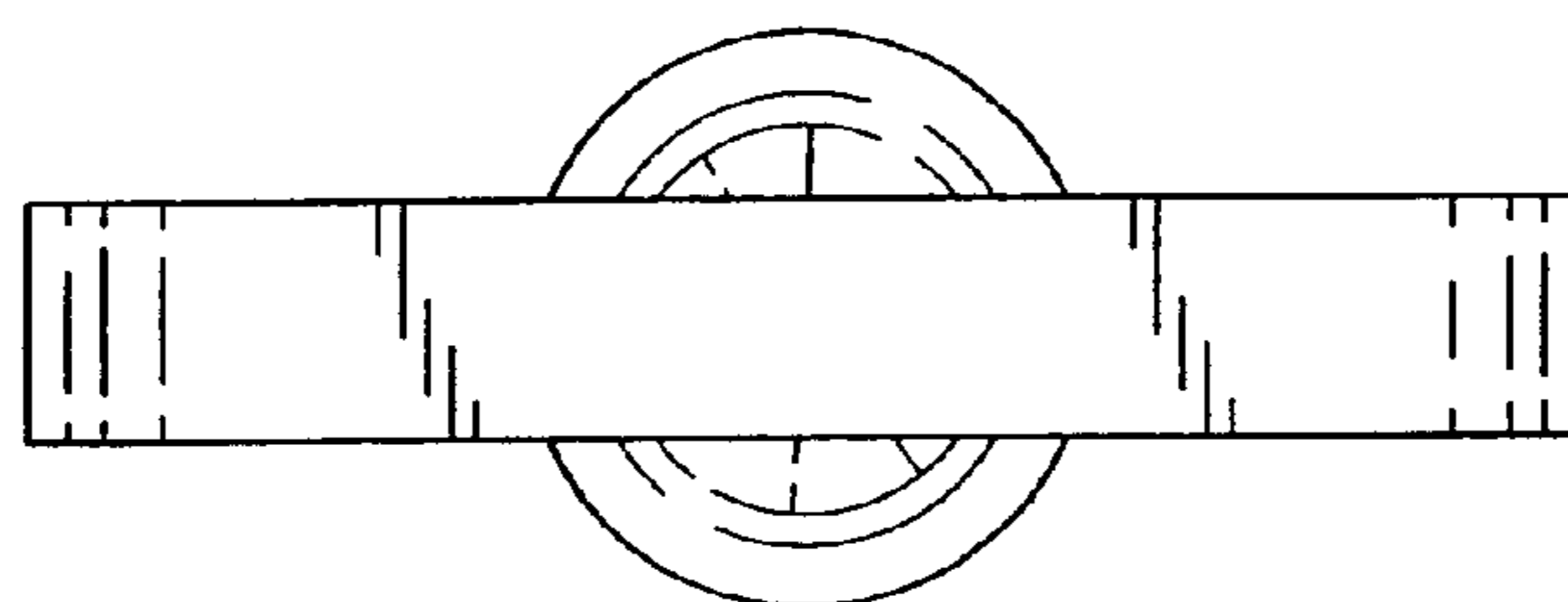
**FIG. 1**



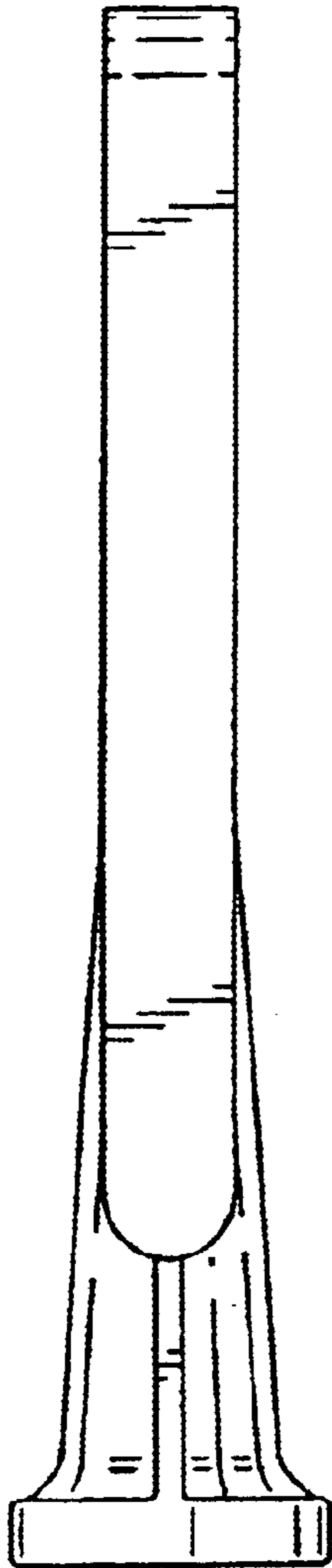
**FIG. 2**



**FIG. 3**



**FIG. 5**



**FIG. 4**

