



US00D506352S

(12) **United States Design Patent**
Dow et al.

(10) **Patent No.: US D506,352 S**
(45) **Date of Patent: ** Jun. 21, 2005**

(54) **COMBINATION ROASTING UTENSIL AND LIQUID INFUSER**

(75) Inventors: **Shannon Dow**, Berkeley, CA (US);
Sharon Ellen Kallenberger, Alameda, CA (US)

(73) Assignee: **Charcoal Companion Incorporated**, Oakland, CA (US)

(**) Term: **14 Years**

(21) Appl. No.: **29/212,967**

(22) Filed: **Sep. 10, 2004**

(51) **LOC (8) Cl.** **07-02**

(52) **U.S. Cl.** **D7/361**

(58) **Field of Search** D7/354, 357, 359,
D7/360, 361, 409; 99/345, 347, 419, 422,
448; 219/732, 735; D28/61

(56) **References Cited**

U.S. PATENT DOCUMENTS

2,362,921	A	*	11/1944	Palensky	99/419
2,821,904	A		2/1958	Arcabosso		
5,301,602	A		4/1994	Ryczek		
5,575,198	A		11/1996	Lowery		
6,062,131	A		5/2000	Holland		

6,125,739	A	*	10/2000	Jernigan	99/345
6,467,399	B1	*	10/2002	Boutte	99/347
6,487,964	B2	*	12/2002	Snoke et al.	99/345
6,502,501	B1	*	1/2003	Simon	99/345
D493,256	S	*	7/2004	Kim	D28/61
6,779,438	B1		8/2004	Citrynell et al.		
2002/0100371	A1	*	8/2002	Snoke et al.	99/419
2002/0195001	A1	*	12/2002	Hester	99/345

* cited by examiner

Primary Examiner—Caron D. Veynar

Assistant Examiner—Vy Nguyen

(74) *Attorney, Agent, or Firm*—Donald L. Beeson

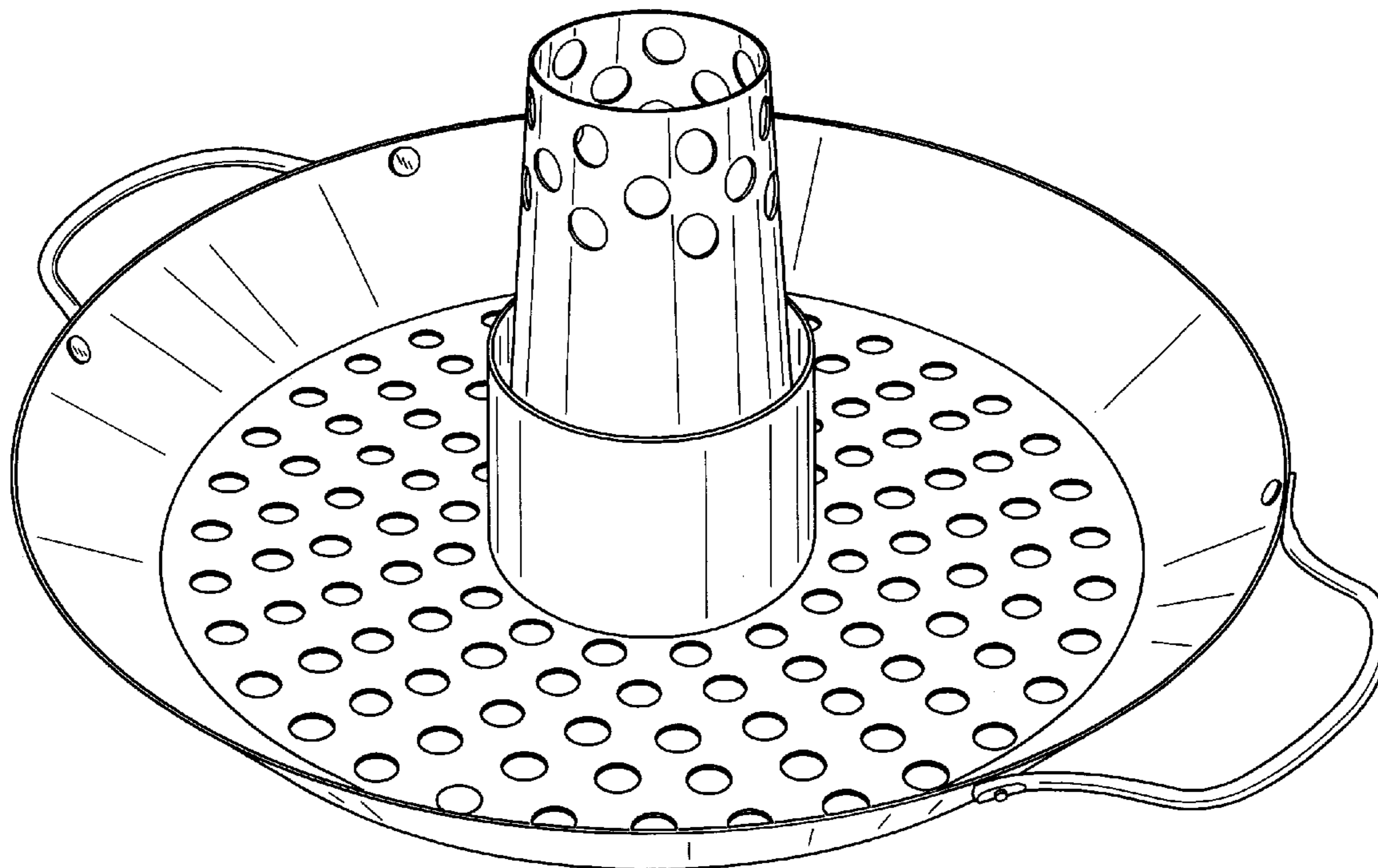
(57) **CLAIM**

The ornamental design for a combination roasting utensil and liquid infuser, as shown and described.

DESCRIPTION

FIG. 1 is a top perspective view of a combination roasting utensil and liquid infuser showing our new design; FIG. 2 is a front elevational view thereof; FIG. 3 is a rear elevational view thereof; FIG. 4 is a left side elevational view thereof; FIG. 5 is a right side elevational view thereof; FIG. 6 is a top plan view thereof; and, FIG. 7 is a bottom plan view thereof.

1 Claim, 5 Drawing Sheets



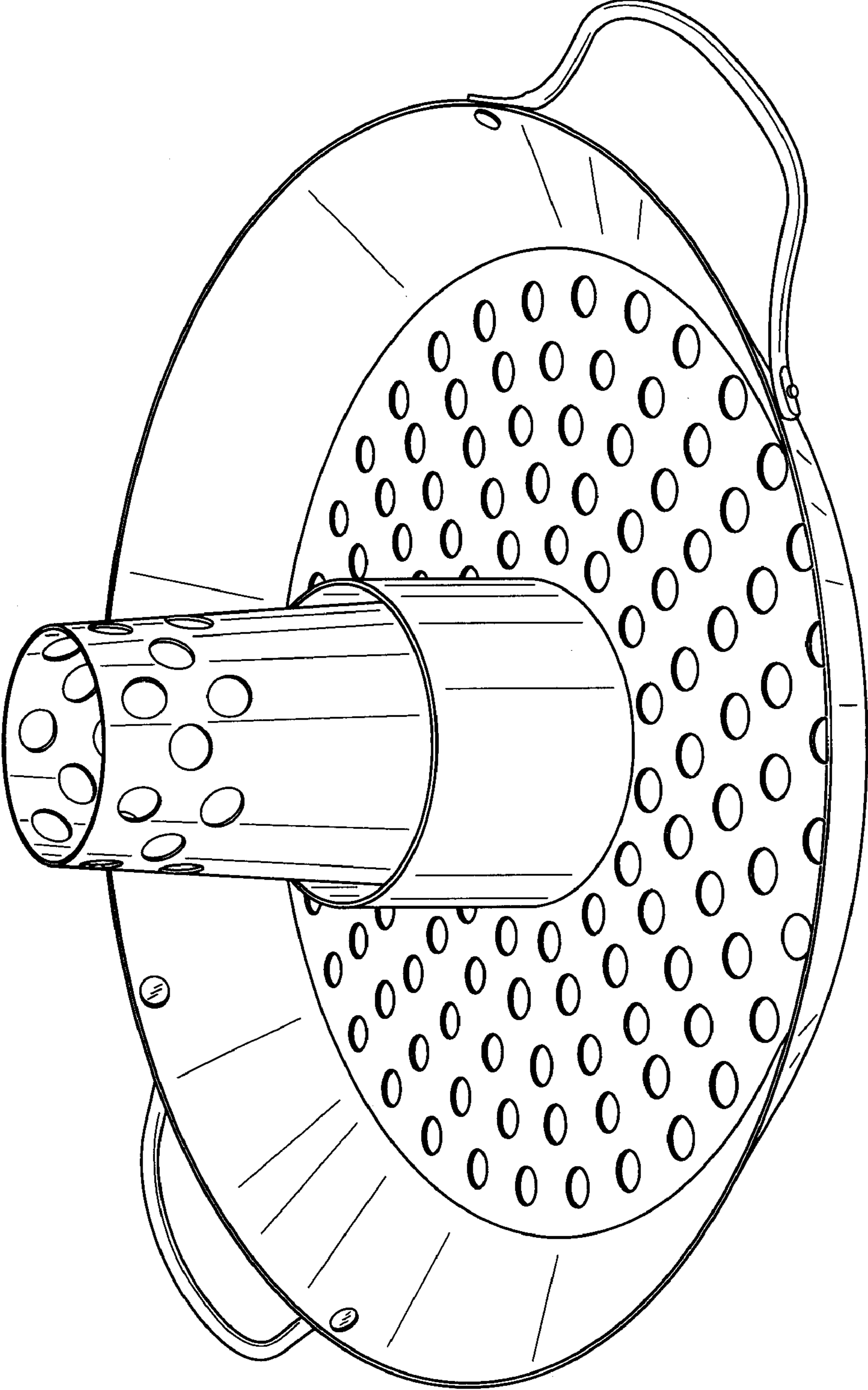
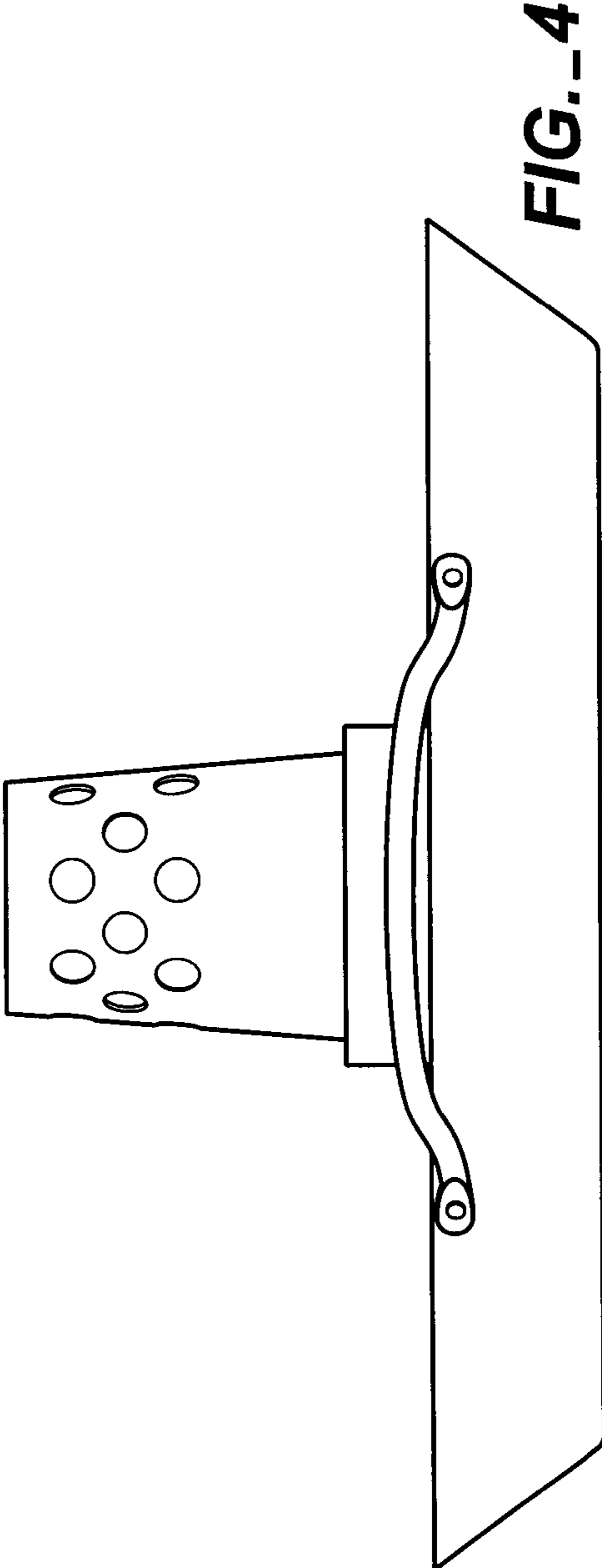
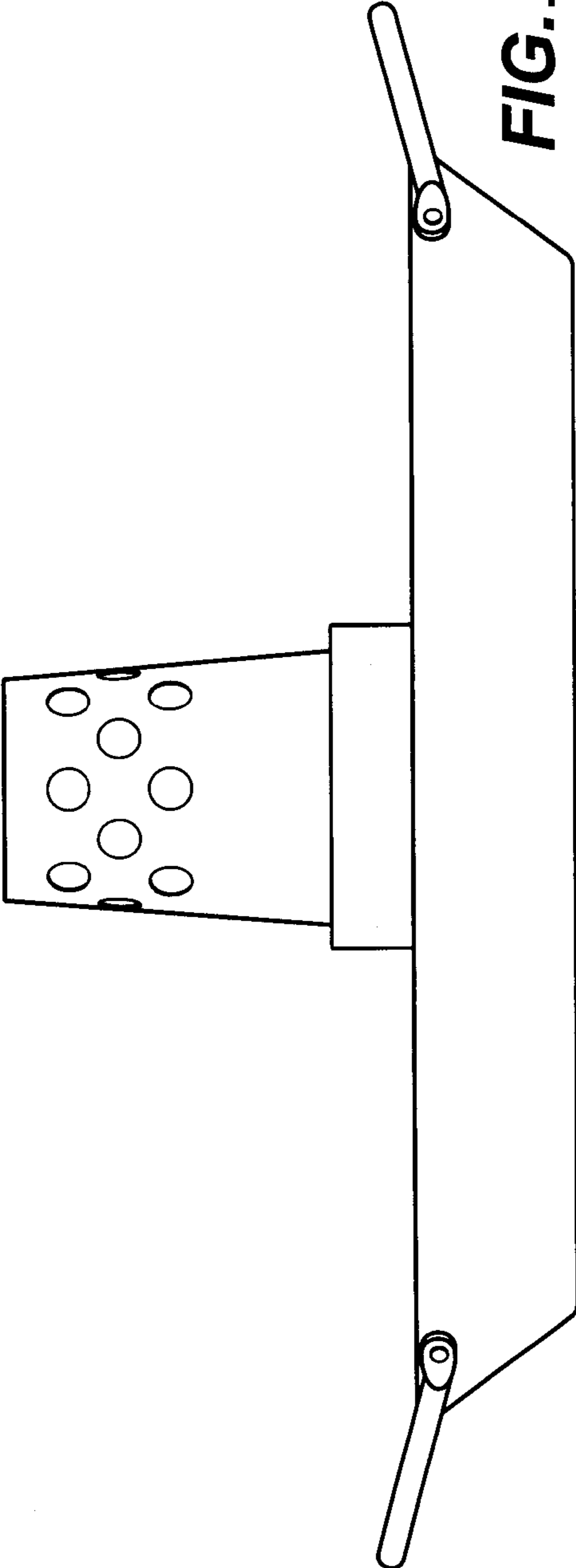
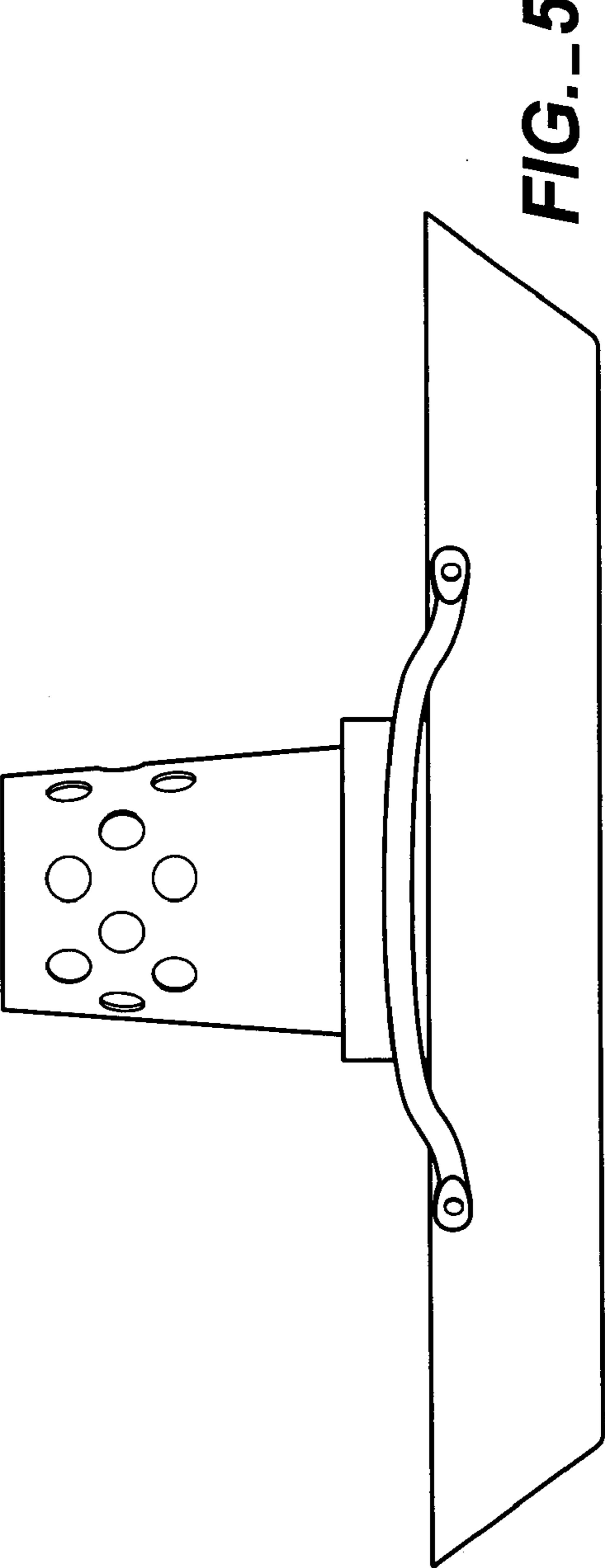
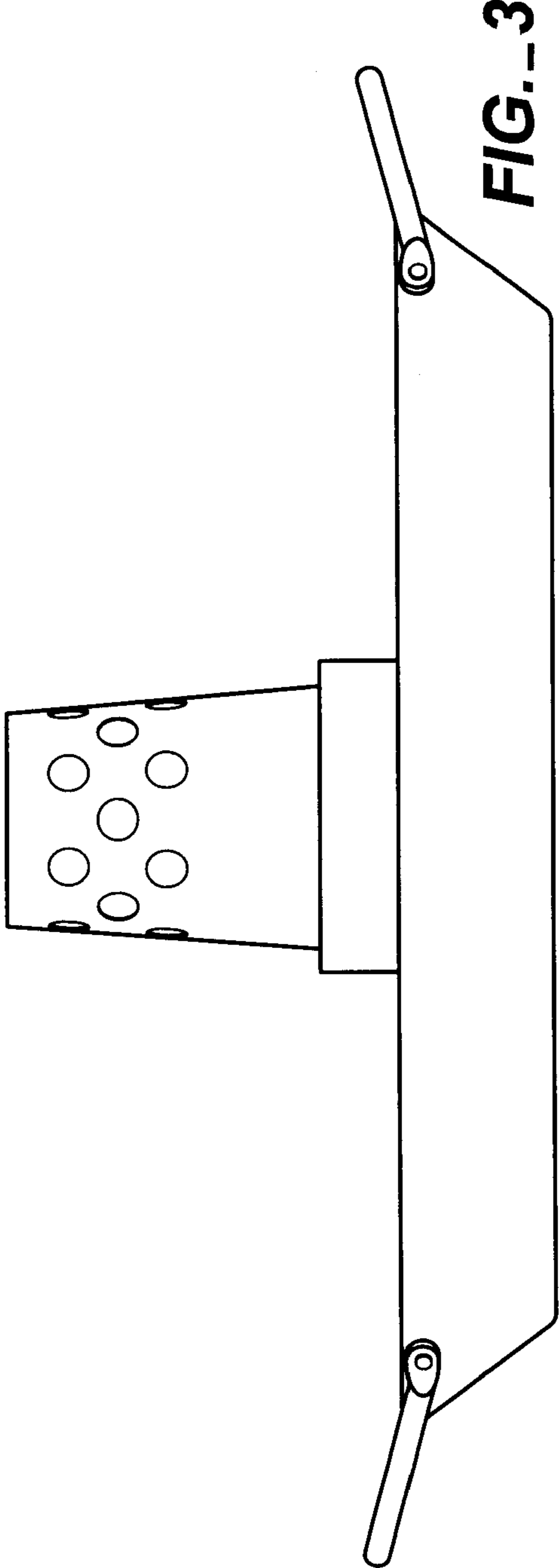


FIG.-1





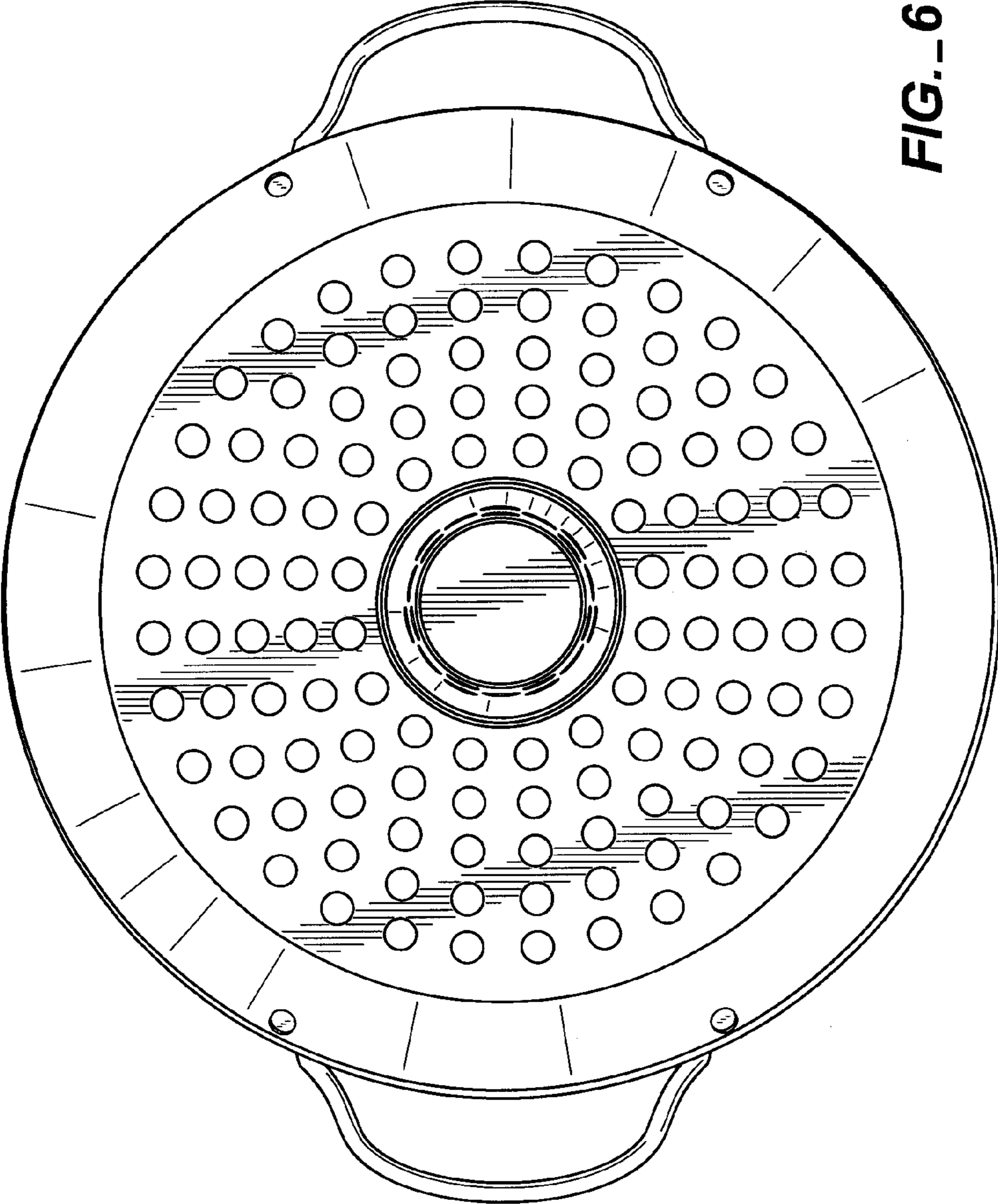


FIG. 6

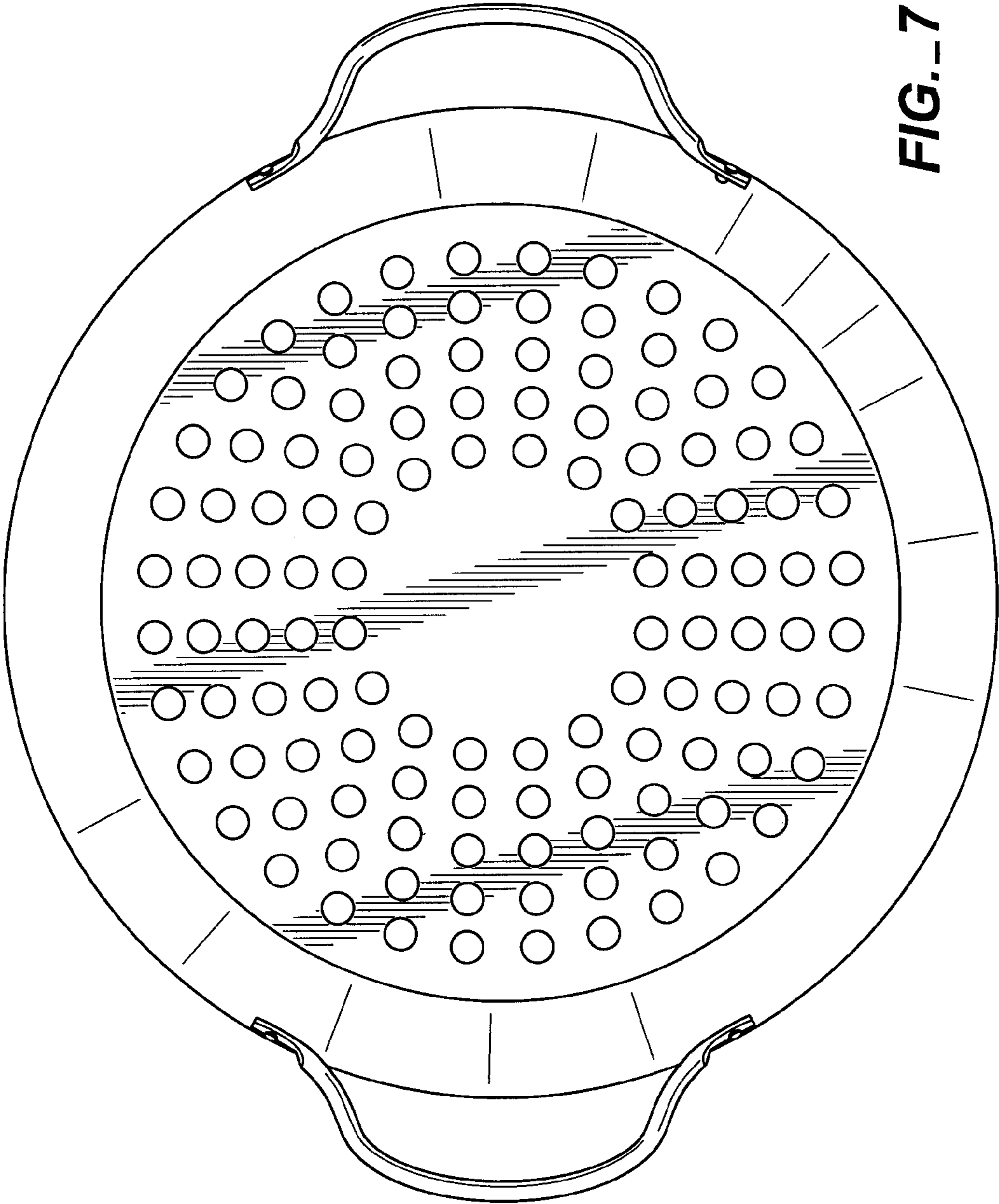


FIG. 7