

US00D506350S

(12) **United States Design Patent**
Cheng

(10) **Patent No.: US D506,350 S**
(45) **Date of Patent: ** Jun. 21, 2005**

(54) **STOCK POT WITH LID AND SIDE HANDLES**

D491,011 S * 6/2004 Park D7/358
D492,881 S * 7/2004 Bodum D7/360

(75) Inventor: **Stanley Kin Sui Cheng**, Vallejo, CA (US)

FOREIGN PATENT DOCUMENTS

GB 3017524 * 6/2004

(73) Assignee: **Meyer Intellectual Properties Ltd.**, Hong Kong (CN)

* cited by examiner

(**) Term: **14 Years**

Primary Examiner—Joel Sincavage
Assistant Examiner—Maurice Stevens

(21) Appl. No.: **29/194,211**

(57) **CLAIM**

(22) Filed: **Nov. 19, 2003**

The ornamental design for a “stock pot with lid and side handles,” as shown and described.

(51) **LOC (8) Cl.** **07-02**

DESCRIPTION

(52) **U.S. Cl.** **D7/360**

(58) **Field of Search** D7/360, 354–365;
219/604, 620–621; 220/573, 573.3; 99/324,
331, 336, 339, 357, 403

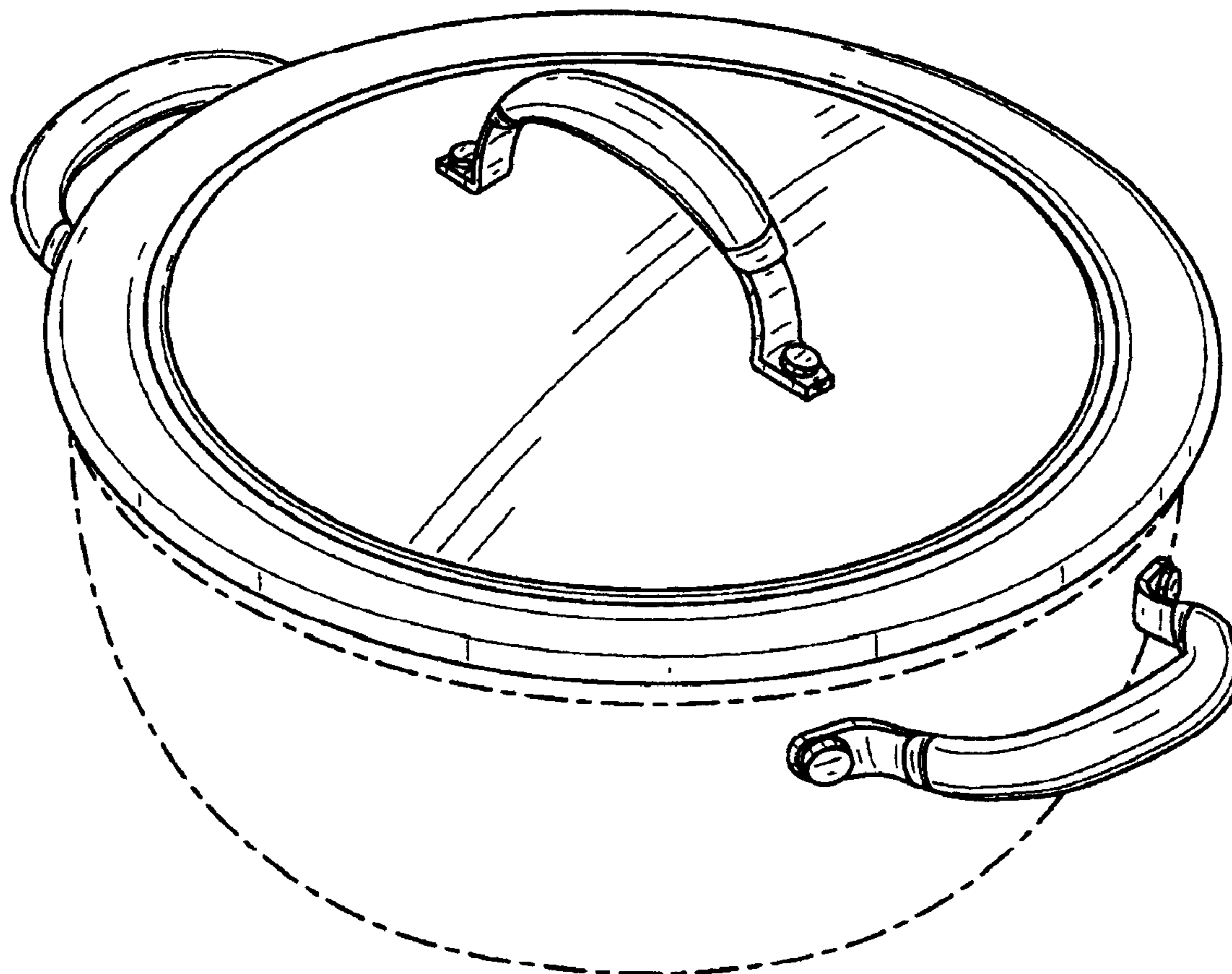
FIG. 1 is a perspective view of the “stock pot with lid and side handles”, showing my new design;
FIG. 2 is a top plan view thereof.
FIG. 3 is a front elevation view of thereof; and,
FIG. 4 is a side elevation view thereof.
The broken line showings in FIGS. 1–4 are for illustrative purposes only, depicting the environment of the new design, forming no part thereof as claimed.

(56) **References Cited**

U.S. PATENT DOCUMENTS

D374,373 S * 10/1996 Ito D7/360
D439,104 S * 3/2001 Thakur D7/360
D460,316 S * 7/2002 Coudurier D7/360

1 Claim, 3 Drawing Sheets



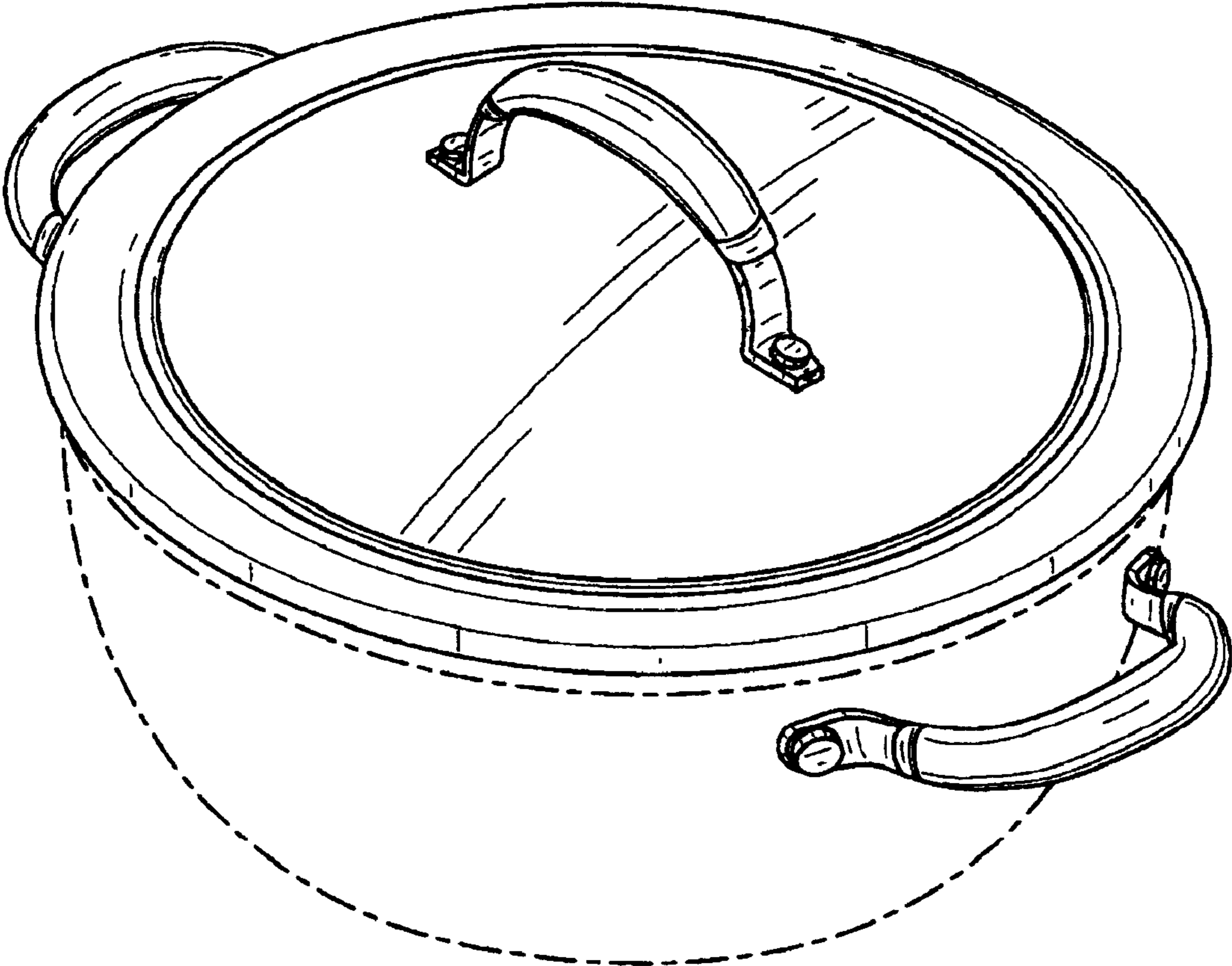


FIG. 1

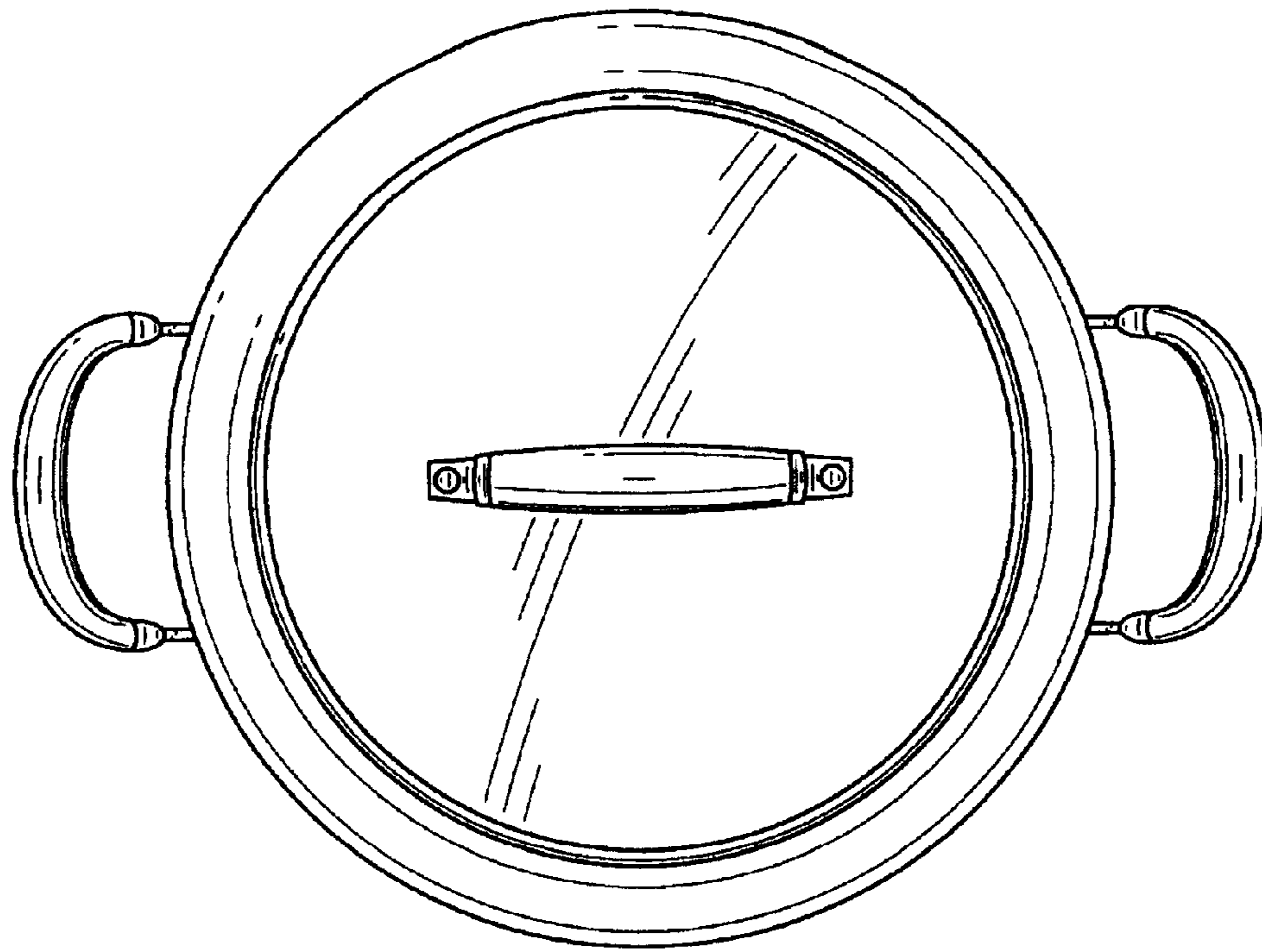


FIG. 2

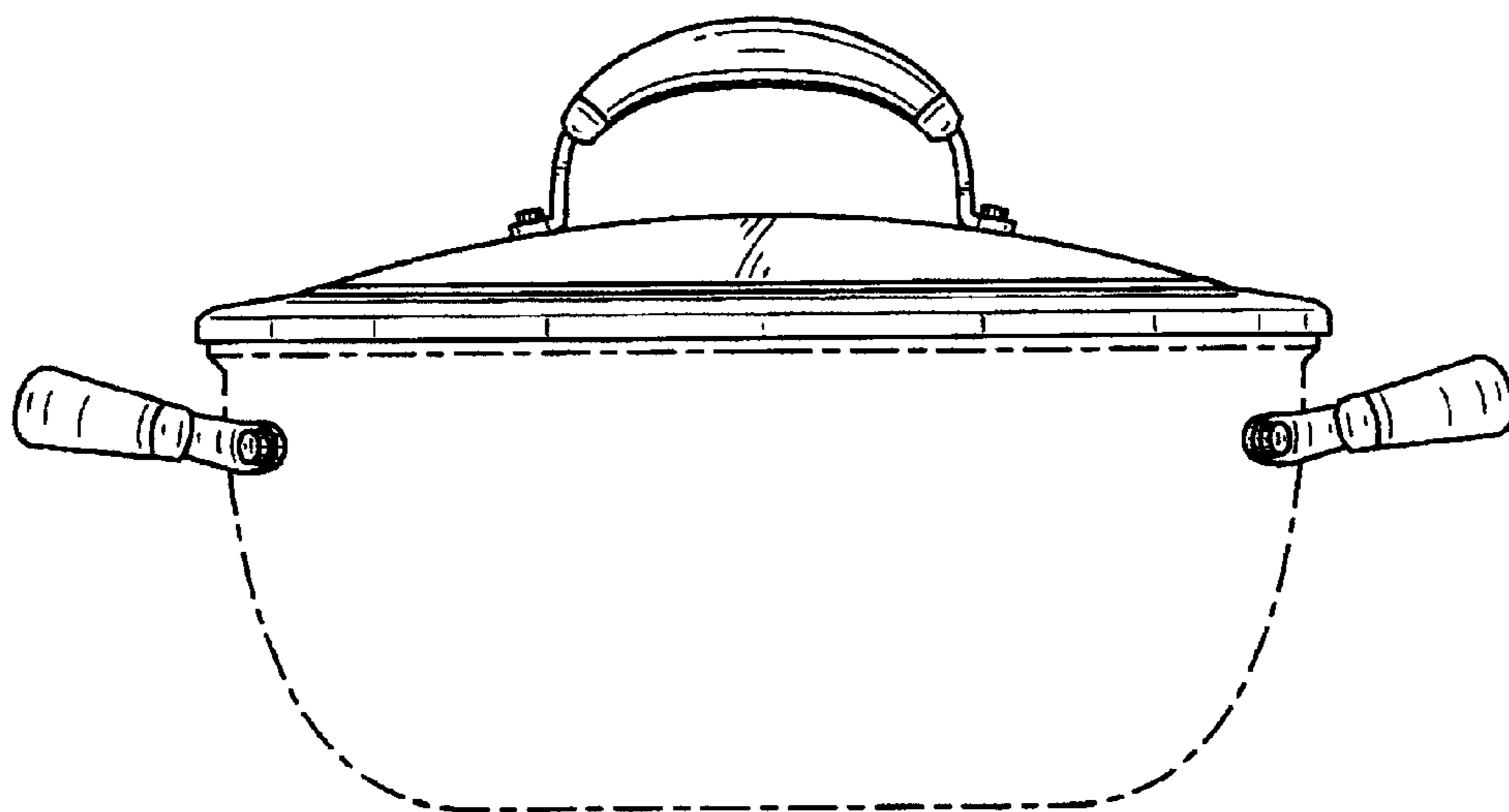


FIG. 3

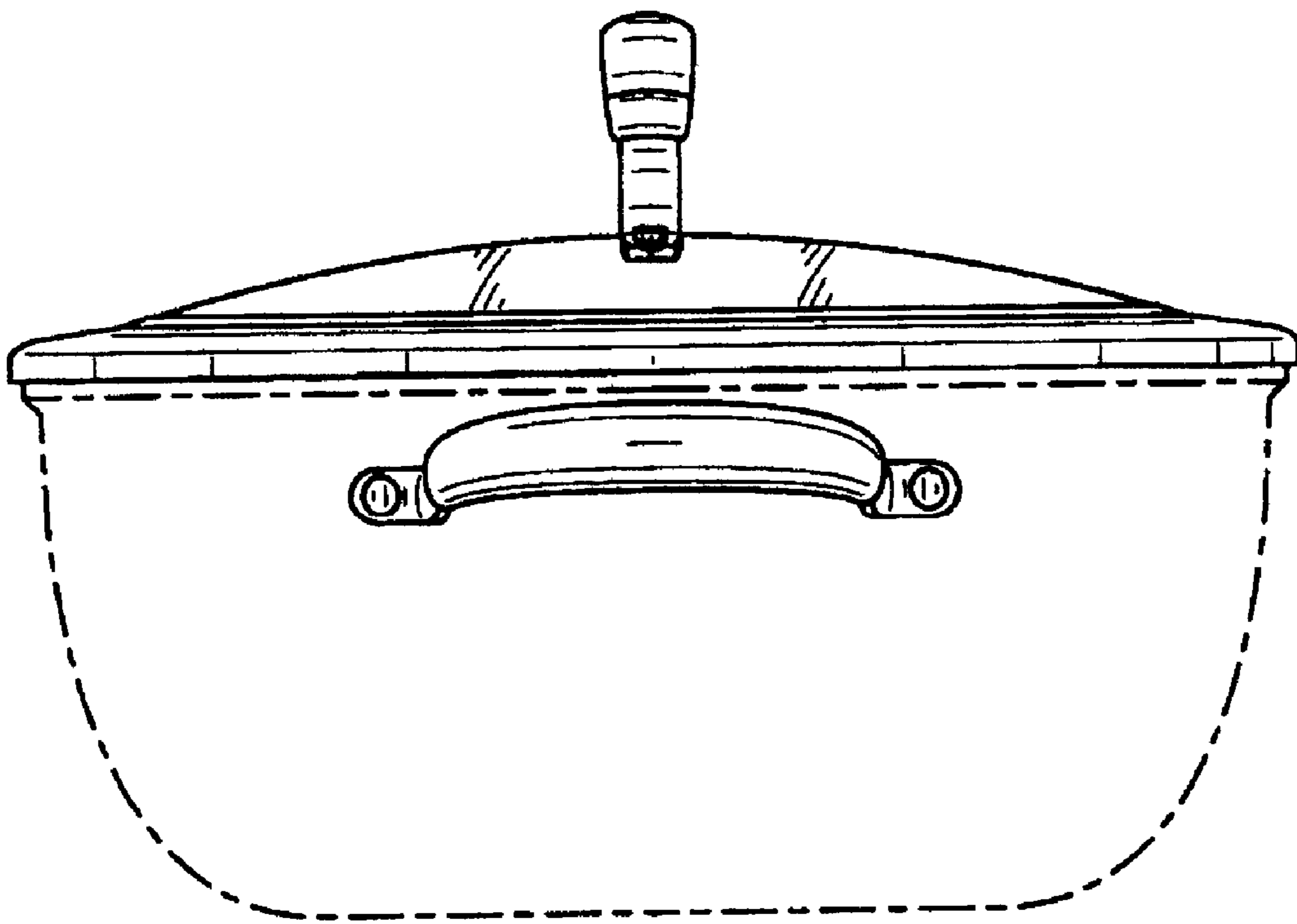


FIG. 4