

US00D506347S

(12) **United States Design Patent**
Stoupa

(10) **Patent No.:** **US D506,347 S**
(45) **Date of Patent:** **** Jun. 21, 2005**

(54) **CORN COOKING DEVICE**

(76) **Inventor:** **Chandra Stoupa**, 17625 Leavenworth,
Omaha, NE (US) 68118

(**) **Term:** **14 Years**

(21) **Appl. No.:** **29/205,458**

(22) **Filed:** **May 14, 2004**

(51) **LOC (8) Cl.** **07-02**

(52) **U.S. Cl.** **D7/323**

(58) **Field of Search** D7/323, 354-360;
99/324, 325, 339, 395, 422, 425, 426; 219/620-622

(56) **References Cited**

U.S. PATENT DOCUMENTS

3,379,118 A *	4/1968	Perez	D7/323
4,920,872 A *	5/1990	Henry	99/339
D346,305 S *	4/1994	Breka	D7/357
D363,635 S *	10/1995	Cashin et al.	D7/354
D460,315 S *	7/2002	Martin	D7/354

* cited by examiner

Primary Examiner—Catherine R. Oliver
(74) *Attorney, Agent, or Firm*—Suiter West PC LLO

(57) **CLAIM**

I claim the ornamental design for a corn cooking device, as shown.

DESCRIPTION

FIG. 1 is an isometric view of the corn cooking device showing my new design;

FIG. 2 is a top plan view thereof;

FIG. 3 is a left side elevation view thereof;

FIG. 4 is a front elevation view thereof;

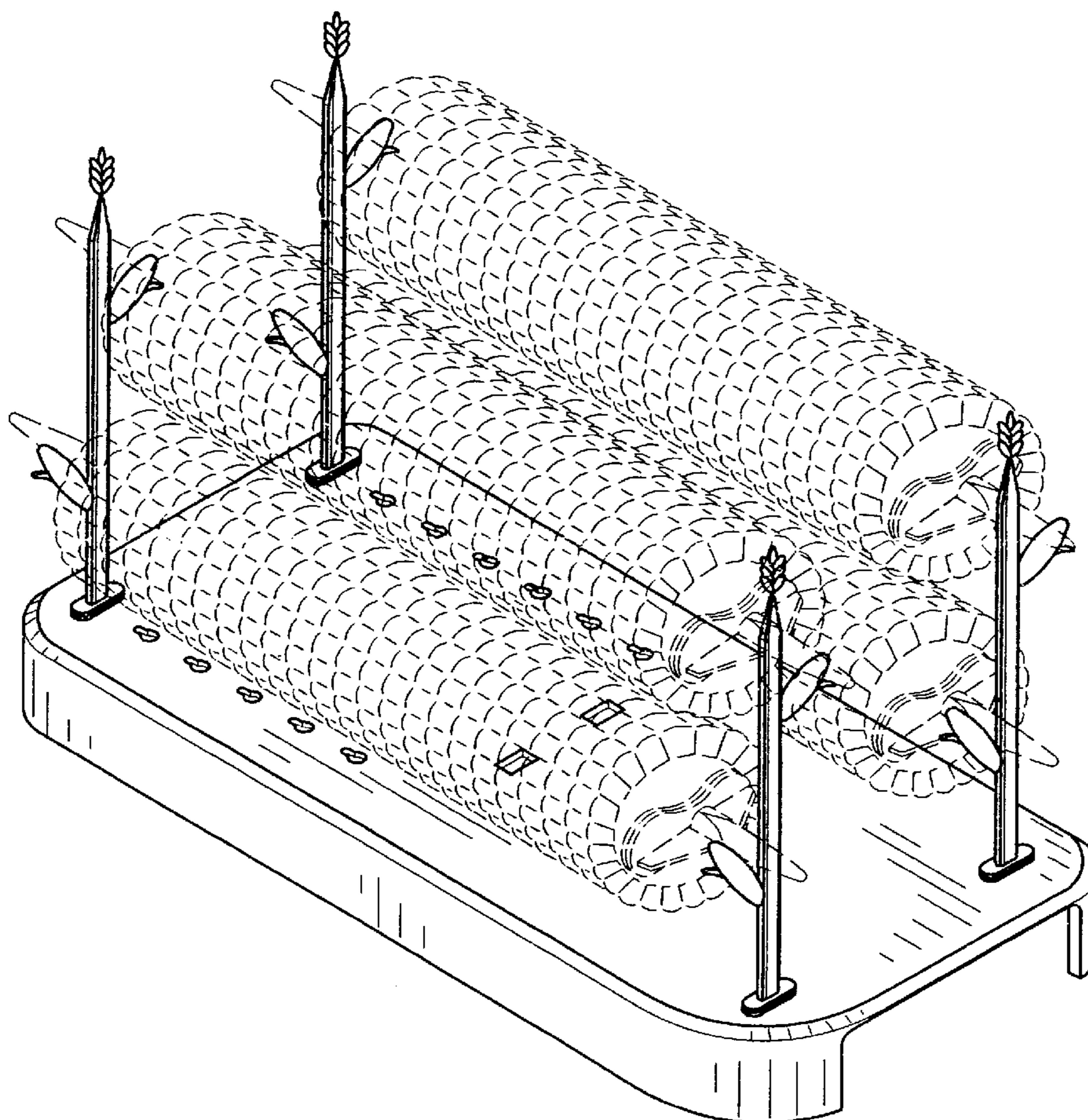
FIG. 5 is a right side elevation view thereof;

FIG. 6 is a rear elevation view thereof; and,

FIG. 7 is a bottom plan view thereof.

The broken line showing of environment in the drawings is for illustrative purposes only and forms no part of the claimed design.

1 Claim, 4 Drawing Sheets



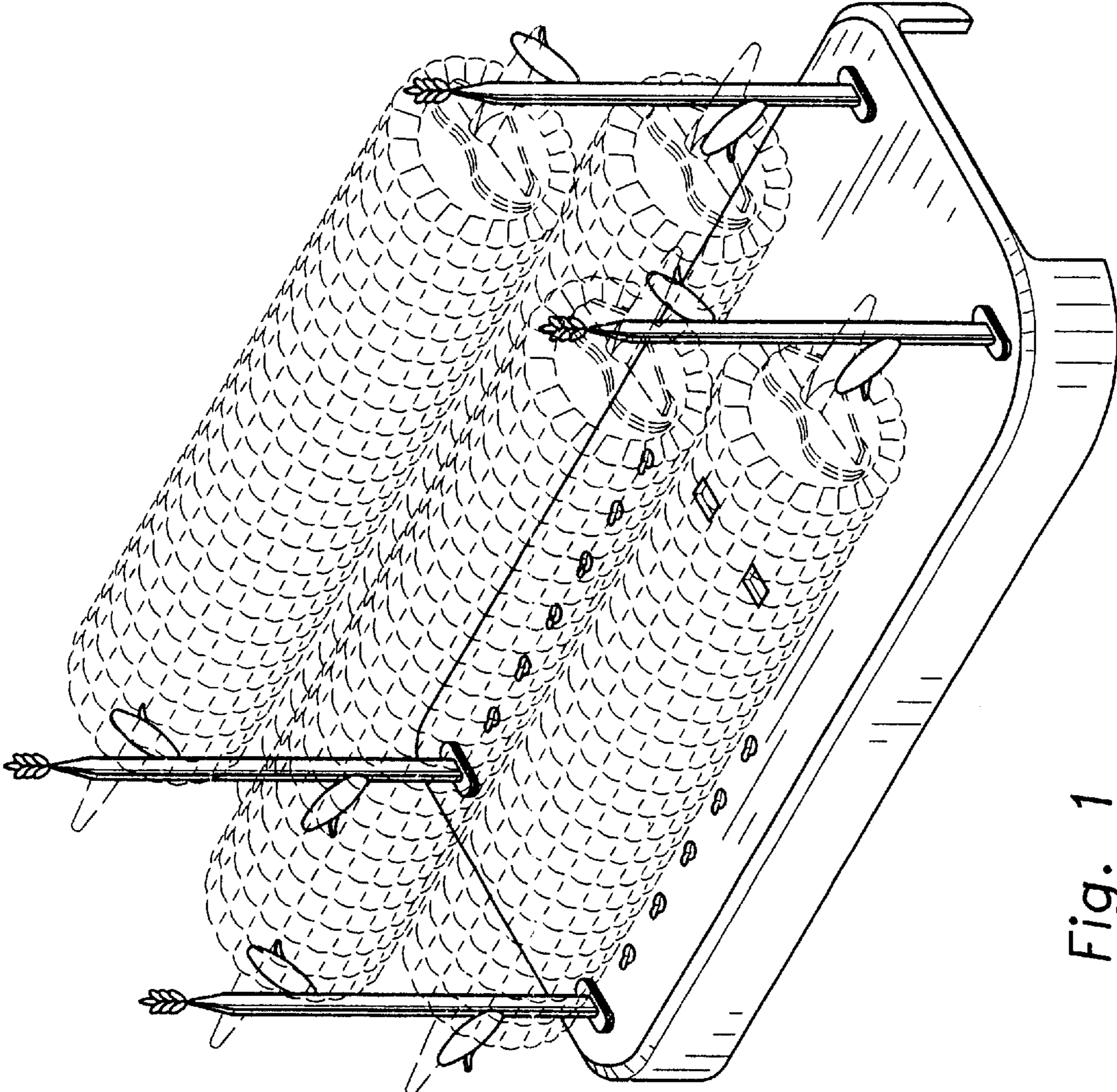


Fig. 1

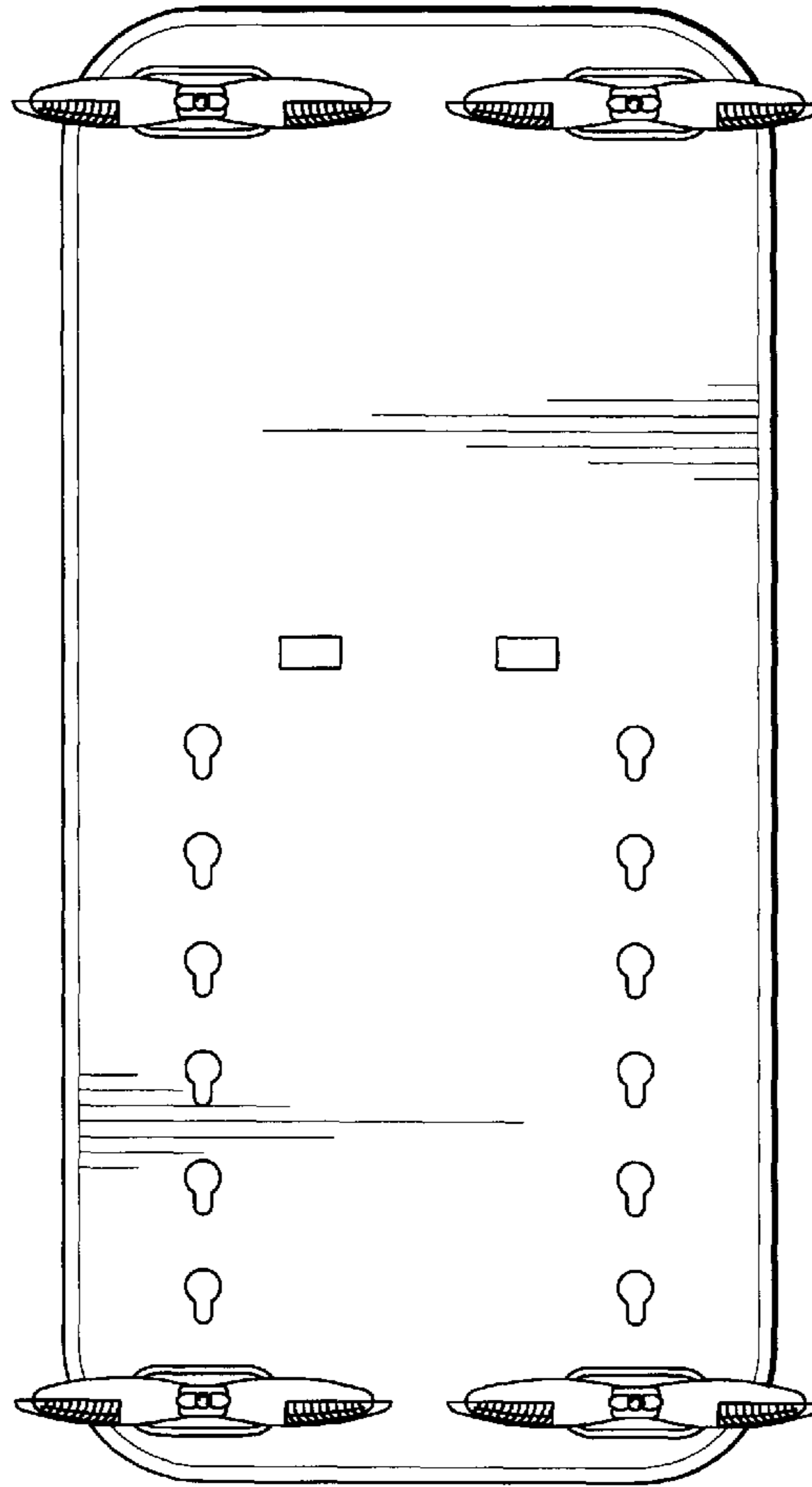


Fig. 2

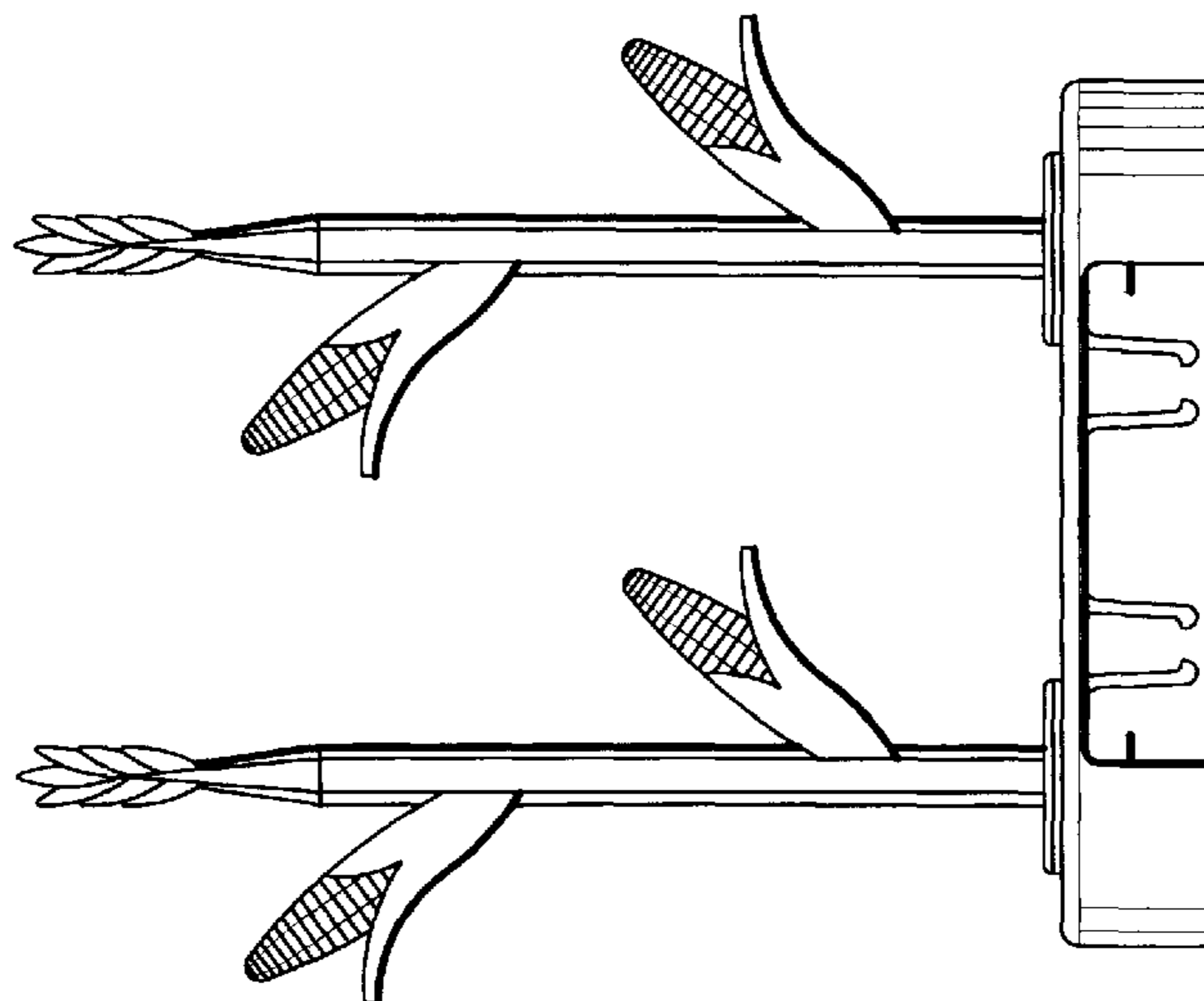


Fig. 3

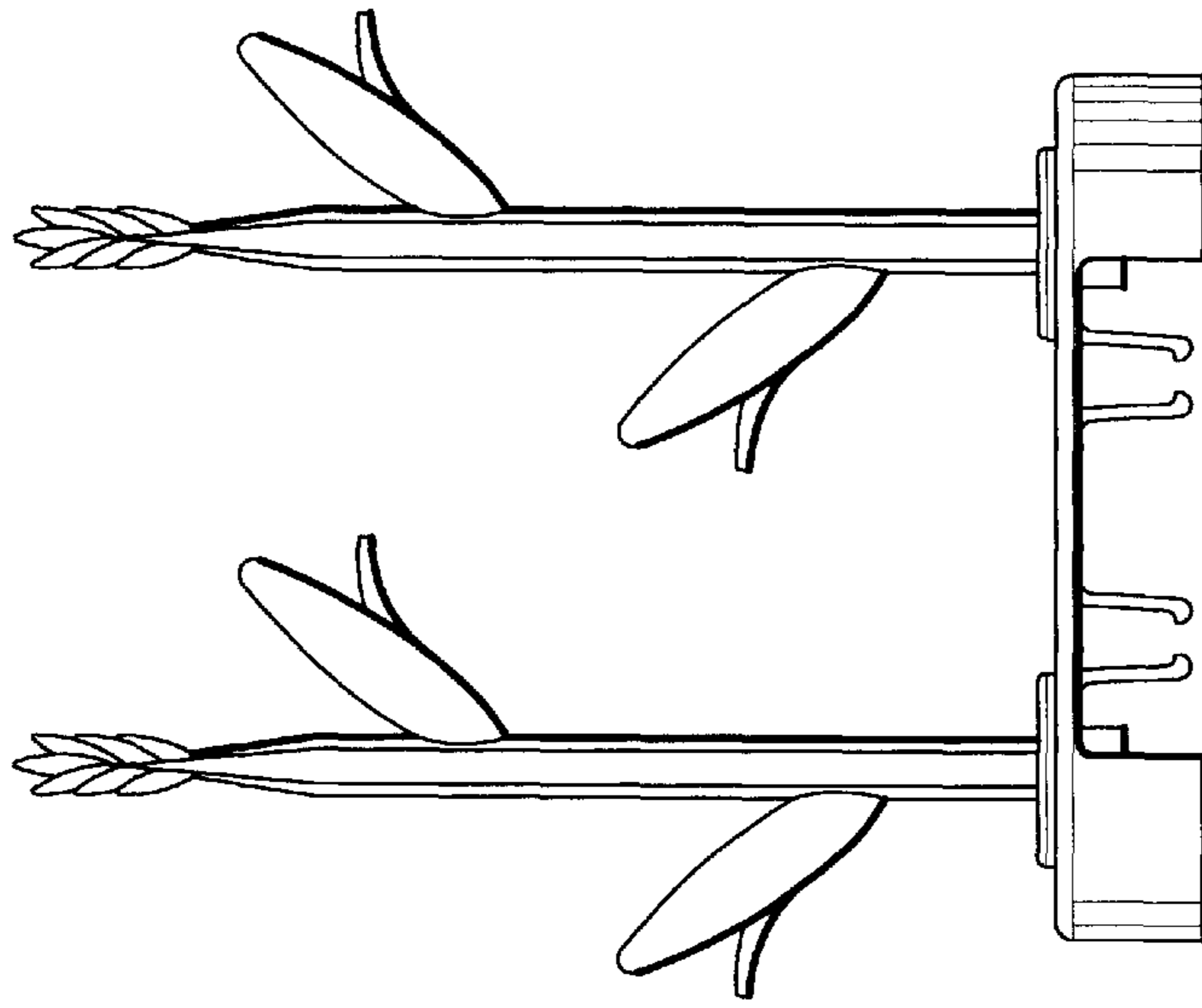


Fig. 5

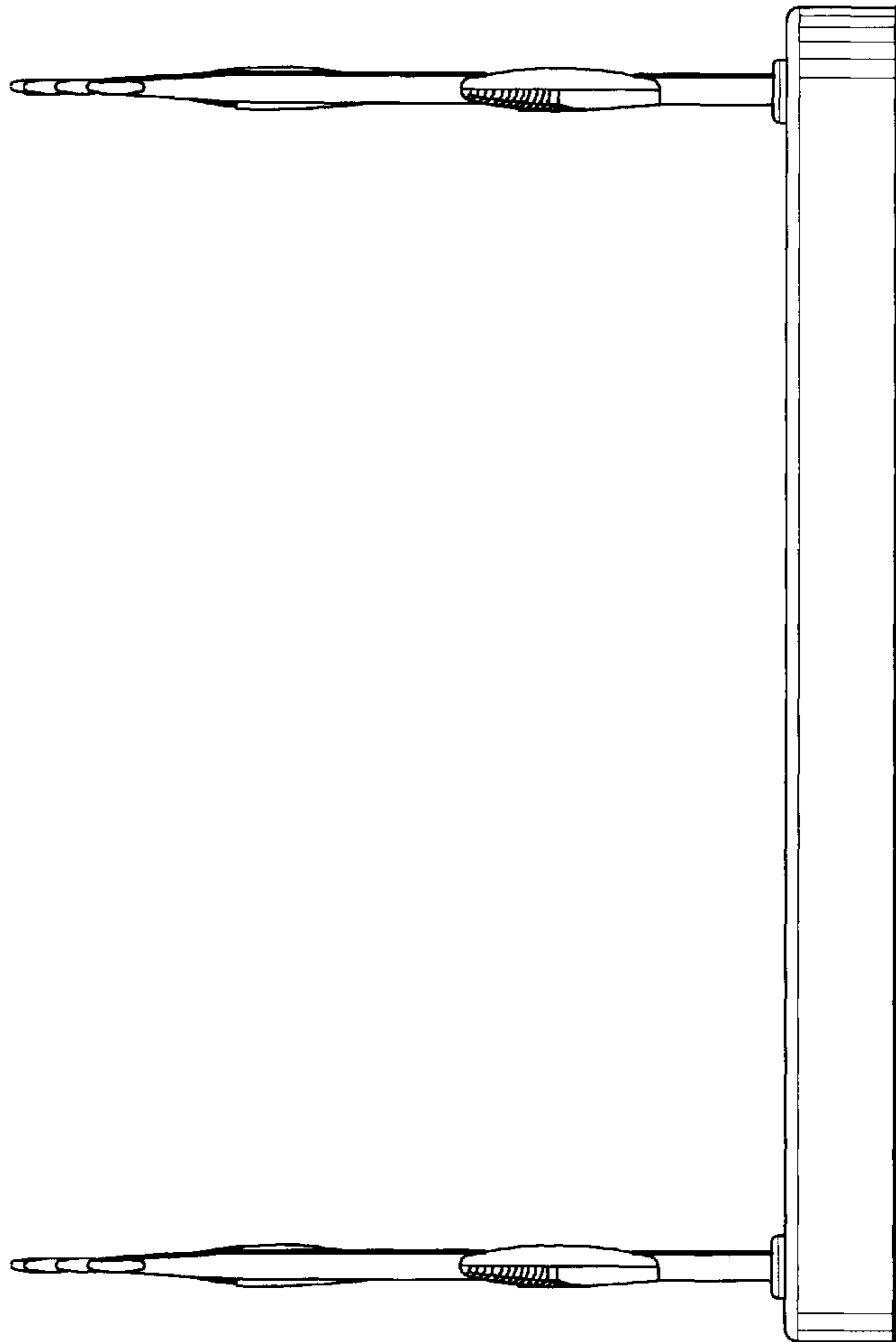


Fig. 4



Fig. 6

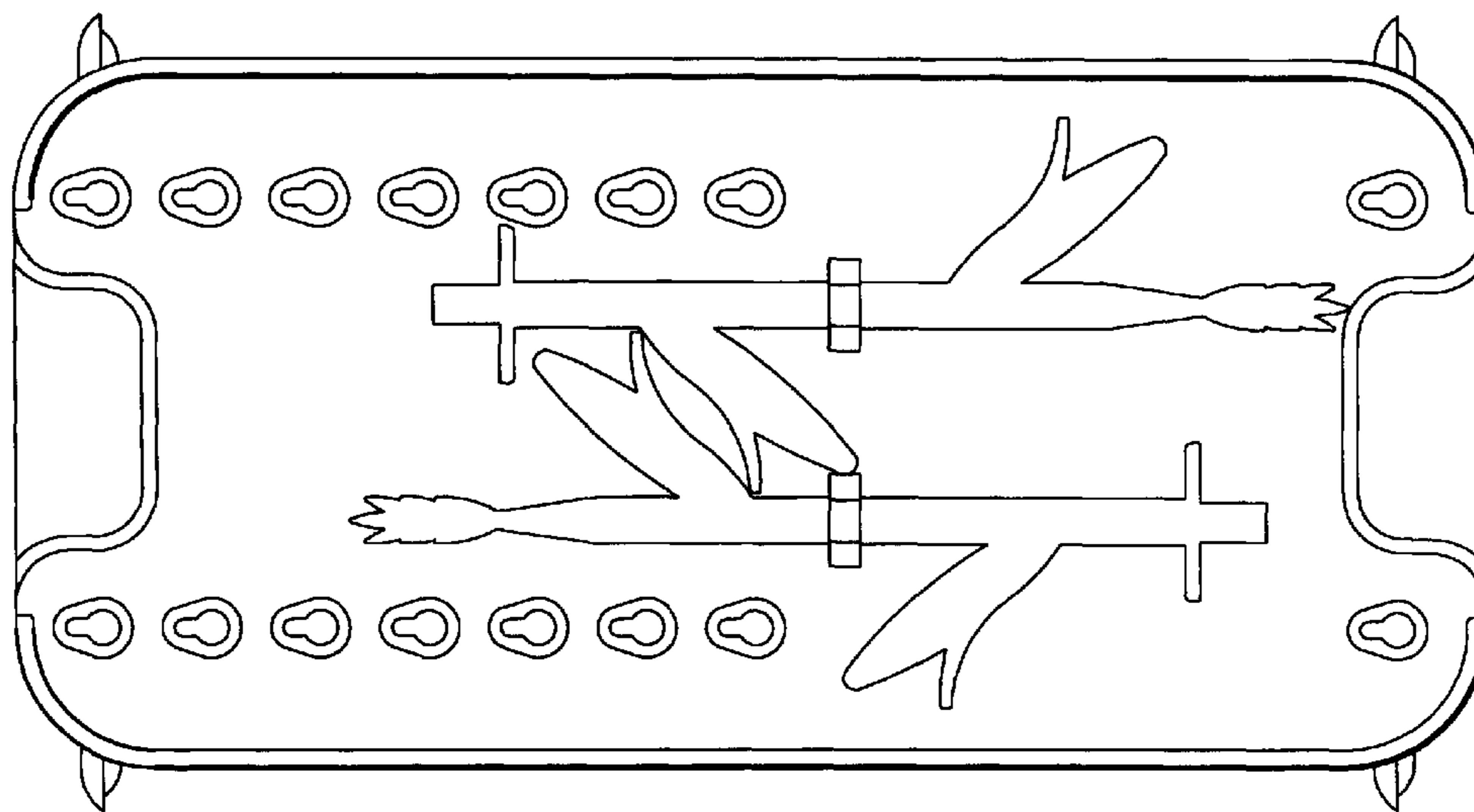


Fig. 7