

US00D506346S

(12) **United States Design Patent** (10) **Patent No.:** **US D506,346 S**
Matsumoto et al. (45) **Date of Patent:** **** Jun. 21, 2005**

(54) **CONTAINER WITH LID**
 (75) Inventors: **Tamotsu Matsumoto**, Chiba (JP);
Yoshiro Kobata, Kaga (JP); **Yasumitsu Aochi**, Tokyo (JP)
 (73) Assignee: **Dart Industries Inc.**, Orlando, FL (US)
 (**) Term: **14 Years**
 (21) Appl. No.: **29/175,933**
 (22) Filed: **Feb. 13, 2003**

5,769,253 A 6/1998 Gross
 5,788,064 A 8/1998 Sacherer et al.
 D406,003 S * 2/1999 Tanner et al. D7/319
 D418,068 S * 12/1999 Robbins, III D10/46.2
 6,037,872 A 3/2000 Dunnum
 D428,756 S * 8/2000 Miller D7/318
 D432,204 S * 10/2000 Brady D23/209
 D433,866 S * 11/2000 Cautereels et al. D7/319
 D444,204 S * 6/2001 Hilgers et al. D23/207
 D444,662 S * 7/2001 McGrath et al. D7/319
 D453,089 S * 1/2002 Neidigh D7/319
 D454,469 S * 3/2002 Jalet et al. D7/318
 D464,522 S * 10/2002 OaConnor et al. D7/319
 D475,233 S * 6/2003 De Visser D7/317

(51) **LOC (8) Cl.** **07-01**
 (52) **U.S. Cl.** **D7/317; D7/319**
 (58) **Field of Search** D7/602, 614, 591,
 D7/612, 691, 598, 600, 629, 316, 317,
 318, 319, 312, 321; D9/516, 515, 424,
 425, 529, 543; D10/46.2; D23/209, 207;
 222/562, 189, 465.1; 206/204, 449; 215/237,
 235; 220/755, 281, 710.5, 759, 756, 802;
 229/117.12; D32/53.1

* cited by examiner

Primary Examiner—M. N. Pandozzi
 (74) *Attorney, Agent, or Firm*—John A. Doninger

(57) **CLAIM**

The ornamental design for a container with lid, as shown and described.

DESCRIPTION

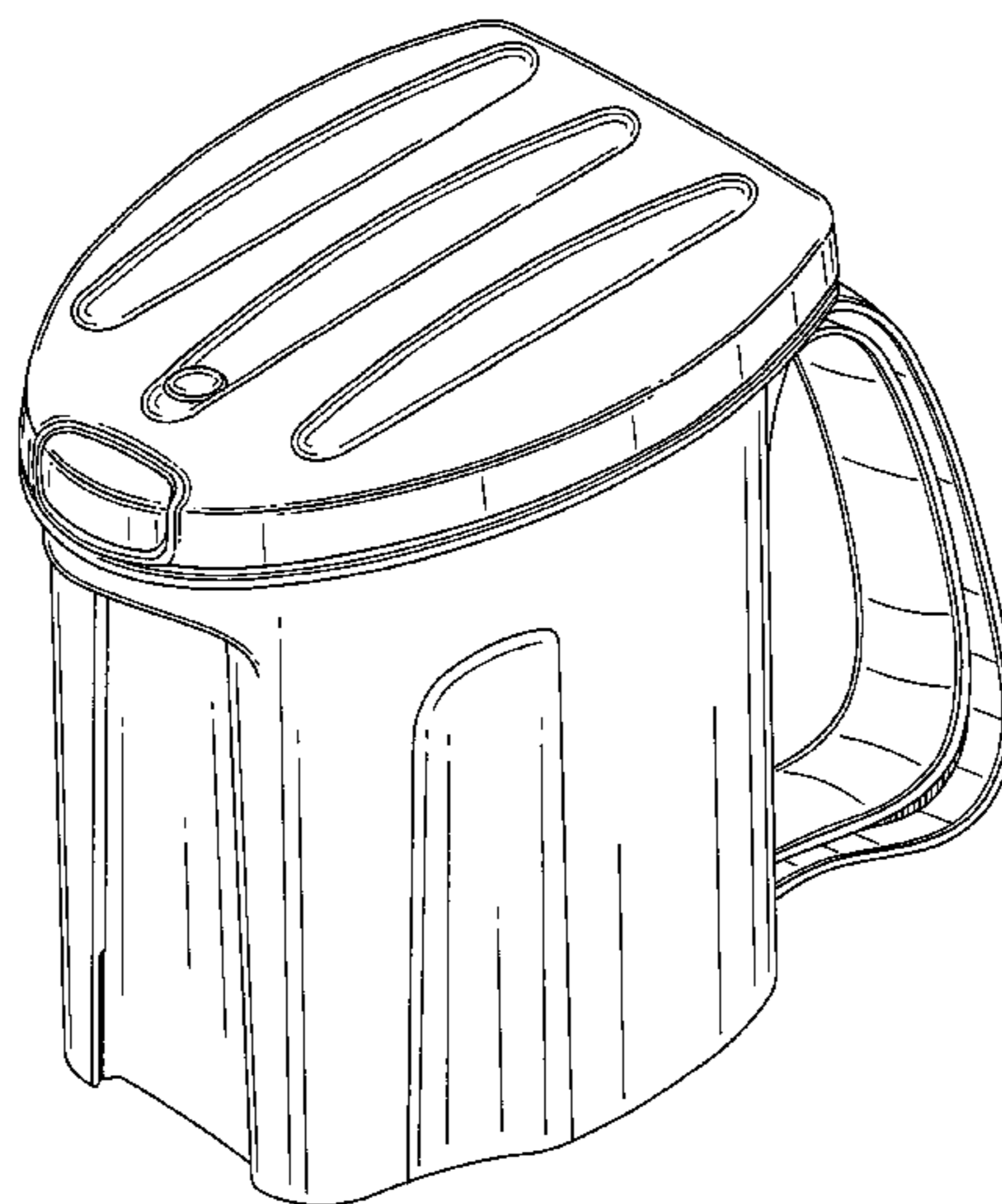
FIG. 1 is a front, side and top perspective view of the container with lid showing my new design;
 FIG. 2 is a front elevational view thereof;
 FIG. 3 is a right side elevational view, the opposite side being a mirror image thereof;
 FIG. 4 is a rear elevational view thereof;
 FIG. 5 is a top plan view thereof;
 FIG. 6 is a bottom plan view thereof;
 FIG. 7 is a front and side perspective view of a variation thereof with the handle mounted on the rear wall;
 FIG. 8 is a rear elevational view of the variation of FIG. 7;
 FIG. 9 is a front and side perspective view of another variation thereof without the handle;
 FIG. 10 is a right side elevational view of the variation of FIG. 9, the opposite side being a mirror image thereof; and,
 FIG. 11 is a bottom plan view of the variation of FIG. 9.

(56) **References Cited**

U.S. PATENT DOCUMENTS

D181,621 S * 10/1957 Blod D7/317
 D199,037 S * 9/1964 Jackson D7/691
 D204,947 S * 5/1966 Benjamin D7/321
 D270,602 S 9/1983 Fritz
 D276,400 S 11/1984 Daenen et al.
 D276,401 S * 11/1984 Daenen et al. D7/629
 D284,728 S * 7/1986 Trivison D7/629
 4,606,481 A * 8/1986 Conti et al. 222/562
 D287,324 S * 12/1986 Schmidt D10/46.2
 4,643,326 A 2/1987 Klingler
 4,842,158 A 6/1989 Reyes, Jr.
 D313,555 S * 1/1991 Jordi D9/424
 D328,014 S 7/1992 DeCoster et al.
 5,170,533 A 12/1992 Barry
 5,203,471 A 4/1993 Widman
 D346,249 S * 4/1994 Peltier, III et al. D32/53.1
 D350,876 S * 9/1994 VanValkenburg et al. D7/612

1 Claim, 8 Drawing Sheets



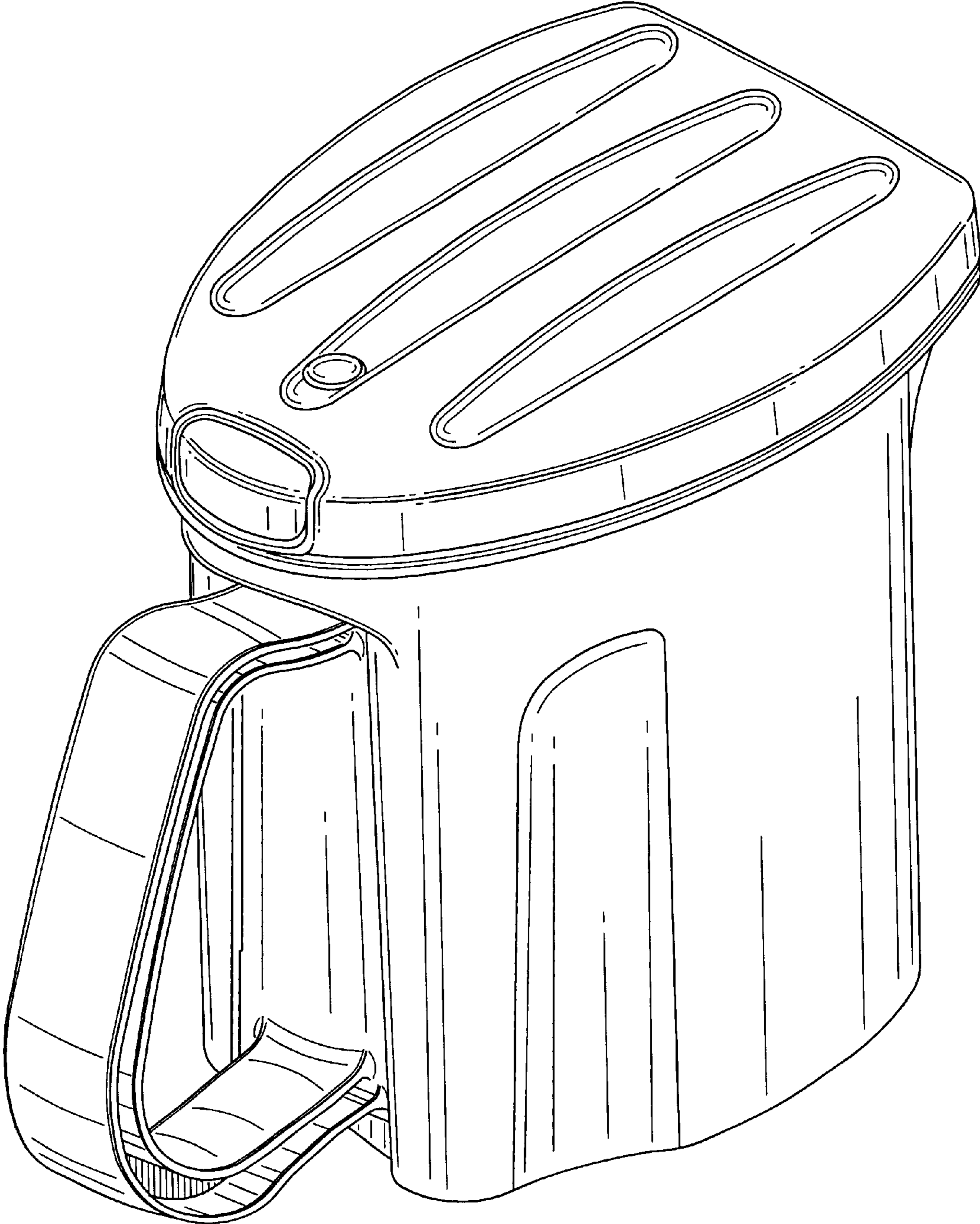


FIG. 1

FIG. 3

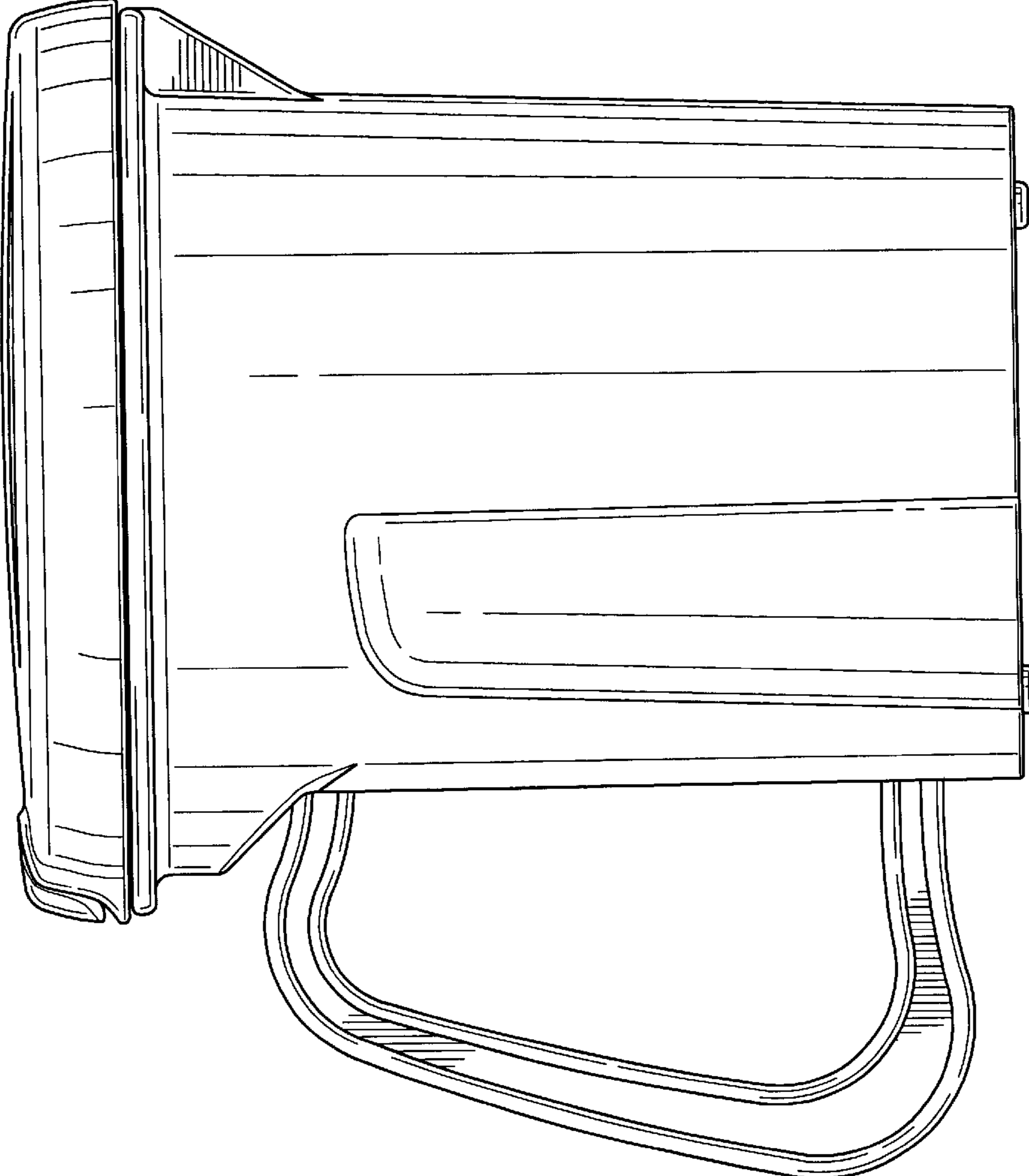


FIG. 2

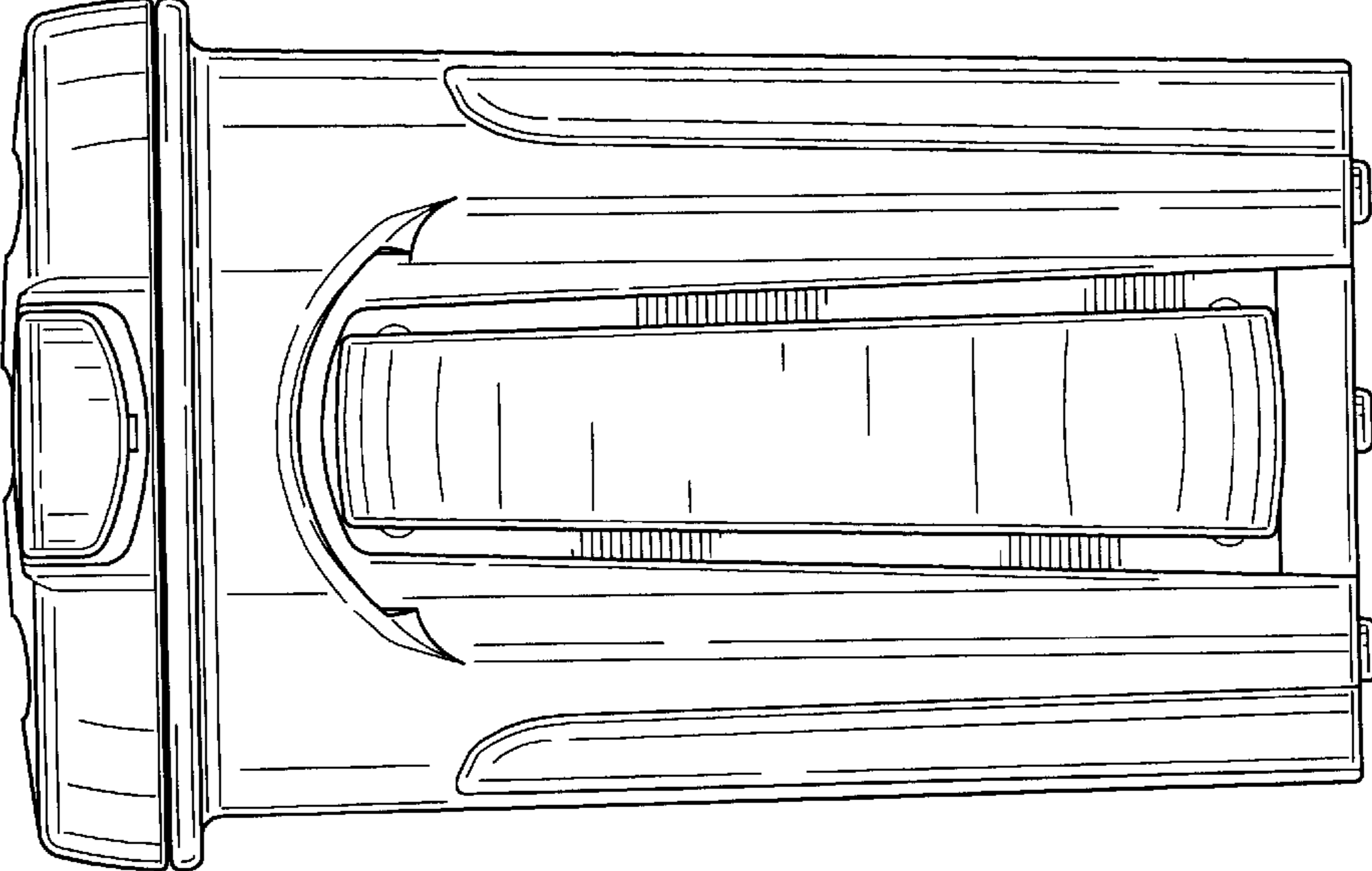


FIG. 4

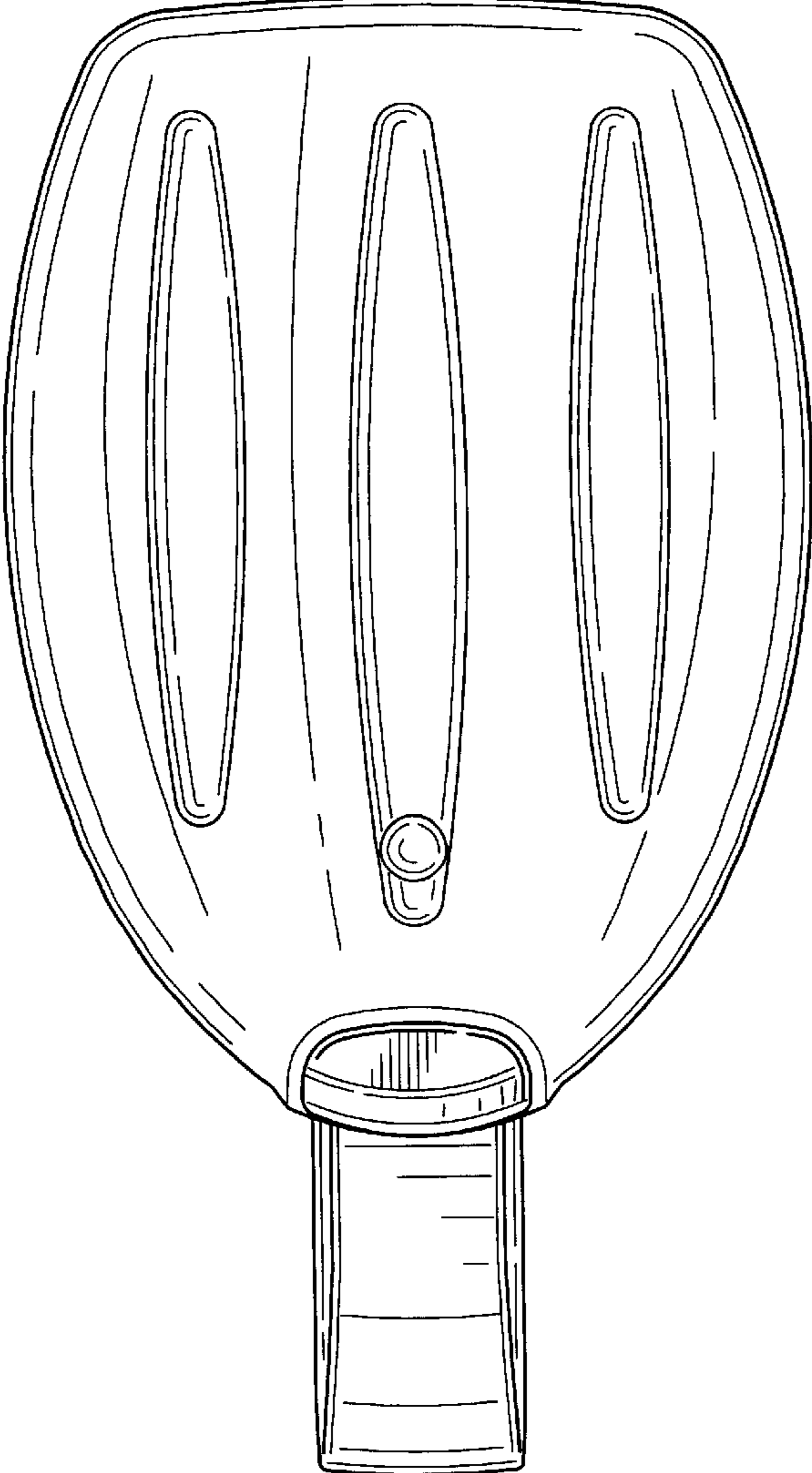
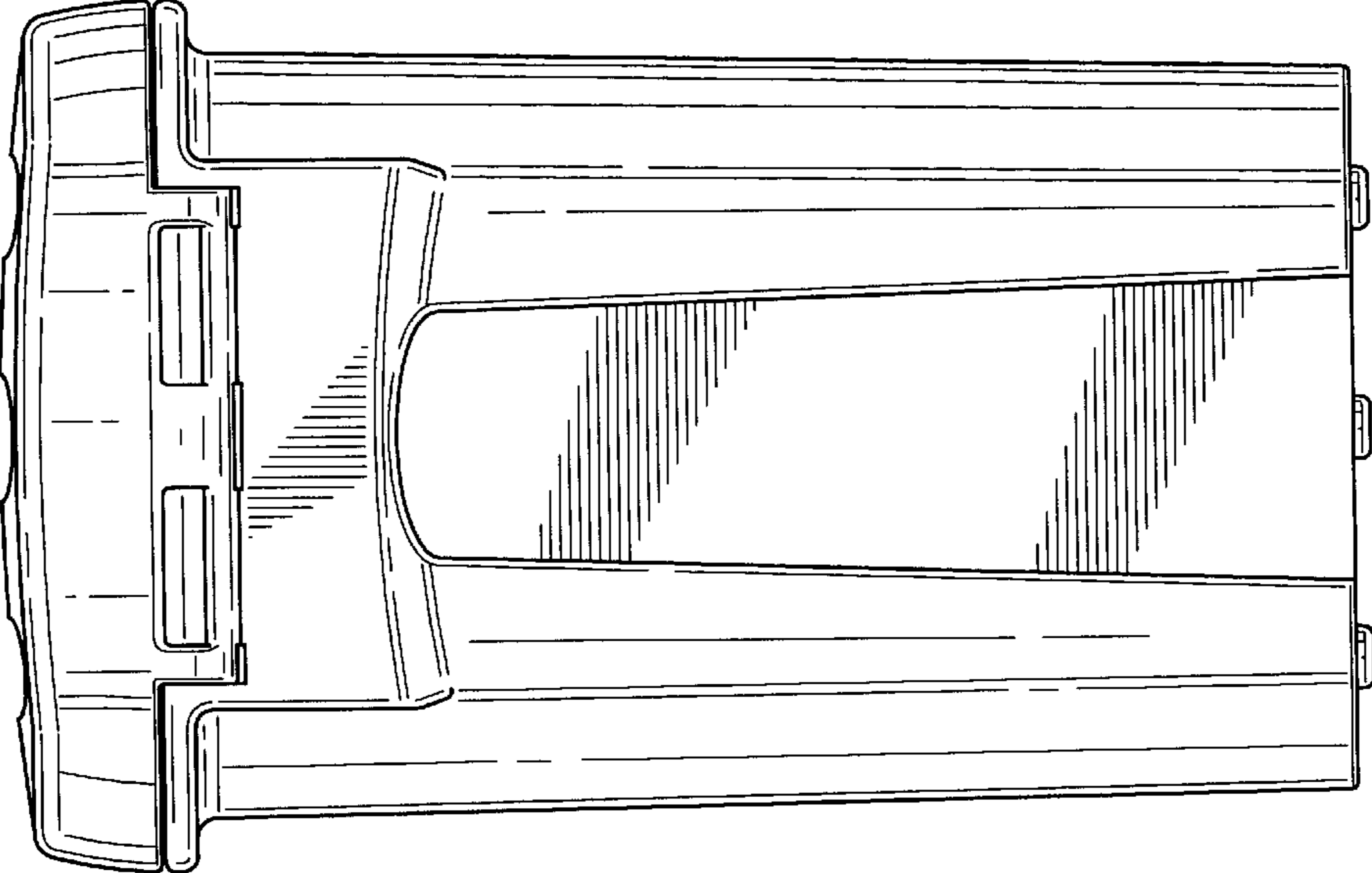


FIG. 5

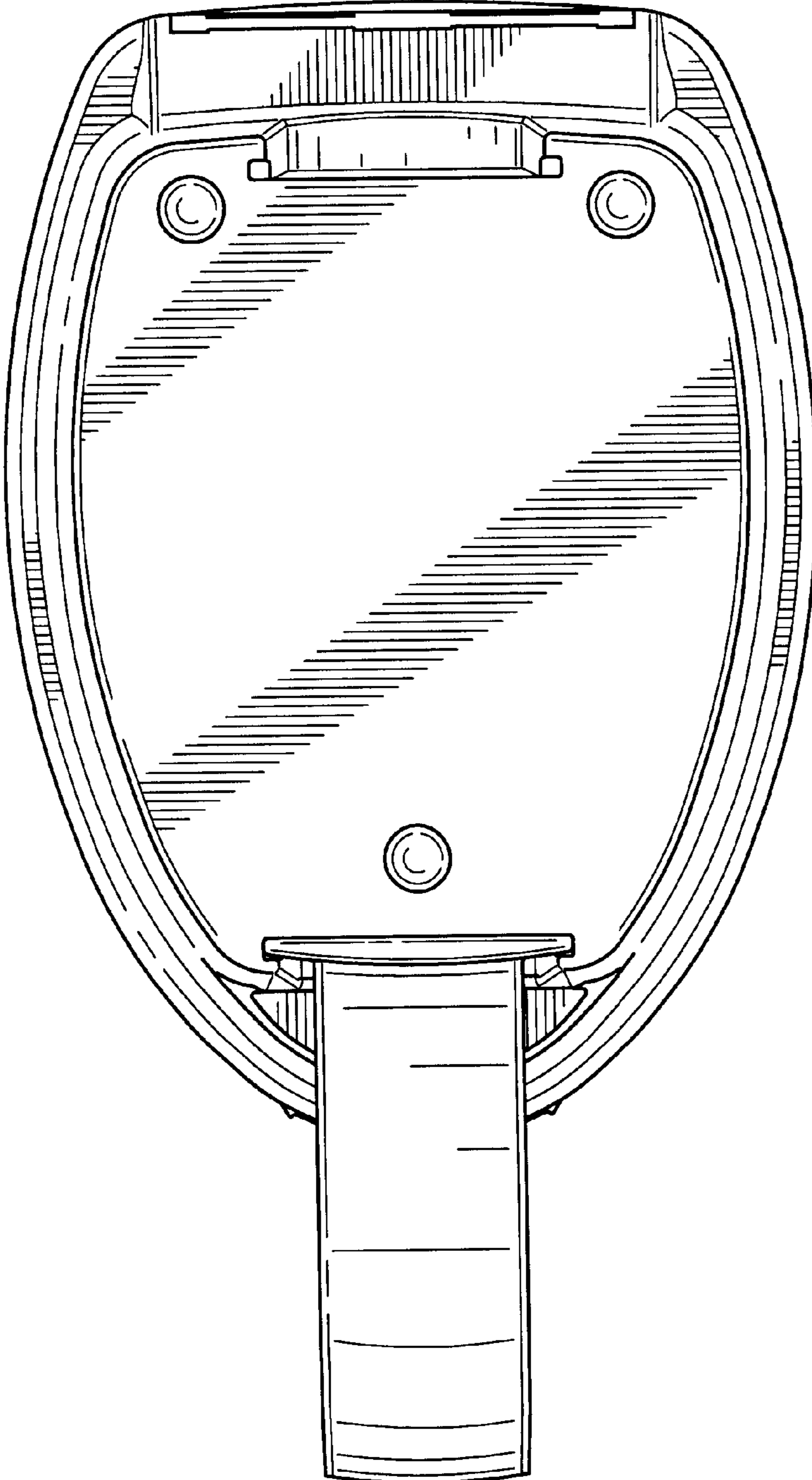


FIG. 6

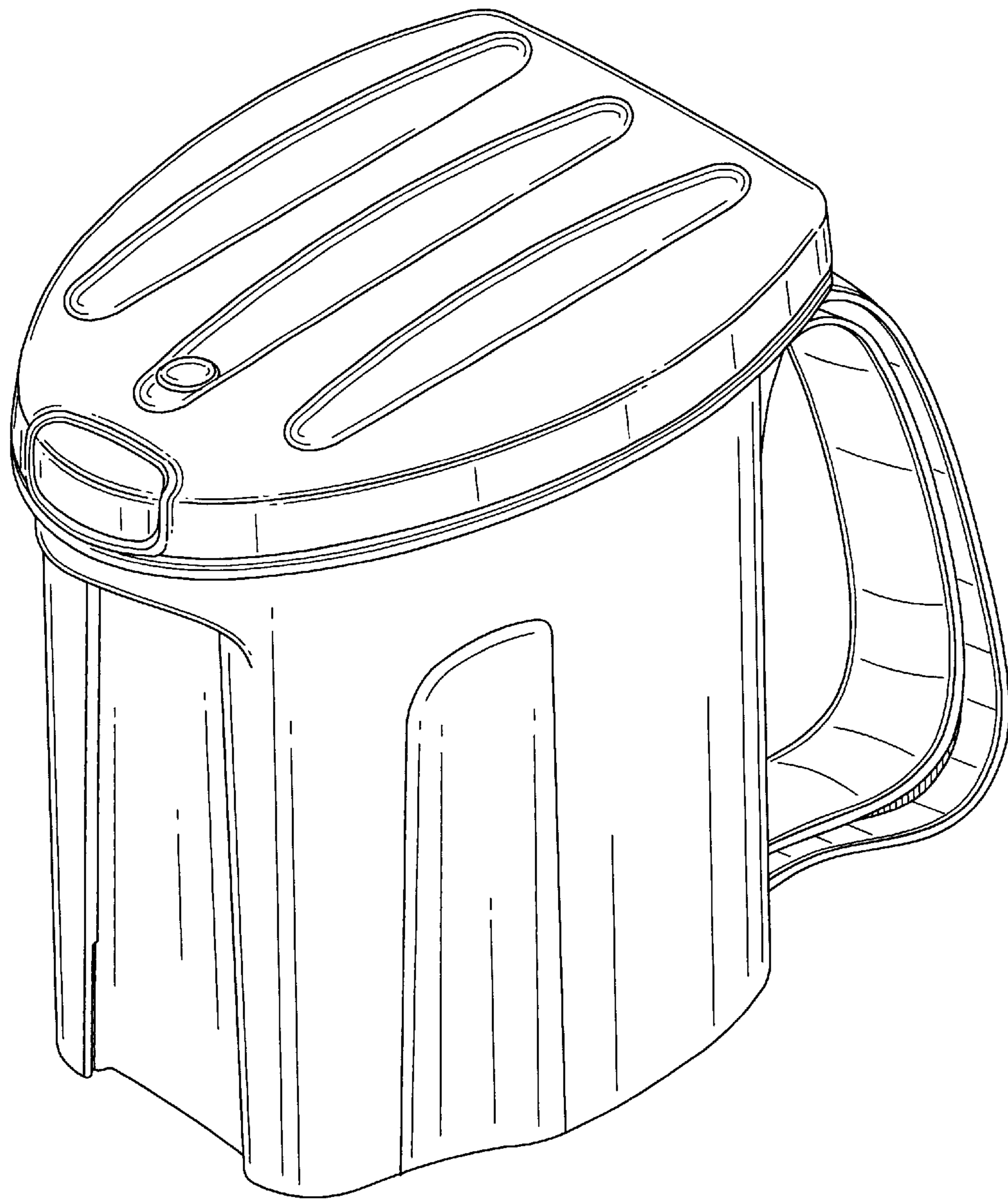


FIG. 7

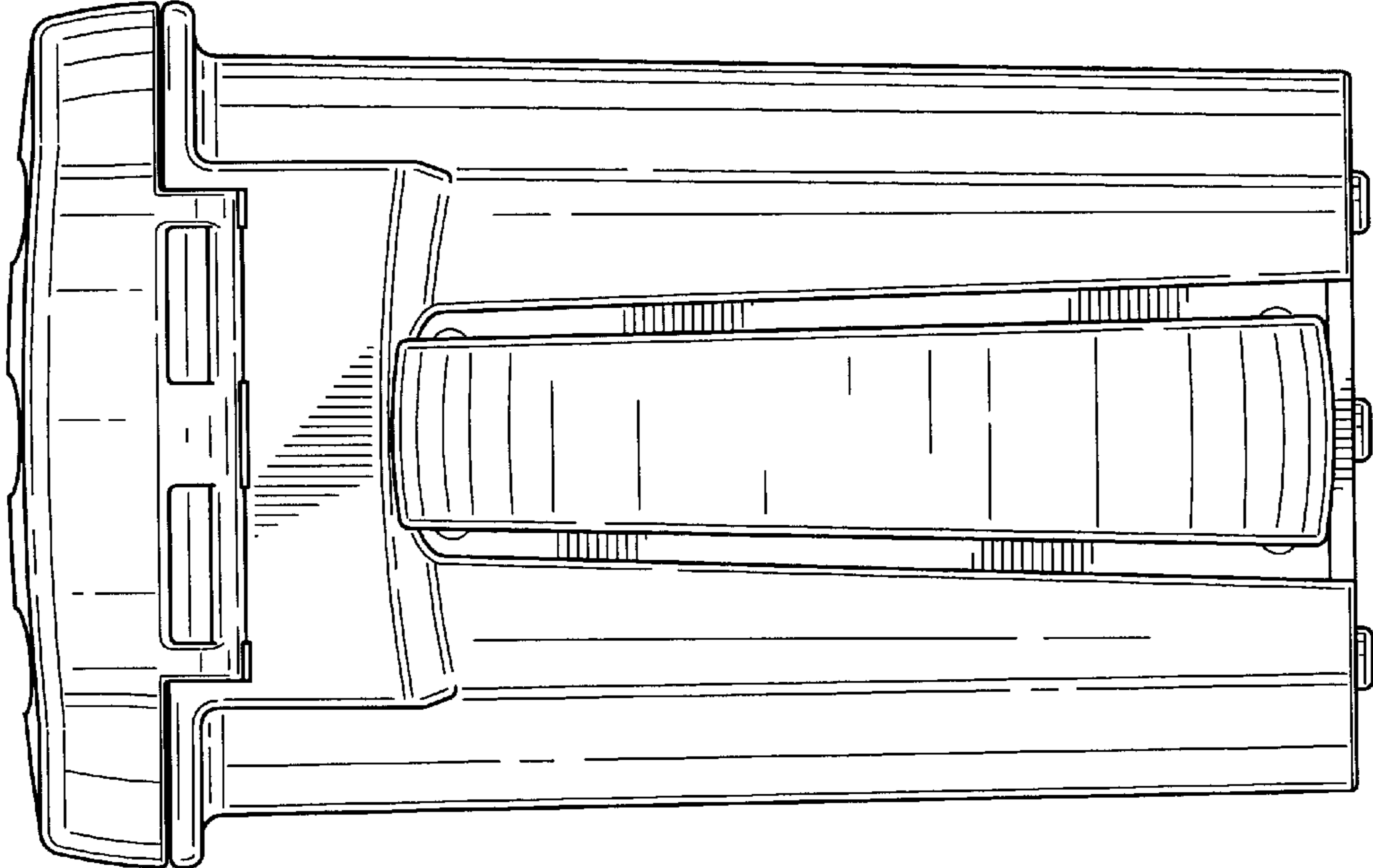


FIG. 8

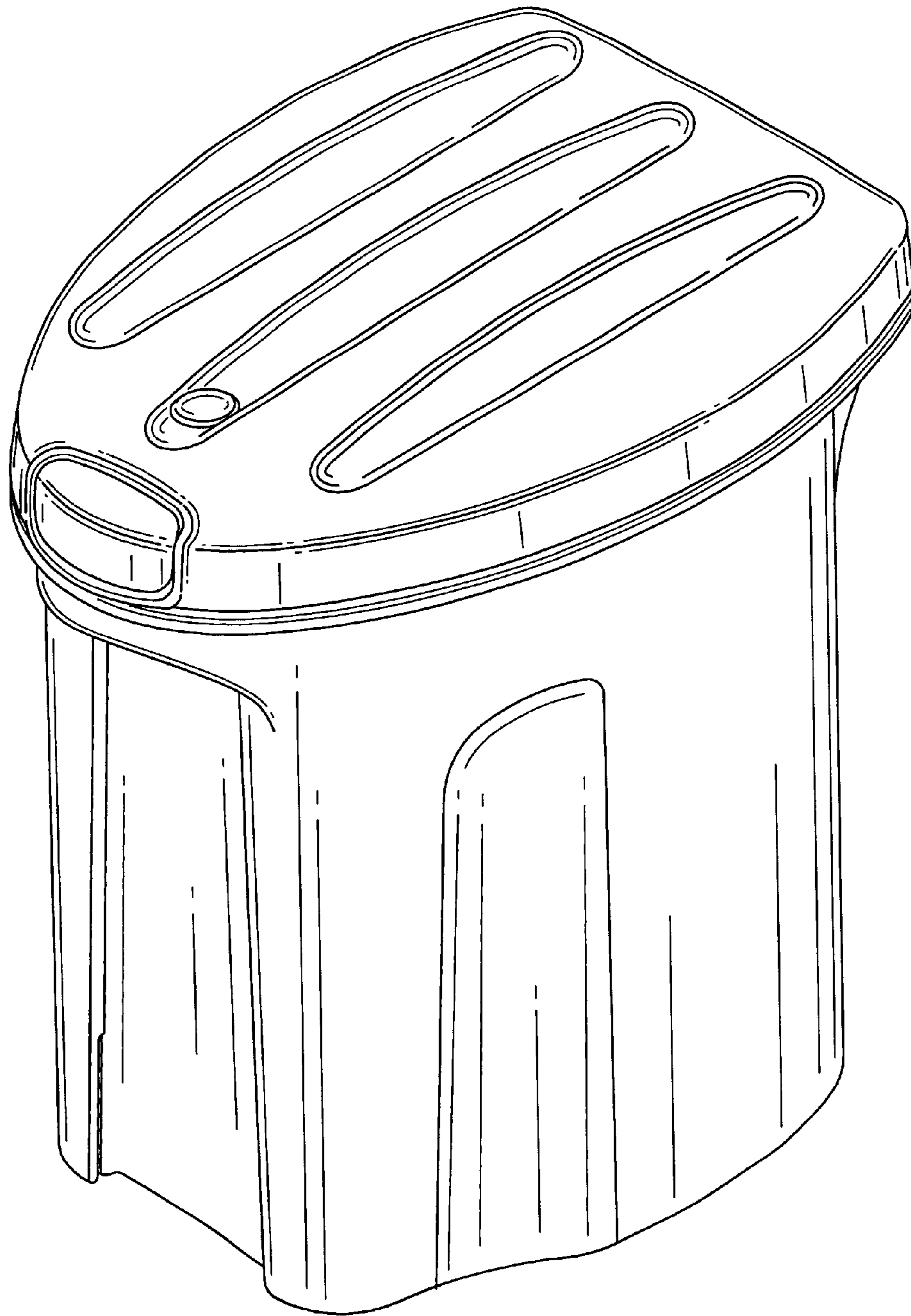


FIG. 9

FIG. 11

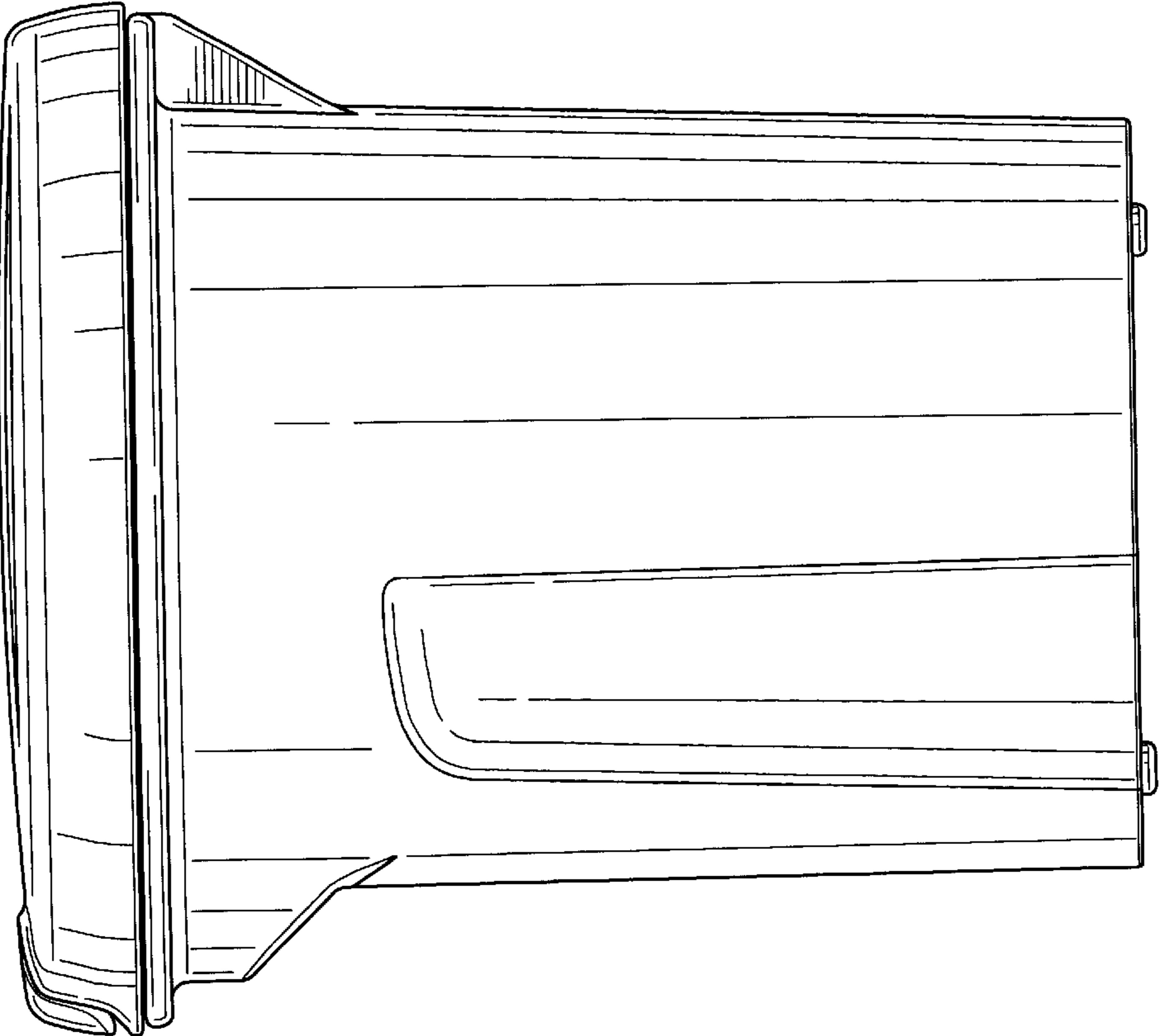
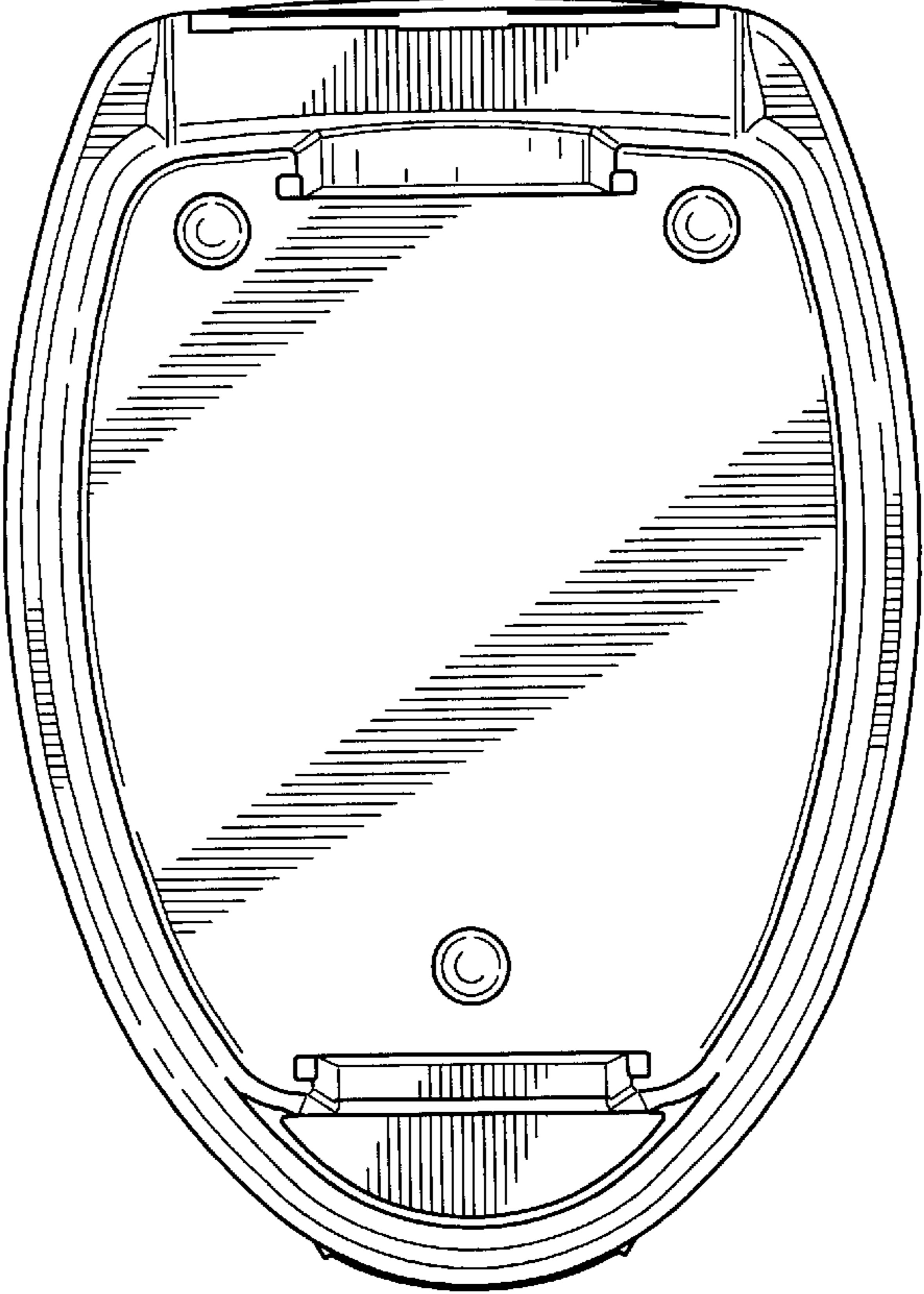


FIG. 10