

US00D506343S

(12) **United States Design Patent**  
**Holt**

(10) **Patent No.:** **US D506,343 S**  
(45) **Date of Patent:** **\*\* Jun. 21, 2005**

- (54) **BODY TOWEL**
- (76) Inventor: **Conde L. Holt**, 10033 131st Pl.  
Northeast, Kirkland, WA (US) 98033
- (\*\*) Term: **14 Years**
- (21) Appl. No.: **29/206,403**
- (22) Filed: **Jun. 1, 2004**
- (51) **LOC (8) Cl.** ..... **06-13**
- (52) **U.S. Cl.** ..... **D6/608**
- (58) **Field of Search** ..... D6/608, 609, 595,  
D6/596, 601-603; 5/495, 490, 417-420,  
482, 502; D2/500, 502, 881, 823, 861;  
15/209.1, 208; 139/396

- 5,321,863 A \* 6/1994 Yamaguchi et al. .... 5/655
- 5,322,918 A 6/1994 Kirby
- 5,441,789 A 8/1995 Walker
- 5,490,528 A 2/1996 Day
- D385,743 S \* 11/1997 Eldridge ..... D6/608
- 5,697,102 A 12/1997 Benjamin
- D409,821 S \* 5/1999 Holcombe ..... D2/861
- D418,713 S 1/2000 Robbins et al.

\* cited by examiner

*Primary Examiner*—Lucy Lieberman

(57) **CLAIM**

The ornamental design for a body towel, as shown and described.

**DESCRIPTION**

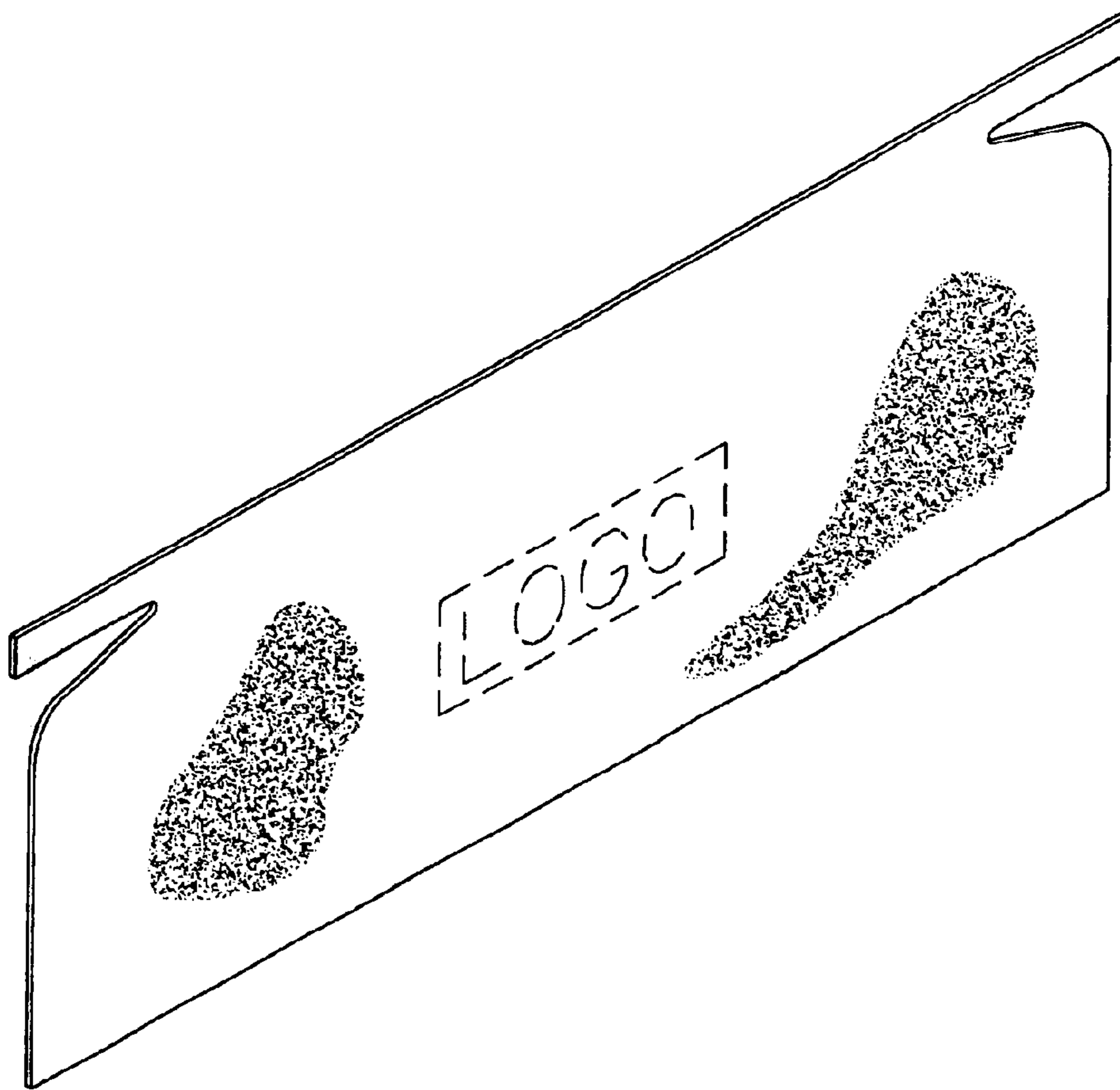
FIG. 1 is a front elevational view of a body towel showing my new design;  
 FIG. 2 is a rear elevational view thereof;  
 FIG. 3 is a side elevational view thereof;  
 FIG. 4 is a top plan view thereof;  
 FIG. 5 is a bottom plan view thereof; and,  
 FIG. 6 is a perspective view thereof.  
 The broken lines shown in FIGS. 1 and 6 are for illustrative purposes only and do not form part of the claimed design.

(56) **References Cited**

**U.S. PATENT DOCUMENTS**

- 783,867 A \* 2/1905 Hyman ..... 2/91
- 1,034,667 A \* 8/1912 Winter ..... 5/417
- 1,922,169 A \* 8/1933 Martin ..... 15/222
- 2,654,092 A \* 10/1953 Brennish ..... 2/50
- 3,629,865 A \* 12/1971 Weiner ..... 2/48
- 4,570,628 A \* 2/1986 Neal ..... 128/853
- 4,979,250 A \* 12/1990 Troncone et al. .... 5/494
- 5,062,157 A 11/1991 Muta

**1 Claim, 2 Drawing Sheets**



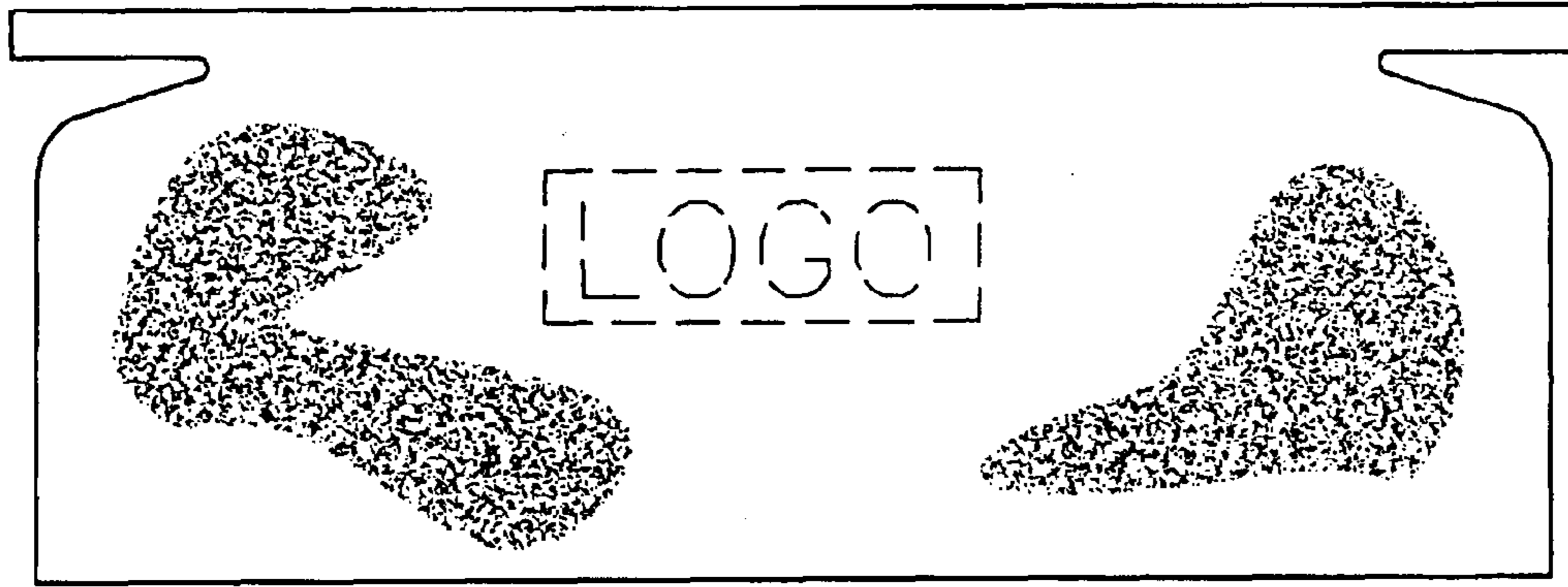


FIG. 1

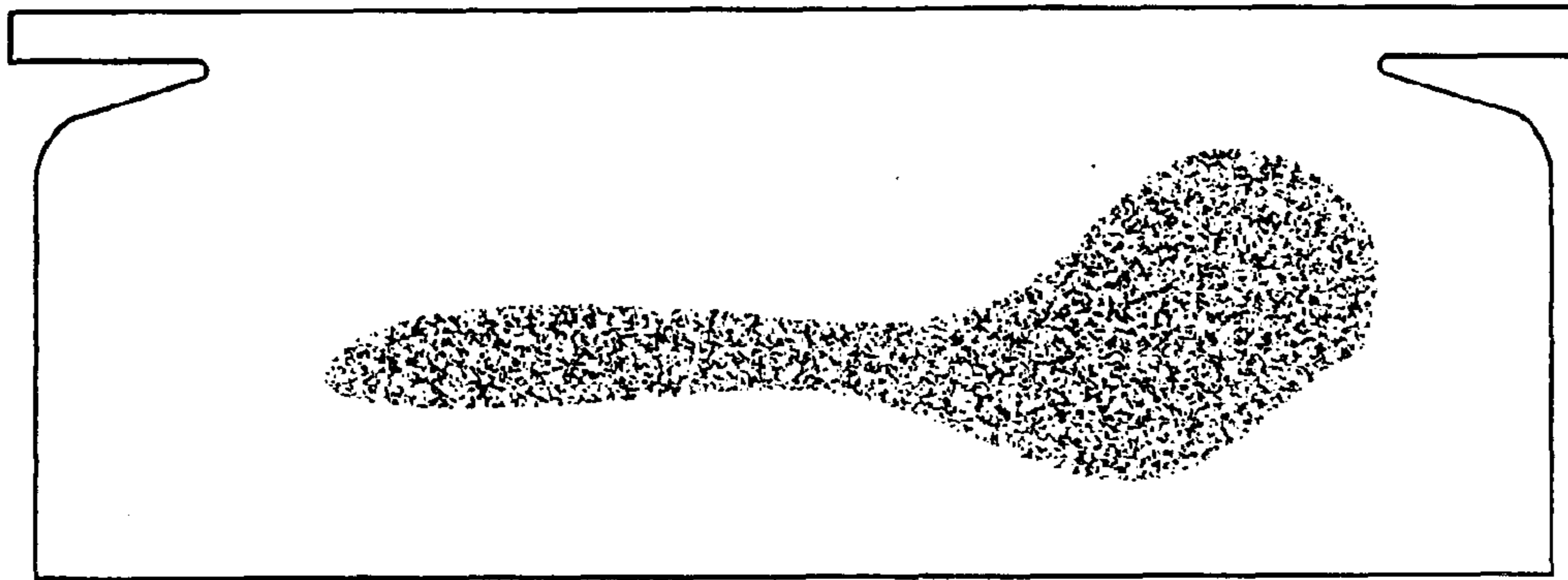


FIG. 2



FIG. 3



FIG. 4



FIG. 5

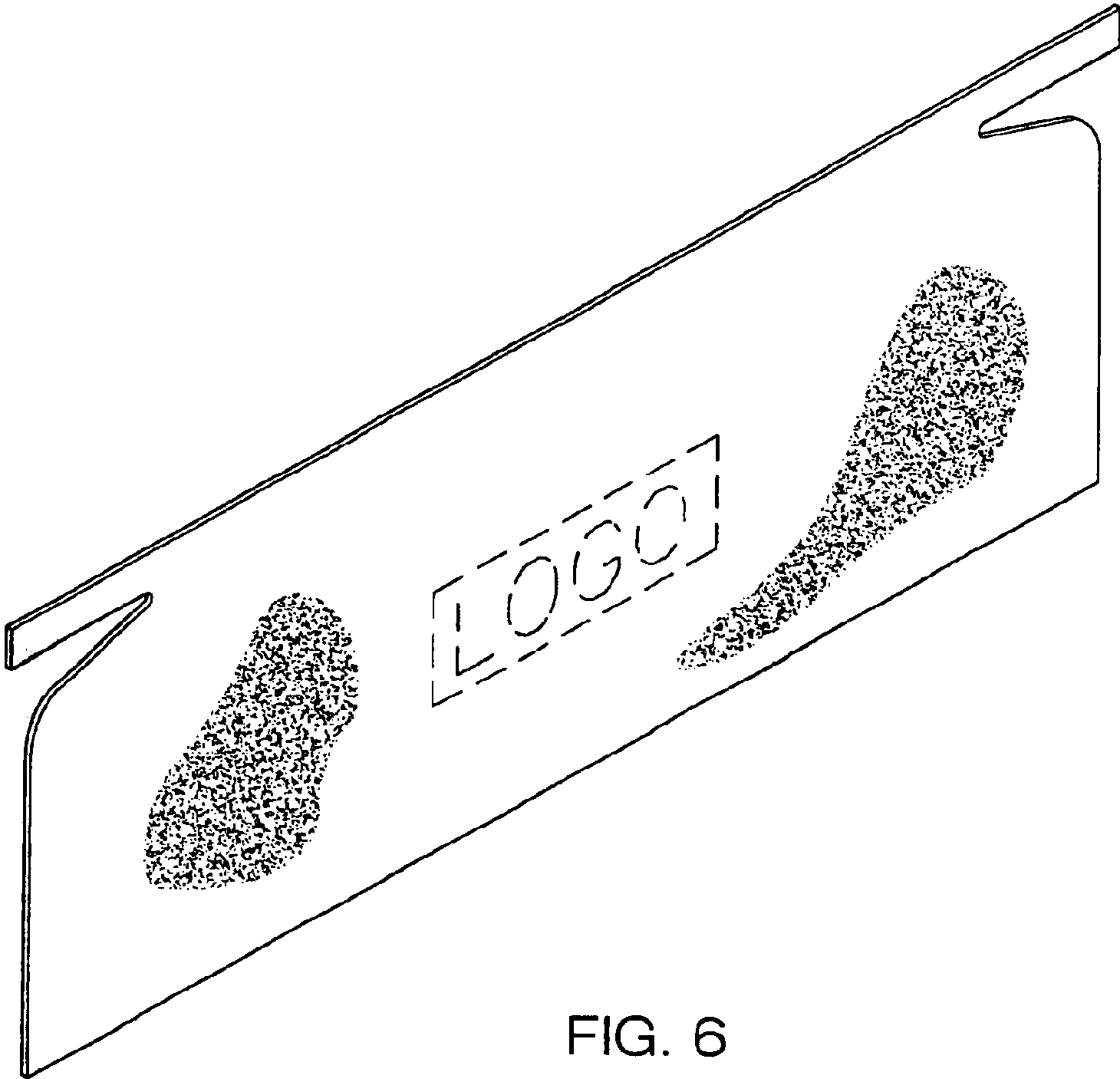


FIG. 6