

US00D506341S

(12) **United States Design Patent**
Gruner

(10) **Patent No.:** **US D506,341 S**
(45) **Date of Patent:** **** Jun. 21, 2005**

(54) **COVER FOR A CORD LOCK MECHANISM**

(75) **Inventor:** **Christopher Gruner**, Frederick, CO (US)

(73) **Assignee:** **Hunter Douglas Inc.**, Upper Saddle River, NJ (US)

(**) **Term:** **14 Years**

(21) **Appl. No.:** **29/210,107**

(22) **Filed:** **Jul. 26, 2004**

(51) **LOC (8) Cl.** **06-10**

(52) **U.S. Cl.** **D6/580**

(58) **Field of Search** D6/580, 577; 160/177 R, 160/178.1 R, 38-39

(56) **References Cited**

U.S. PATENT DOCUMENTS

| | | | | |
|----------------|---------|---------------|-------|-----------|
| 4,660,612 A | 4/1987 | Anderson | | 160/173 |
| 4,913,210 A | 4/1990 | Colson et al. | | 160/84.1 |
| D447,901 S * | 9/2001 | Horsten | | D6/580 |
| 6,325,133 B1 * | 12/2001 | Lin | | 160/177 R |

D453,440 S * 2/2002 Fraser et al. D6/580

* cited by examiner

Primary Examiner—Holly Baynham

(74) *Attorney, Agent, or Firm*—Dorsey & Whitney LLP

(57) **CLAIM**

I claim the ornamental design for a cover for a cord lock mechanism, as shown and described.

DESCRIPTION

FIG. 1 is an isometric looking down on the top of the cover.

FIG. 2 is a top plan view of the cover.

FIG. 3 is a front elevation of the cover.

FIG. 4 is a bottom plan view of the cover.

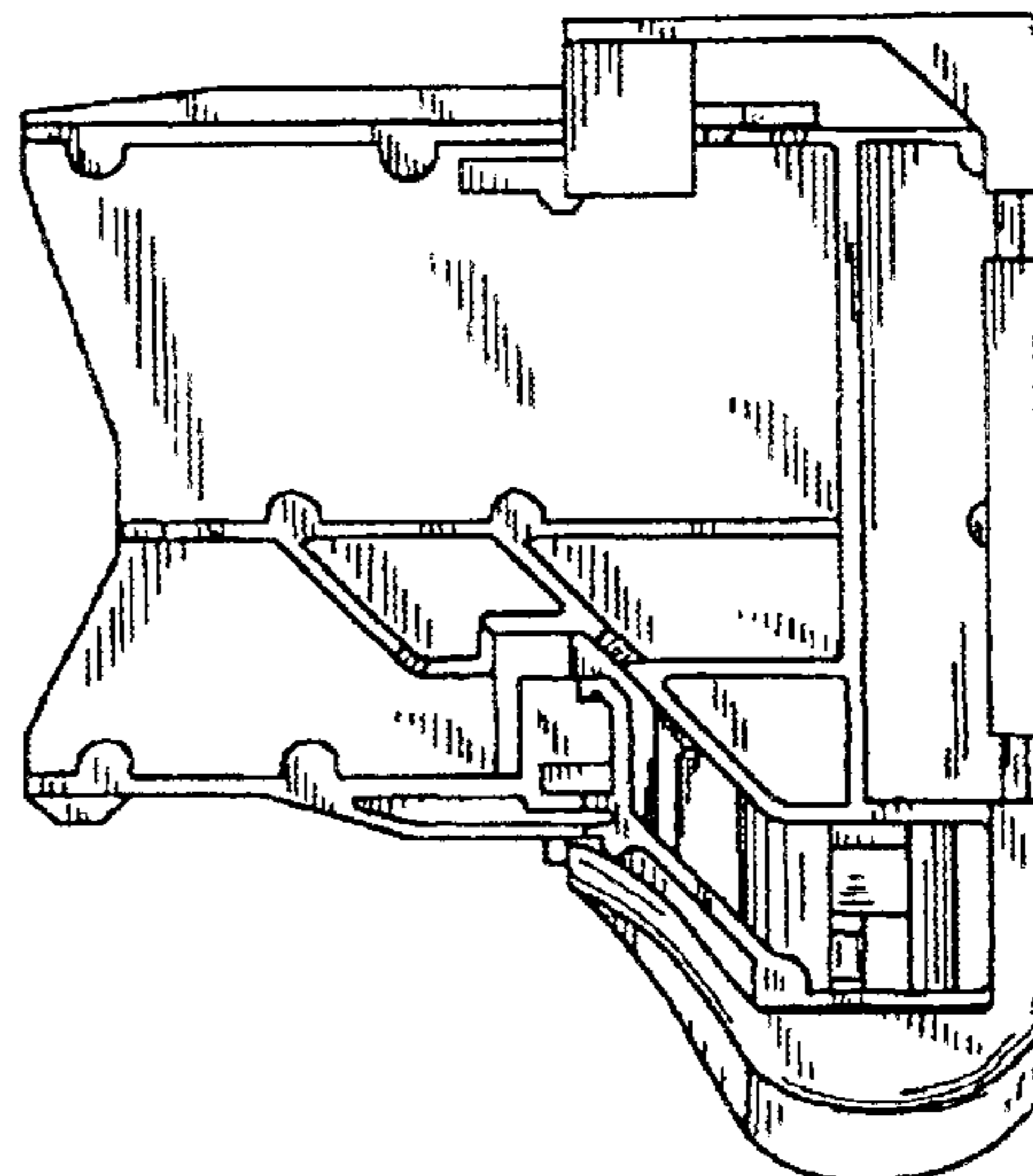
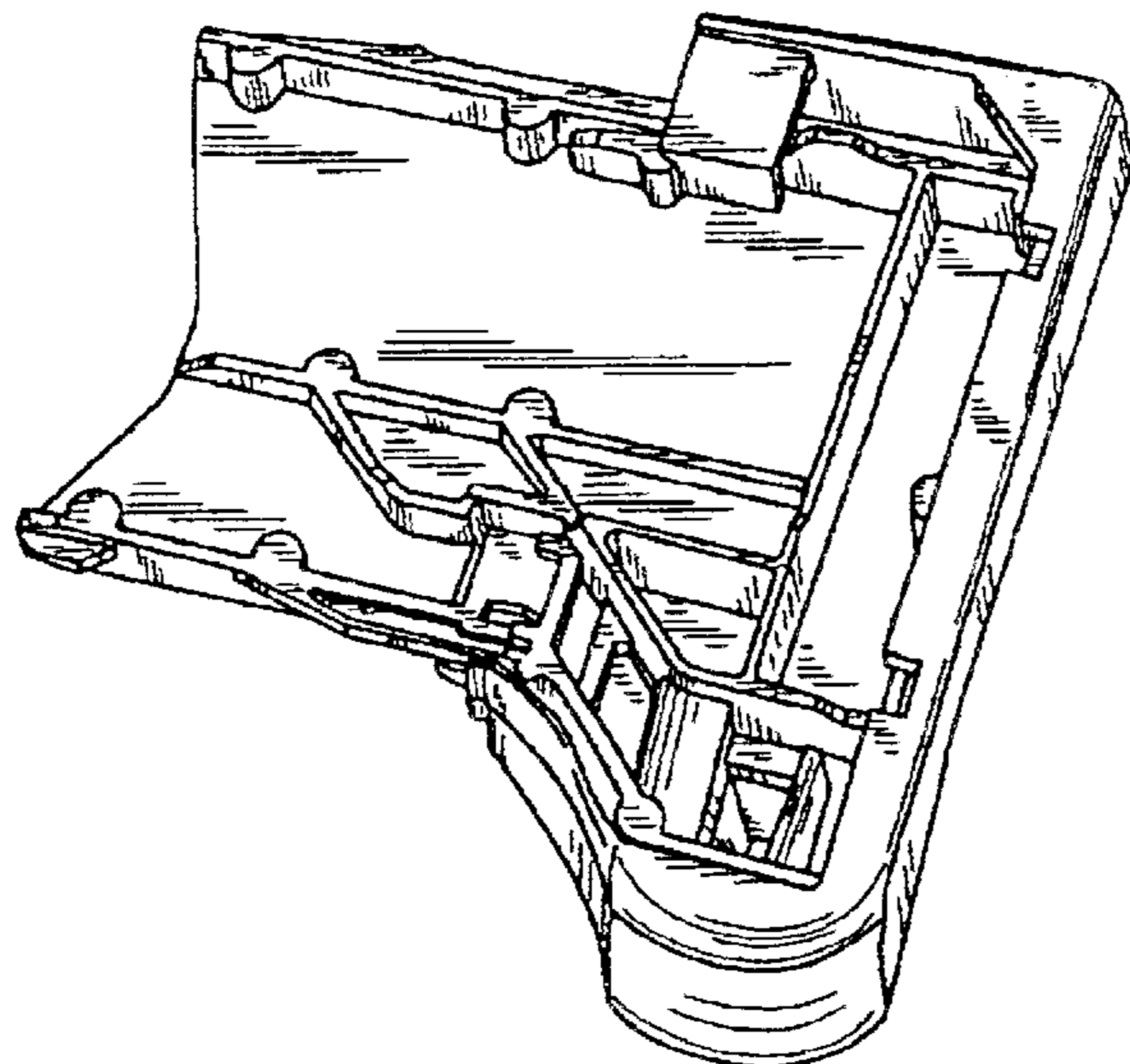
FIG. 5 is a rear elevation of the cover having been inverted.

FIG. 6 is a left side elevation of the cover having been inverted.

FIG. 7 is a right side elevation of the cover having been inverted; and,

FIG. 8 is an isometric showing the cover connected with a cord lock mechanism in a cellular shade product which is shown in dashed lines and does not form part of the design.

1 Claim, 4 Drawing Sheets



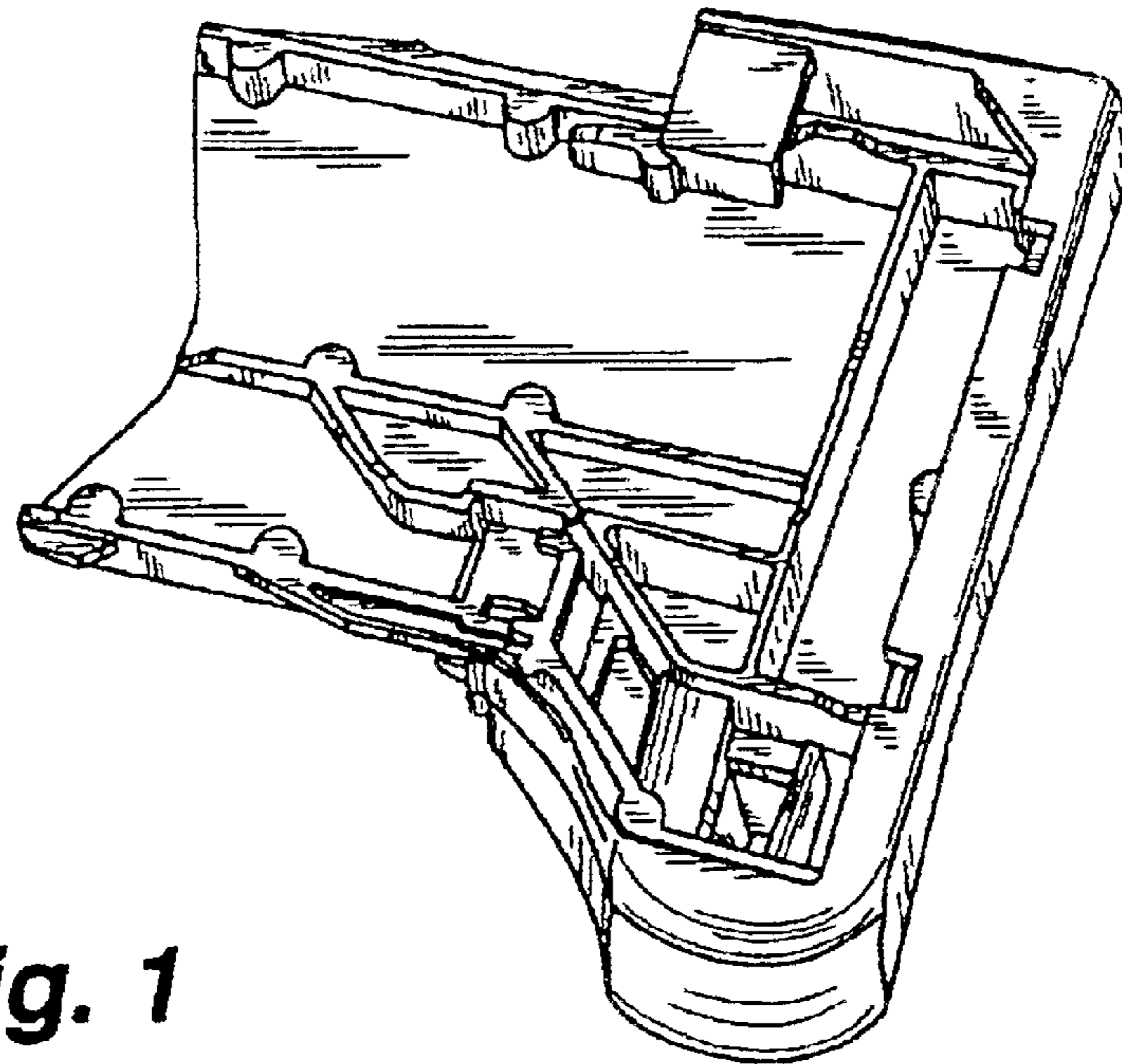


Fig. 1

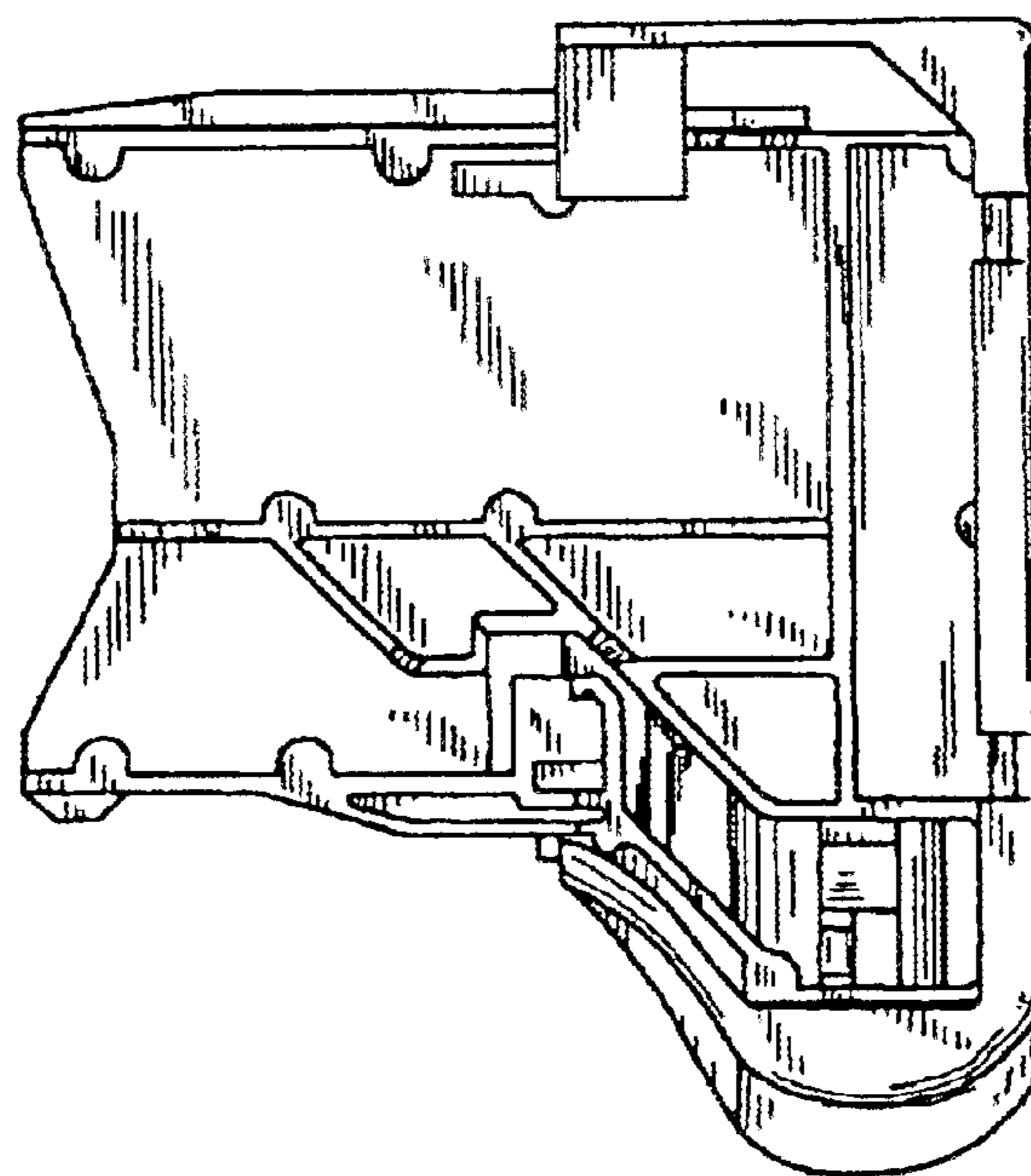


Fig. 2

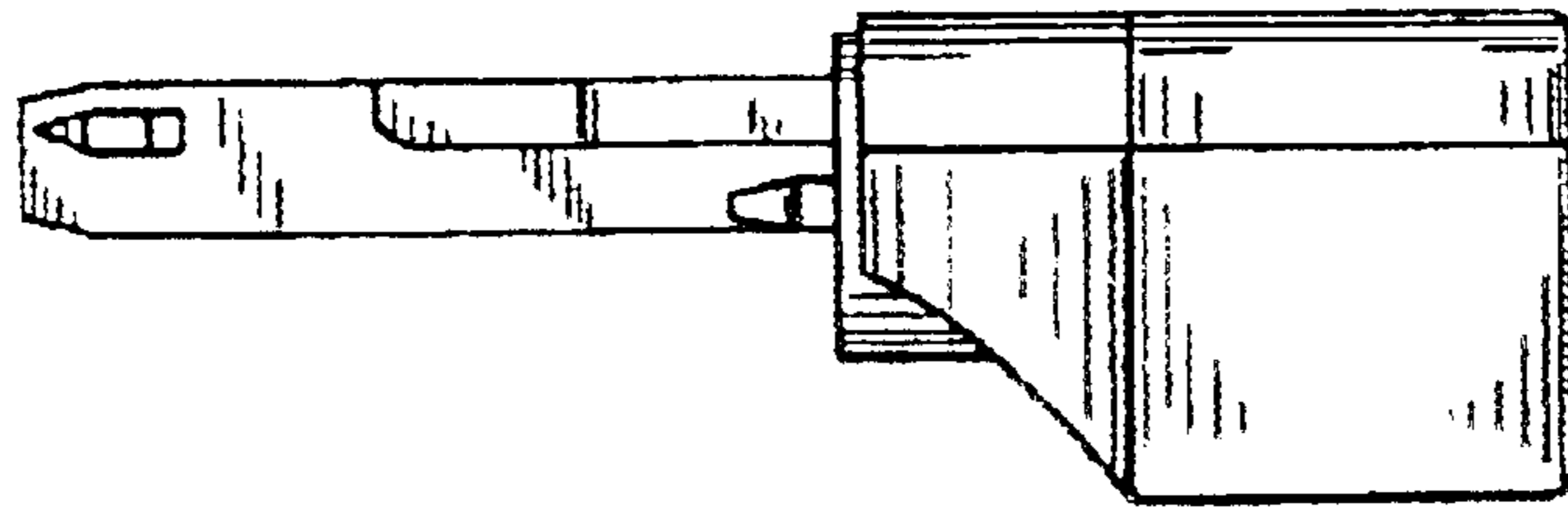


Fig. 3

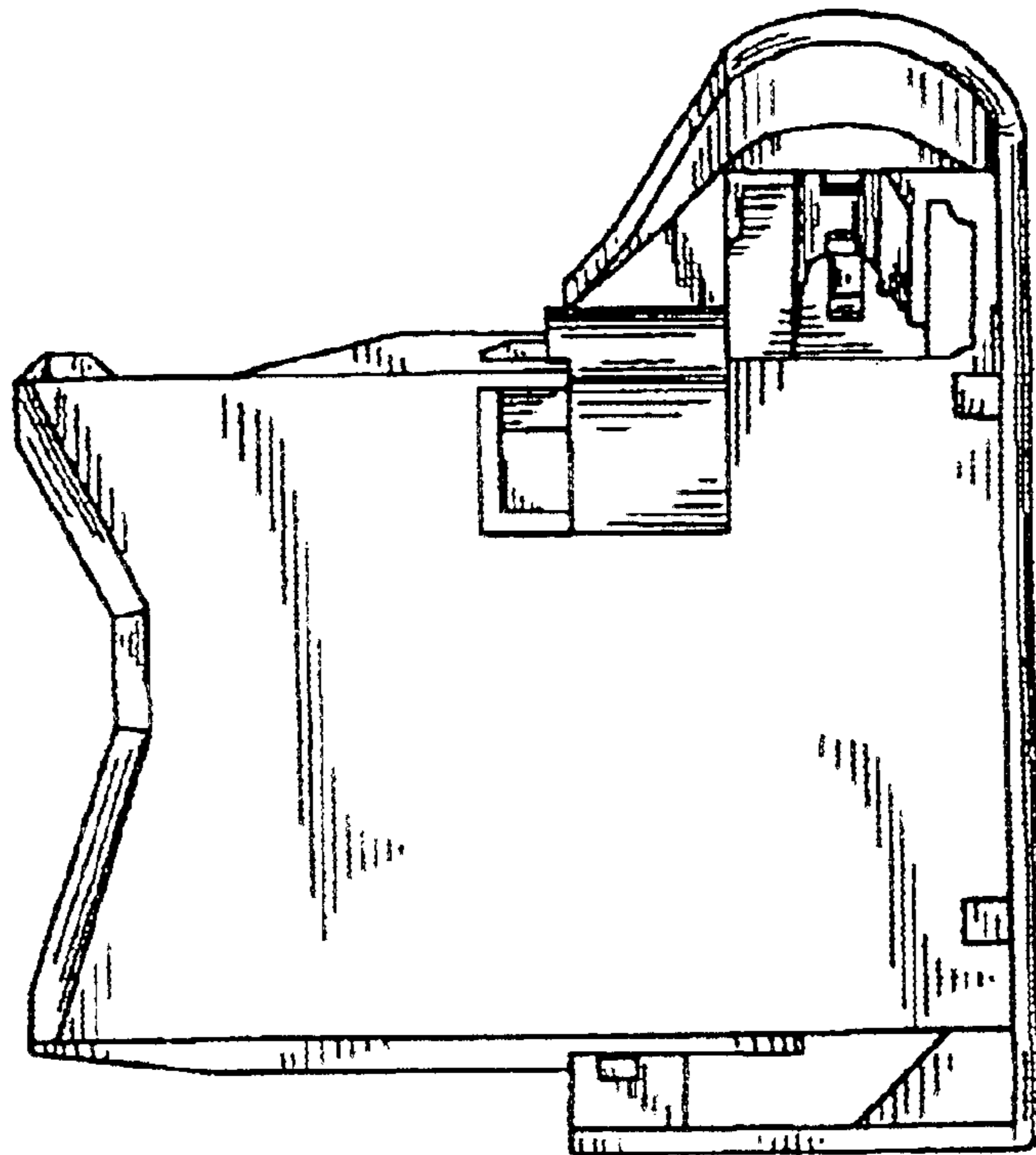


Fig. 4

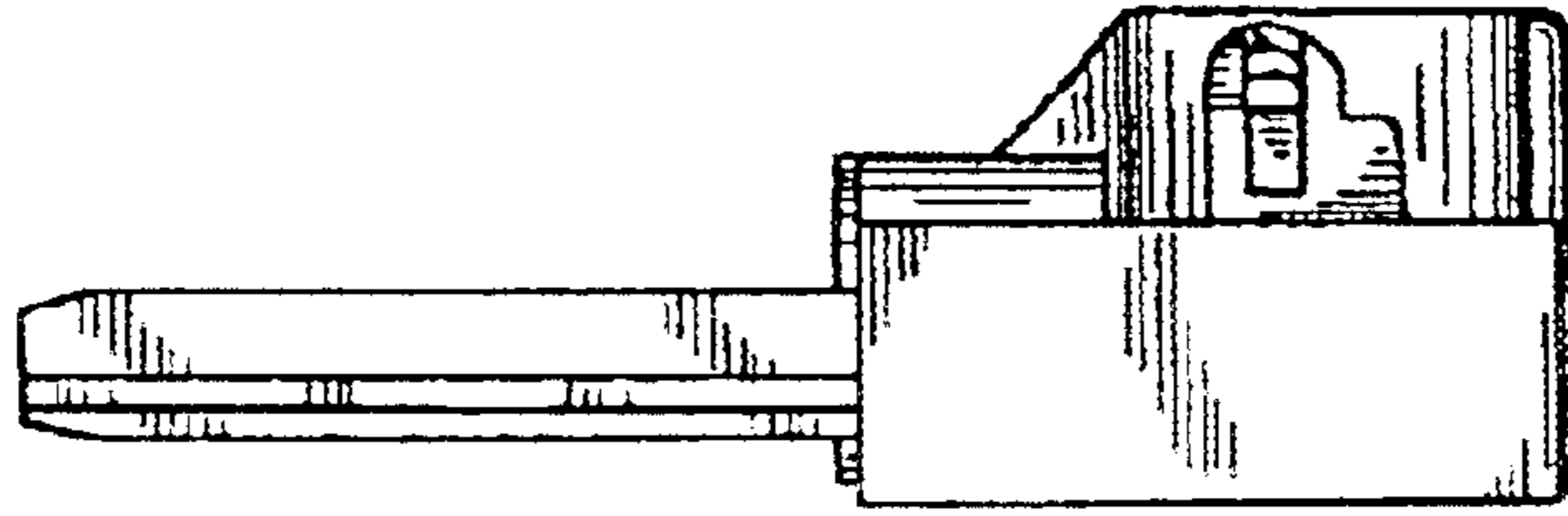


Fig. 5

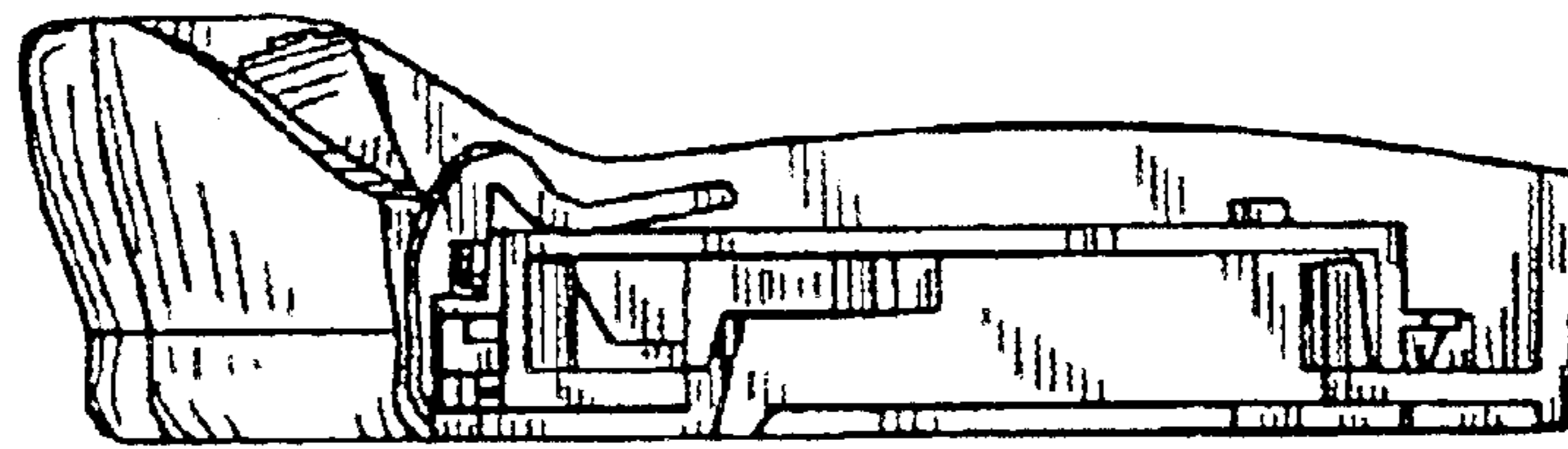


Fig. 6

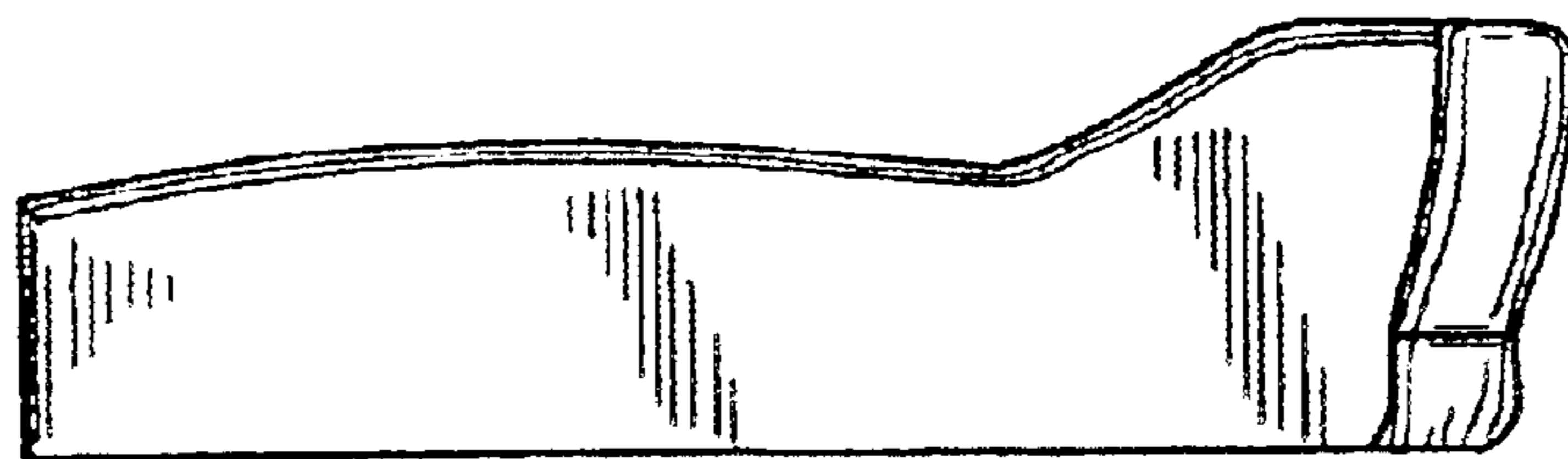


Fig. 7

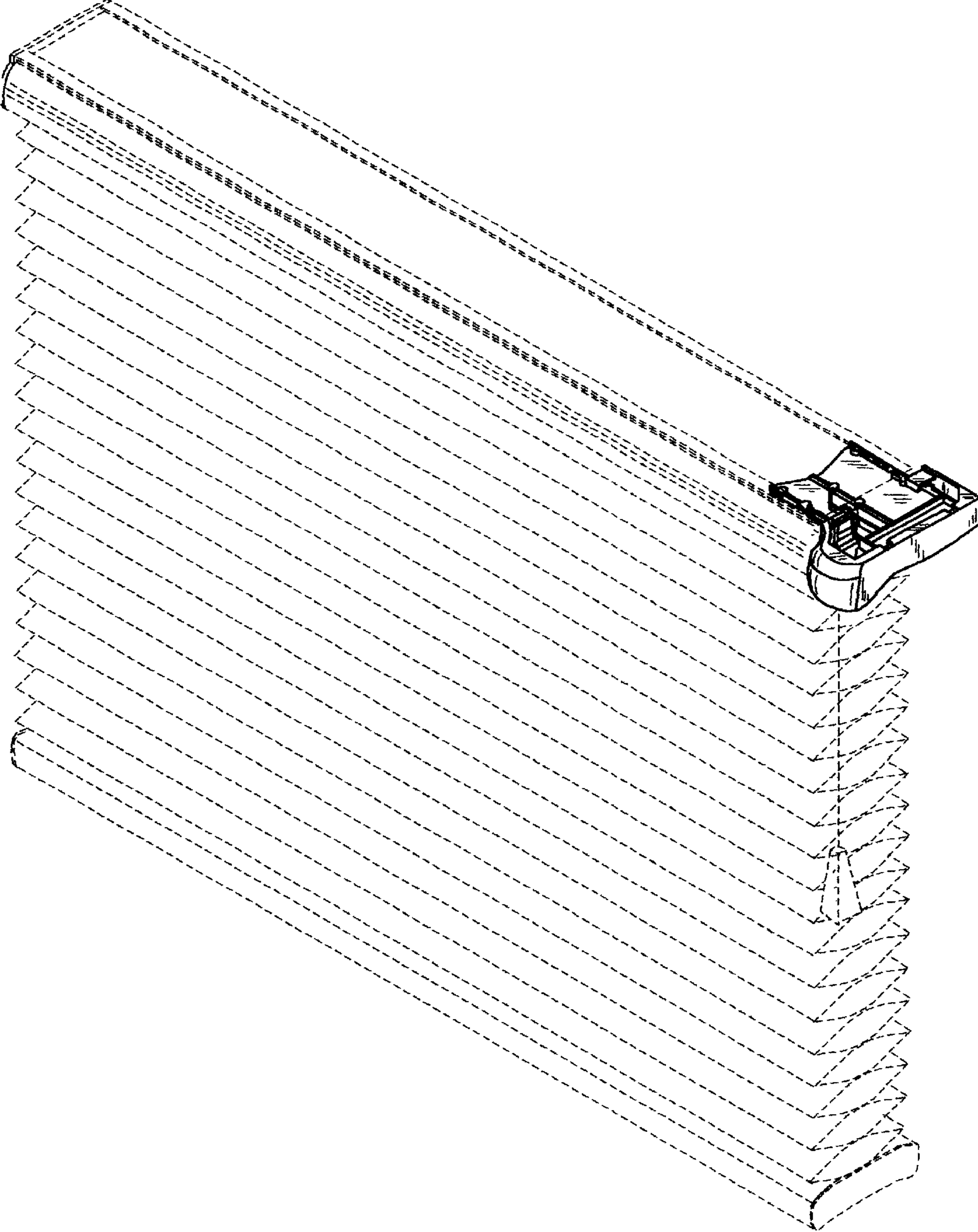


Fig. 8