

US00D506339S

(12) **United States Design Patent**  
**Ripper et al.**

(10) **Patent No.:** **US D506,339 S**  
(45) **Date of Patent:** **\*\* Jun. 21, 2005**

(54) **SEAT BACK**

(75) Inventors: **Brett Ripper**, Chicora, PA (US);  
**Arthur C. Slear**, Butler, PA (US)

(73) Assignee: **Keystone Ridge Designs, Inc.**, Bulter, PA (US)

(\*\*) Term: **14 Years**

(21) Appl. No.: **29/188,968**

(22) Filed: **Aug. 26, 2003**

(51) **LOC (8) Cl.** ..... **06-01**

(52) **U.S. Cl.** ..... **D6/502**

(58) **Field of Search** ..... D6/334-336, 370-374,  
D6/379-381, 500-502; 297/232, 445.1,  
446.1, 447.1

(56) **References Cited**

**U.S. PATENT DOCUMENTS**

D165,077 S	*	11/1951	Kandarian	.....	D6/379
D191,306 S	*	9/1961	Grosskopf et al.	.....	D6/349
D219,018 S	*	10/1970	Brewer	.....	D6/380
D380,313 S		7/1997	Slear		
D446,399 S	*	8/2001	Slear	.....	D6/370
D453,635 S	*	2/2002	Lin	.....	D6/381
D458,044 S	*	6/2002	Slear et al.	.....	D6/370
D474,619 S	*	5/2003	Arnold et al.	.....	D6/370

**OTHER PUBLICATIONS**

0287/KEY Buyline 7880. Vol. 1. McGraw Hill Construction  
Sweets Catalog File 2004.\*  
*The Tenth Street Bench*, Labyrinth Designs.

*Pavilion Chair*, Design Within Reach.  
*Le Corbusier Chaise Lounge*, Design Within Reach.  
*The Fort Pitt Bench*, Labyrinth Designs.

\* cited by examiner

*Primary Examiner*—Robert M. Spear  
*Assistant Examiner*—Vy Nguyen  
(74) *Attorney, Agent, or Firm*—Heslin Rothenberg Farley  
& Mesiti P.C.; John Pietrangelo

(57) **CLAIM**

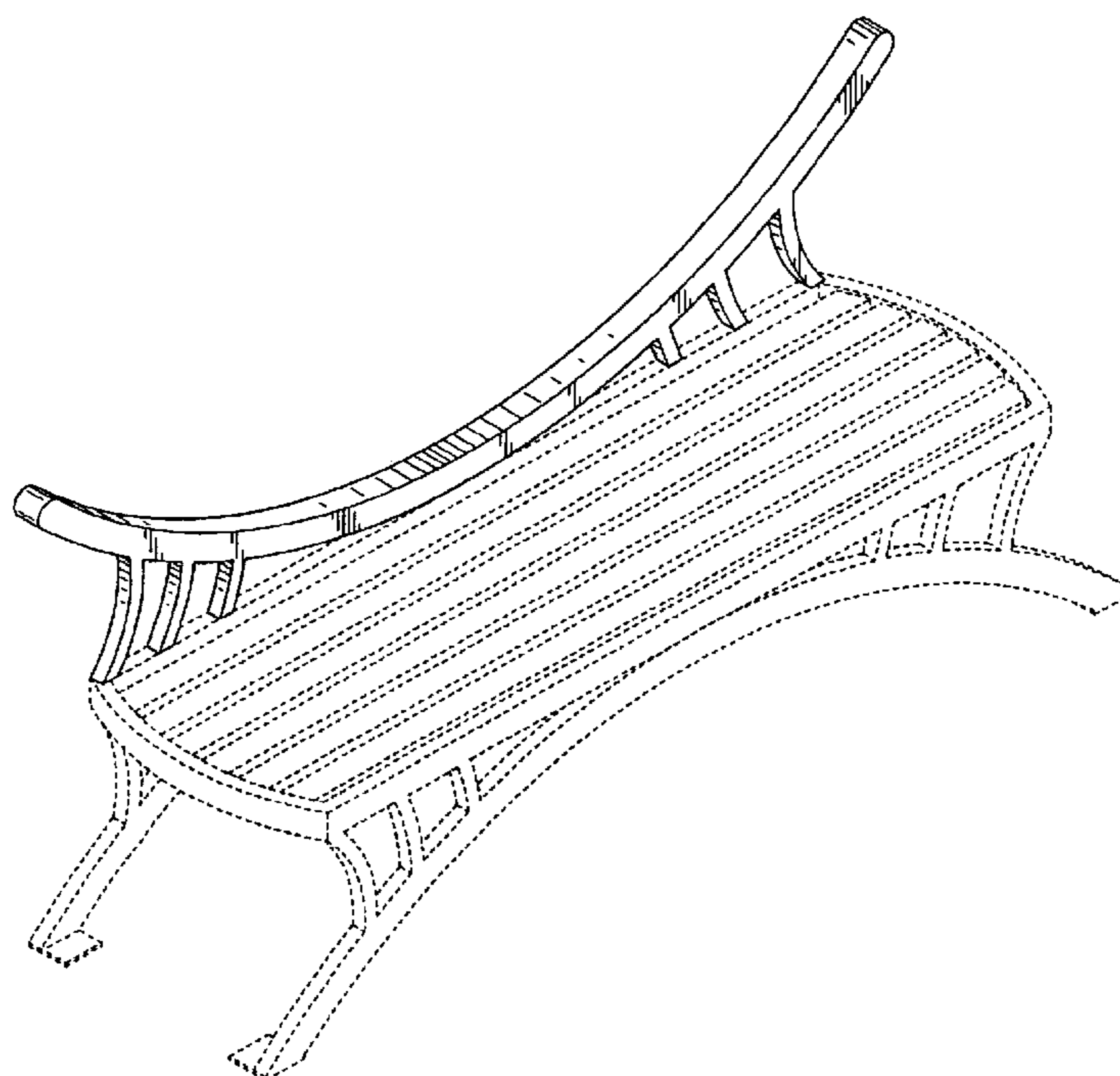
The ornamental design for a seat back, as shown and described.

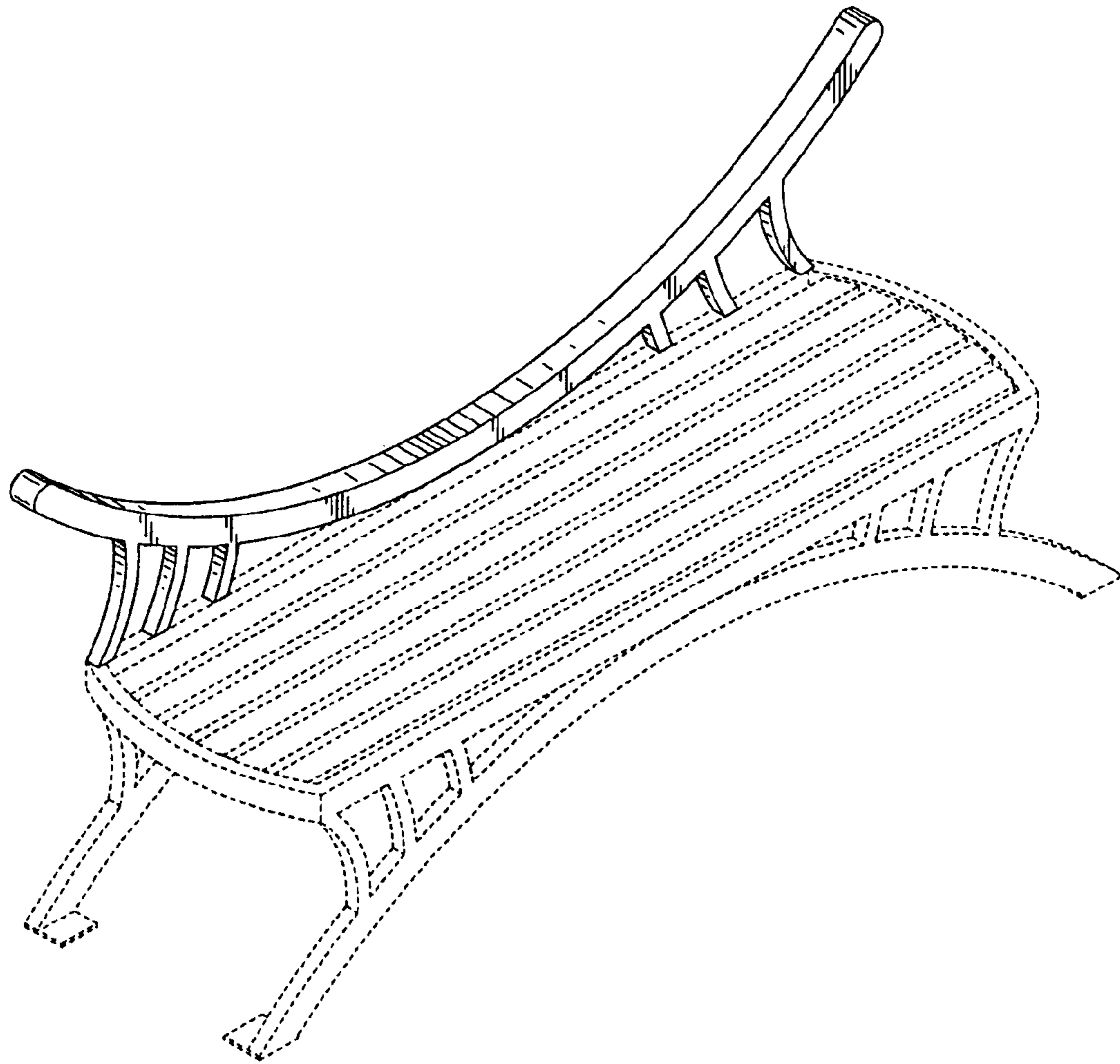
**DESCRIPTION**

FIG. 1 is a perspective view of a seat back comprising the new design;  
FIG. 2 is a top view thereof;  
FIG. 3 is a front elevational view thereof;  
FIG. 4 is a right side elevational view thereof, where the left side elevational view is a mirror image thereof;  
FIG. 5 is a rear elevational view thereof; and,  
FIG. 6 is a perspective view of an alternate embodiment of a seat back, portions of which are cut away to illustrate indeterminate length, which is the sole difference between it and FIGS. 1 through 5.

The broken lines are for illustrative purposes and form no part of the claimed design.

**1 Claim, 4 Drawing Sheets**

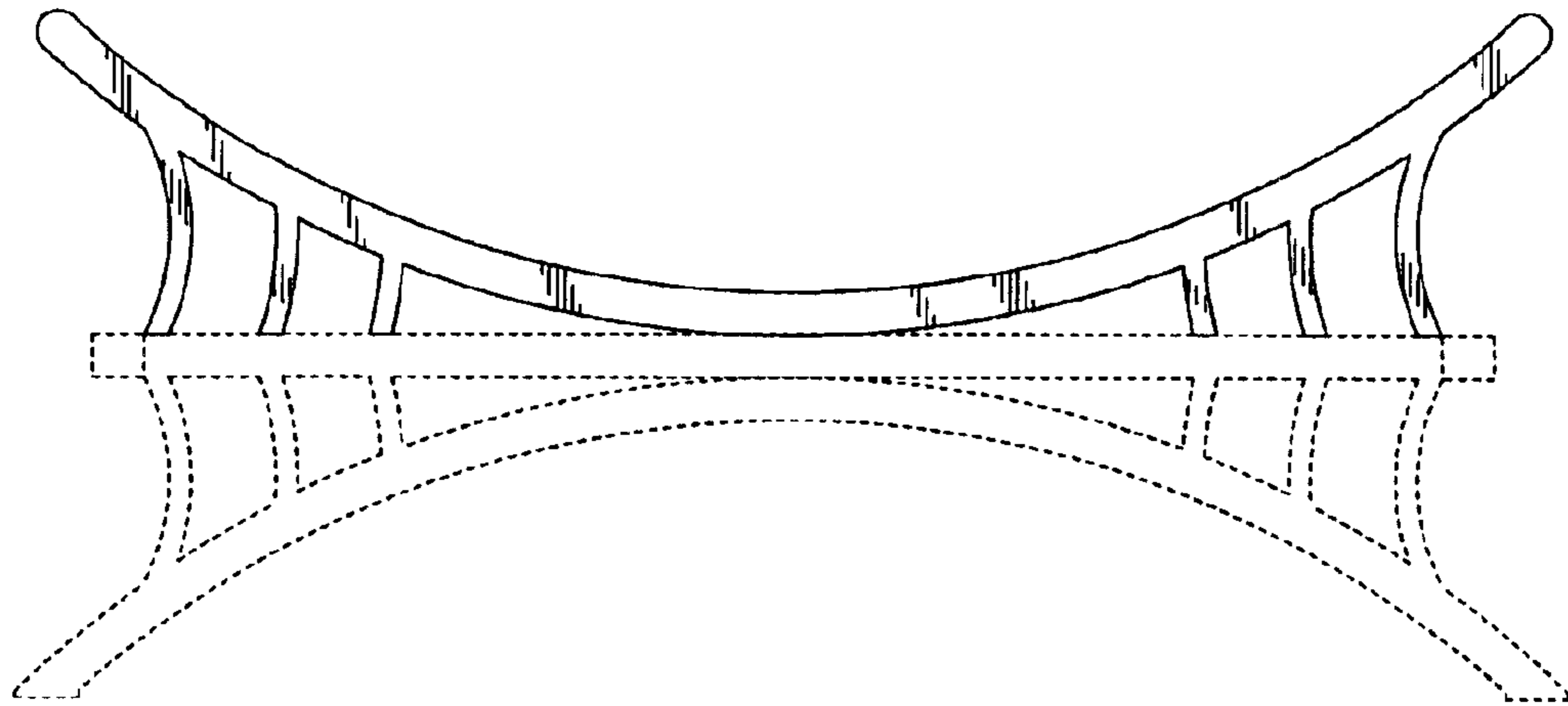




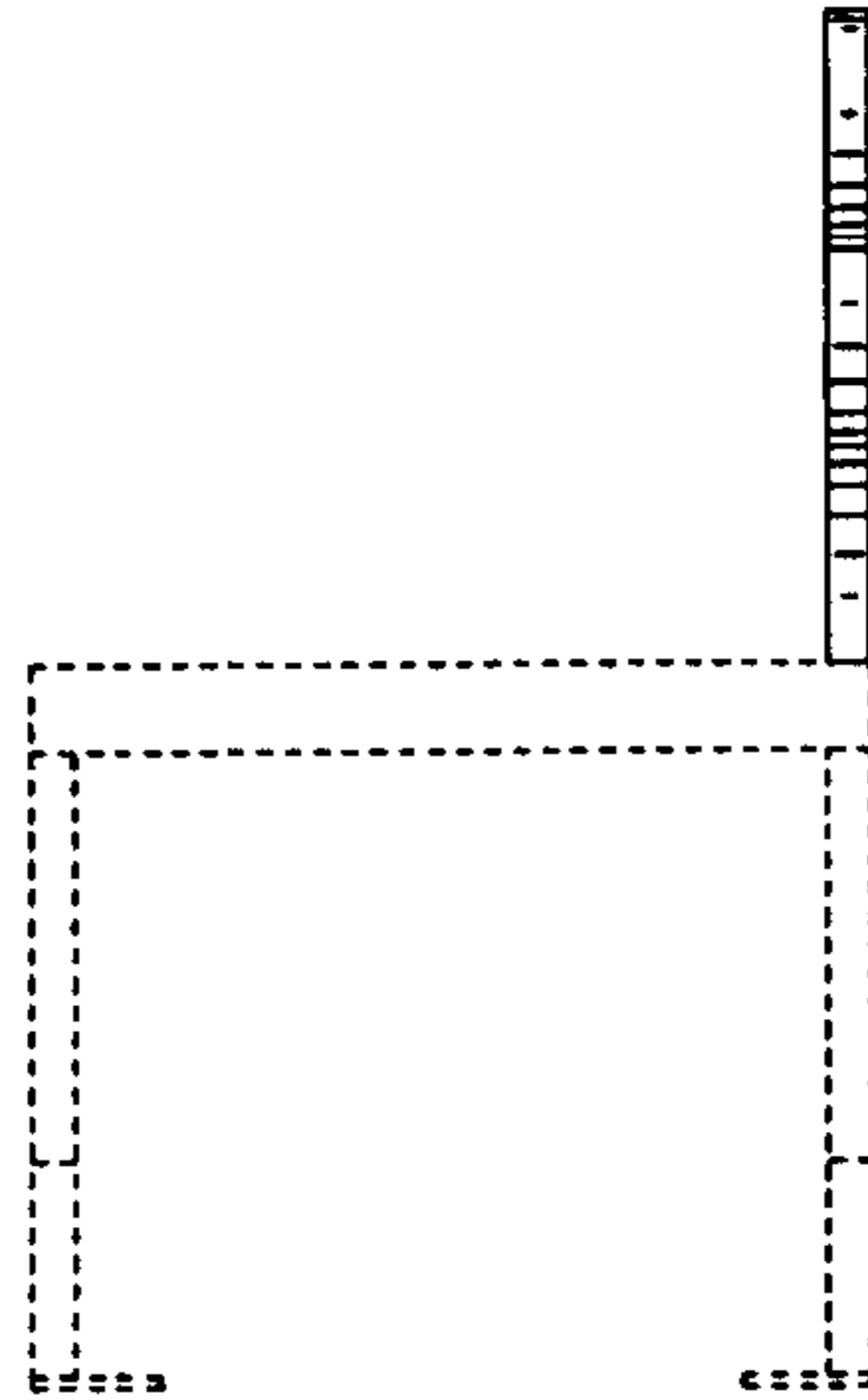
**FIG. 1**



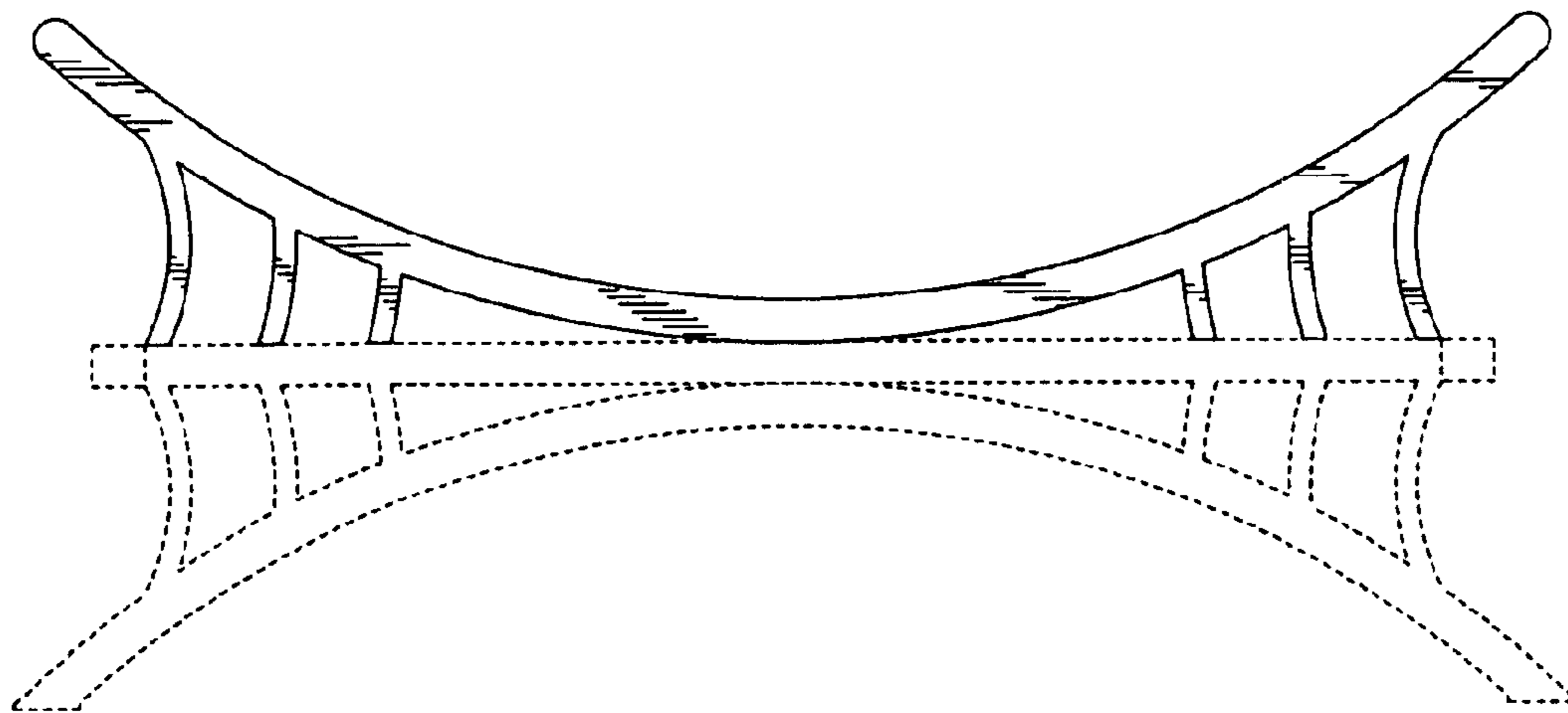
**FIG. 2**



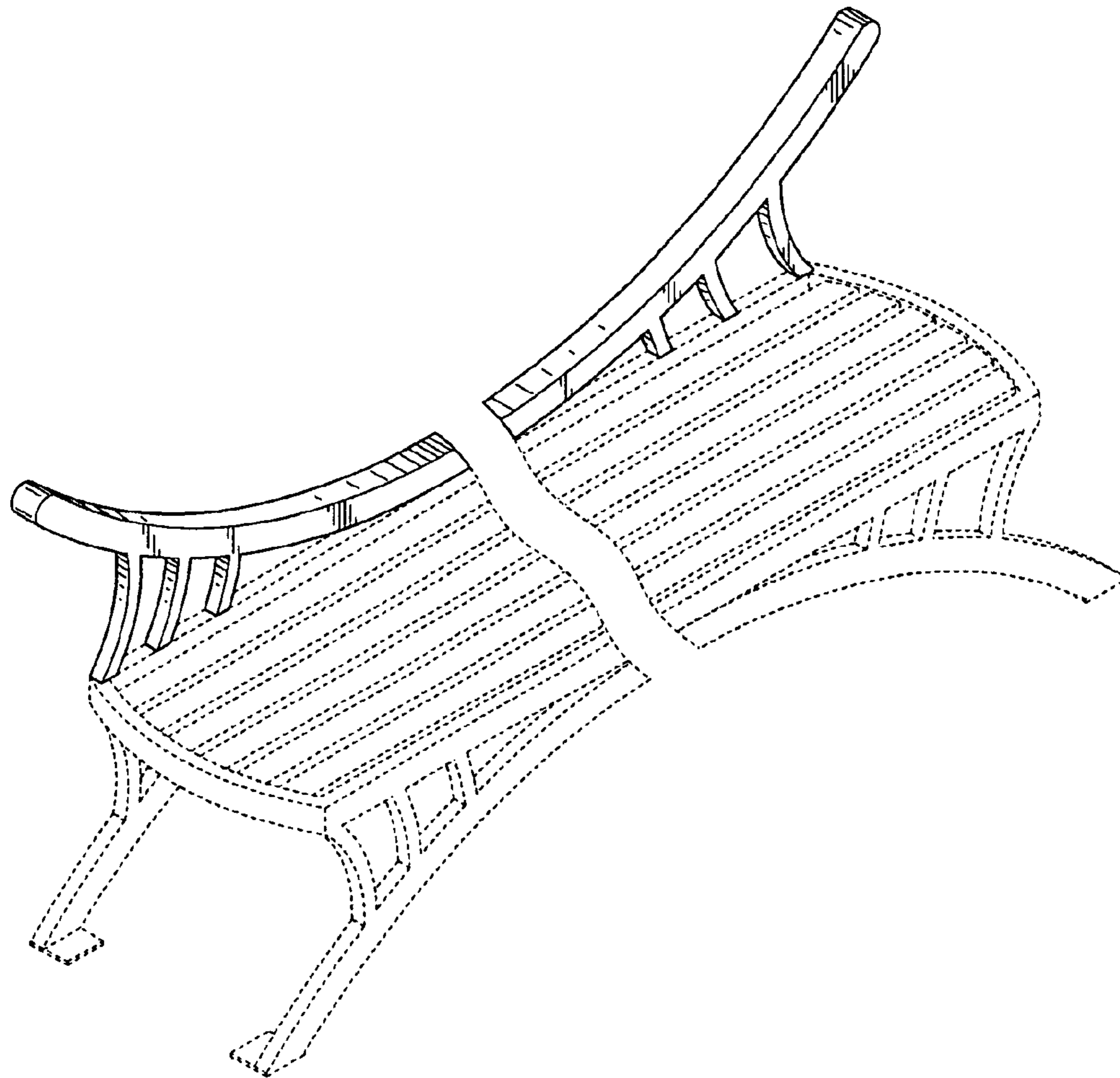
**FIG. 3**



**FIG. 4**



**FIG. 5**



**FIG. 6**

UNITED STATES PATENT AND TRADEMARK OFFICE  
**CERTIFICATE OF CORRECTION**

PATENT NO. : Des. 506,339 S  
DATED : June 21, 2005  
INVENTOR(S) : Ripper et al.

Page 1 of 1

It is certified that error appears in the above-identified patent and that said Letters Patent is hereby corrected as shown below:

Title page.

Item [73], Assignee, delete "Bulter, PA (US)" and insert -- Butler, PA (US) --.

Signed and Sealed this

Thirtieth Day of August, 2005

A handwritten signature in black ink on a light gray dotted background. The signature reads "Jon W. Dudas" in a cursive style.

JON W. DUDAS

*Director of the United States Patent and Trademark Office*