

US00D506336S

(12) **United States Design Patent**
Bock

(10) **Patent No.: US D506,336 S**
(45) **Date of Patent: ** Jun. 21, 2005**

(54) **ARMREST**
(75) **Inventor: Hermann Bock, Pyrbaum (DE)**
(73) **Assignee: Bock 1 GmbH & Co., KG,**
Postbauer-Heng (DE)
(**) **Term: 14 Years**

D407,246 S * 3/1999 Stumpf D6/501
D407,911 S * 4/1999 Brauning D6/366
D411,396 S * 6/1999 Stumpf D6/501
D445,613 S * 7/2001 Ginat D6/500
D446,062 S * 8/2001 Su D6/501
D453,079 S * 1/2002 Ma D6/366
2002/0043863 A1 * 4/2002 Roslund et al. 297/411.36

(21) **Appl. No.: 29/214,762**
(22) **Filed: Oct. 7, 2004**
(30) **Foreign Application Priority Data**

Jun. 9, 2004 (EM) 000187133

(51) **LOC (8) Cl. 06-06**
(52) **U.S. Cl. D6/501; D6/366**
(58) **Field of Search D6/334, 364, 365,**
D6/366, 367, 500, 501, 502; 297/411.2,
411.27, 411.36

(56) **References Cited**

U.S. PATENT DOCUMENTS

D277,916 S * 3/1985 Aronowitz et al. D6/501
D349,621 S * 8/1994 Wilson D6/501
D371,474 S * 7/1996 Koopman D6/501
D390,712 S * 2/1998 Koepke et al. D6/366
D395,761 S * 7/1998 Saul D6/366
D401,771 S * 12/1998 Goodworth et al. D6/366

OTHER PUBLICATIONS

Office chair, p. 23, SoHo Today catalog, Sep. 2002.*

* cited by examiner

Primary Examiner—Mimosa De

(74) *Attorney, Agent, or Firm*—Laurence A. Greenberg;
Werner H. Stemer; Ralph E. Locher

(57) **CLAIM**

The ornamental design for an armrest, as shown and described.

DESCRIPTION

FIG. 1 is a top perspective view of the armrest according to my new design;

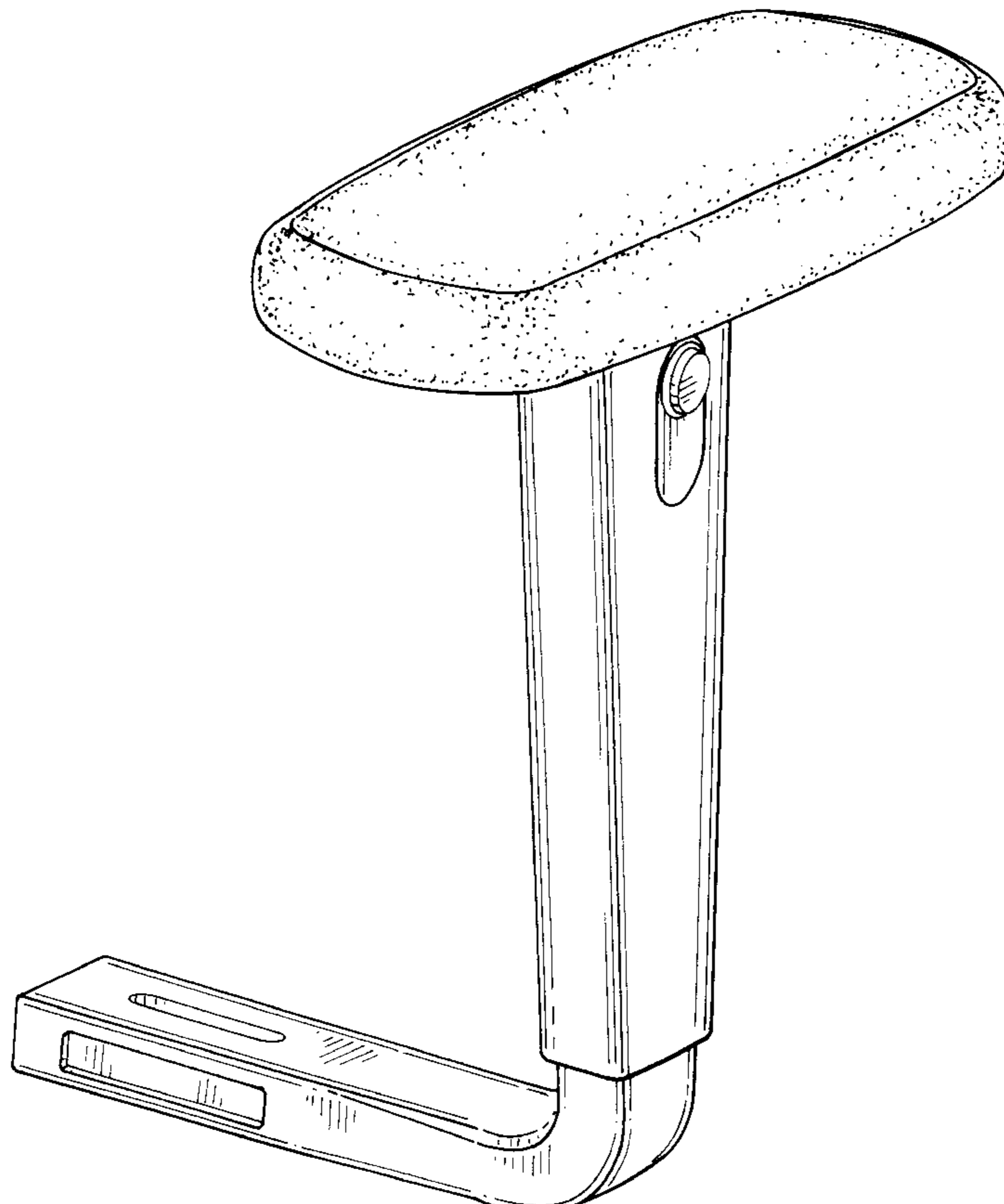
FIG. 2 is a bottom perspective view thereof;

FIG. 3 is a left side elevational view thereof, it being understood that the opposite side view is a mirror image;

FIG. 4 is a top plan view thereof; and,

FIG. 5 is a bottom plan view thereof.

1 Claim, 5 Drawing Sheets



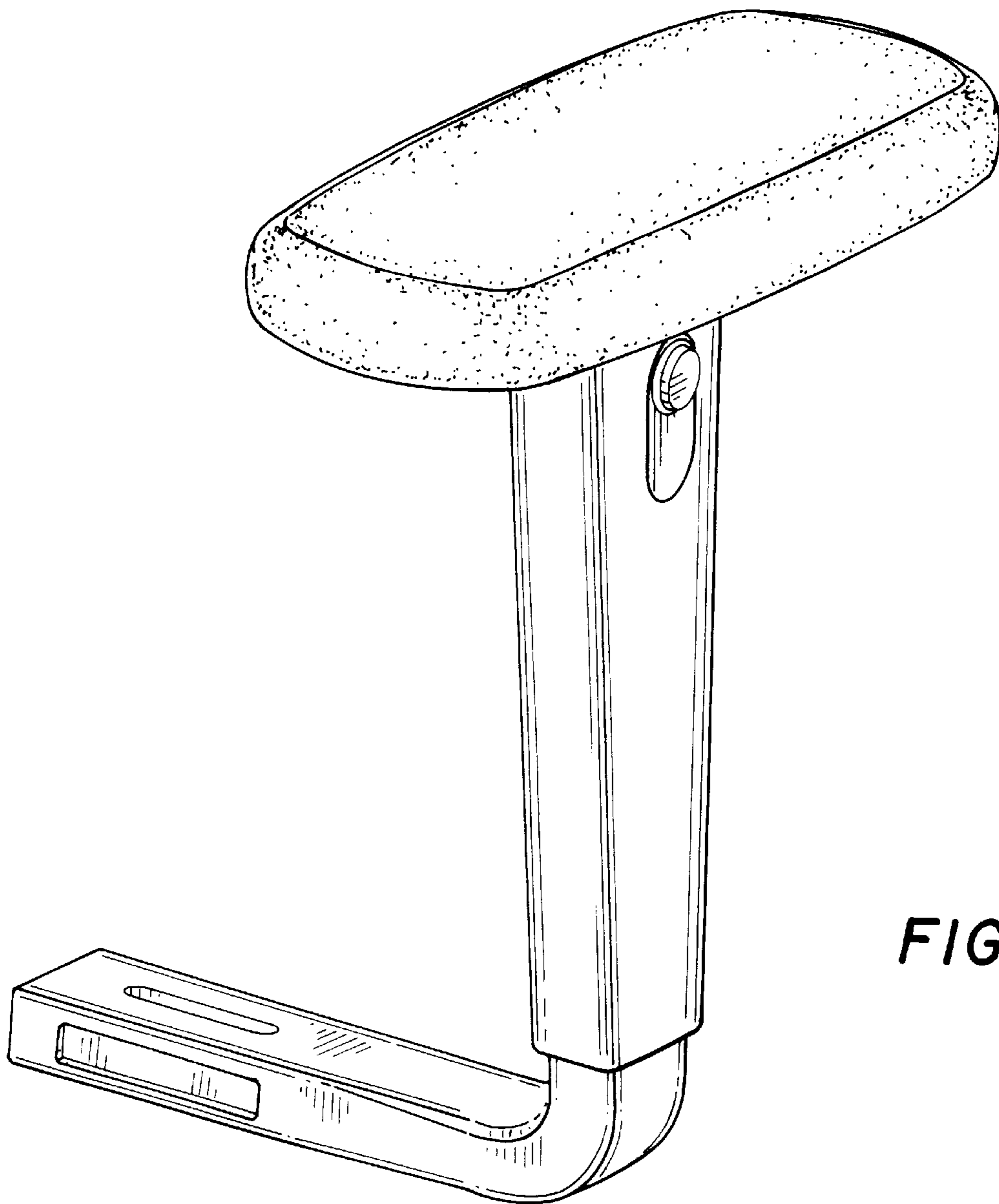


FIG. 1

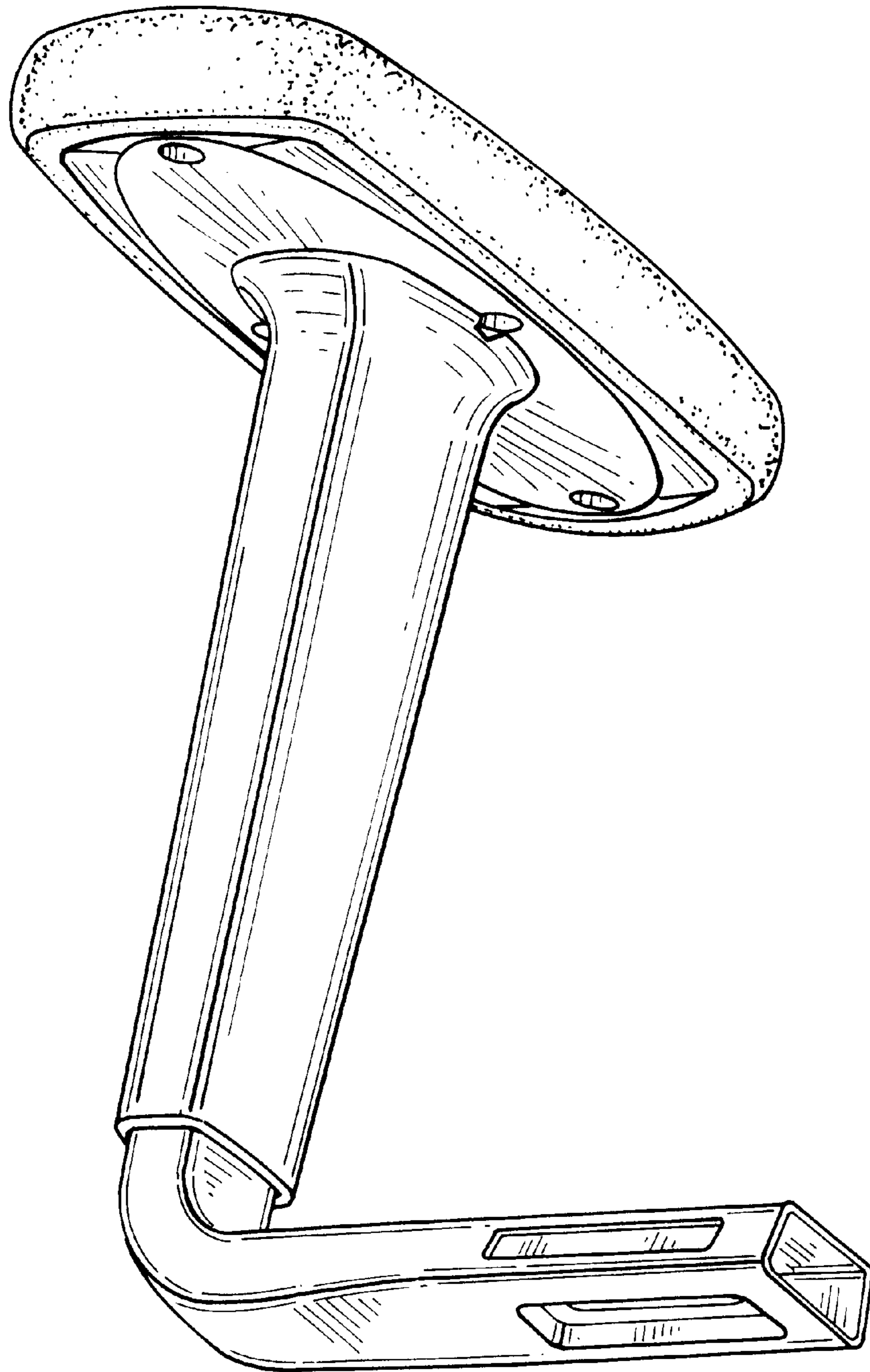


FIG. 2

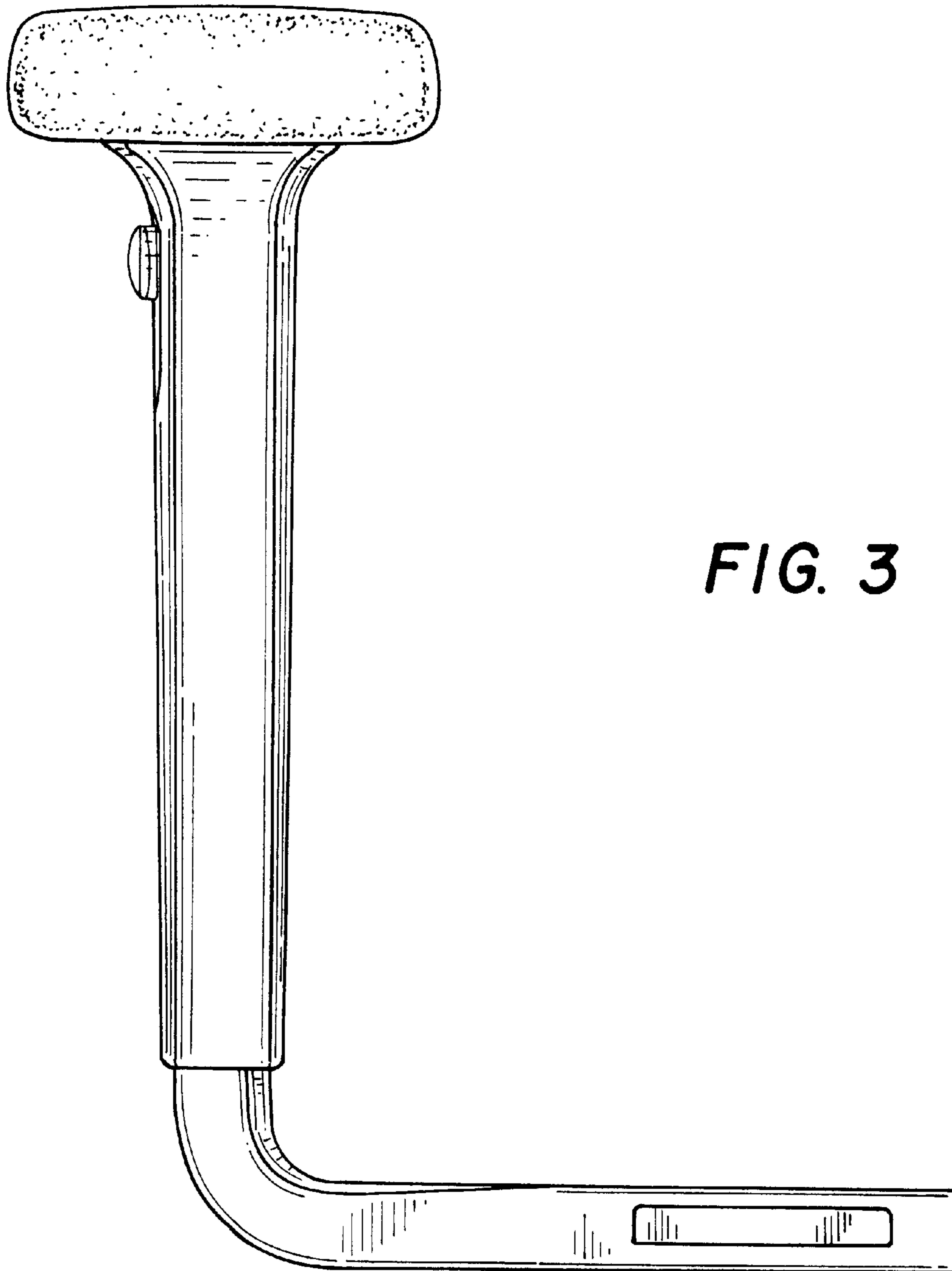


FIG. 3

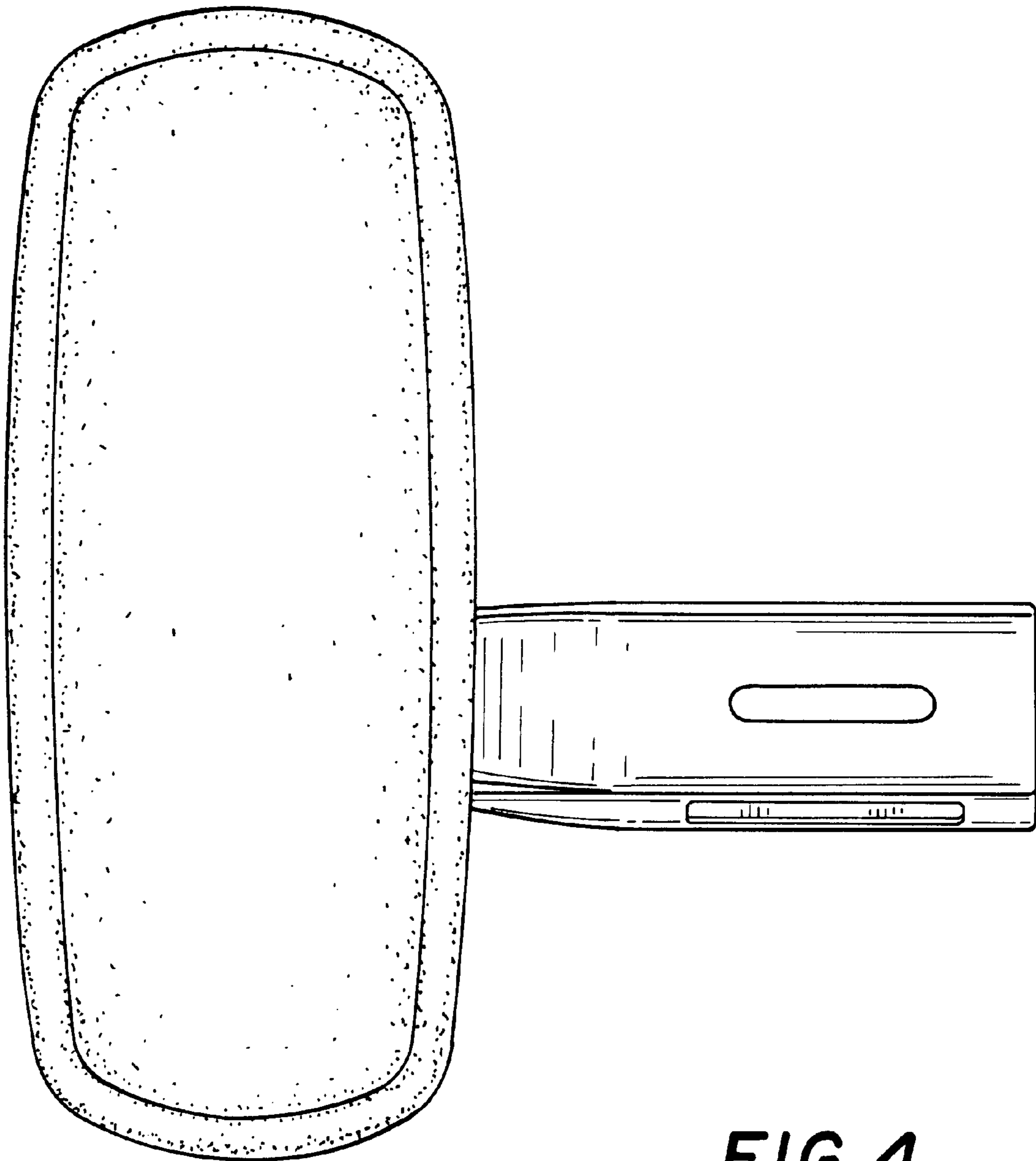


FIG. 4

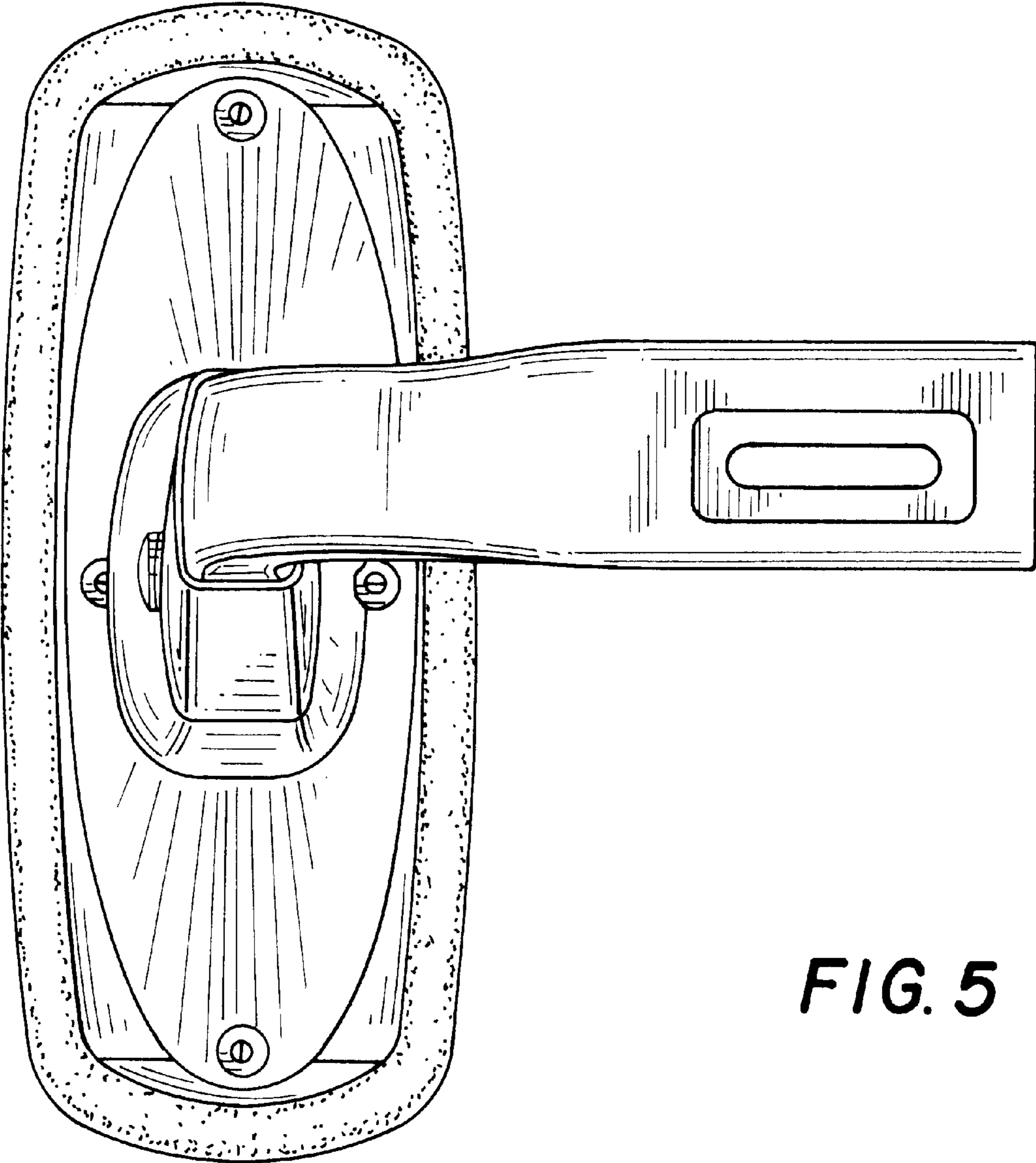


FIG. 5