



US00D506334S

(12) **United States Design Patent**
Chu

(10) **Patent No.:** **US D506,334 S**
(45) **Date of Patent:** **** Jun. 21, 2005**

(54) **CHAIR**

(75) Inventor: **Zooley Chu**, Grand Rapids, MI (US)

(73) Assignee: **Global Total Office**, Ontario (CA)

(**) Term: **14 Years**

(21) Appl. No.: **29/202,977**

(22) Filed: **Apr. 8, 2004**

(51) **LOC (8) Cl.** **06-06**

(52) **U.S. Cl.** **D6/500; D6/500**

(58) **Field of Search** D6/334, 364, 365,
D6/366, 367, 498, 500-502; 297/411.2,
411.28, 452.21, 452.29, 452.35

(56) **References Cited**

U.S. PATENT DOCUMENTS

D259,000 S	*	4/1981	Vogtherr	D6/366
D369,487 S	*	5/1996	McDiarmid	D6/502
D369,705 S	*	5/1996	George et al.	D6/500
D371,265 S	*	7/1996	McDiarmid	D6/502
D472,065 S	*	3/2003	Tseng	D6/366
D473,408 S	*	4/2003	Chen	D6/500

* cited by examiner

Primary Examiner—Mimosa De

(74) *Attorney, Agent, or Firm*—Duane Morris LLP

(57) **CLAIM**

The ornamental Design for a chair, as described and shown.

DESCRIPTION

FIG. 1 is a perspective view from the front and one side of the chair;

FIG. 2 is a perspective view from the rear and one side of the chair of FIG. 1;

FIG. 3 is a side elevation view from one side of the chair of FIG. 1;

FIG. 4 is a front elevation view of the chair of FIG. 1;

FIG. 5 is a side elevation view from the other side of the chair of FIG. 1;

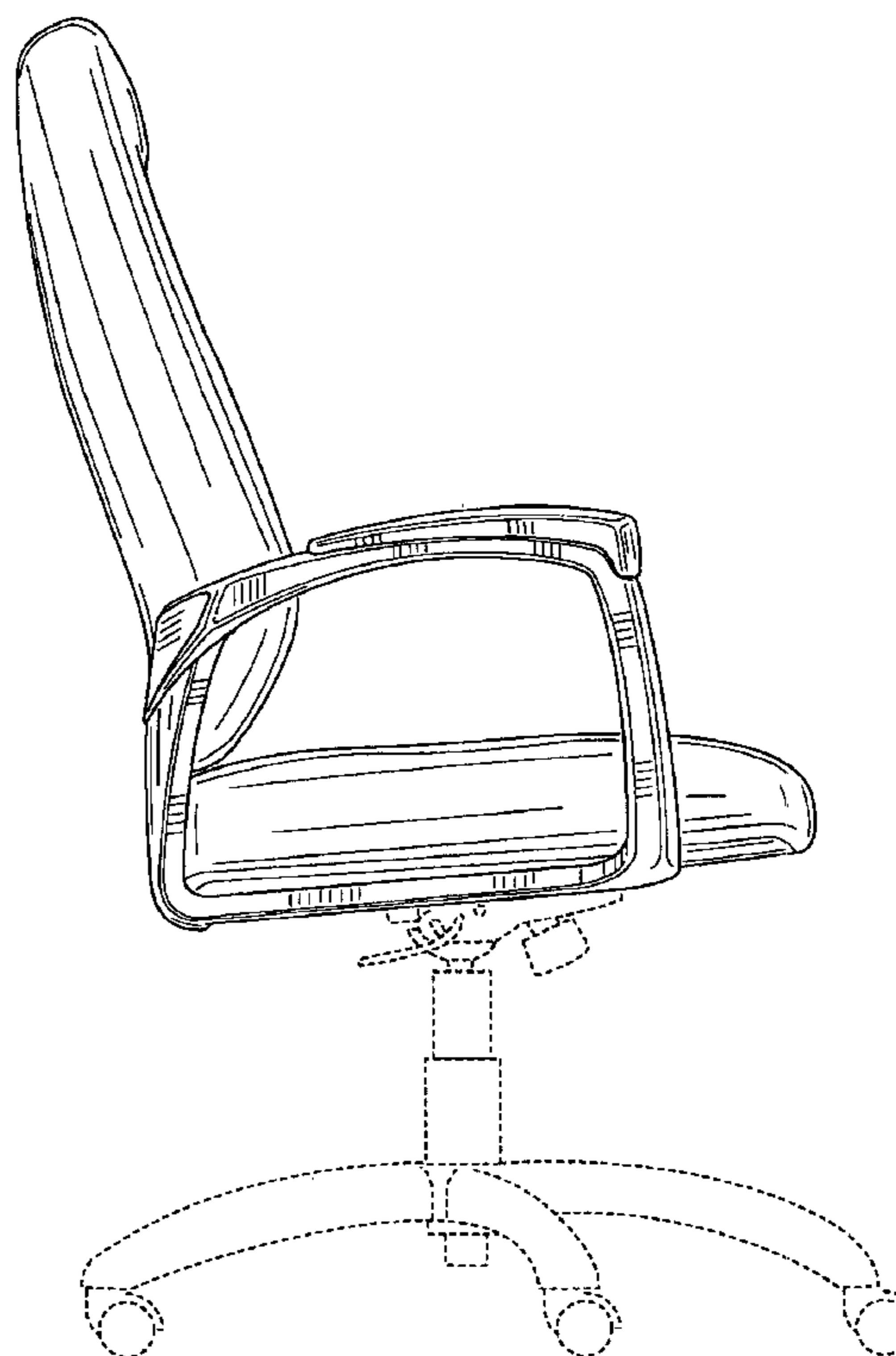
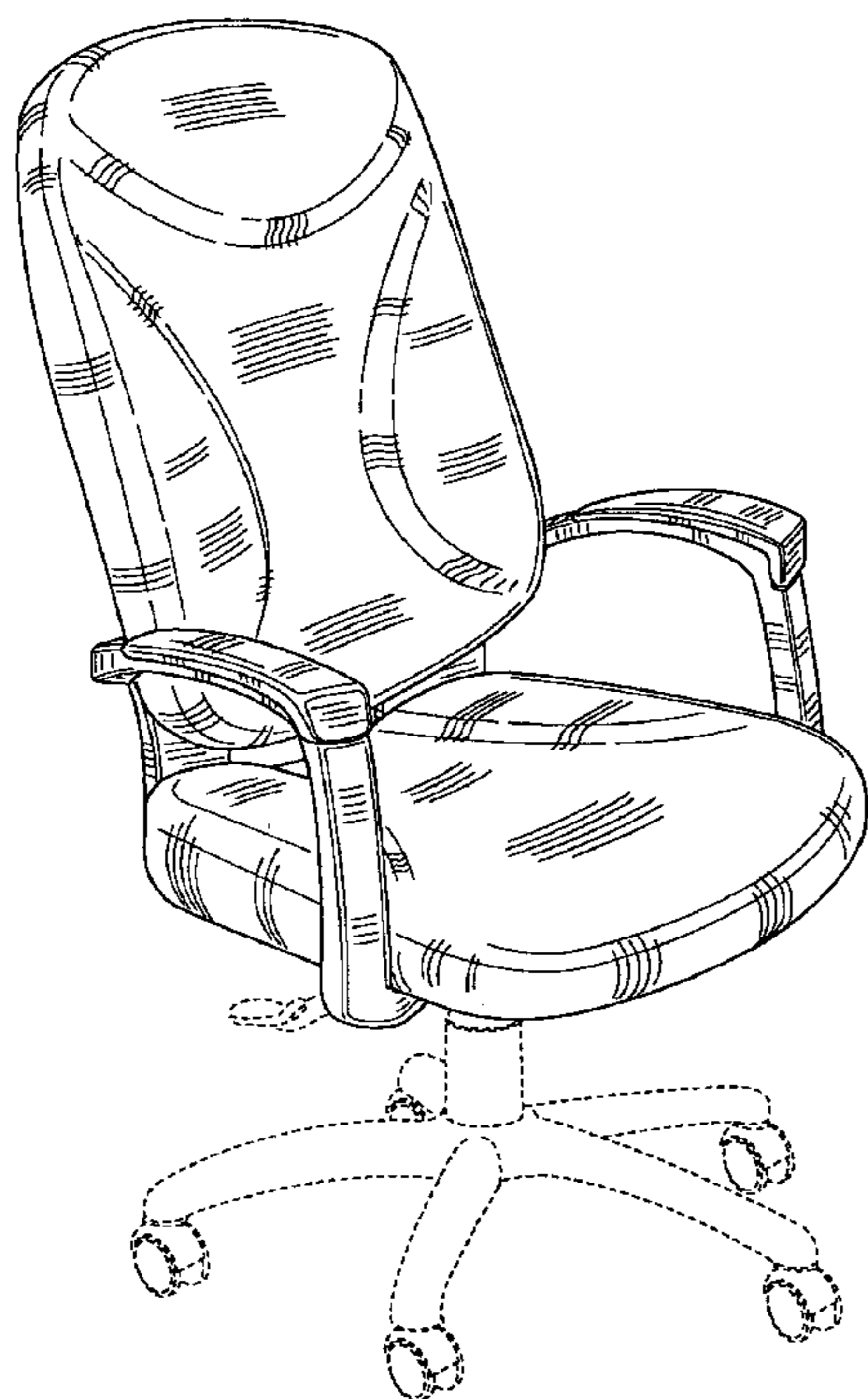
FIG. 6 is a rear elevation view of the chair of FIG. 1;

FIG. 7 is a top plan view of the chair of FIG. 1; and,

FIG. 8 is a bottom plan view of the chair of FIG. 1.

The matter shown in broken lines is environmental structure and forms no part of the claimed design.

1 Claim, 8 Drawing Sheets



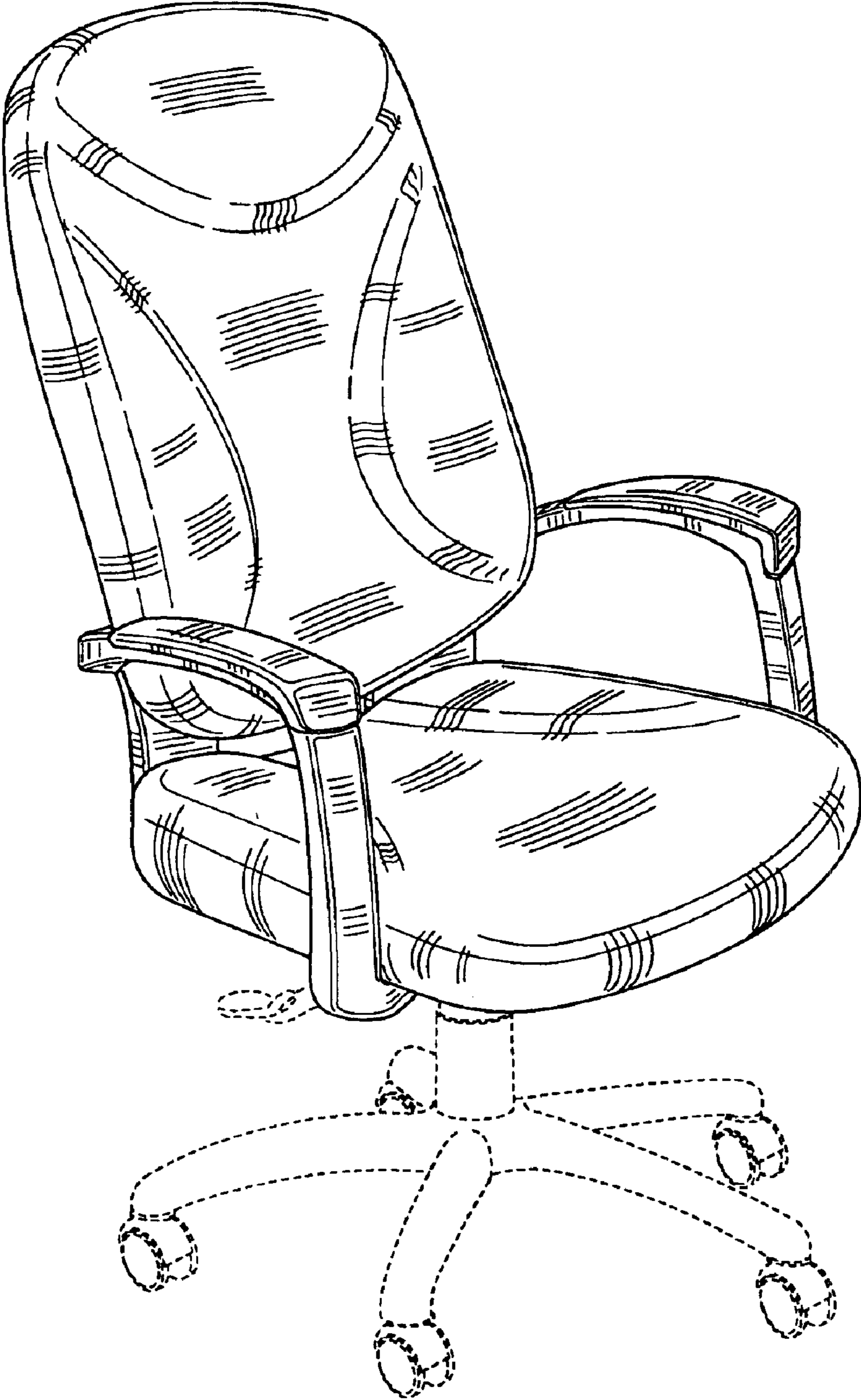


FIG. 1

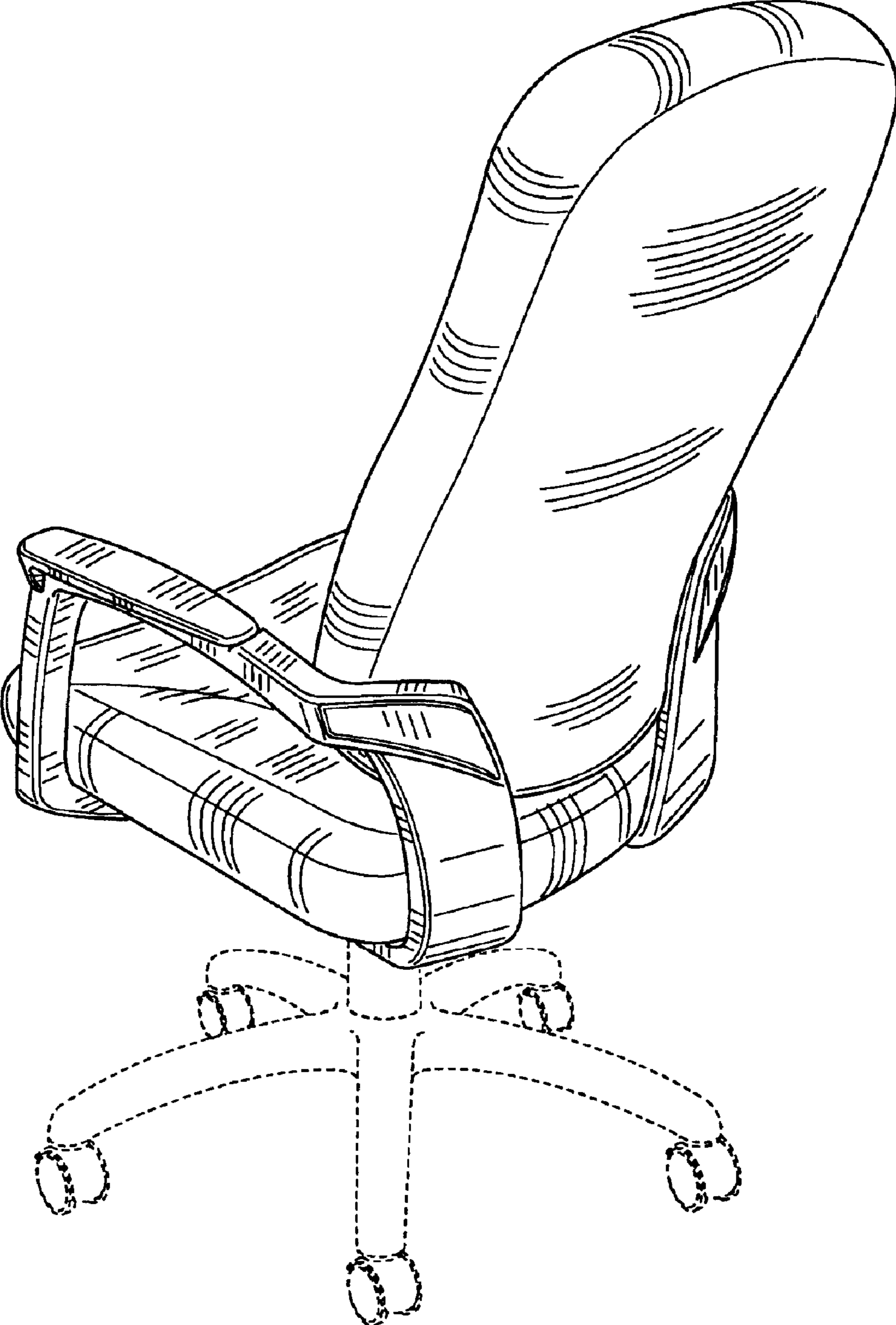


FIG. 2

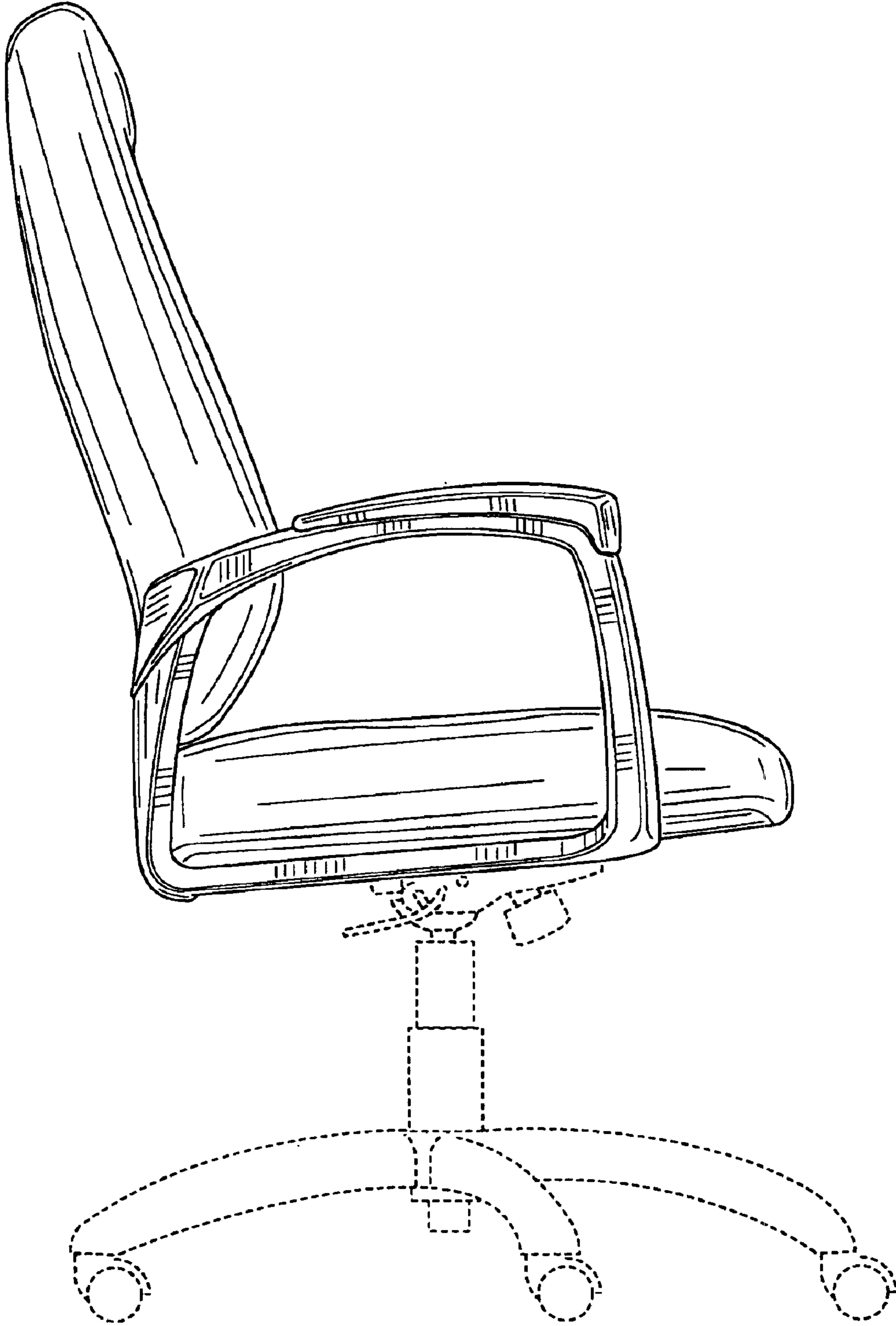


FIG. 3

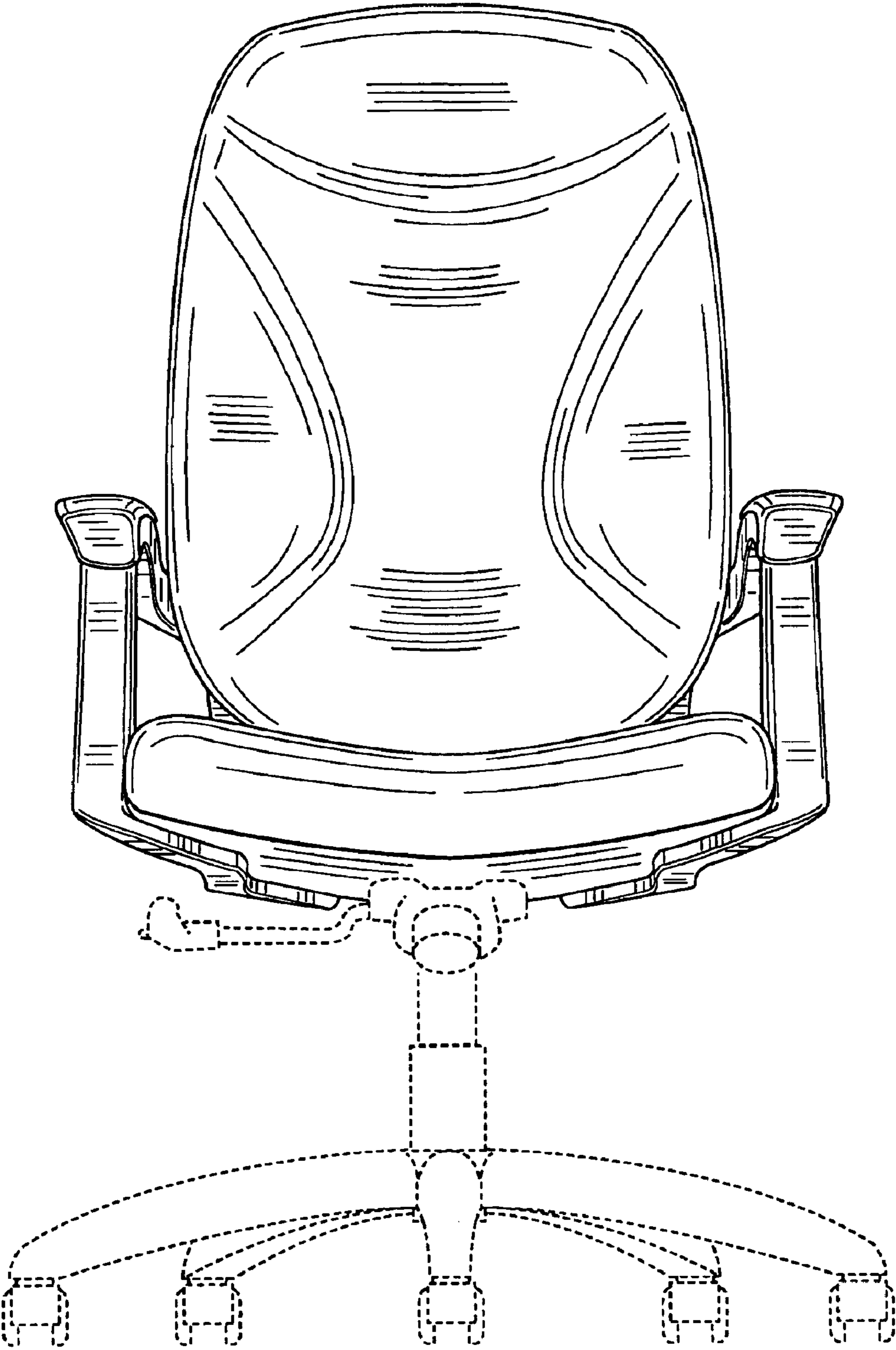


FIG. 4

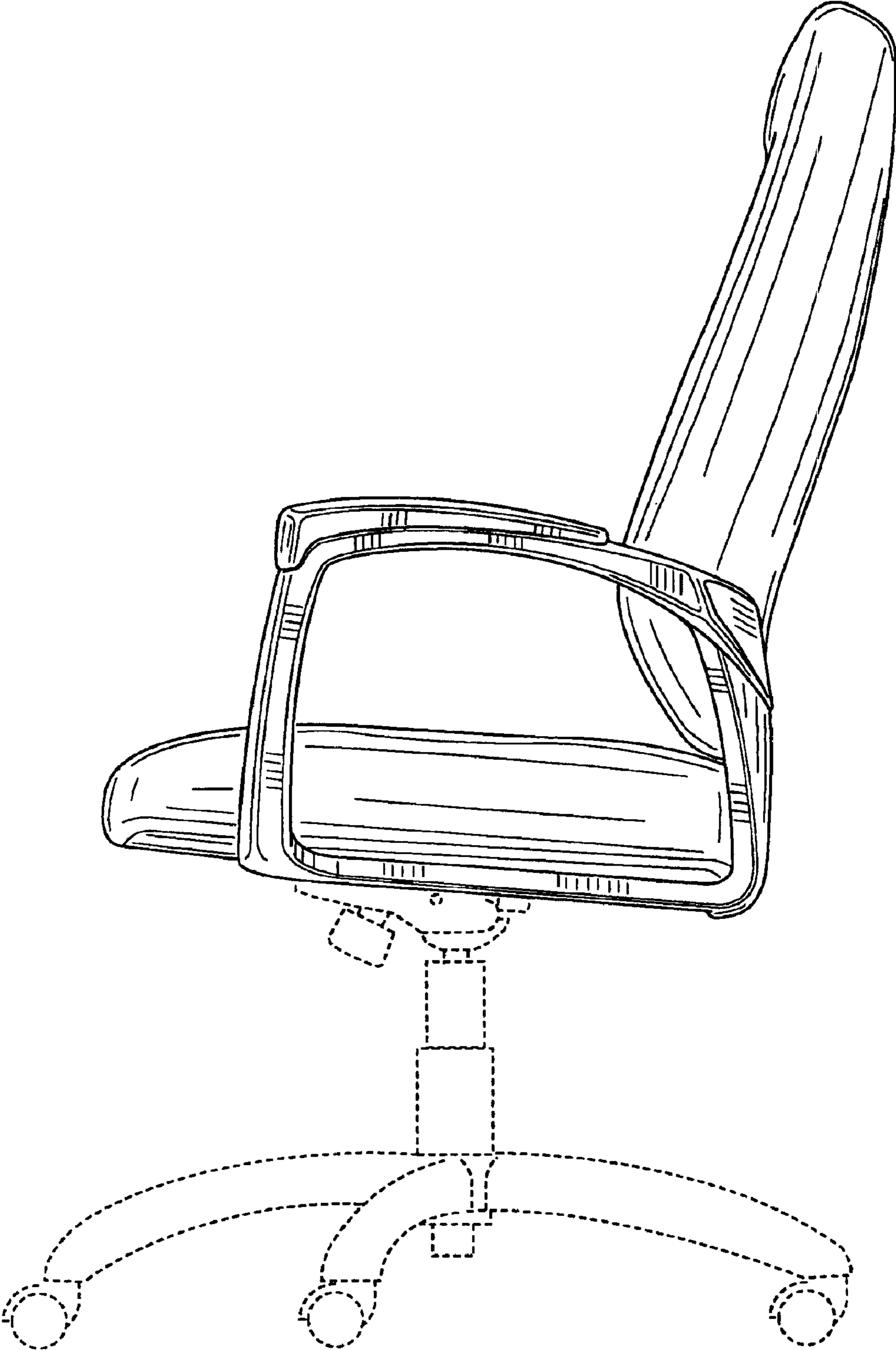


FIG. 5

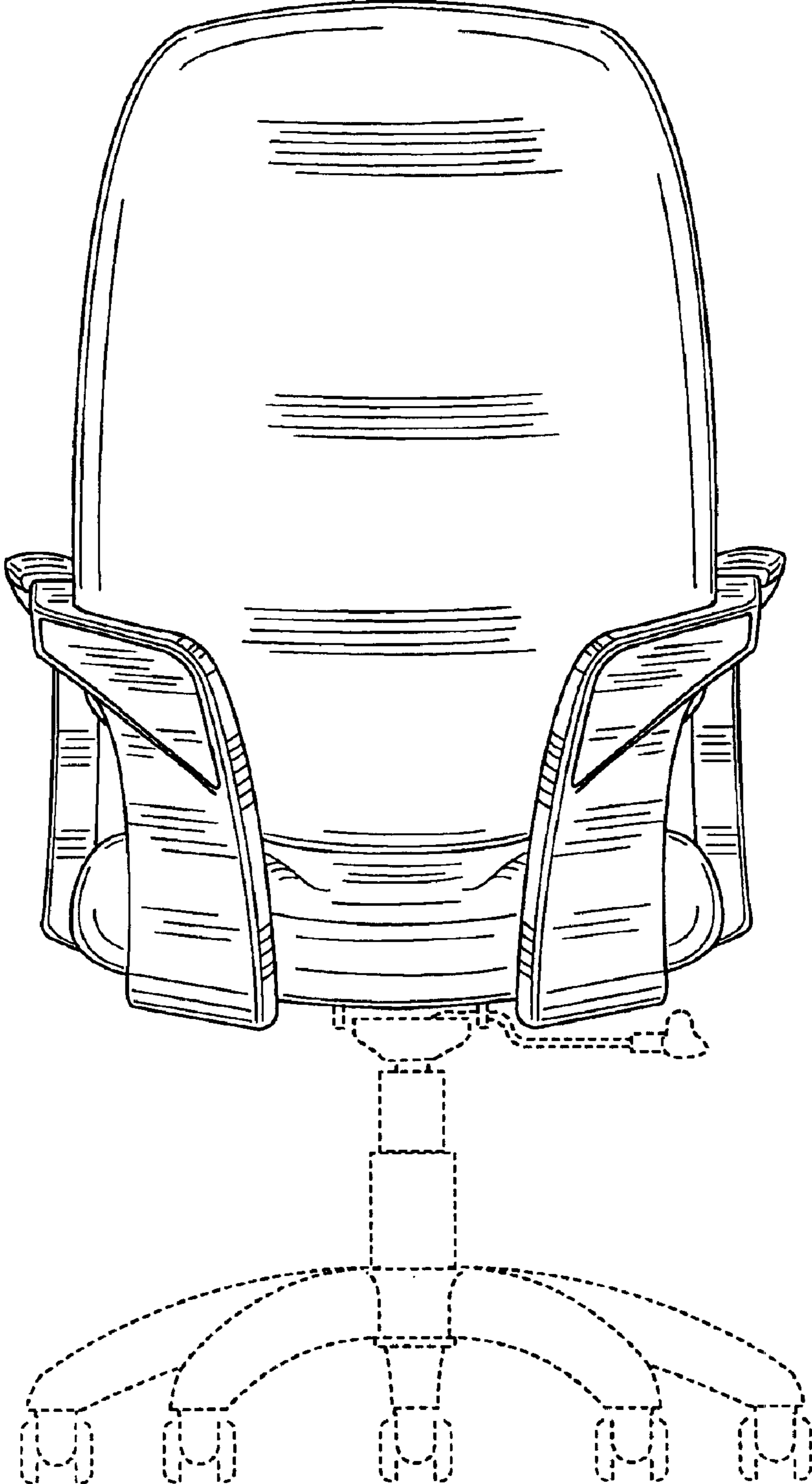


FIG. 6

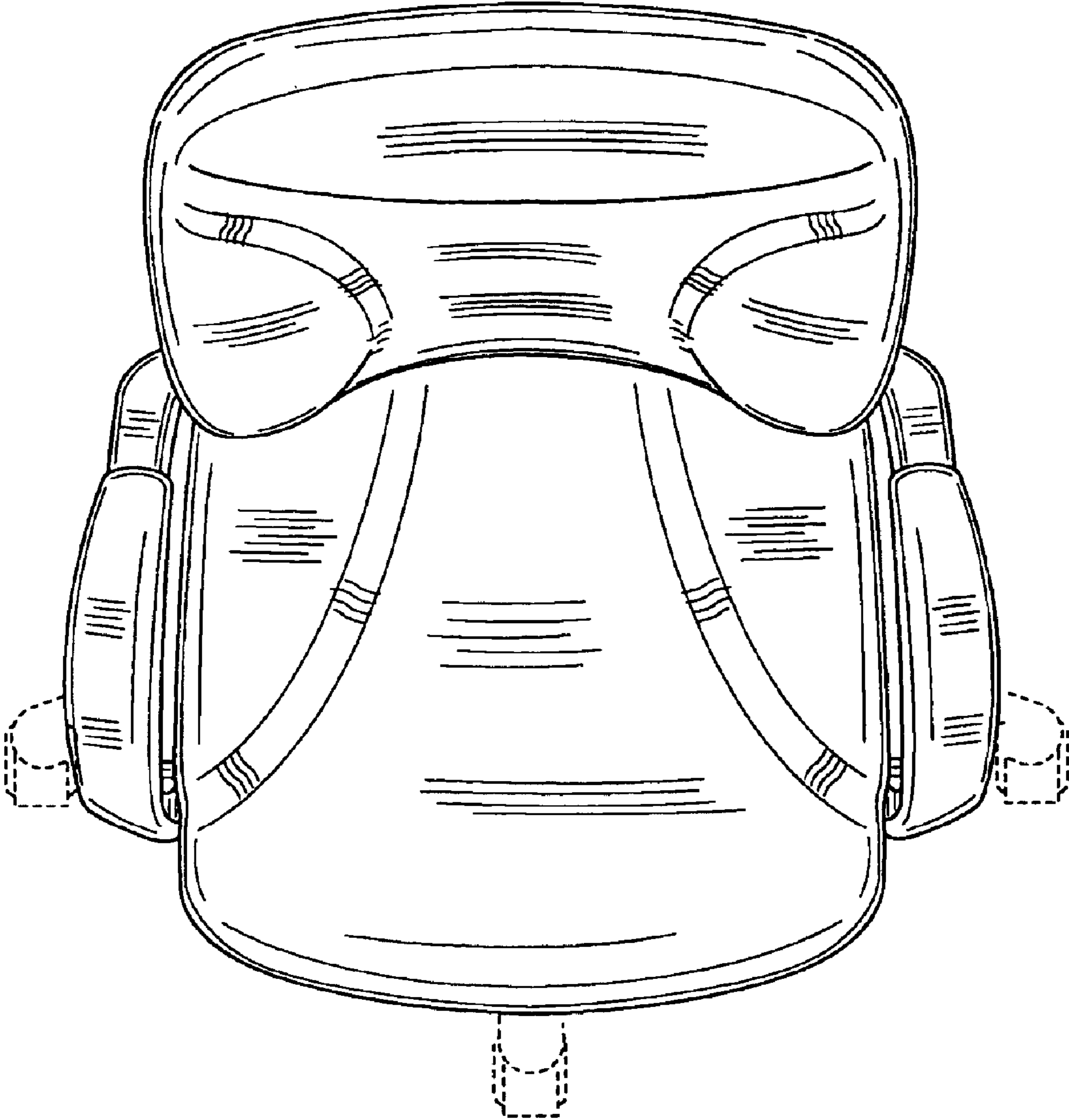


FIG. 7

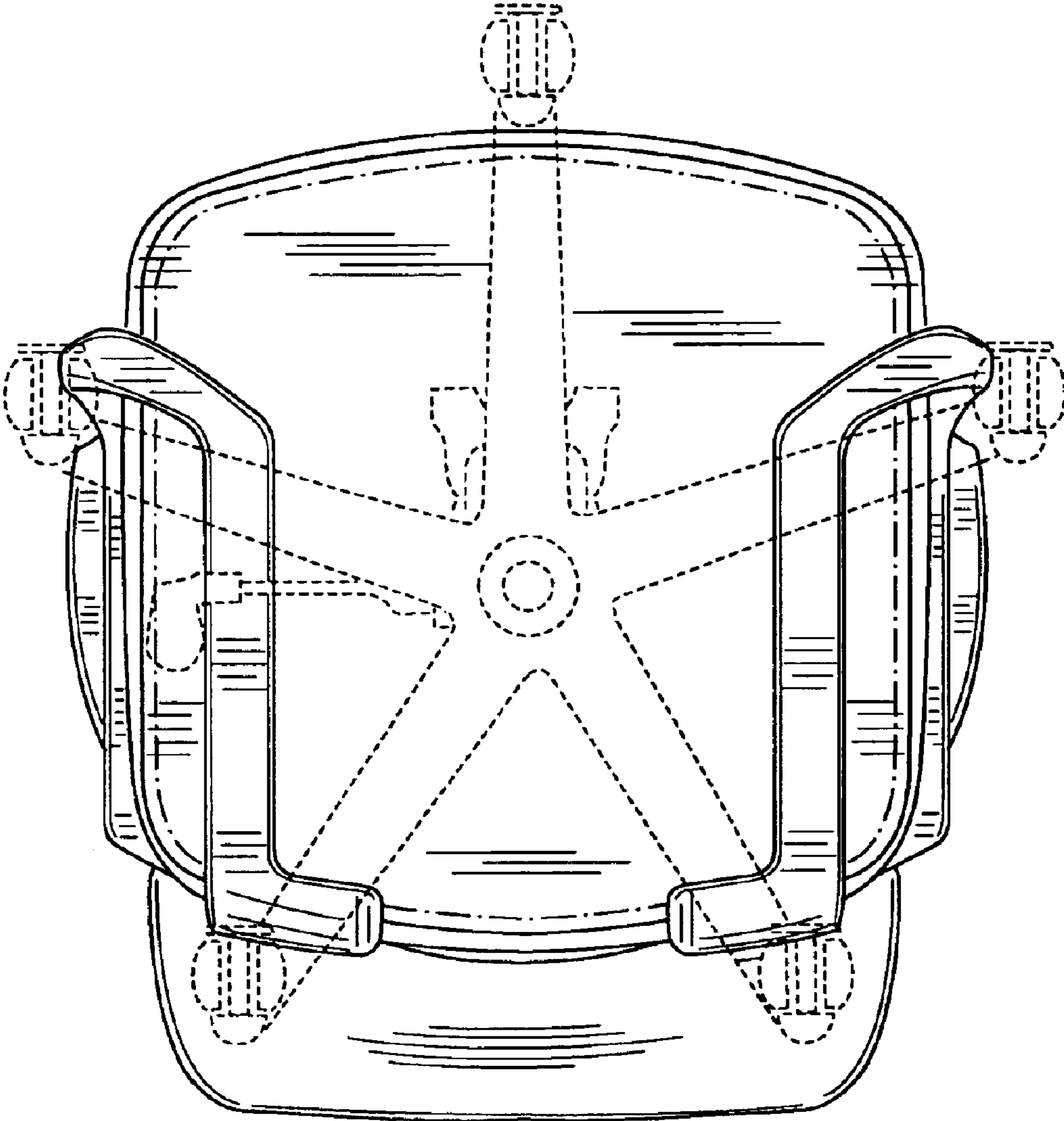


FIG. 8