

US00D506333S

(12) **United States Design Patent**
Koch et al.

(10) **Patent No.: US D506,333 S**
(45) **Date of Patent: ** Jun. 21, 2005**

(54) **CHAIR SEAT AND BACK**

(75) Inventors: **John Koch**, Iowa City, IA (US); **Ogden R. Olson**, Muscatine, IA (US)

(73) Assignee: **HNI Technologies Inc.**, Muscatine, IA (US)

(**) Term: **14 Years**

(21) Appl. No.: **29/194,810**

(22) Filed: **Dec. 2, 2003**

(51) **LOC (8) Cl.** **06-06**

(52) **U.S. Cl.** **D6/500; D6/366**

(58) **Field of Search** D6/334, 364, 365,
D6/366, 367, 372, 373, 379, 380, 498,
500-502; 297/411.2, 411.29, 452.21, 452.29,
452.35

(56) **References Cited**

U.S. PATENT DOCUMENTS

D309,385 S	*	7/1990	Buhk	D6/366
D309,386 S	*	7/1990	Buhk	D6/379
D357,821 S	*	5/1995	Tedesco	D6/379
D358,064 S	*	5/1995	Larkin	D6/366
D362,973 S	*	10/1995	Schultz	D6/366
D383,009 S	*	9/1997	Piretti	D6/372
D398,464 S	*	9/1998	Cronk	D6/500

D435,175 S	*	12/2000	Chu	D6/372
D437,704 S	*	2/2001	Koepke et al.	D6/372
D446,400 S	*	8/2001	Schultz et al.	D6/373

* cited by examiner

Primary Examiner—Mimosa De

(74) *Attorney, Agent, or Firm*—Ronald A. Sandler; Jones Day

(57) **CLAIM**

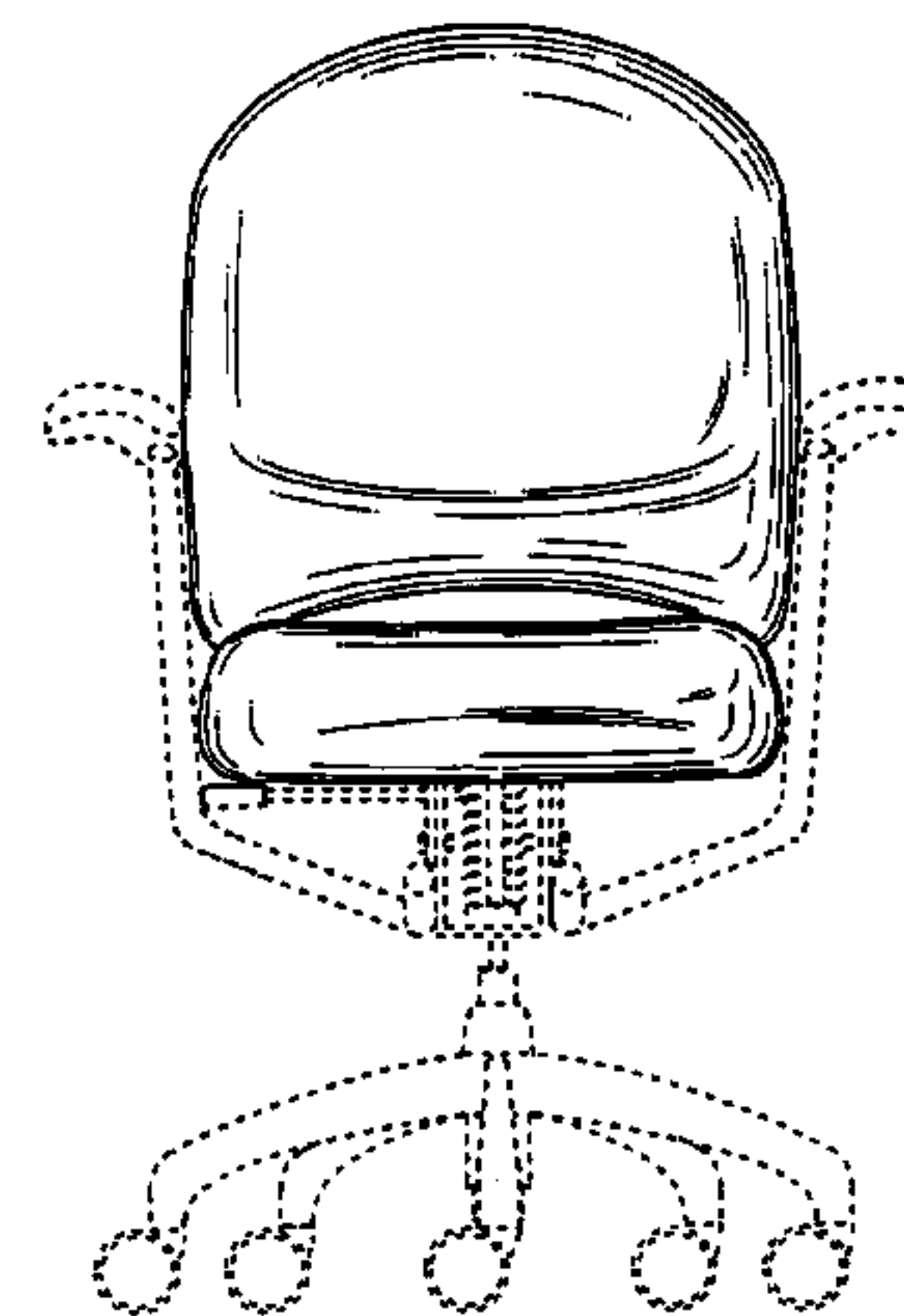
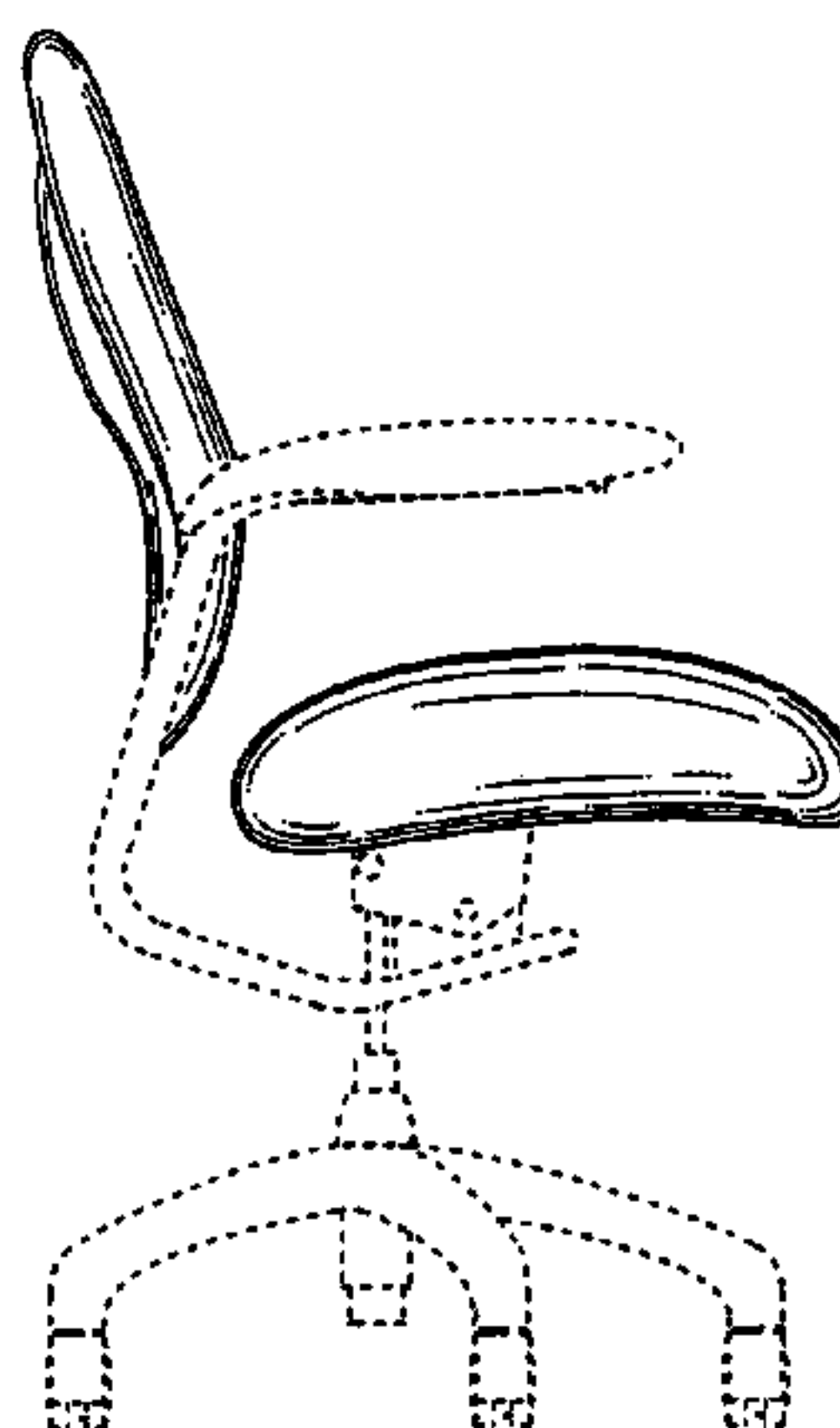
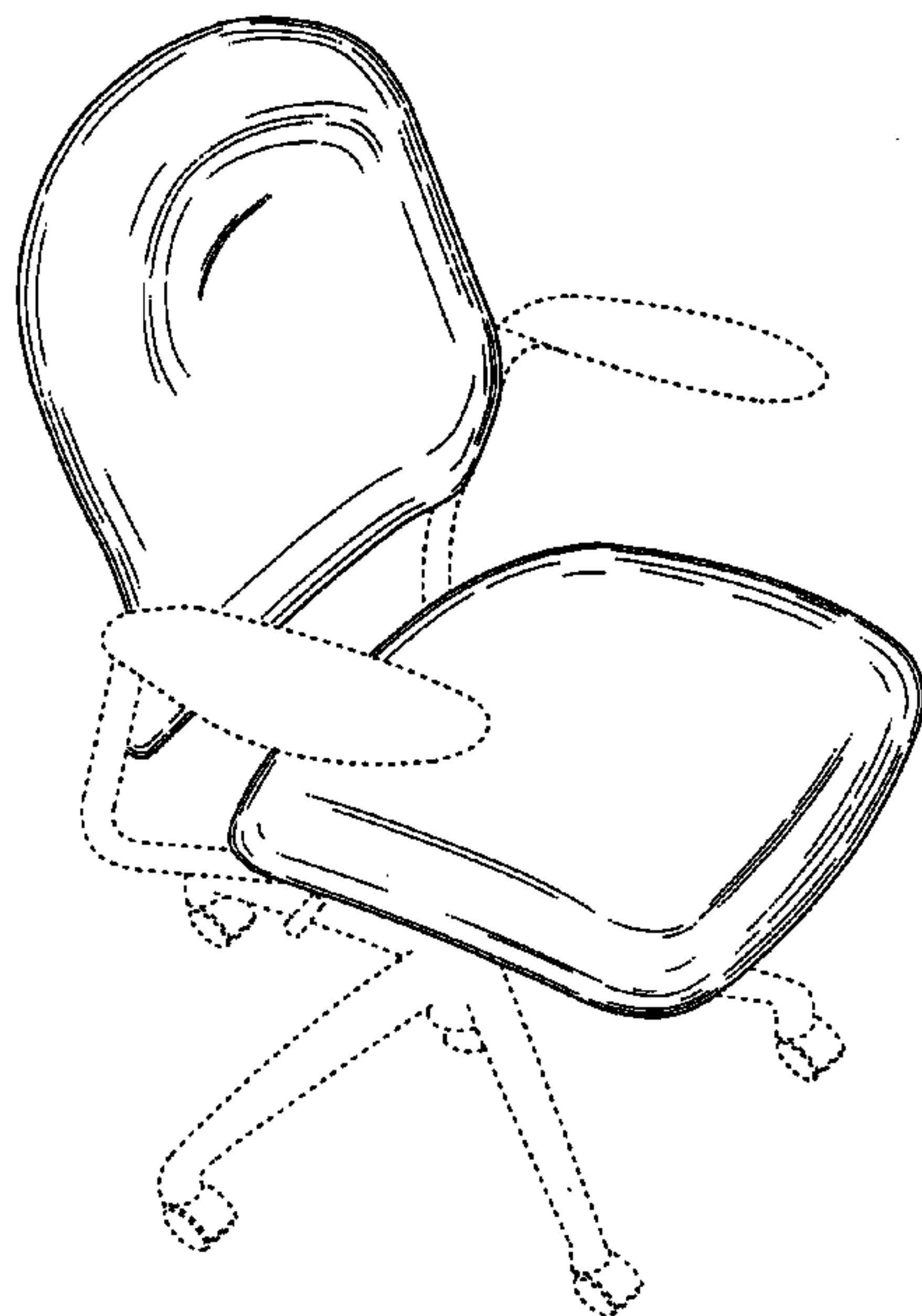
We claim the ornamental design for chair seat and back, as shown and described.

DESCRIPTION

FIG. 1 is an isometric view of the chair seat and back showing the new design;
FIG. 2 is a right side elevational view thereof;
FIG. 3 is a left side elevational view thereof;
FIG. 4 is a front elevational view thereof;
FIG. 5 is a rear elevational view thereof;
FIG. 6 is a top plan view thereof; and,
FIG. 7 is a bottom plan view thereof.

The lines drawn on the seat and chair back are shade lines and not decoration; the broken lines are not part of the claimed design but are for environmental purposes only; the claimed design is for a product configuration only; surface decoration does not form part of the claimed design.

1 Claim, 4 Drawing Sheets



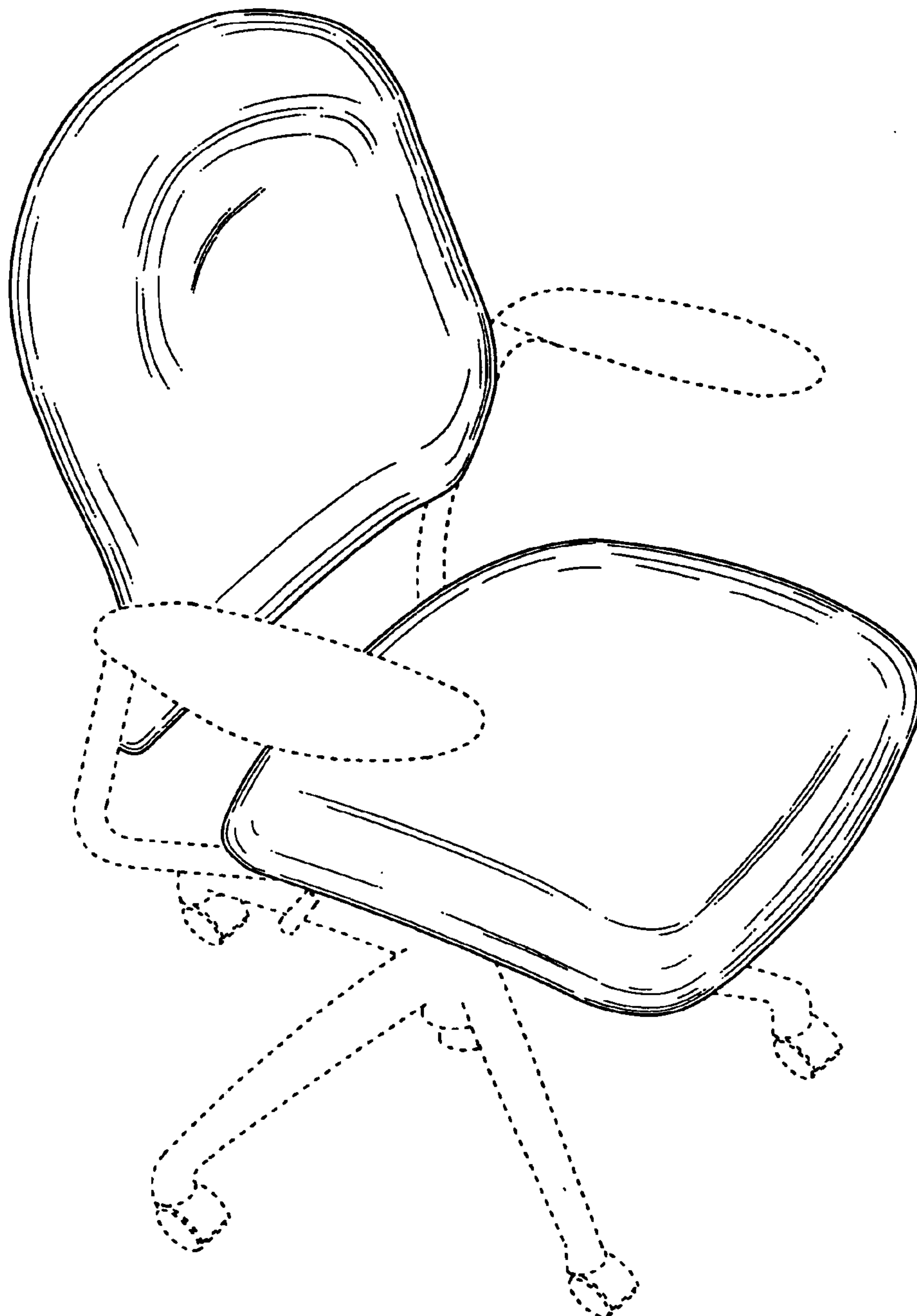


Fig. 1

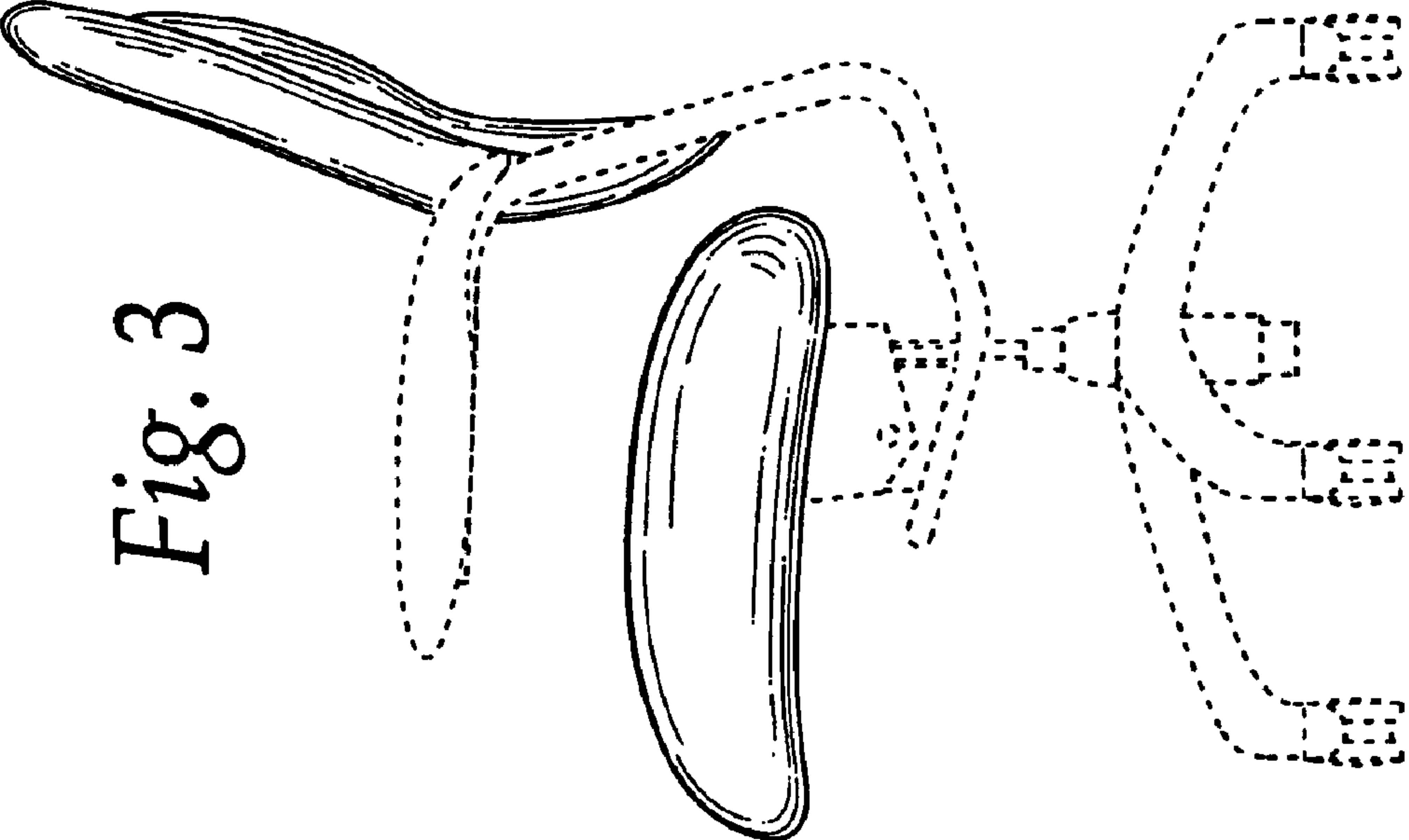


Fig. 3

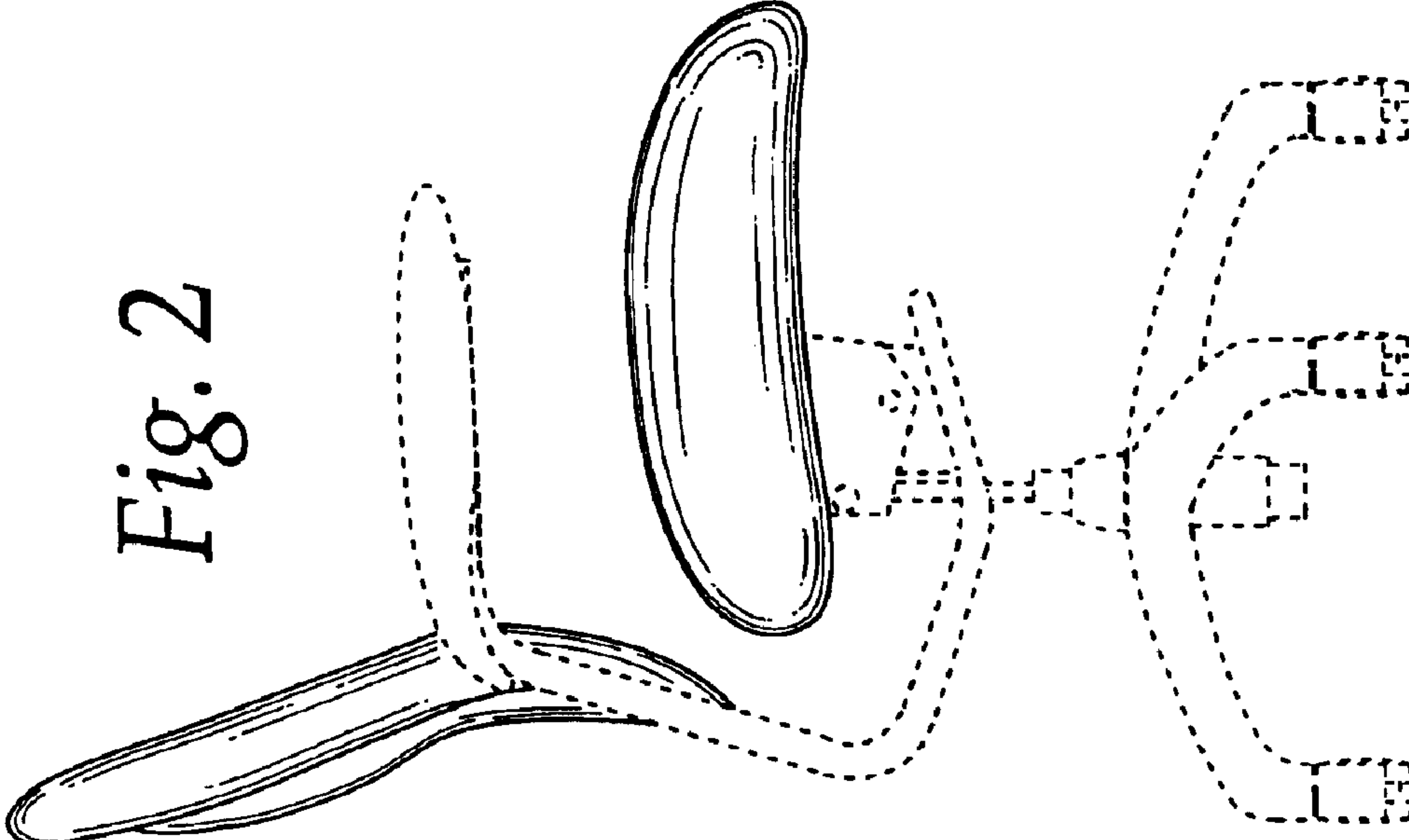


Fig. 2

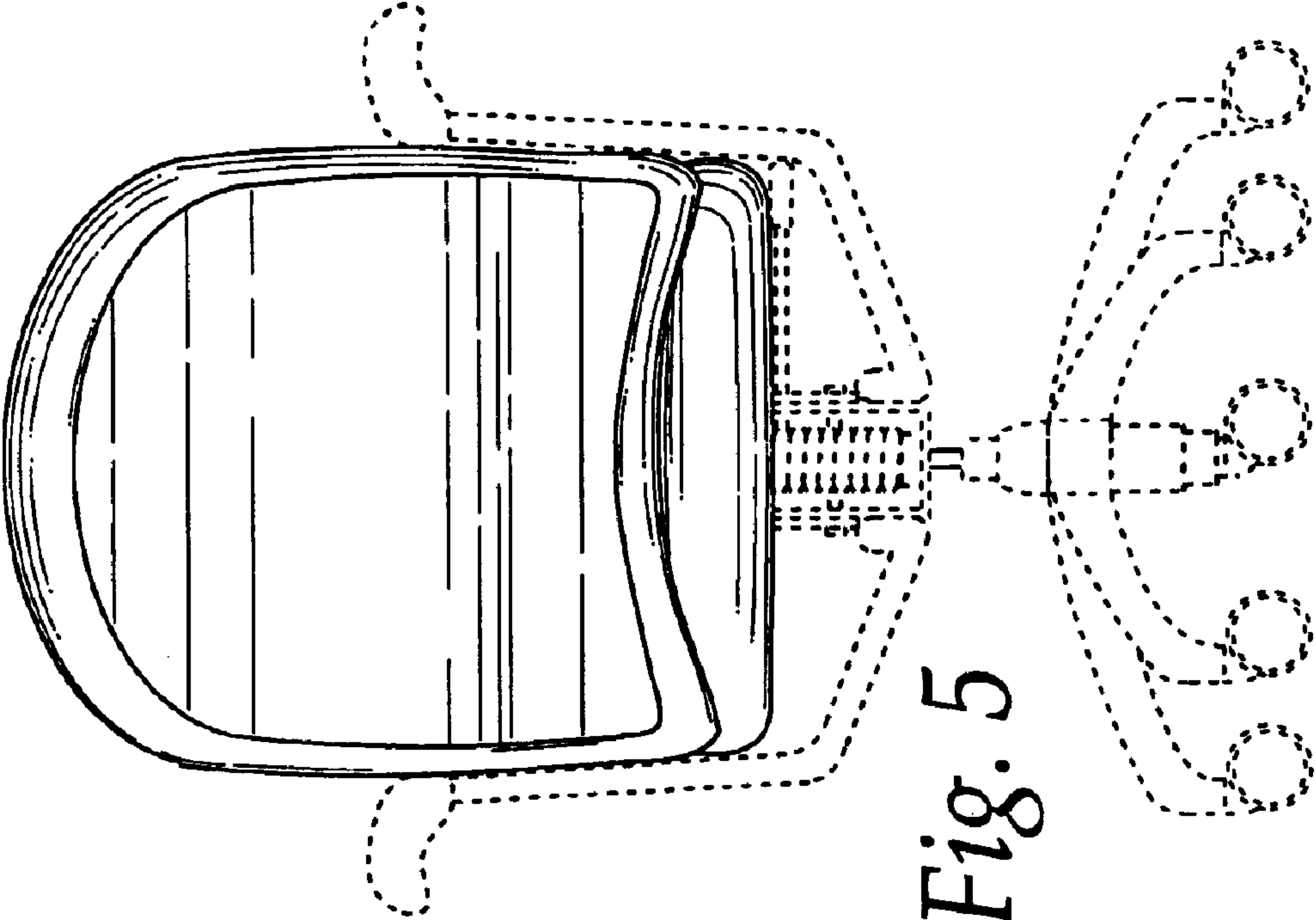


Fig. 5

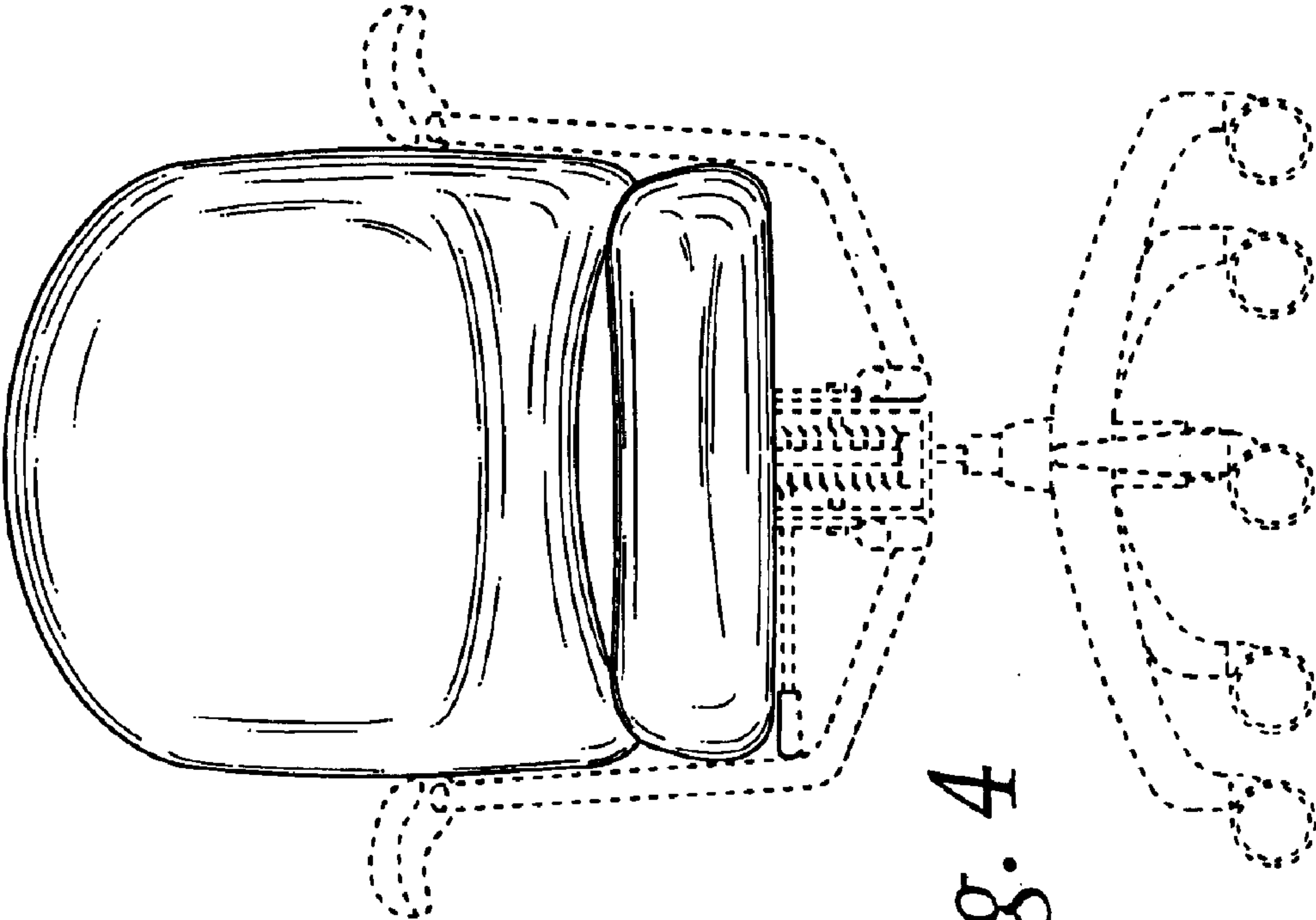


Fig. 4

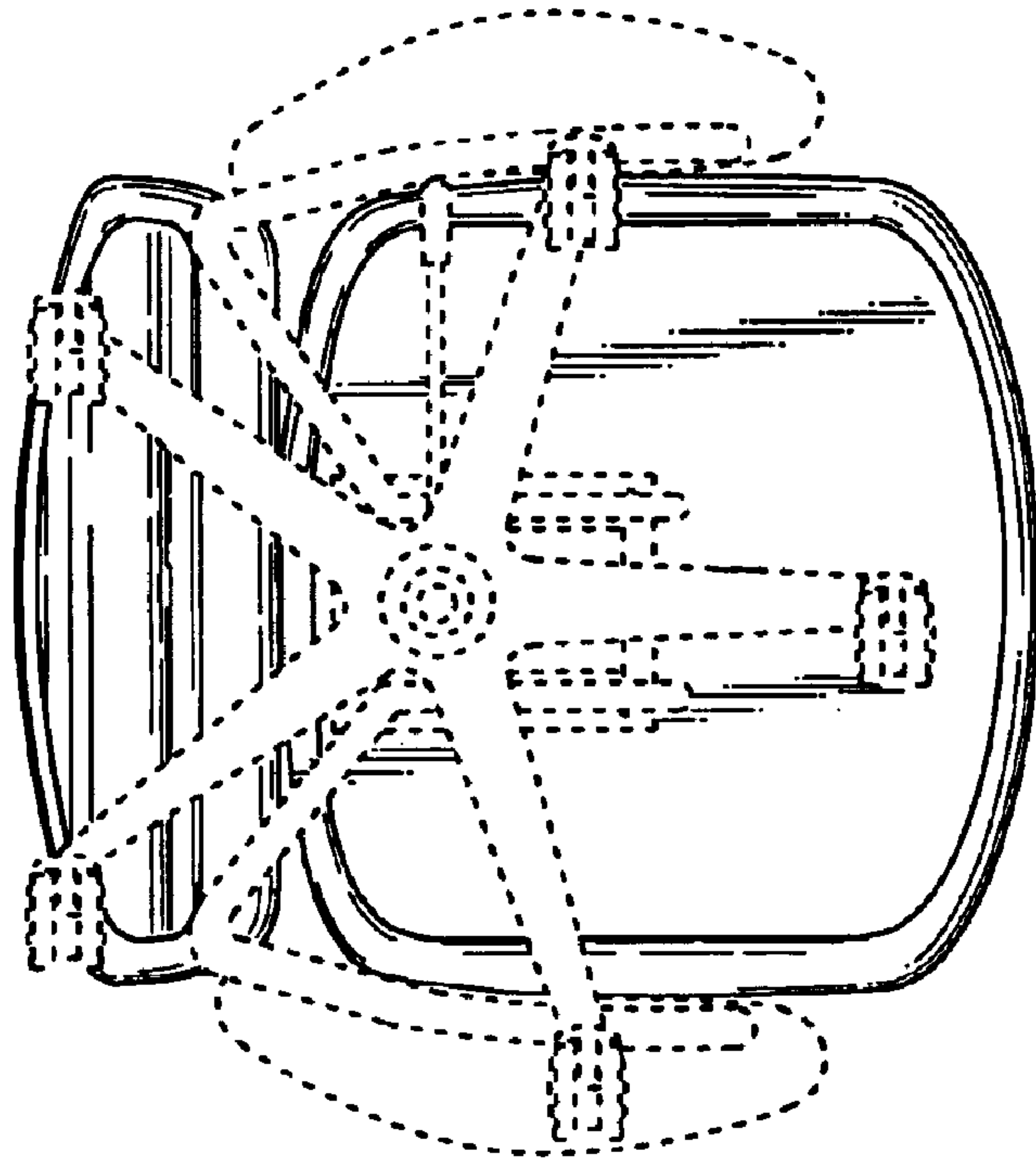


Fig. 6

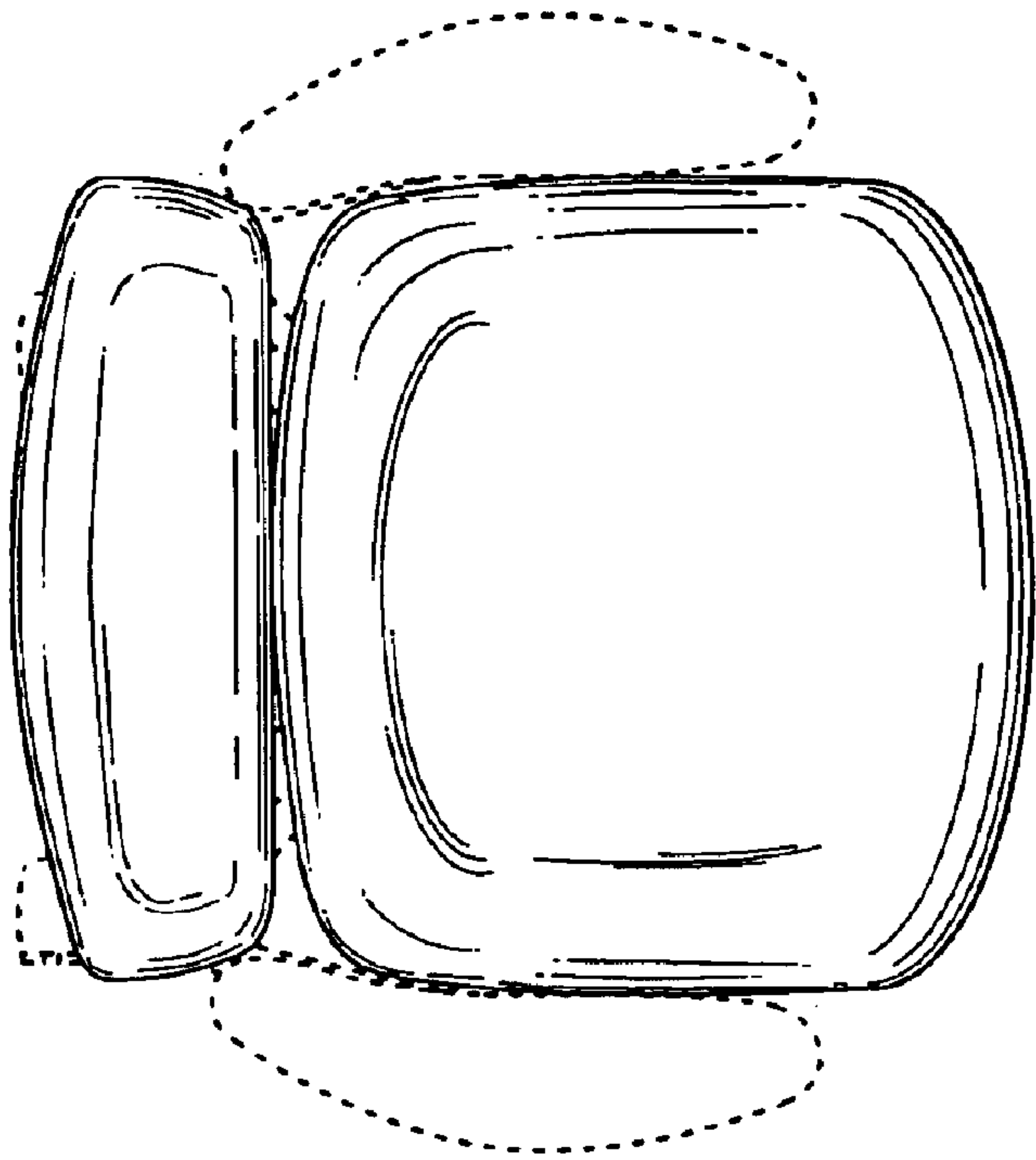


Fig. 7