

US00D506328S

(12) **United States Design Patent**
Inoue

(10) **Patent No.:** **US D506,328 S**
(45) **Date of Patent:** **** Jun. 21, 2005**

(54) **TELEVISION STAND**

(75) **Inventor:** **Takashi Inoue, Ikoma (JP)**

(73) **Assignee:** **Matsushita Electric Industrial Co., Ltd., Osaka (JP)**

(**) **Term:** **14 Years**

(21) **Appl. No.:** **29/203,307**

(22) **Filed:** **Apr. 13, 2004**

(30) **Foreign Application Priority Data**

Dec. 25, 2003 (JP) 2003-38165

(51) **LOC (8) Cl.** **06-04**

(52) **U.S. Cl.** **D6/477; D6/474**

(58) **Field of Search** D6/460, 461, 468,
D6/474, 477-479, 407; 108/59, 91, 92,
96; 211/40, 41.12, 42, 49.1, 50, 85.2, 90.04,
187, 190, 119.003, 134.153, 87.01, 71.01;
D14/126, 129

(56) **References Cited**

U.S. PATENT DOCUMENTS

D236,054 S * 7/1975 Ginat D6/479
5,584,595 A * 12/1996 Gantitano et al. 312/7.2
D402,486 S * 12/1998 Wada et al. D6/479
D477,159 S * 7/2003 Niitsu D6/479

D477,292 S * 7/2003 Inoue et al. D14/129
D483,966 S * 12/2003 Forlenza et al. D6/474
D485,539 S * 1/2004 Goto et al. D14/129

FOREIGN PATENT DOCUMENTS

JP D1166535 3/2003
JP D1197509 2/2004
JP D1197510 2/2004

* cited by examiner

Primary Examiner—Cathron Brooks

(74) *Attorney, Agent, or Firm*—Brinks Hofer Gilson & Lione

(57) **CLAIM**

I claim the ornamental design for a television stand, as shown and described.

DESCRIPTION

FIG. 1 is a top perspective view of a television stand of the present invention;
FIG. 2 is a top view thereof;
FIG. 3 is a front view thereof;
FIG. 4 is a first side view thereof;
FIG. 5 is a second side view thereof;
FIG. 6 is a rear view thereof; and,
FIG. 7 is a bottom view thereof.

1 Claim, 4 Drawing Sheets

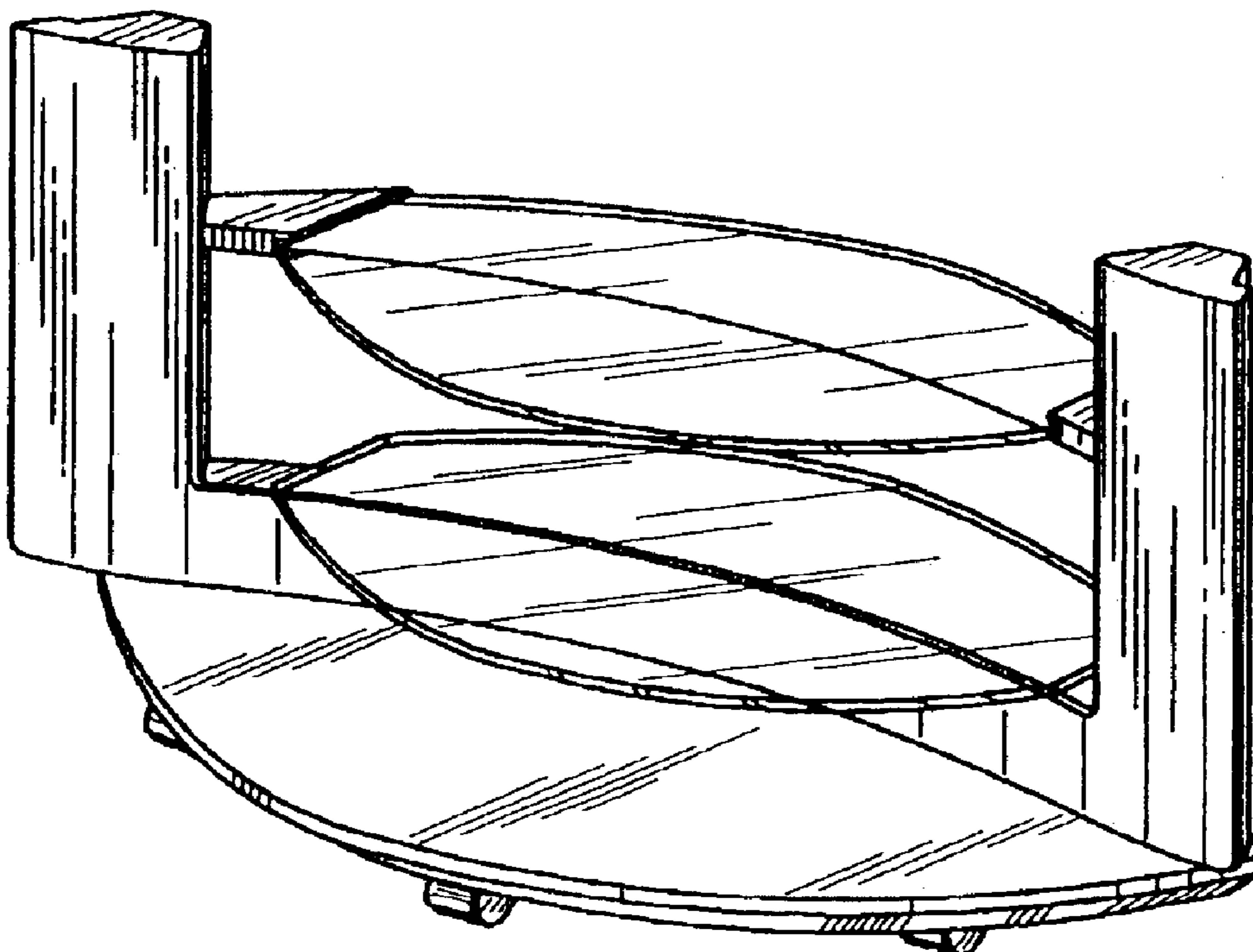


FIG.1

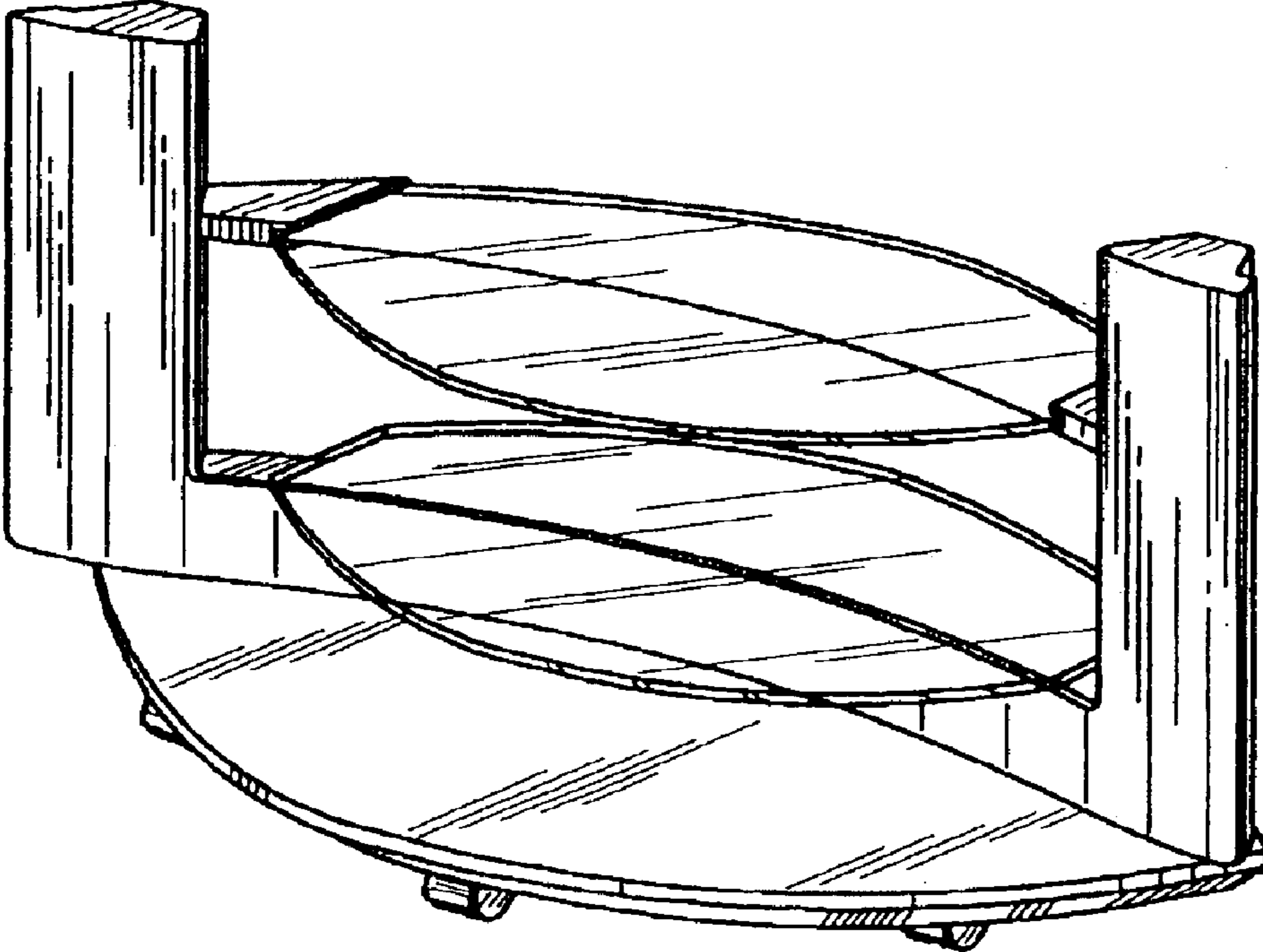


FIG.2

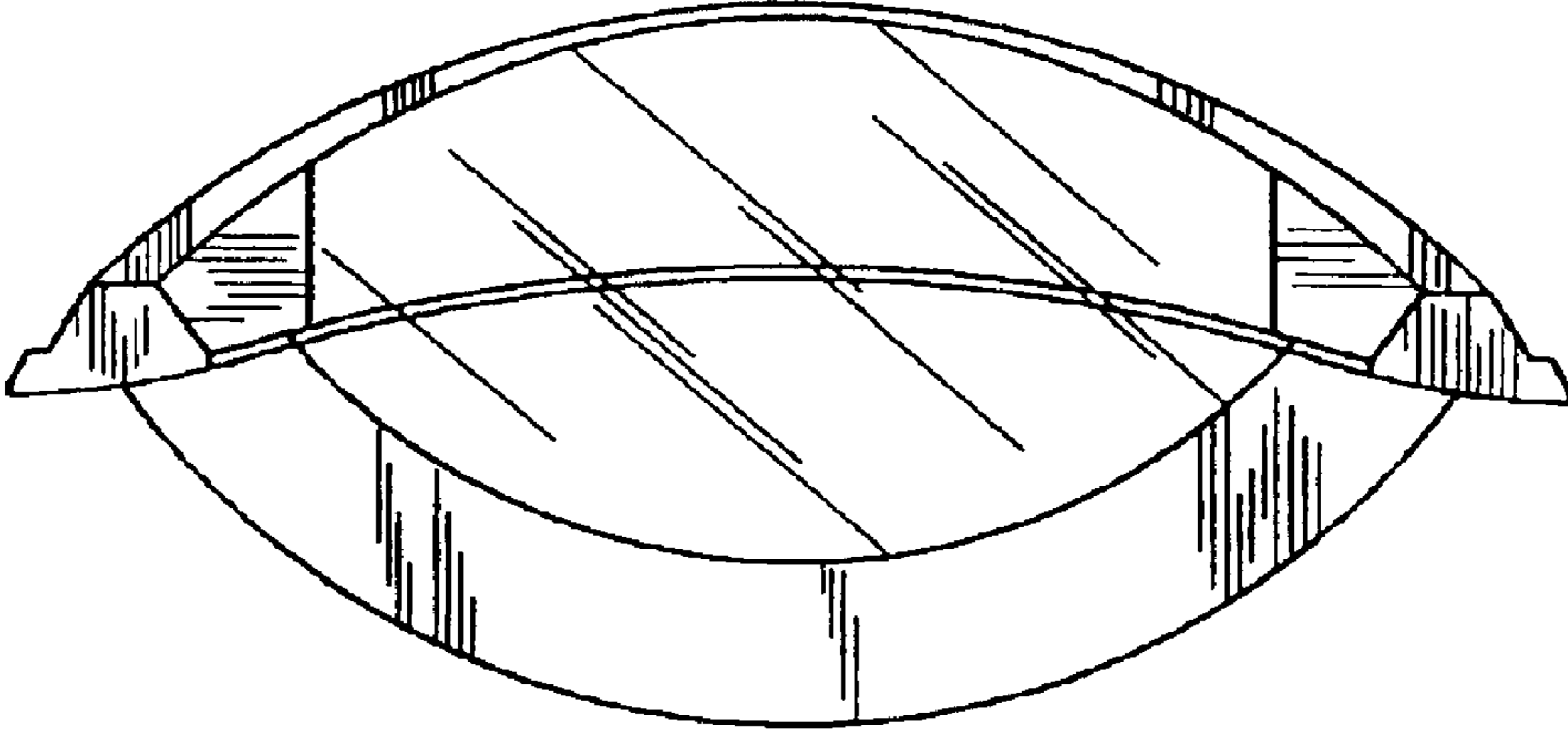


FIG.3

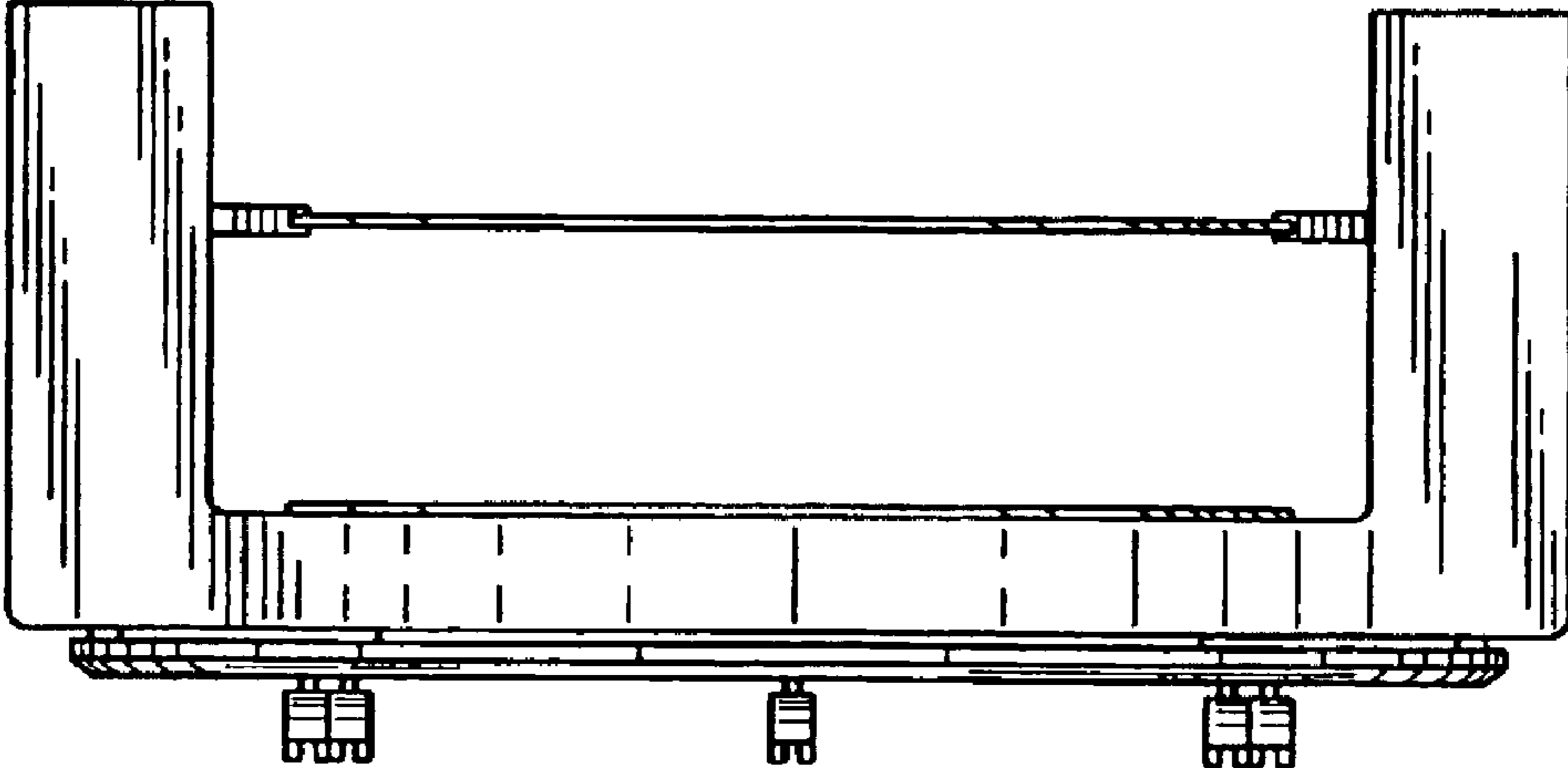


FIG.4

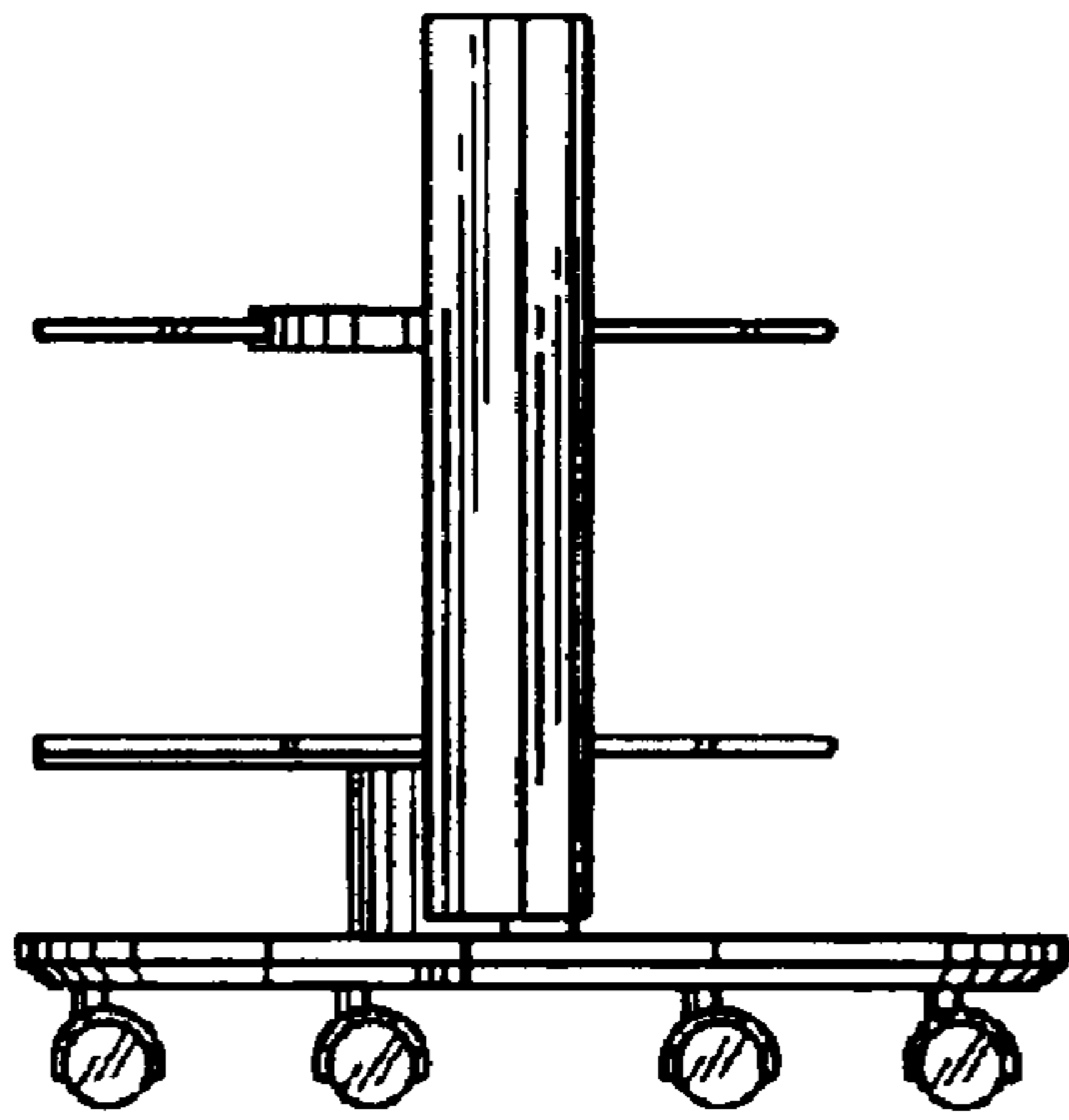


FIG.5

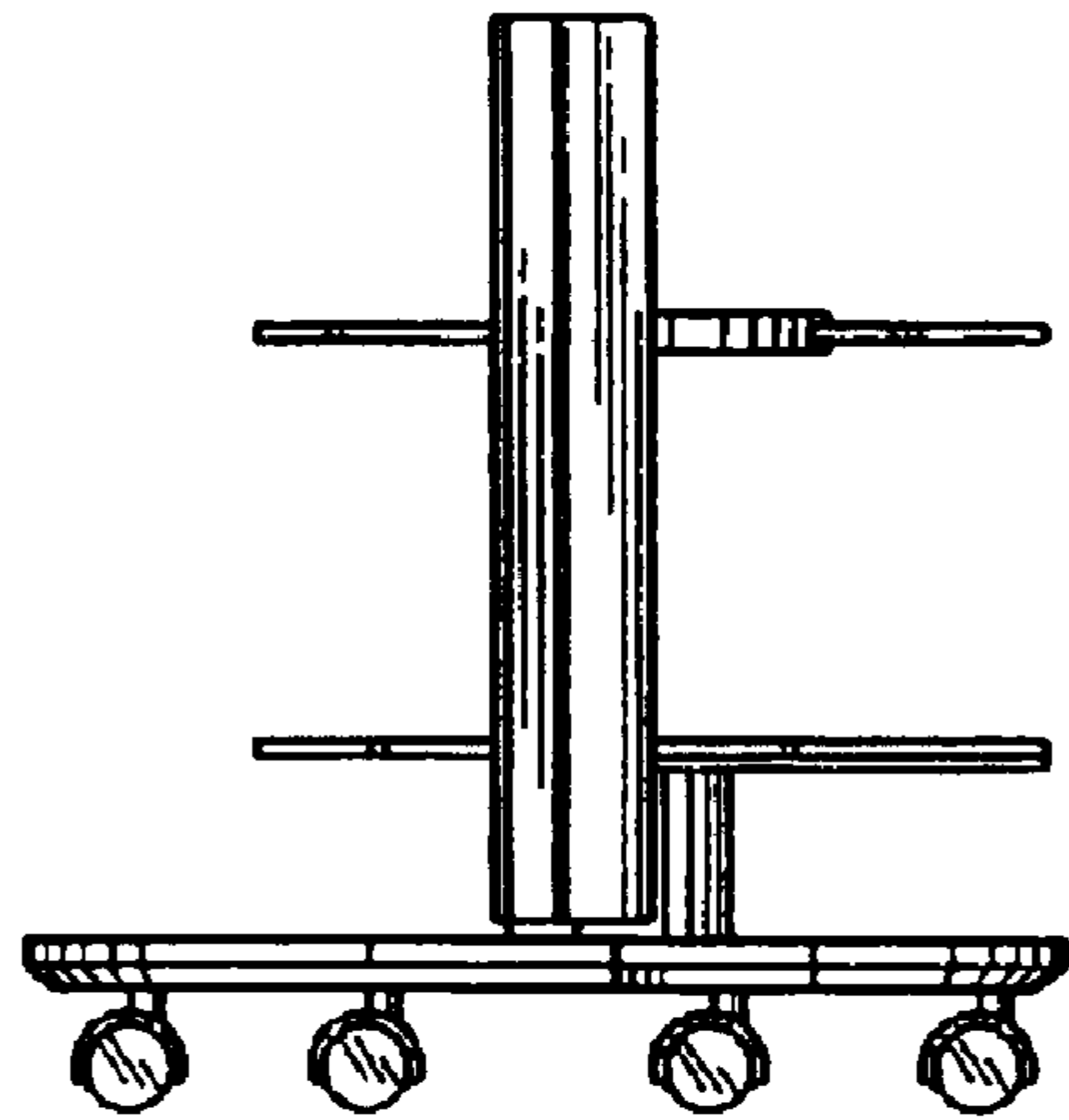


FIG.6

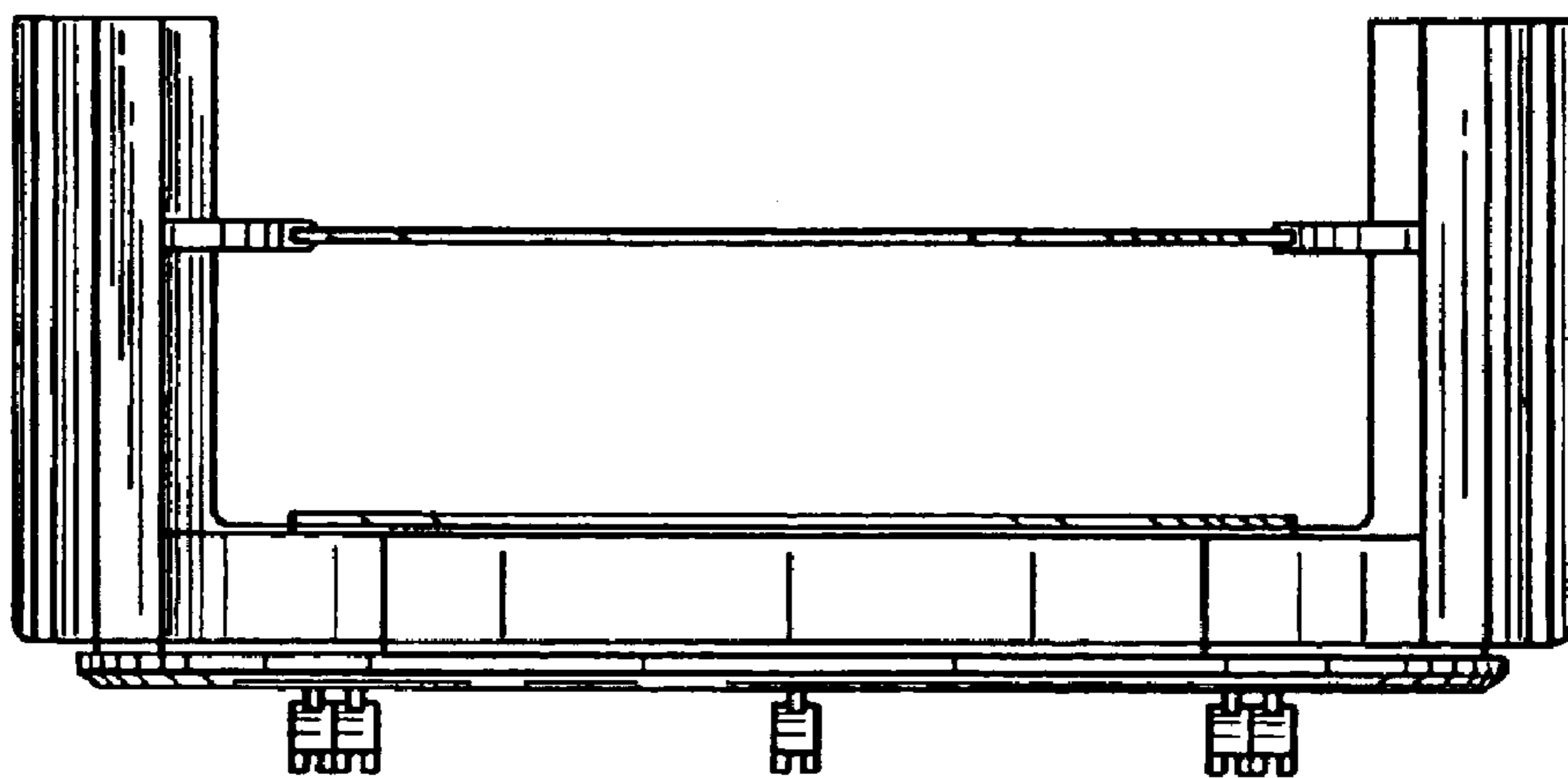


FIG. 7

