

US00D506327S

(12) **United States Design Patent**
Langford et al.

(10) **Patent No.:** **US D506,327 S**
(45) **Date of Patent:** **** Jun. 21, 2005**

(54) **DISPLAY UNIT**

D469,126 S * 1/2003 Joss et al. D19/75

(76) Inventors: **Jonathan Langford**, 4 Threave Close,
Putnoe, Bedford, Bedfordshire (GB),
MK41 8PD; **David Wolfenden**, 2
Clydesdale Rise Diggle, Saddleworth
(GB), OL3 5PX

* cited by examiner

Primary Examiner—Mimosa De
(74) *Attorney, Agent, or Firm*—Kwadjo Adusei-Poku;
Lloyd D. Doigan

(**) **Term:** **14 Years**

(57) **CLAIM**

The ornamental design for a display unit, as shown and described.

(21) **Appl. No.:** **29/191,010**

DESCRIPTION

(22) **Filed:** **Sep. 30, 2003**

(51) **LOC (8) Cl.** **06-04**

FIG. 1 is a front perspective view of a display unit showing our new design;

(52) **U.S. Cl.** **D6/469**

FIG. 2 is a top plan view thereof;

(58) **Field of Search** D6/396, 397, 449,

FIG. 3 is a front elevational view thereof;

D6/450, 467, 469; D19/22, 23, 75, 77,

FIG. 4 is a back elevational view thereof;

78, 79, 91-93; D26/51; 206/214, 224, 371;

FIG. 5 is a right side elevational view thereof, the left side elevational view being a mirror image thereof; and,

211/10, 11, 13.1, 69.1

FIG. 6 is a front perspective view of an alternate embodiment of the invention.

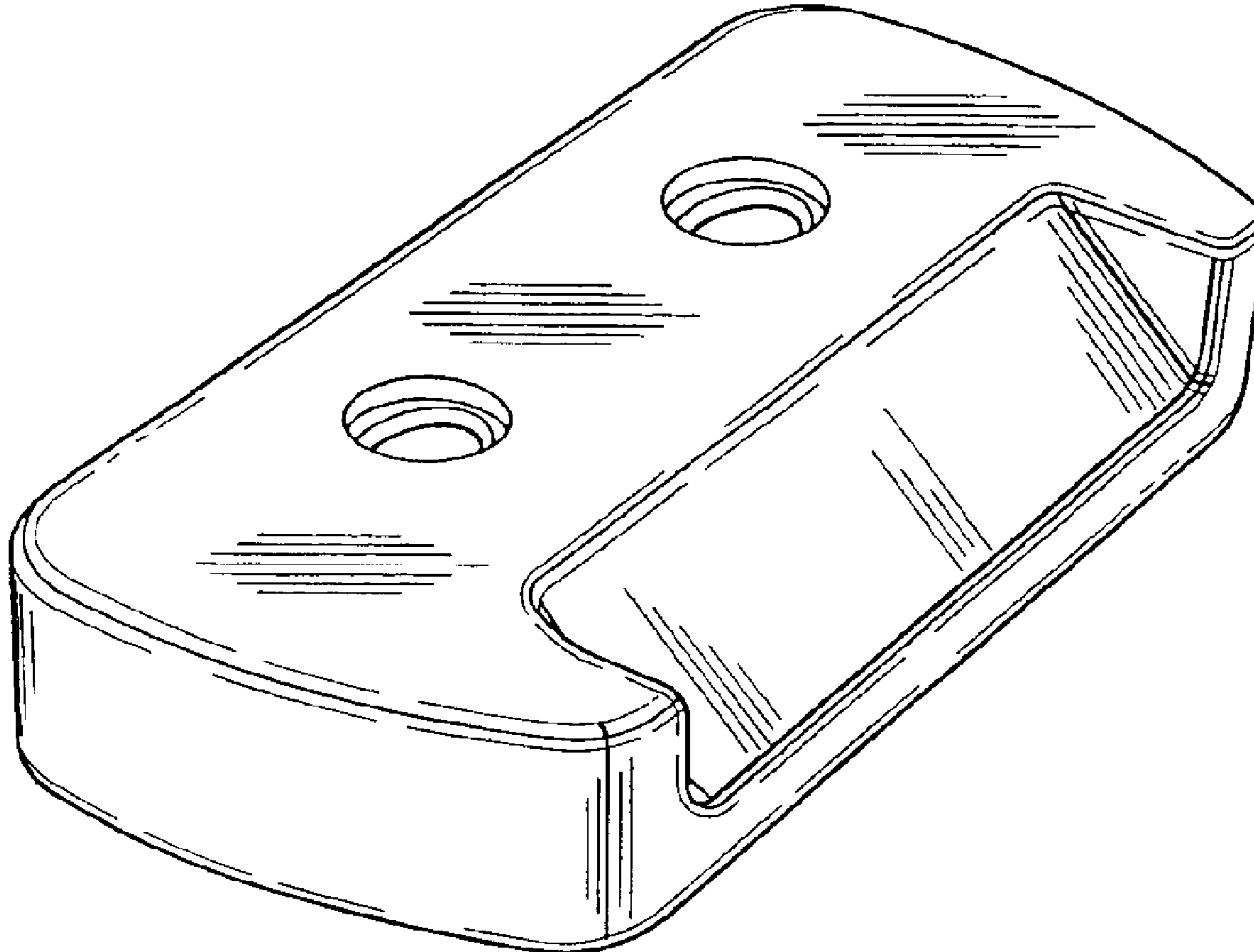
(56) **References Cited**

The broken line shown in FIG. 6 is for illustrative purposes only and forms no part of the claimed design.

U.S. PATENT DOCUMENTS

D240,578 S * 7/1976 Gottsegen D6/469
D287,372 S * 12/1986 Henkels D19/22

1 Claim, 3 Drawing Sheets



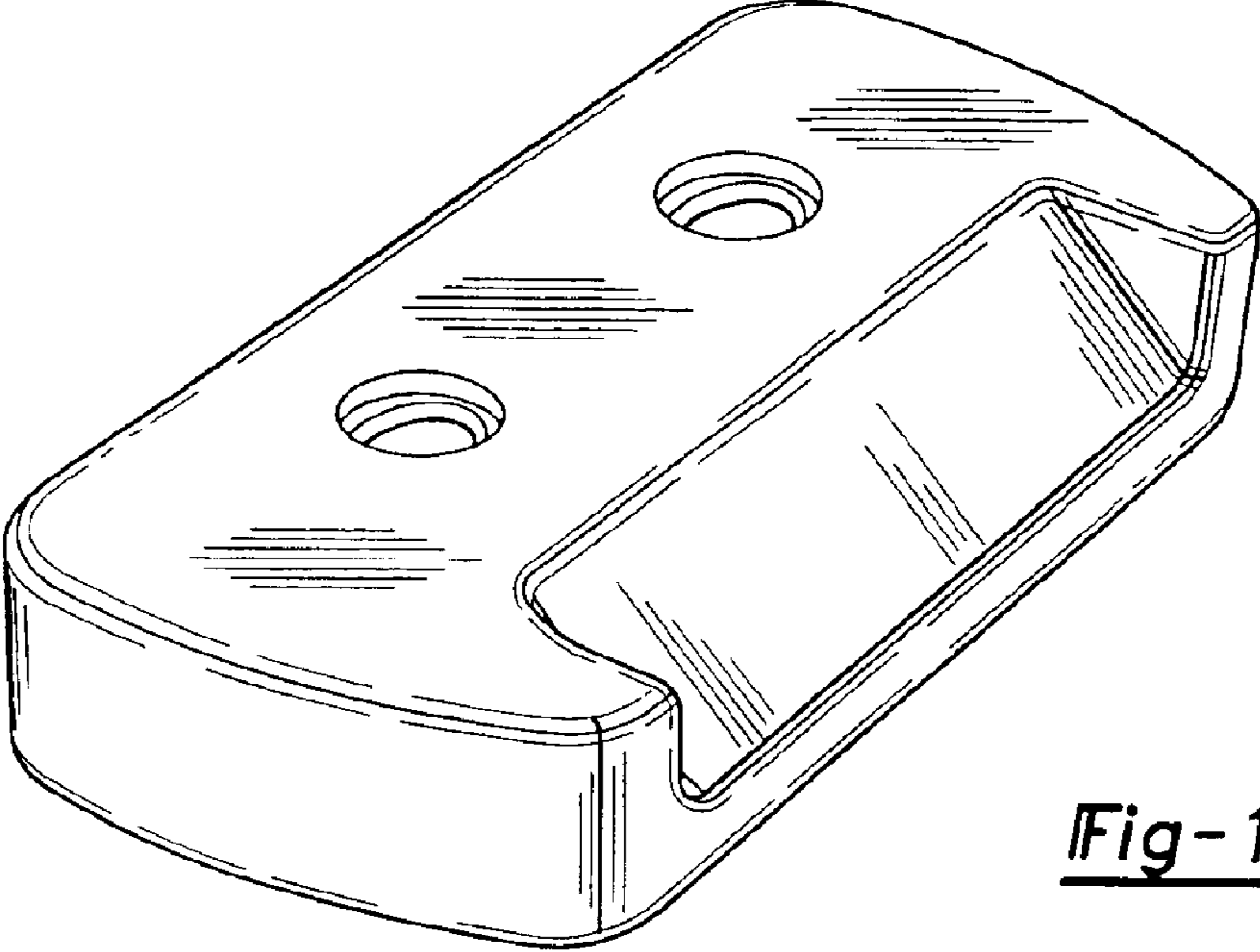


Fig-1

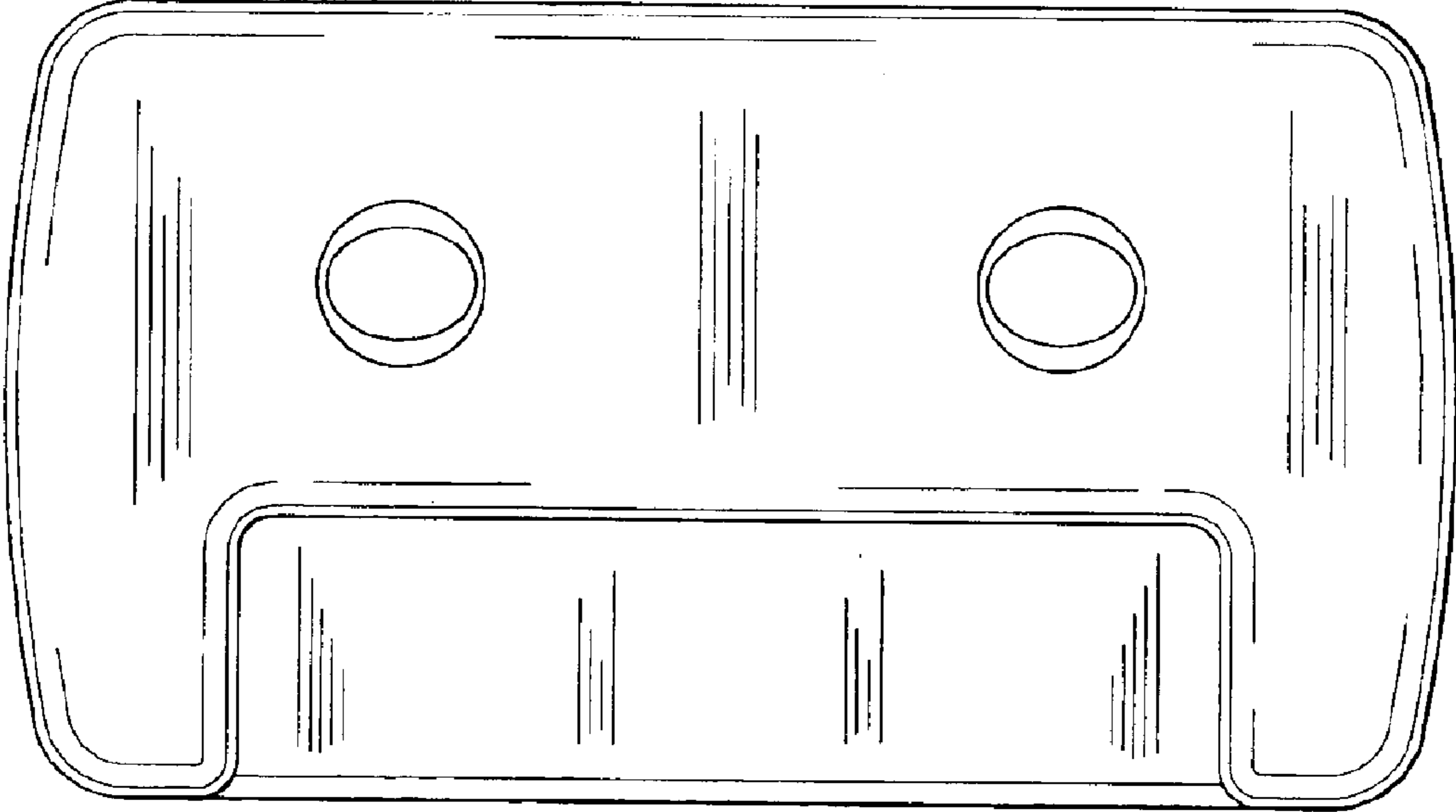


Fig-2

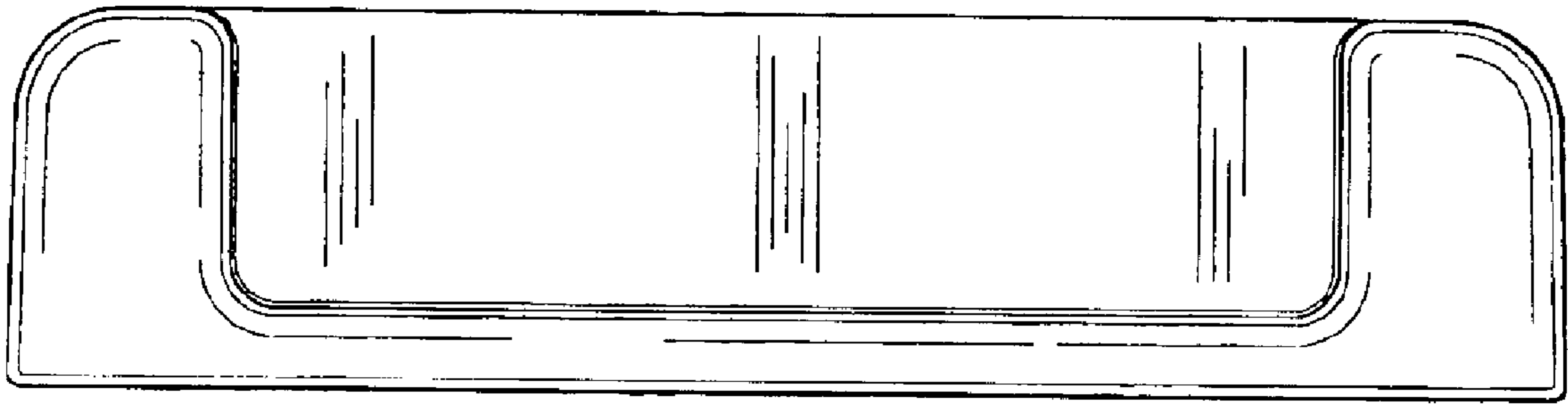


Fig-3

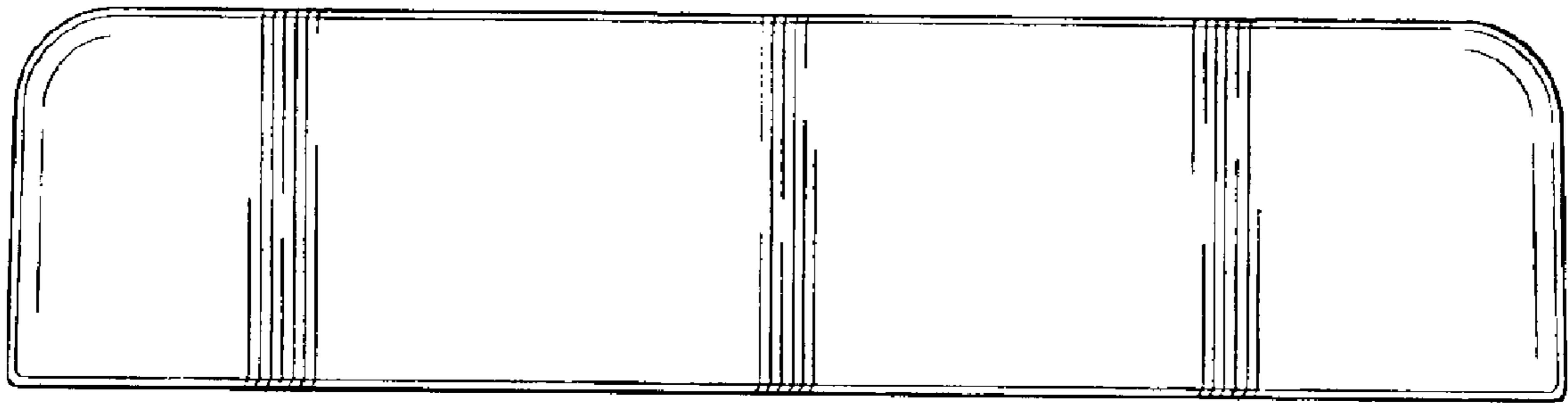


Fig-4

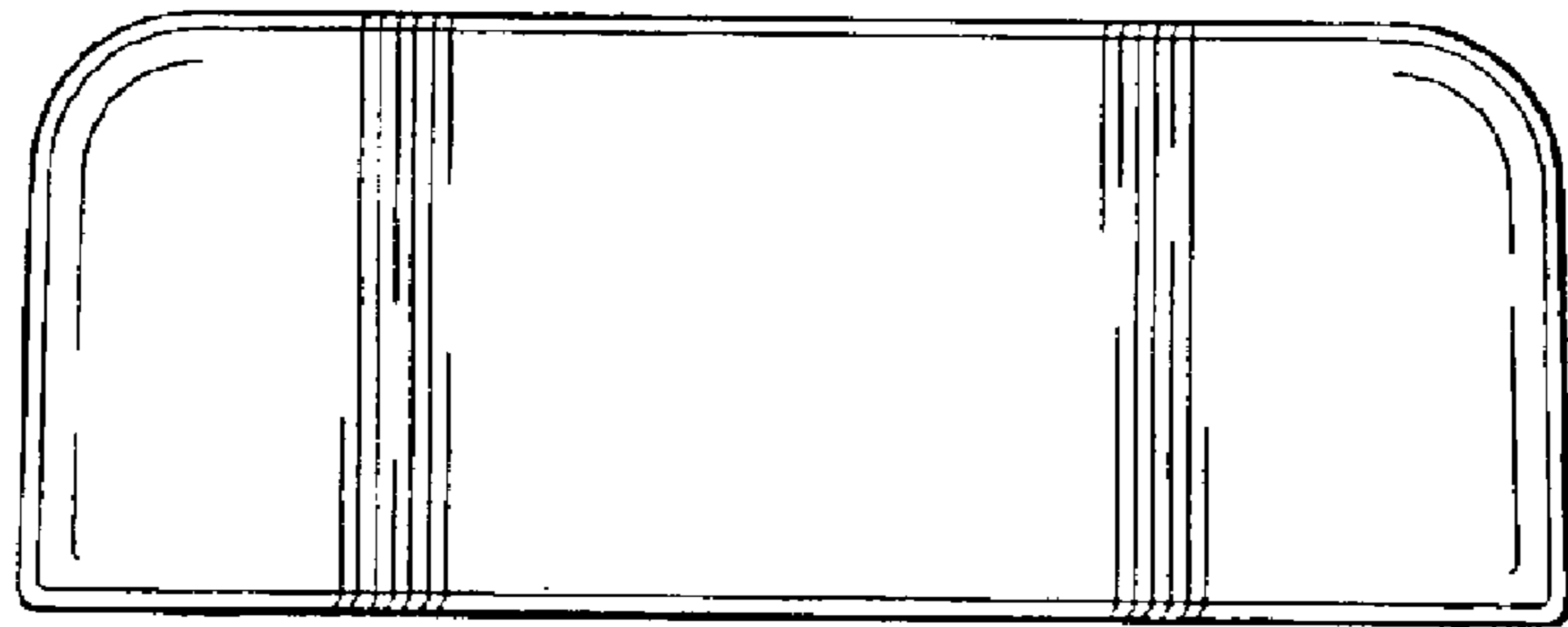


Fig-5

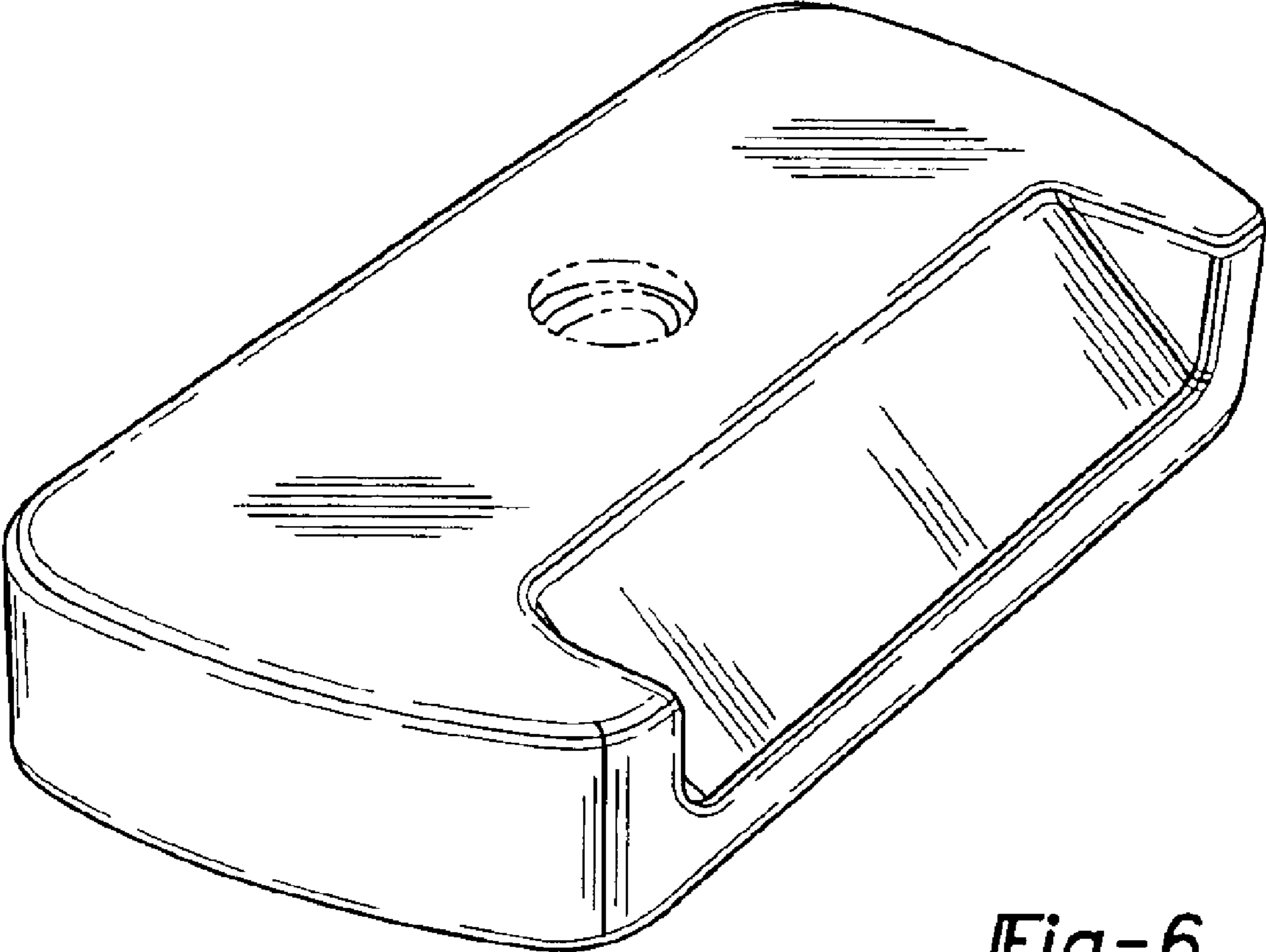


Fig-6