

US00D506324S

(12) **United States Design Patent**
Milinov et al.

(10) **Patent No.: US D506,324 S**
(45) **Date of Patent: ** Jun. 21, 2005**

(54) **TRANSFORMABLE CHAIR INTO A DESK**

D470,666 S * 2/2003 Peloquin D6/336
D488,934 S * 4/2004 Milinov D6/336

(75) Inventors: **Ilian Vladimirov Milinov**, Sofia (BG);
Mladen Minkov Tsonev, Sofia (BG)

* cited by examiner

(73) Assignee: **Ort Joint-Stock Company**, Sofia (BG)

Primary Examiner—Mimosa De
(74) *Attorney, Agent, or Firm*—Reed Smith, LLP

(**) Term: **14 Years**

(57) **CLAIM**

(21) Appl. No.: **29/198,819**

The ornamental design for the transformable chair into a desk, as shown and described.

(22) Filed: **Feb. 6, 2004**

DESCRIPTION

(30) **Foreign Application Priority Data**

Aug. 8, 2003 (BG) 6987

(51) **LOC (8) Cl.** **06-01**

(52) **U.S. Cl.** **D6/335; D6/373**

(58) **Field of Search** D6/334–336, 338,
D6/367, 368, 371–373, 379, 380, 480, 481,
483, 484, 500–502; 297/118, 119, 122–126;
108/11, 13, 15, 115, 146

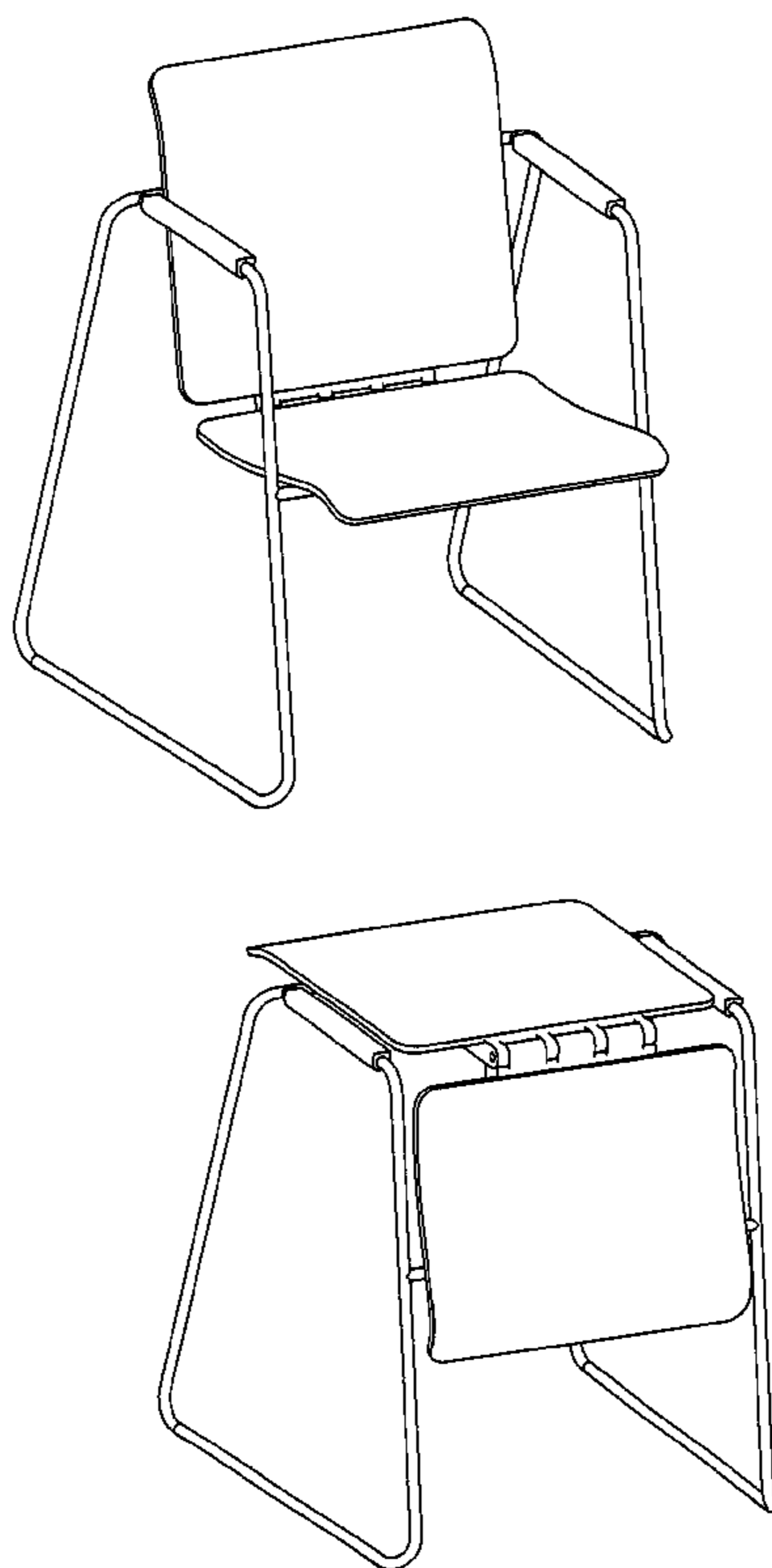
FIG. 1 is a front perspective view of a transformable chair into a desk showing our new design, shown in a chair configuration;
FIG. 2 is a rear perspective view thereof;
FIG. 3 is a side view thereof;
FIG. 4 is a front view thereof;
FIG. 5 is a top view thereof;
FIG. 6 is a rear view thereof;
FIG. 7 is a side view shown partially transformed into a table configuration thereof;
FIG. 8 is a front perspective view shown completely transformed into the table configuration thereof;
FIG. 9 is a rear perspective view of FIG. 8;
FIG. 10 is a side view of FIG. 8;
FIG. 11 is a front view of FIG. 8;
FIG. 12 is a top view of FIG. 8; and,
FIG. 13 is a rear view of FIG. 8.

(56) **References Cited**

U.S. PATENT DOCUMENTS

D147,671 S * 10/1947 Kirkpatrick D6/480
D248,904 S * 8/1978 Julian D6/373
D260,584 S * 9/1981 Albinson D6/373
D294,783 S * 3/1988 Goldman D6/373
D316,938 S * 5/1991 Hess D6/373
D325,833 S * 5/1992 Saotome D6/484
5,123,697 A * 6/1992 Szczurek 297/126
D435,736 S * 1/2001 Chrisco et al. D6/338

1 Claim, 4 Drawing Sheets



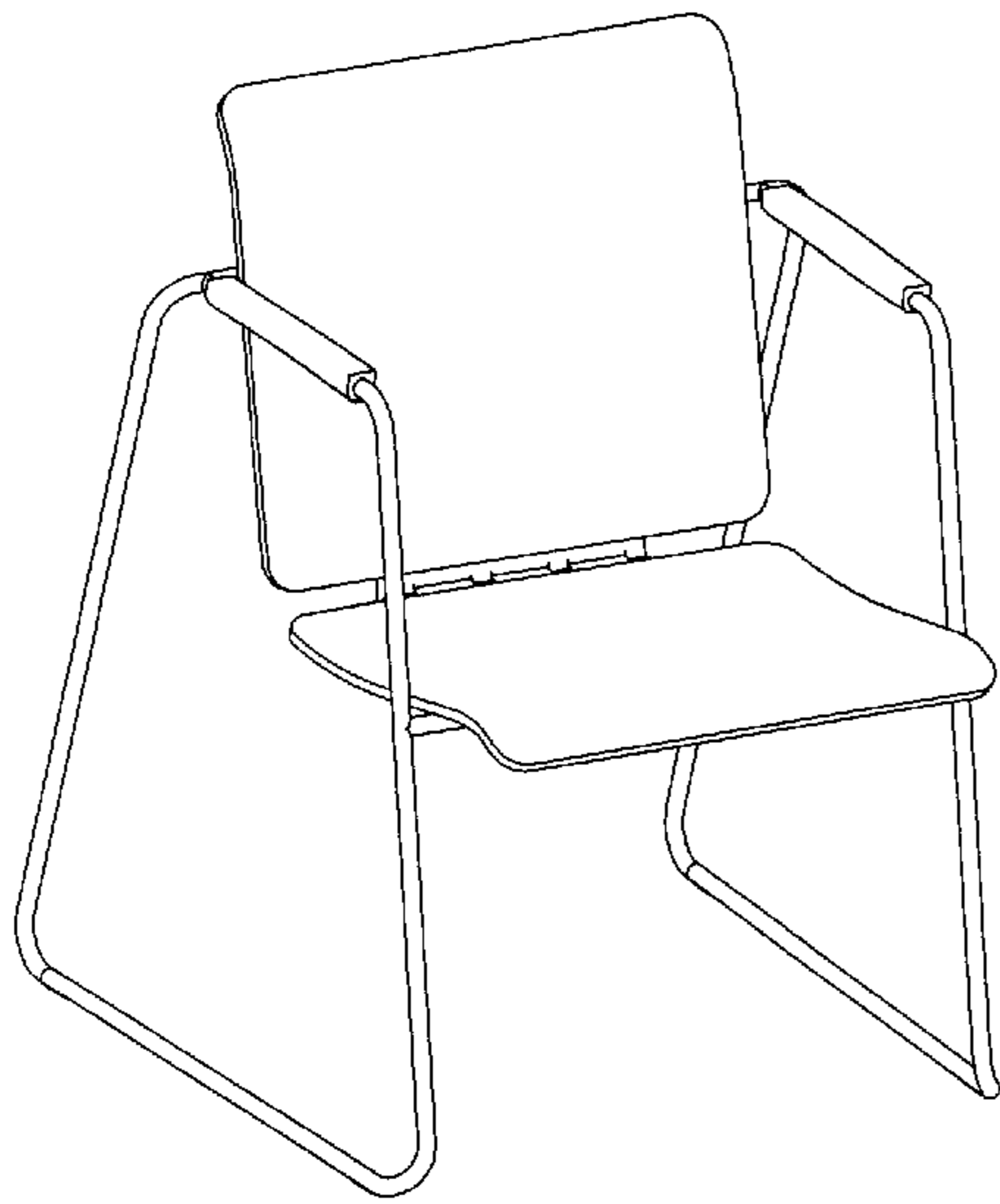


Fig. 1

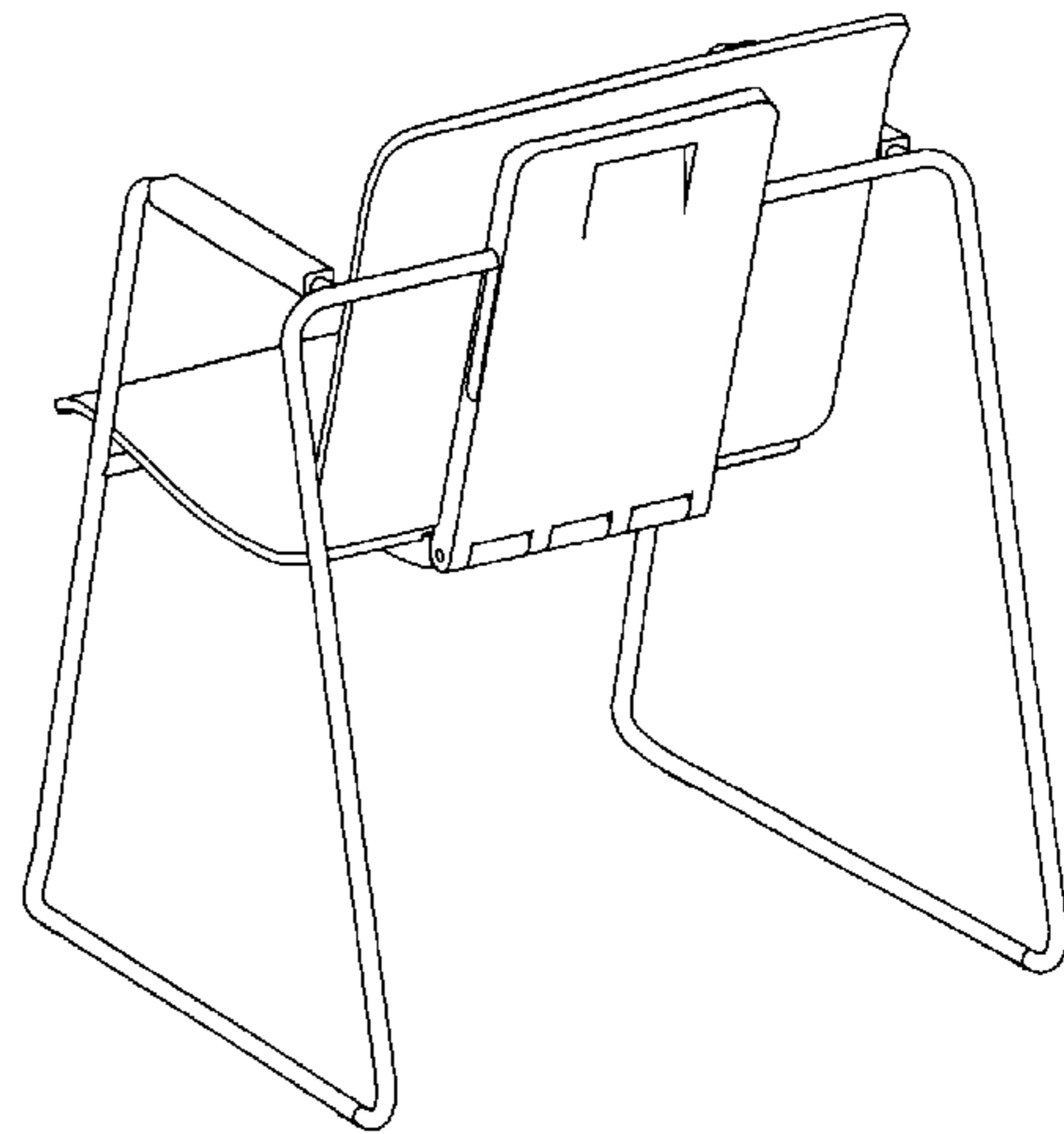


Fig. 2

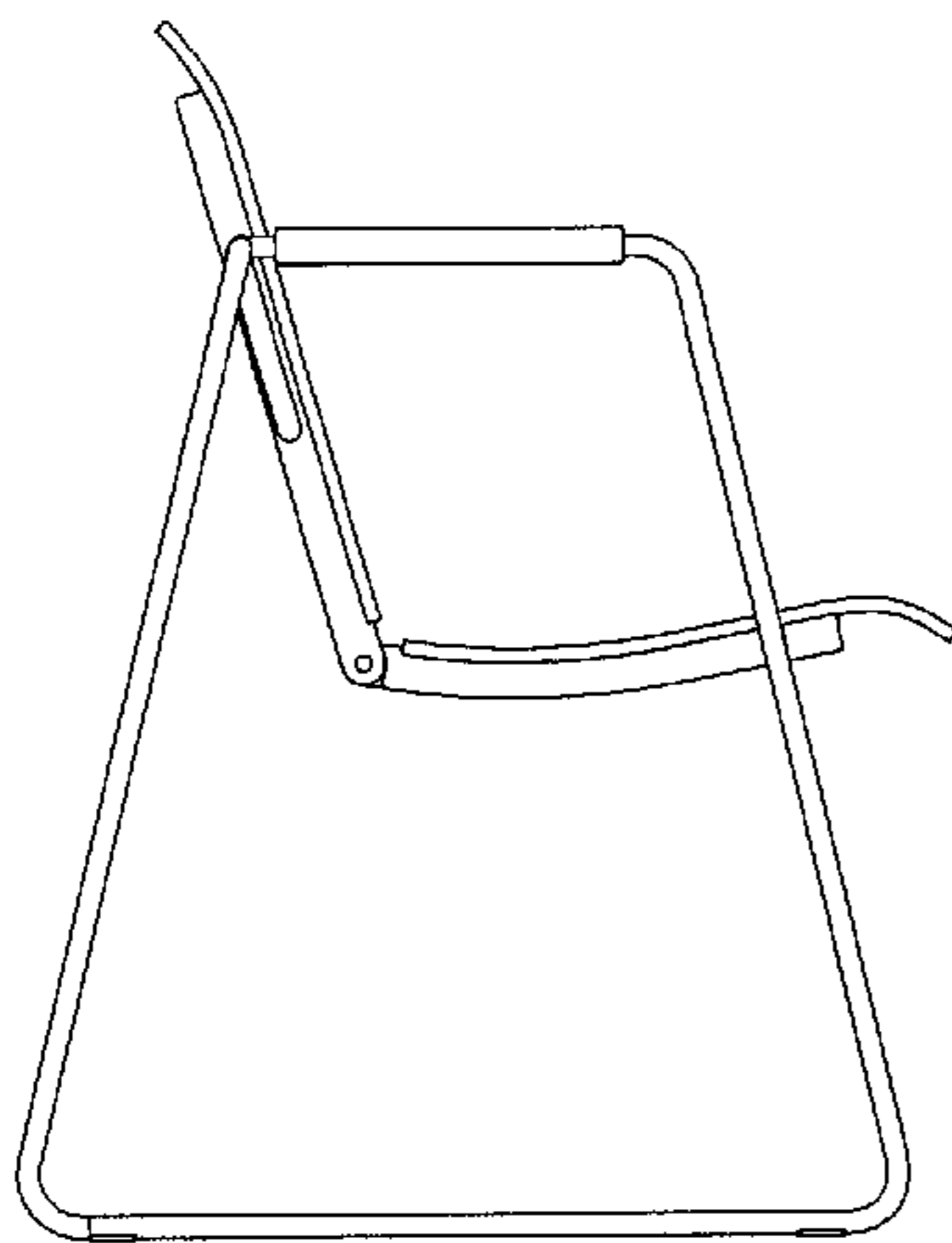


Fig. 3

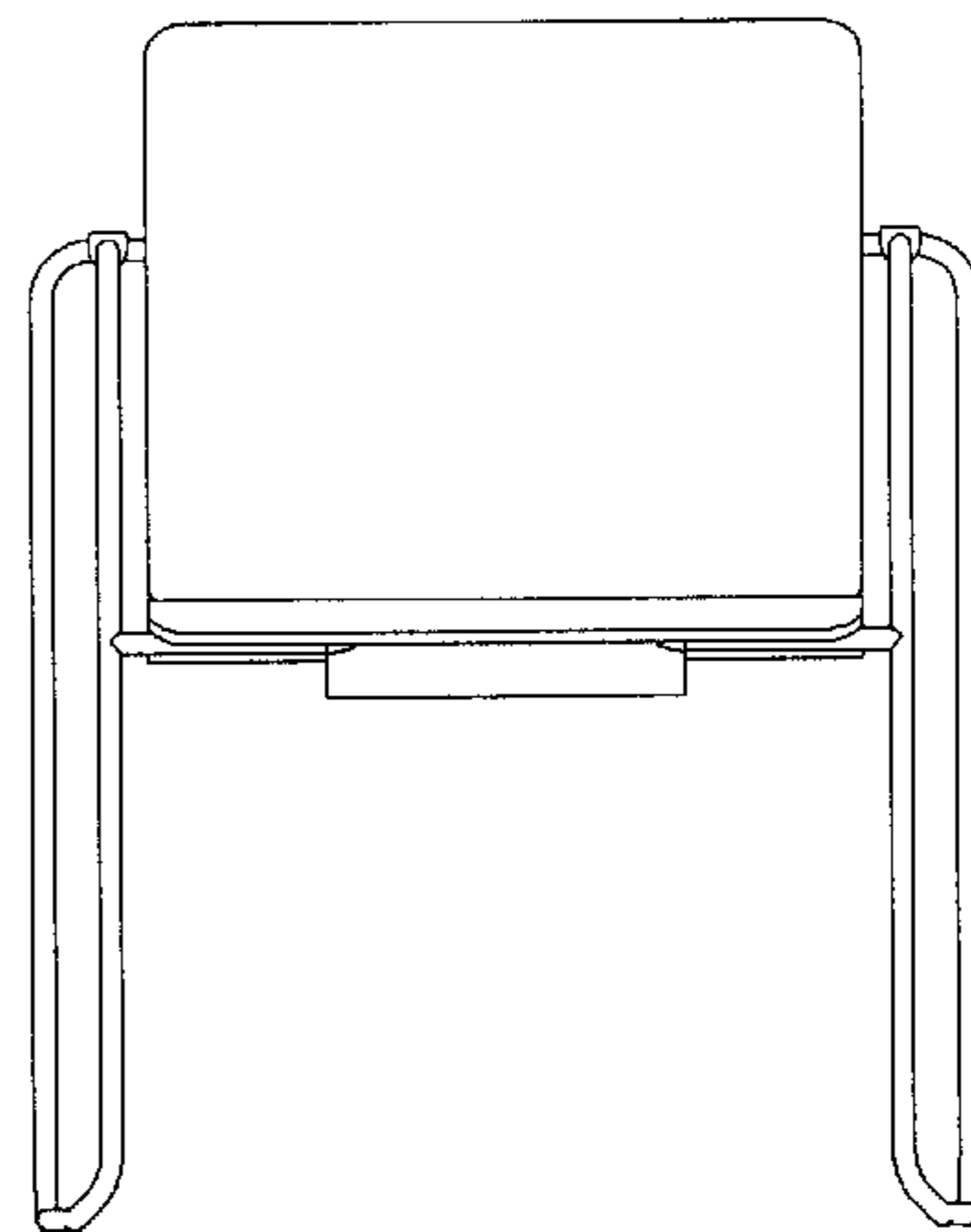


Fig. 4

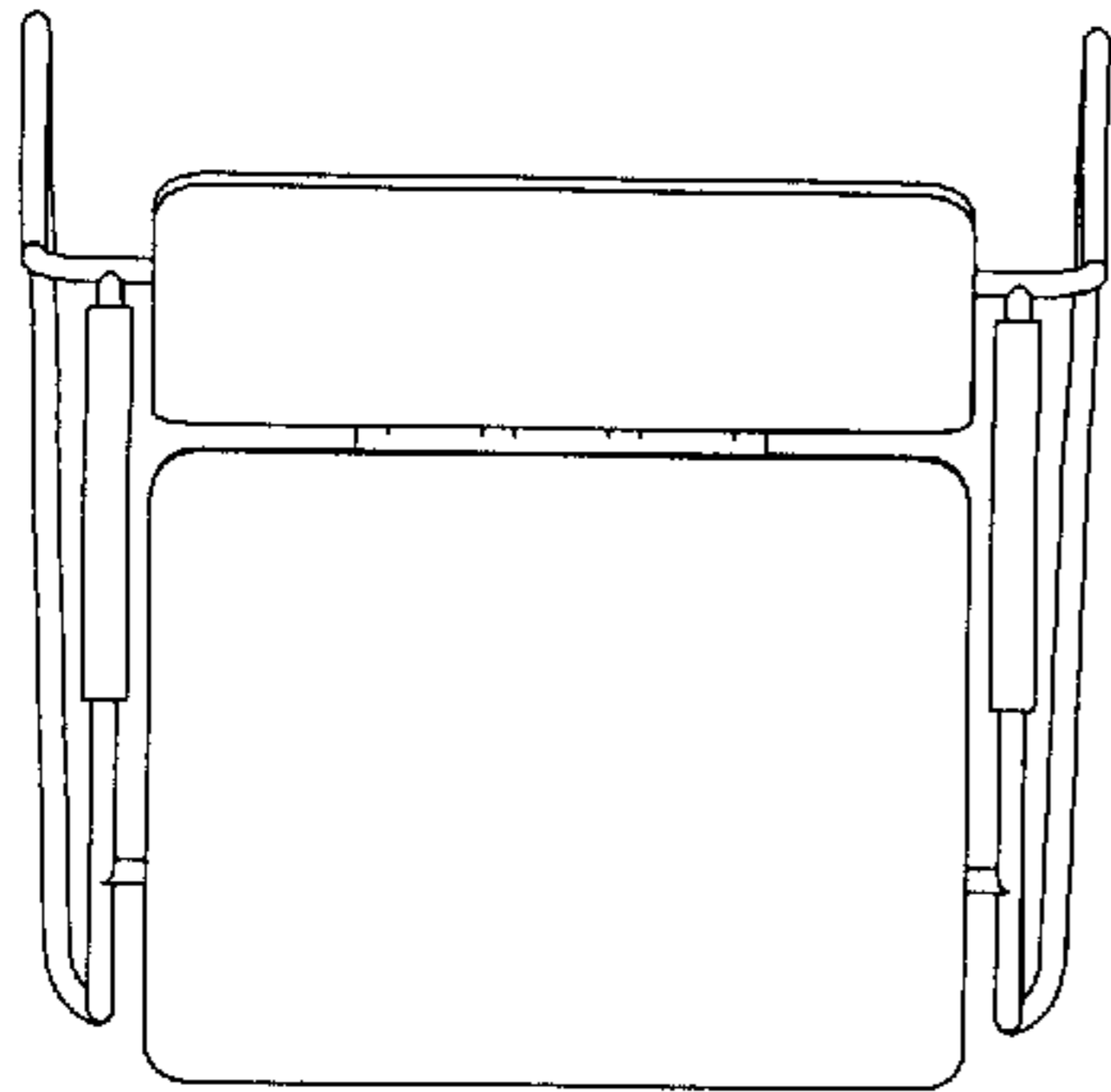


Fig. 5

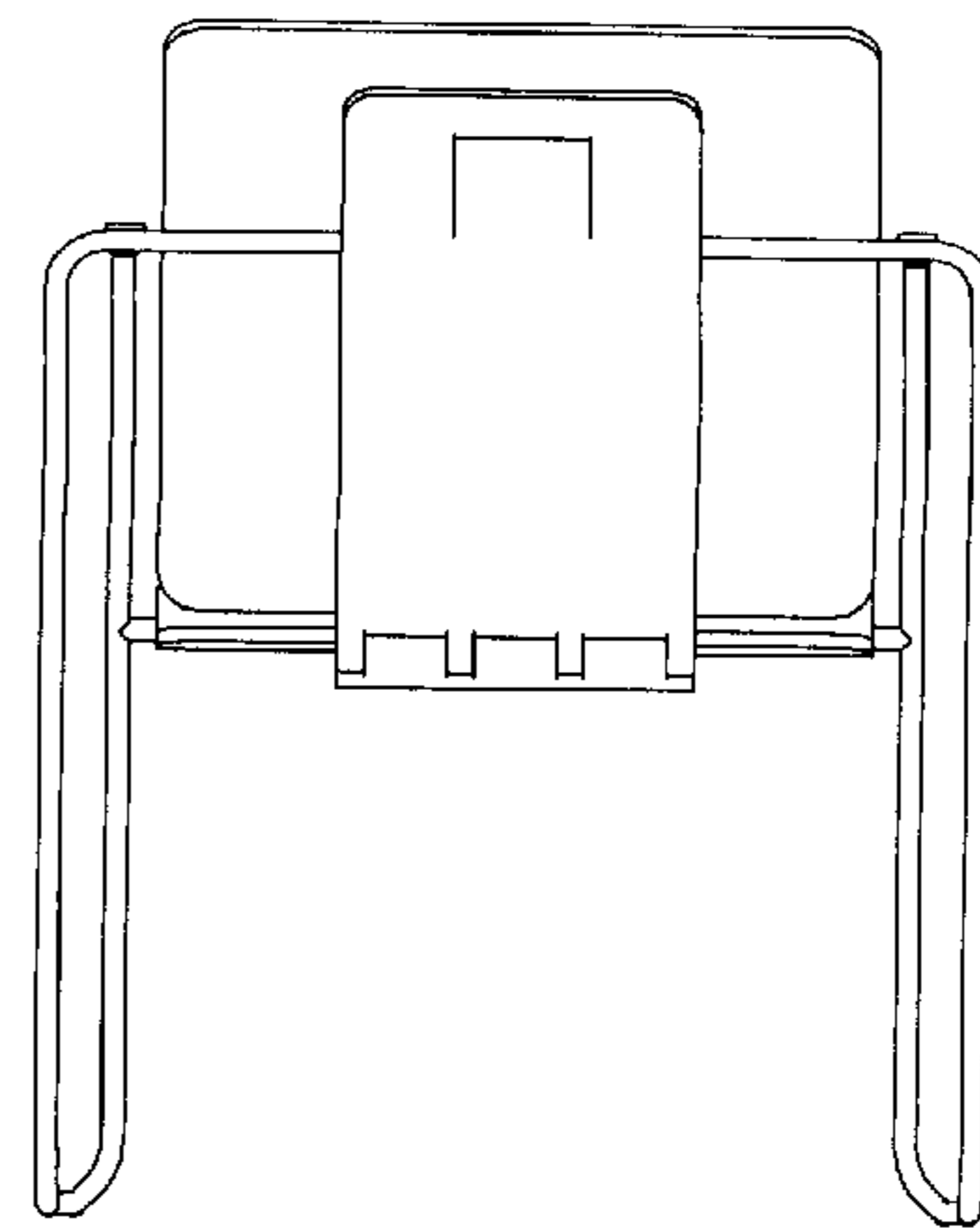


Fig. 6

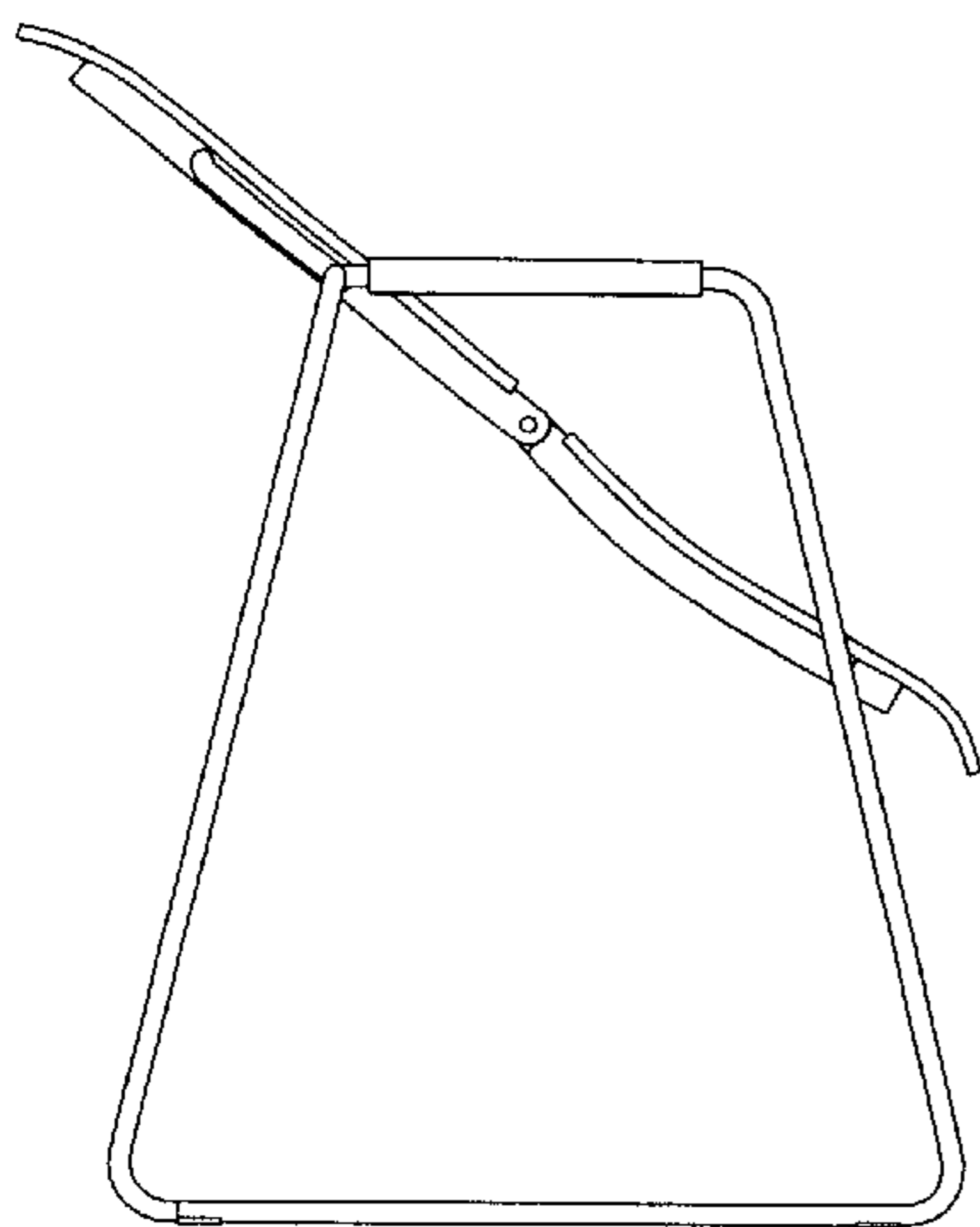


Fig. 7

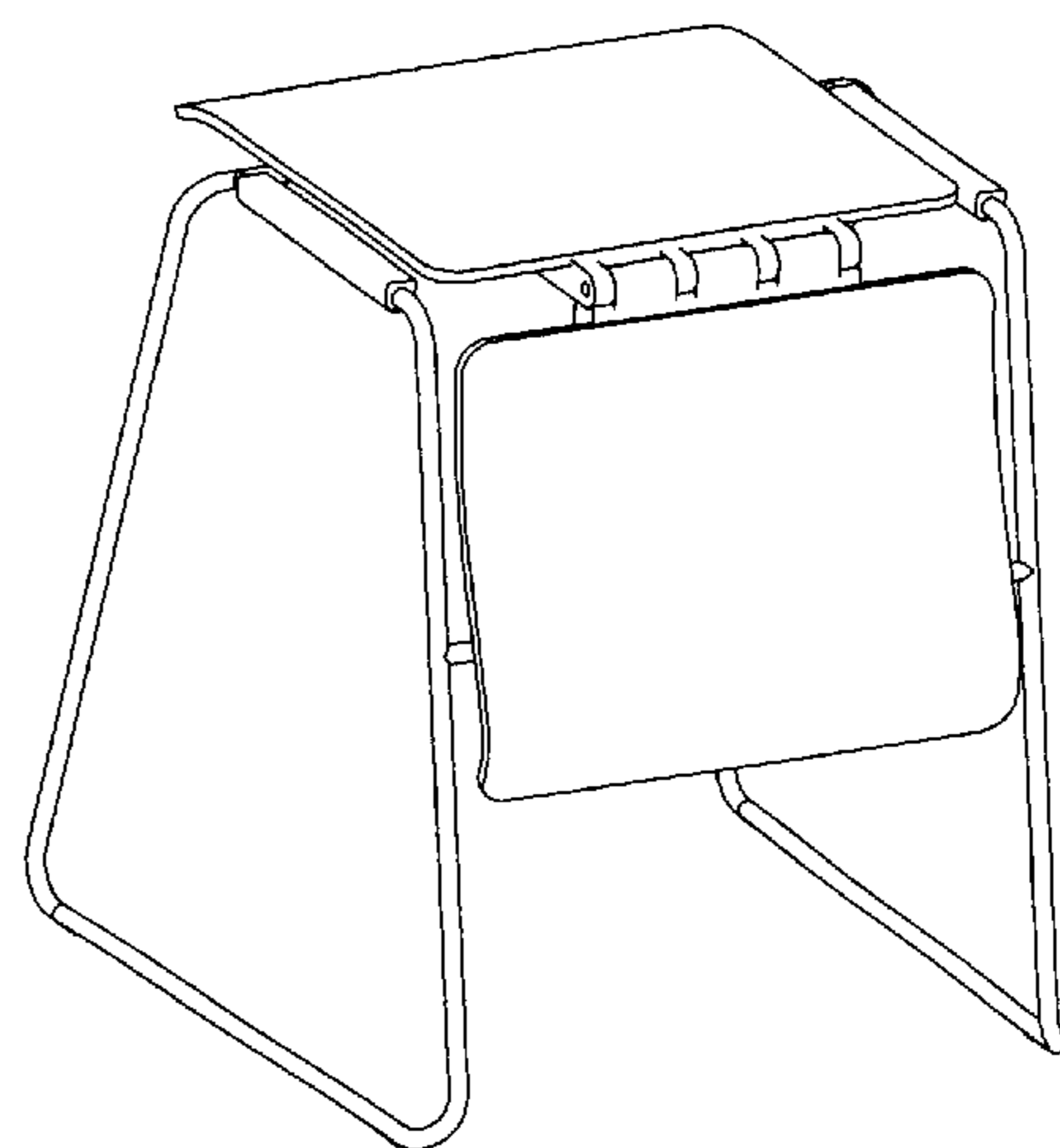


Fig. 8

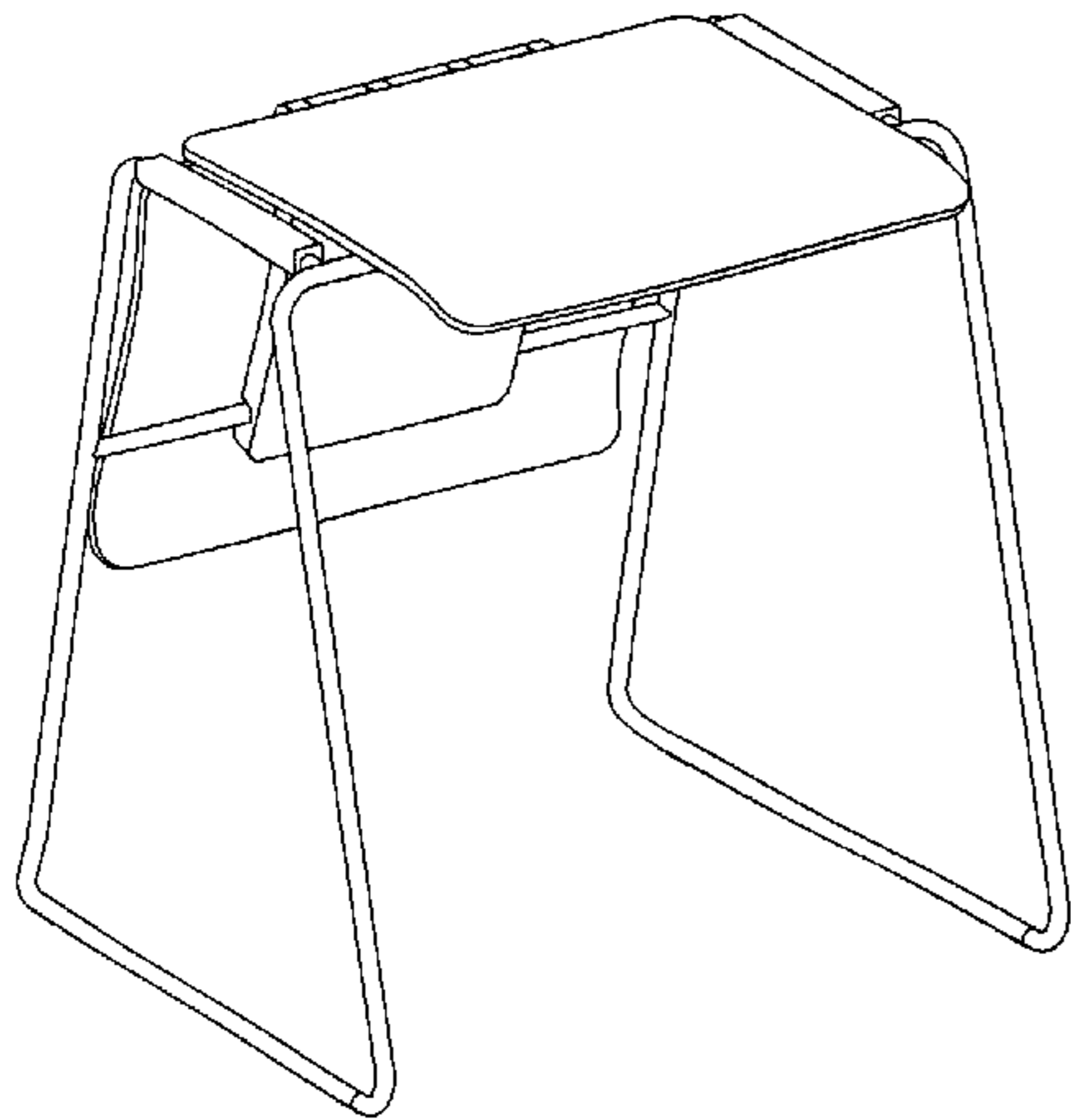


Fig. 9

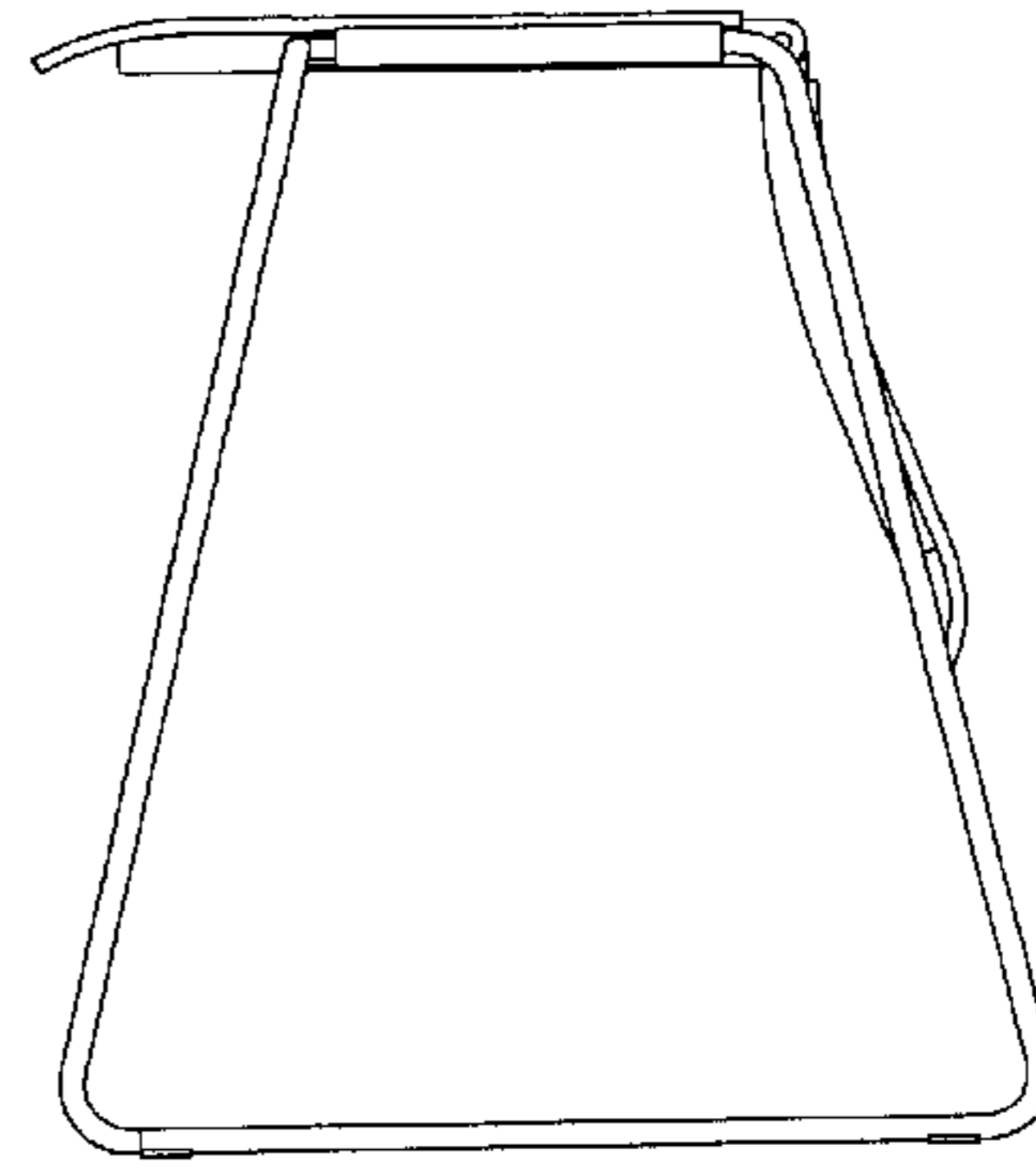


Fig. 10

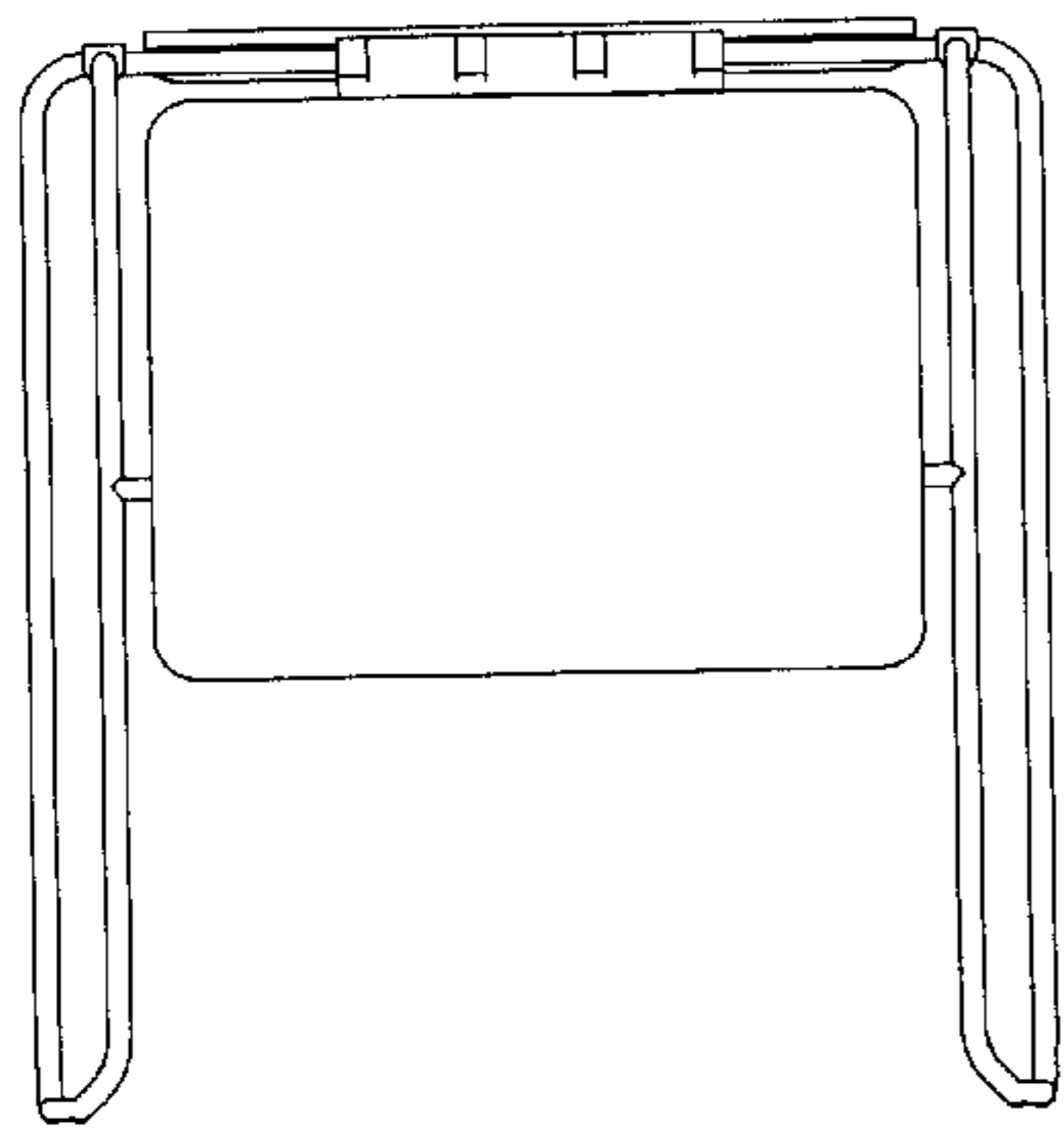


Fig. 11

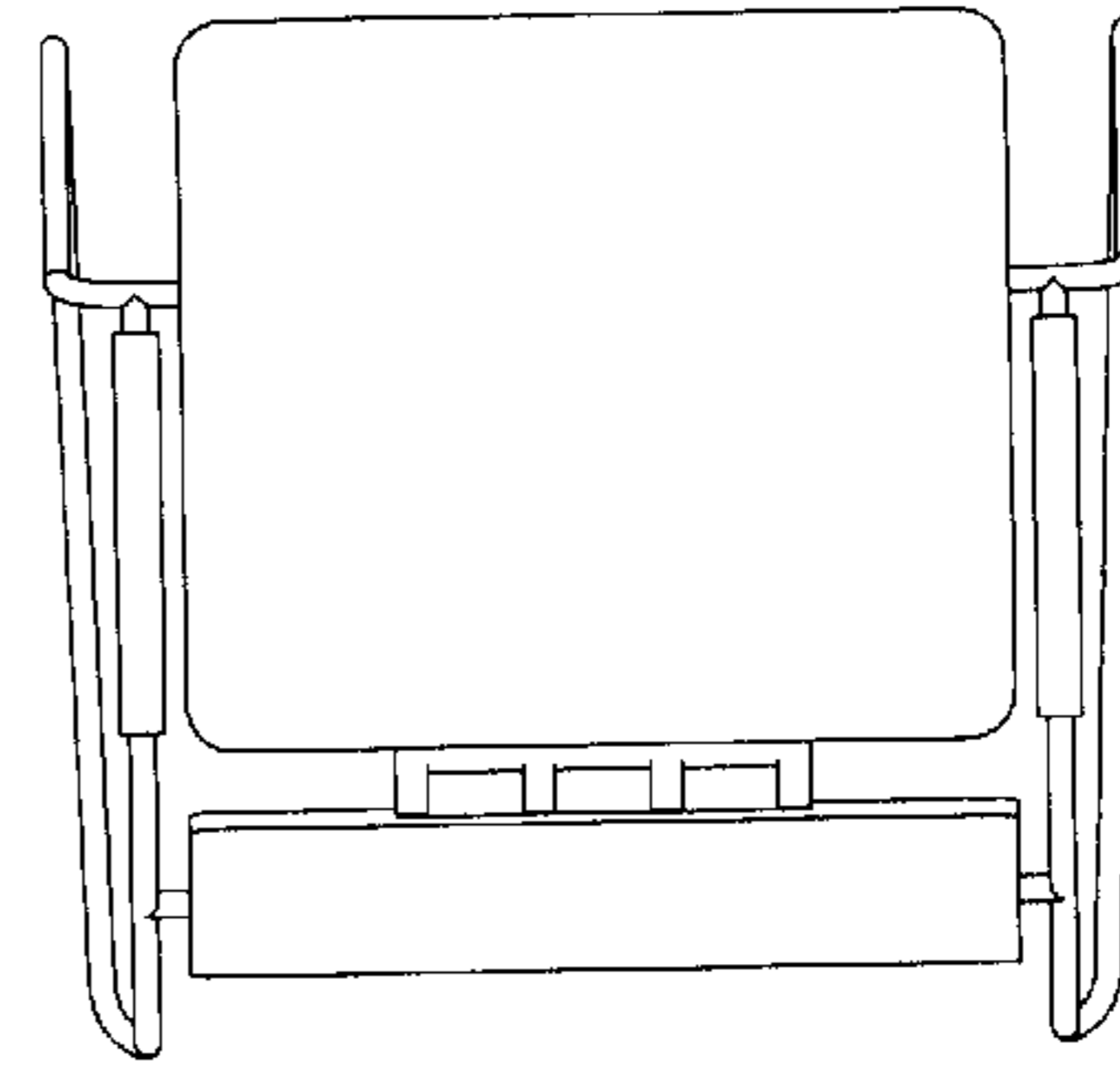


Fig. 12

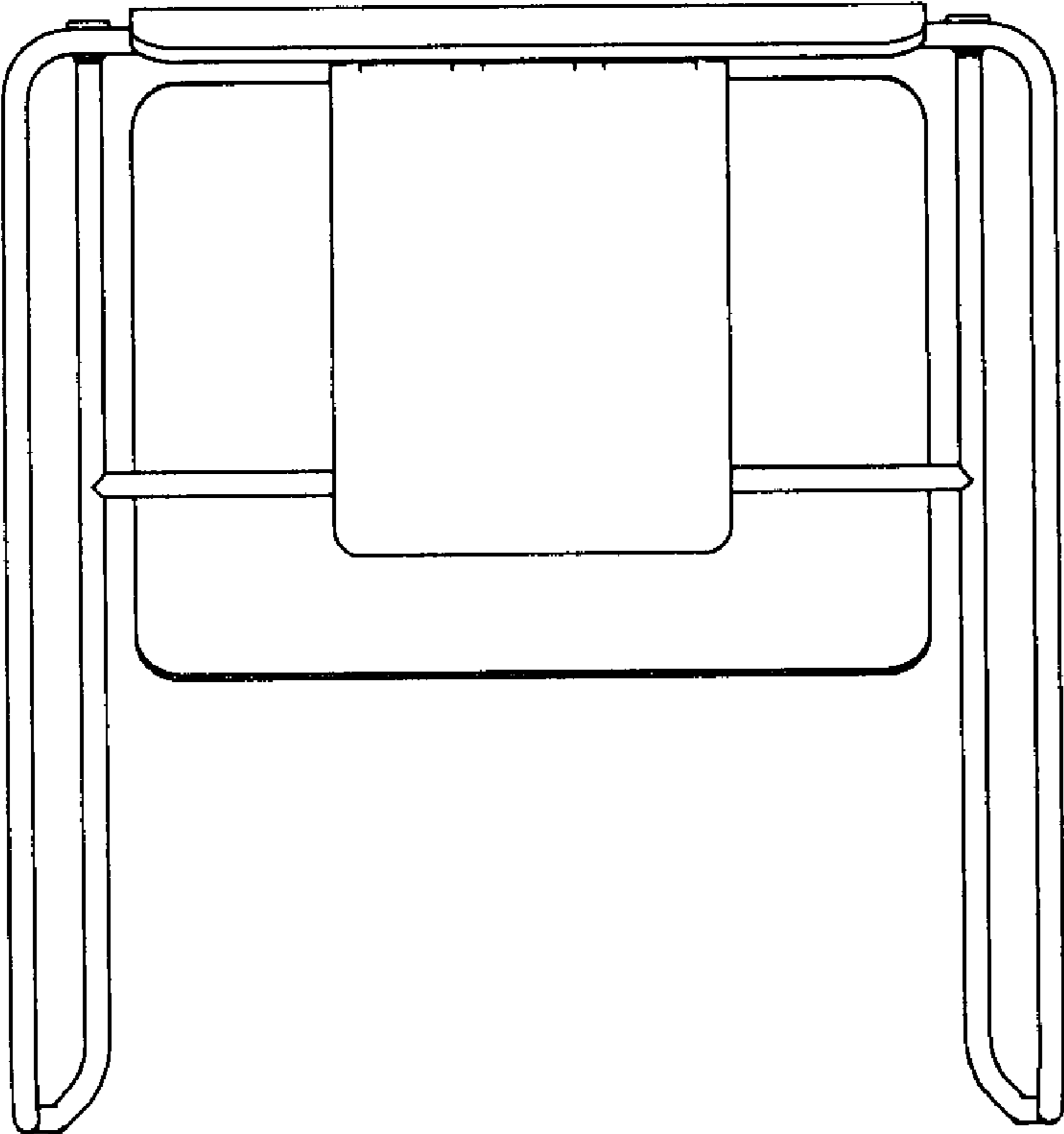


Fig. 13