

US00D506321S

(12) **United States Design Patent**  
**Ming**

(10) **Patent No.:** **US D506,321 S**  
(45) **Date of Patent:** **\*\* Jun. 21, 2005**

(54) **VERTICAL COLUMN SECTIONAL BAR FOR PANEL**

(75) Inventor: **Eric Yim Chi Ming**, Kowloon (HK)

(73) Assignee: **Posh International (Asia) Limited**,  
Kowloon (HK)

(\*\*) Term: **14 Years**

(21) Appl. No.: **29/204,190**

(22) Filed: **Apr. 26, 2004**

(51) **LOC (8) Cl.** ..... **06-06**

(52) **U.S. Cl.** ..... **D6/332**

(58) **Field of Search** ..... D6/332, 494, 421,  
D6/492, 329; 160/135, 351; D25/58; 312/194-196;  
52/455

(56) **References Cited**

**U.S. PATENT DOCUMENTS**

D242,100 S	*	11/1976	Casey	.....	D6/332
D296,619 S	*	7/1988	Charman	.....	D6/332
D314,492 S	*	2/1991	Weller et al.	.....	D7/623
D352,399 S	*	11/1994	Goodwin	.....	D6/332
D353,731 S	*	12/1994	Burgasser et al.	.....	D6/332

D419,799 S	*	2/2000	King et al.	.....	D6/494
D492,504 S	*	7/2004	Gower	.....	D6/421
D492,516 S	*	7/2004	Nemec et al.	.....	D6/492
D493,041 S	*	7/2004	Gower	.....	D6/421

\* cited by examiner

*Primary Examiner*—Ruth McInroy

*Assistant Examiner*—Terrence Huang

(74) *Attorney, Agent, or Firm*—Law Office of Sergei Orel, LLC

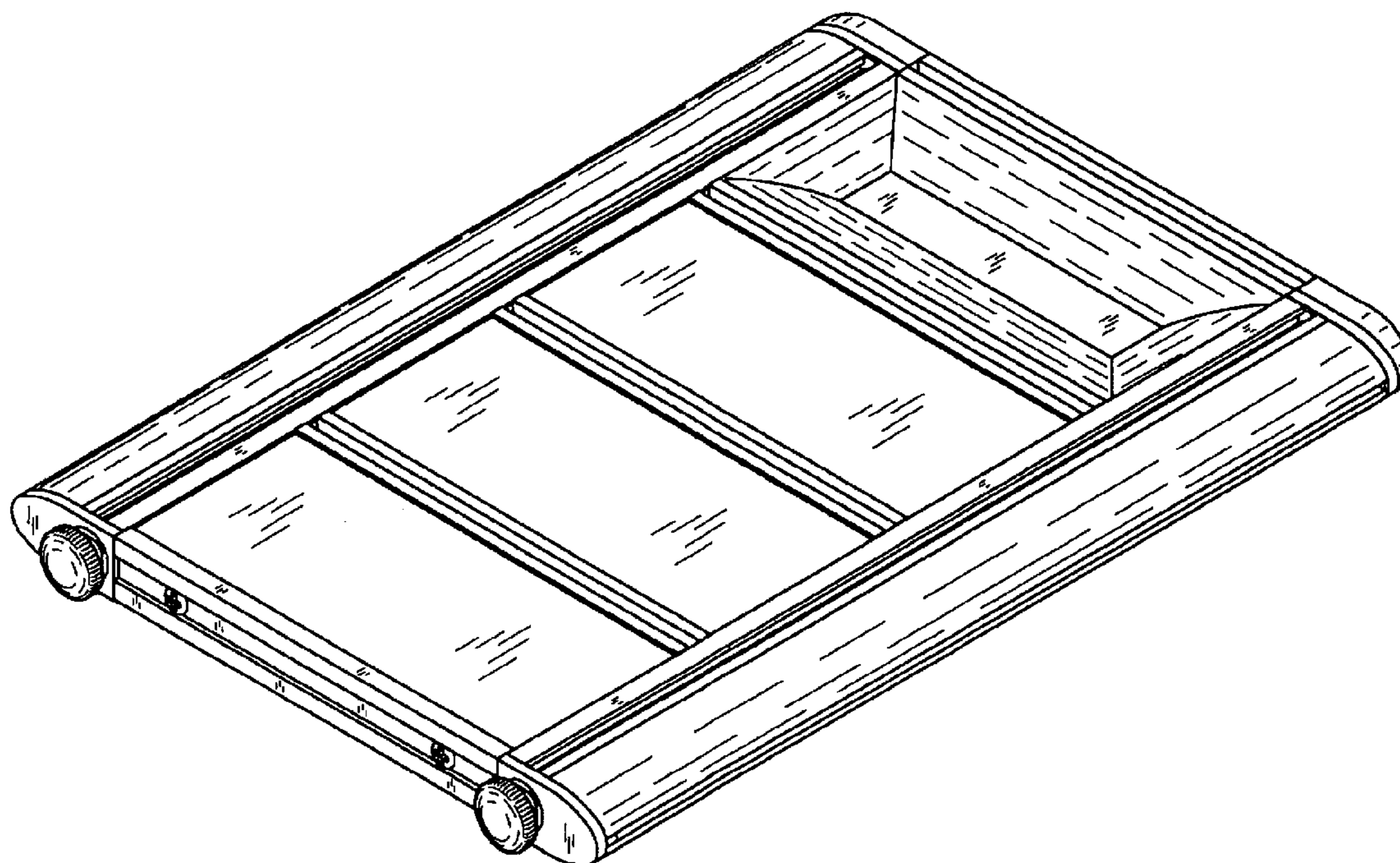
(57) **CLAIM**

The ornamental design for a vertical column sectional bar for panel, as shown and described.

**DESCRIPTION**

FIG. 1 is a bottom view for a vertical column sectional bar for panel showing my new design;  
FIG. 2 is a top view thereof;  
FIG. 3 is a front view thereof;  
FIG. 4 is a left side view thereof;  
FIG. 5 is a back view thereof;  
FIG. 6 is a right side view thereof;  
FIG. 7 is a perspective view thereof; and,  
FIG. 8 is an exploded perspective view thereof.

**1 Claim, 5 Drawing Sheets**



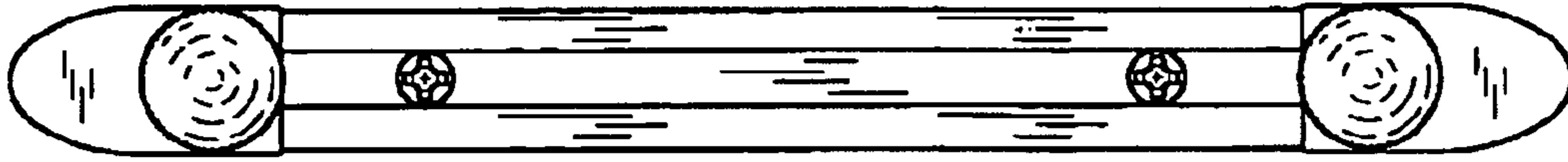


Fig.1

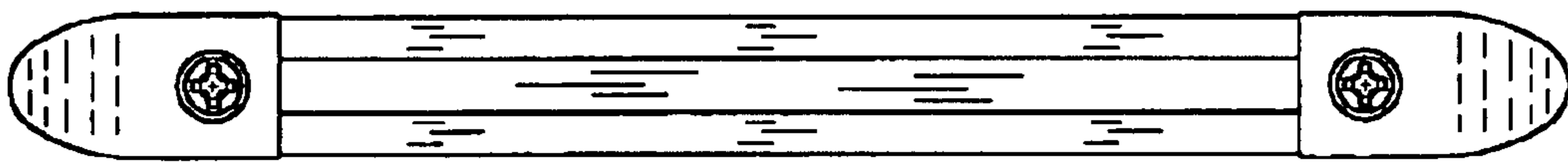


Fig.2

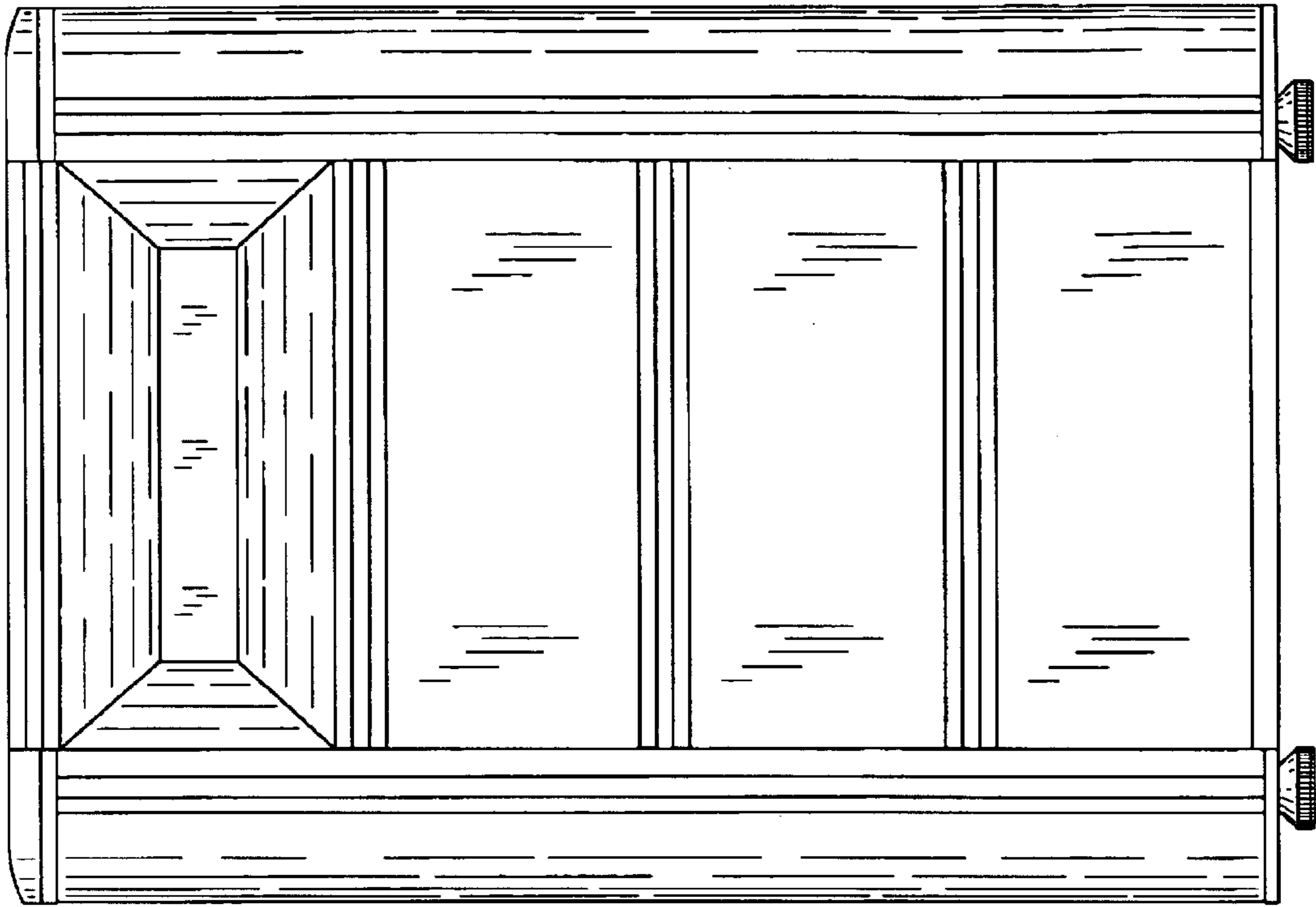


Fig.3

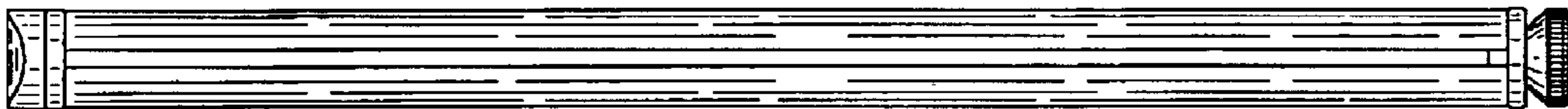


Fig.4

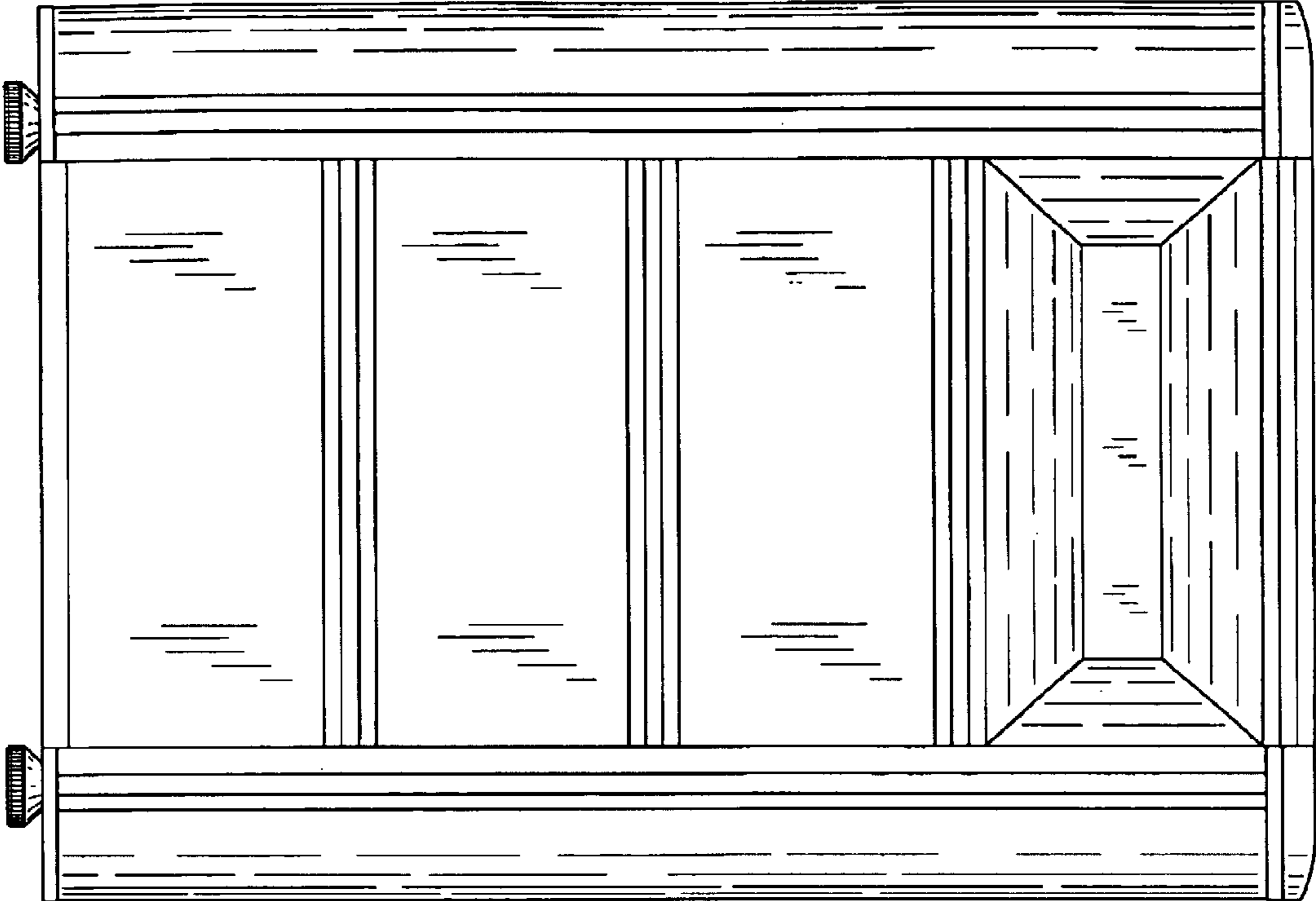


Fig.5

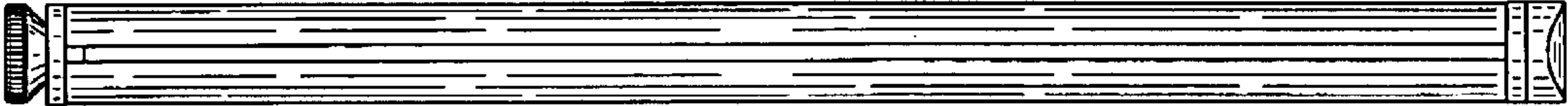


Fig.6

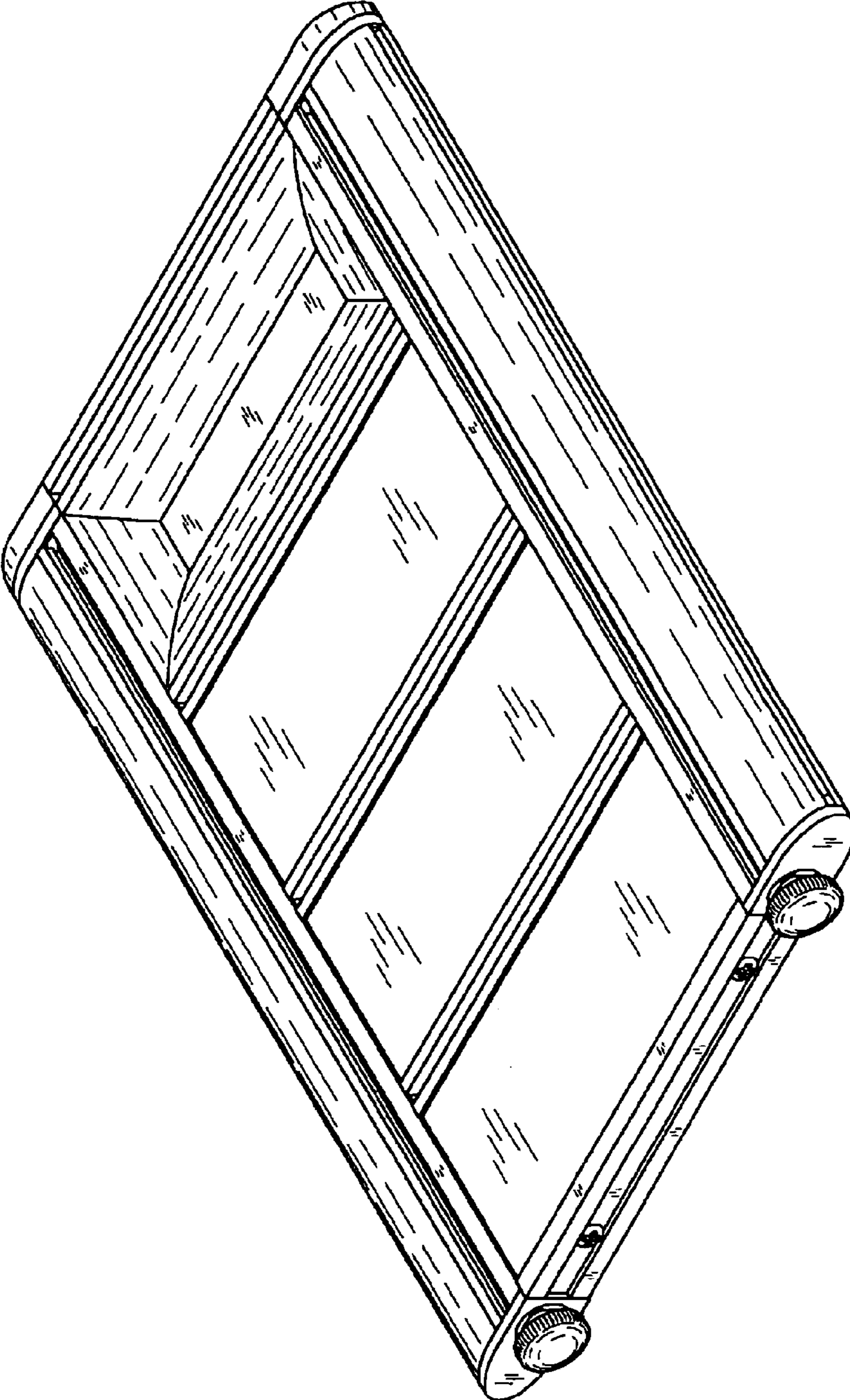


Fig.7

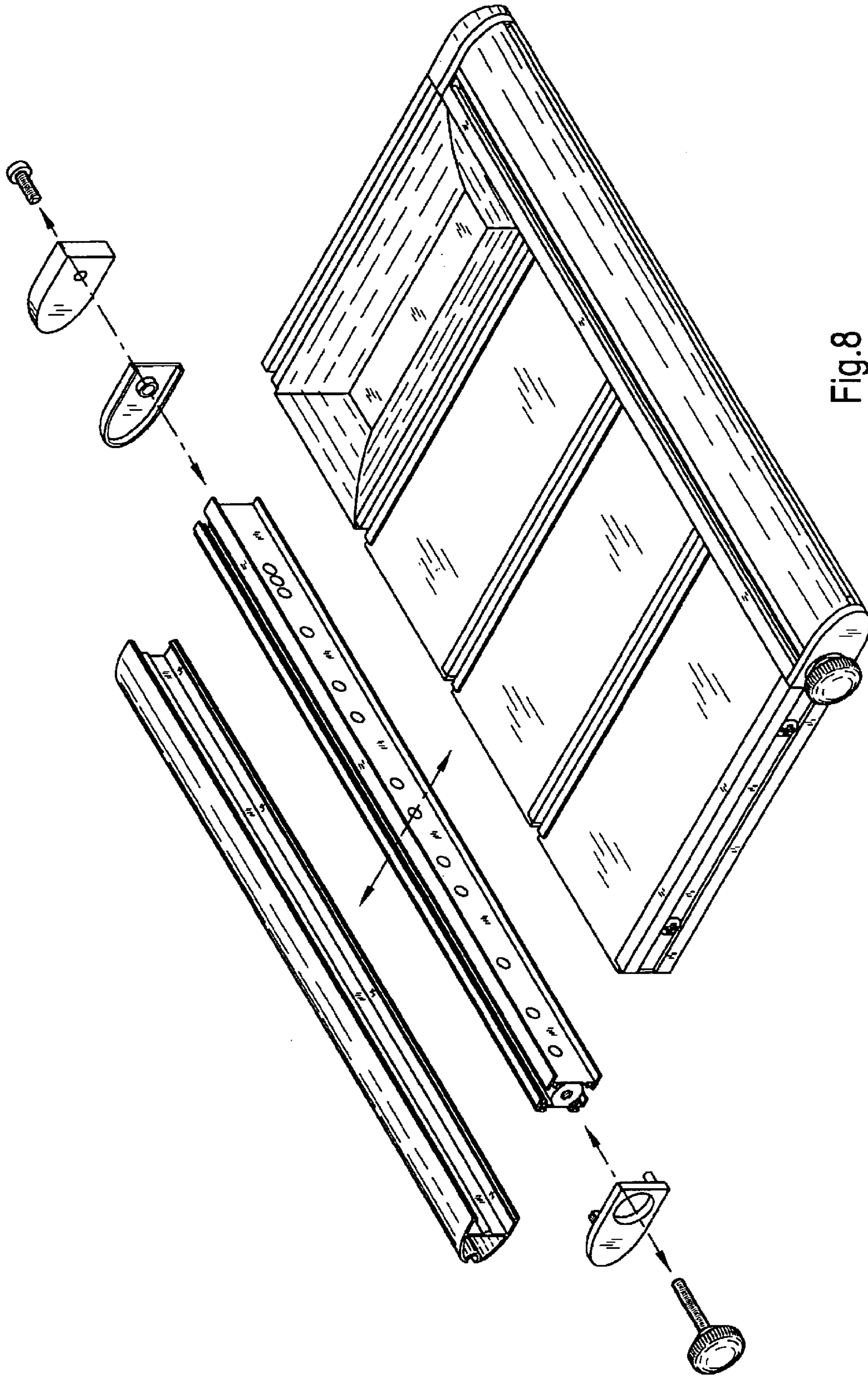


Fig. 8