

US00D506319S

(12) **United States Design Patent**
Chan

(10) **Patent No.:** **US D506,319 S**
(45) **Date of Patent:** **** Jun. 21, 2005**

(54) **MIRROR**

(75) **Inventor:** **Sik-Leung Chan**, New Territories (CN)

(73) **Assignee:** **C. C. & L Company Limited**, Tsuen Wan (CN)

(**) **Term:** **14 Years**

(21) **Appl. No.:** **29/201,770**

(22) **Filed:** **Mar. 18, 2004**

(30) **Foreign Application Priority Data**

Oct. 15, 2003 (HK) 0311738

(51) **LOC (8) Cl.** **06-07**

(52) **U.S. Cl.** **D6/310**

(58) **Field of Search** D6/300-314, 444;
40/700, 711, 714, 715, 716, 719, 720, 721,
722, 735, 738, 744, 745, 754, 765, 768,
769, 790, 798, 597; D20/29-32, 10; D11/131,
133, 134, 135; 359/838, 871, 872; 248/466-467;
D28/83

(56) **References Cited**

U.S. PATENT DOCUMENTS

D260,305 S * 8/1981 MacGregor et al. D6/308

D283,853 S * 5/1986 Wistrand D6/308
D321,360 S * 11/1991 Cheng D16/229
D462,843 S * 9/2002 Chan D6/310
D483,575 S * 12/2003 Chan D6/310

OTHER PUBLICATIONS

Engco Industrial (H.K.) Ltd. catalog, vol. 8, 1981, p. 228.*

* cited by examiner

Primary Examiner—Janice E. Seeger

Assistant Examiner—Sydney R. Buffalow

(74) *Attorney, Agent, or Firm*—Alix, Yale & Ristas, LLP

(57) **CLAIM**

The ornamental design for a mirror, as shown and described.

DESCRIPTION

FIG. 1 is a perspective view of a mirror showing my new design;

FIG. 2 is a front elevational view thereof;

FIG. 3 is a right side elevational view thereof;

FIG. 4 is a top plan view thereof;

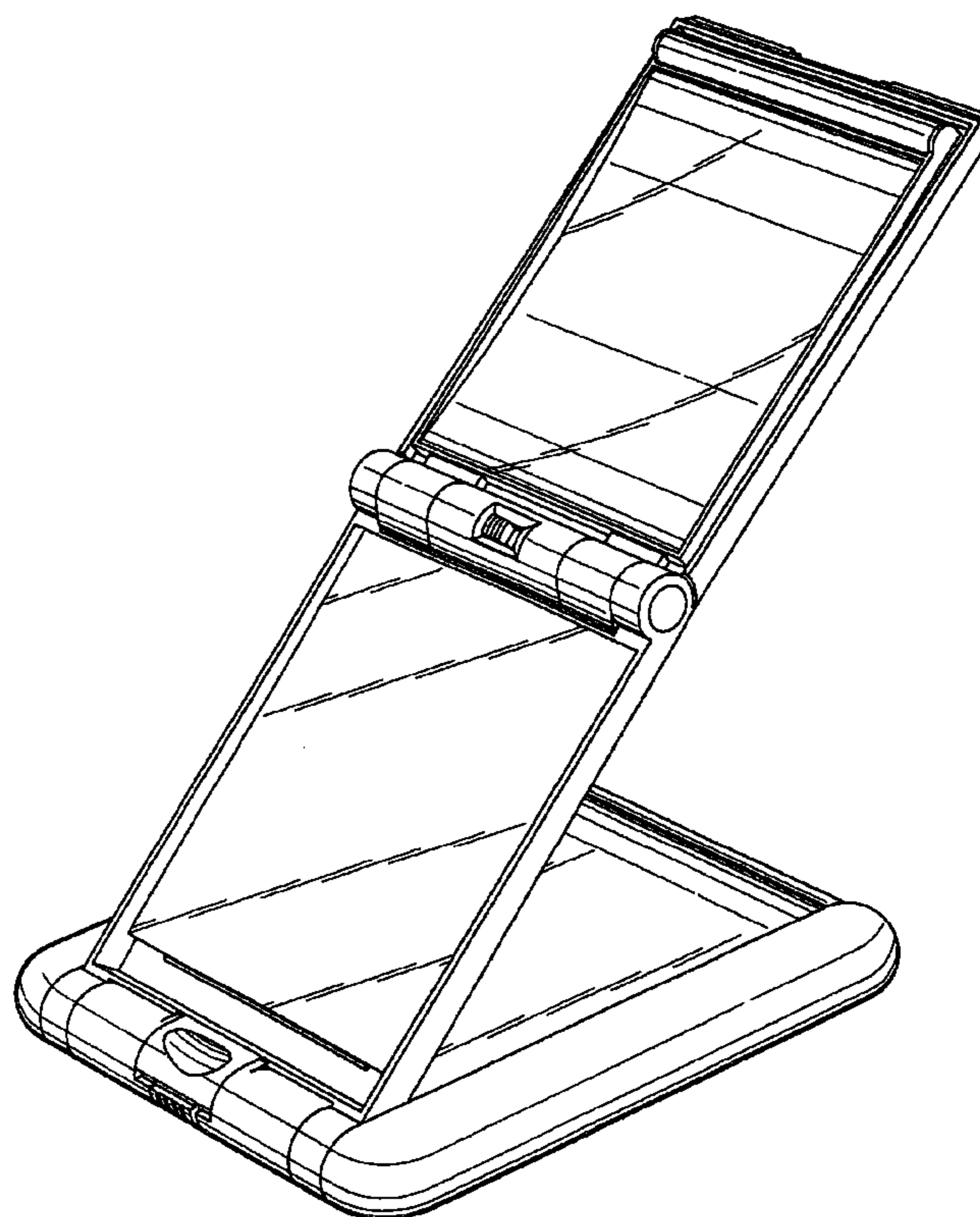
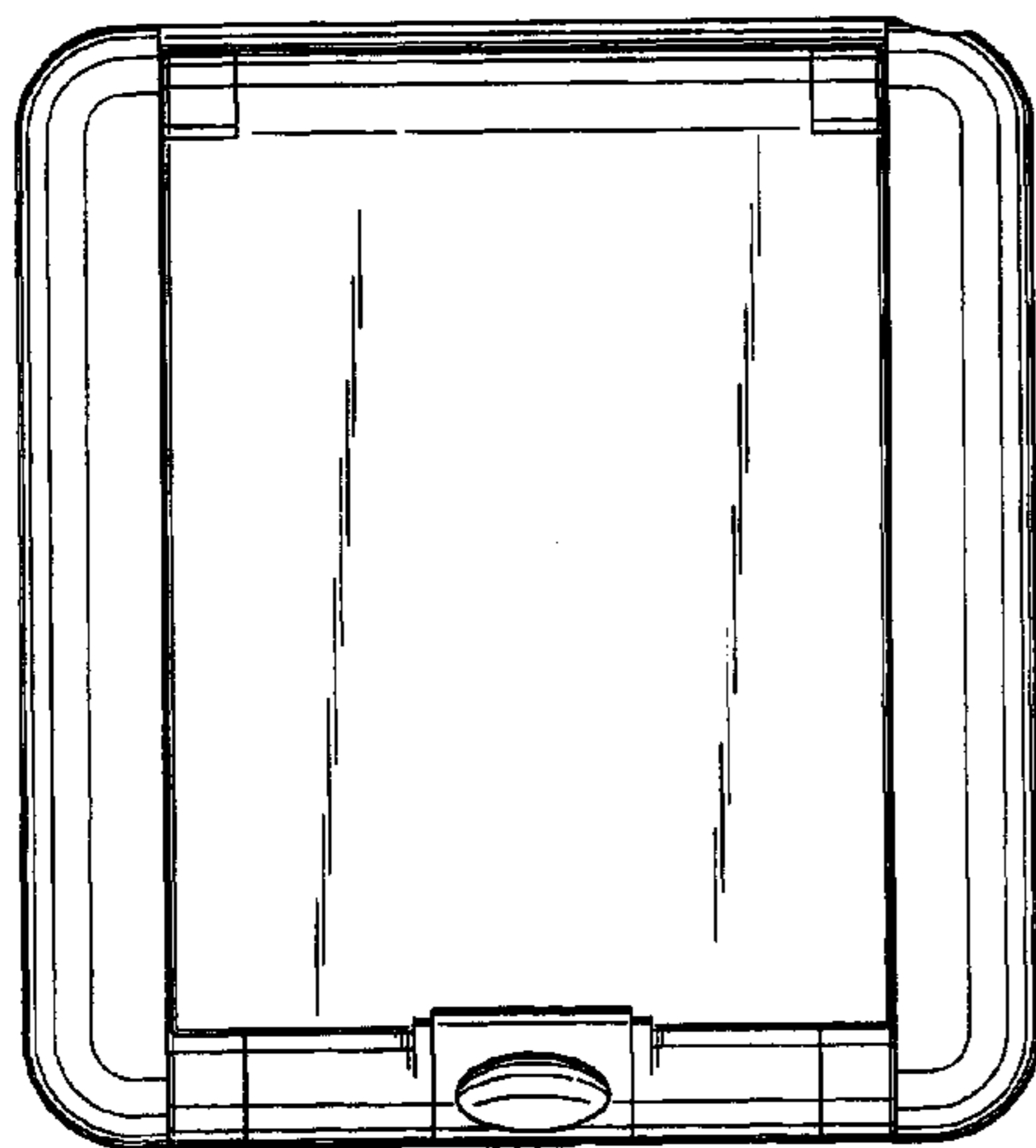
FIG. 5 is a rear elevational view thereof;

FIG. 6 is a left side elevational view thereof;

FIG. 7 is a bottom plan view thereof; and,

FIG. 8 is a perspective view in open position thereof.

1 Claim, 4 Drawing Sheets



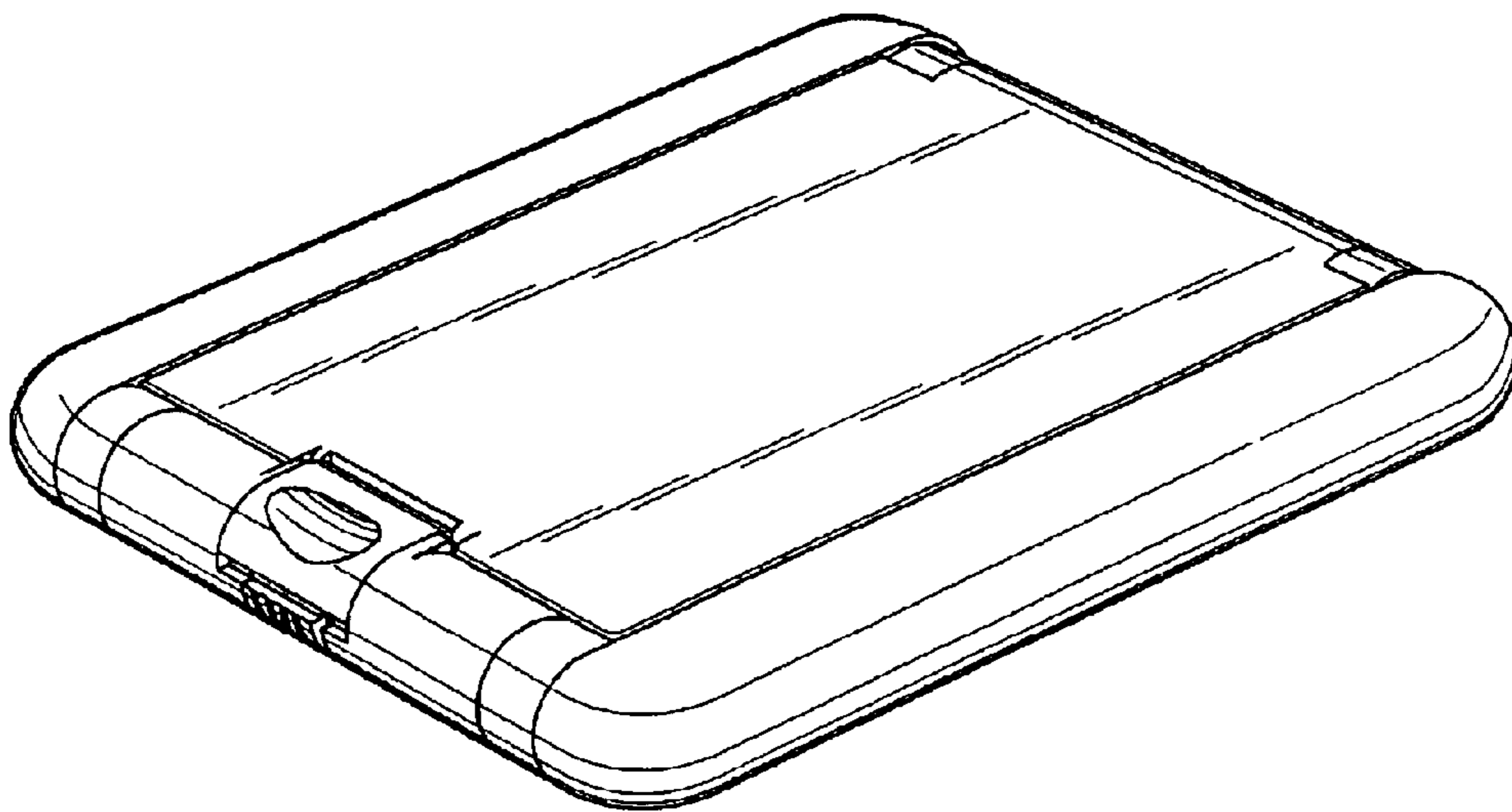


FIG. 1

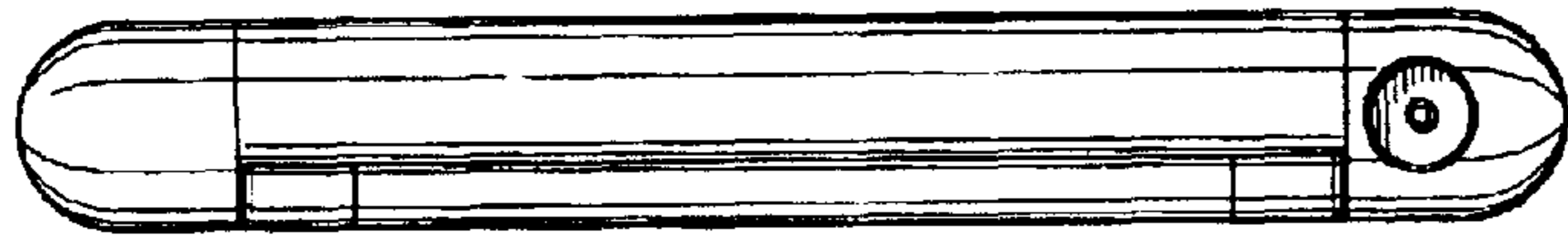


FIG. 4

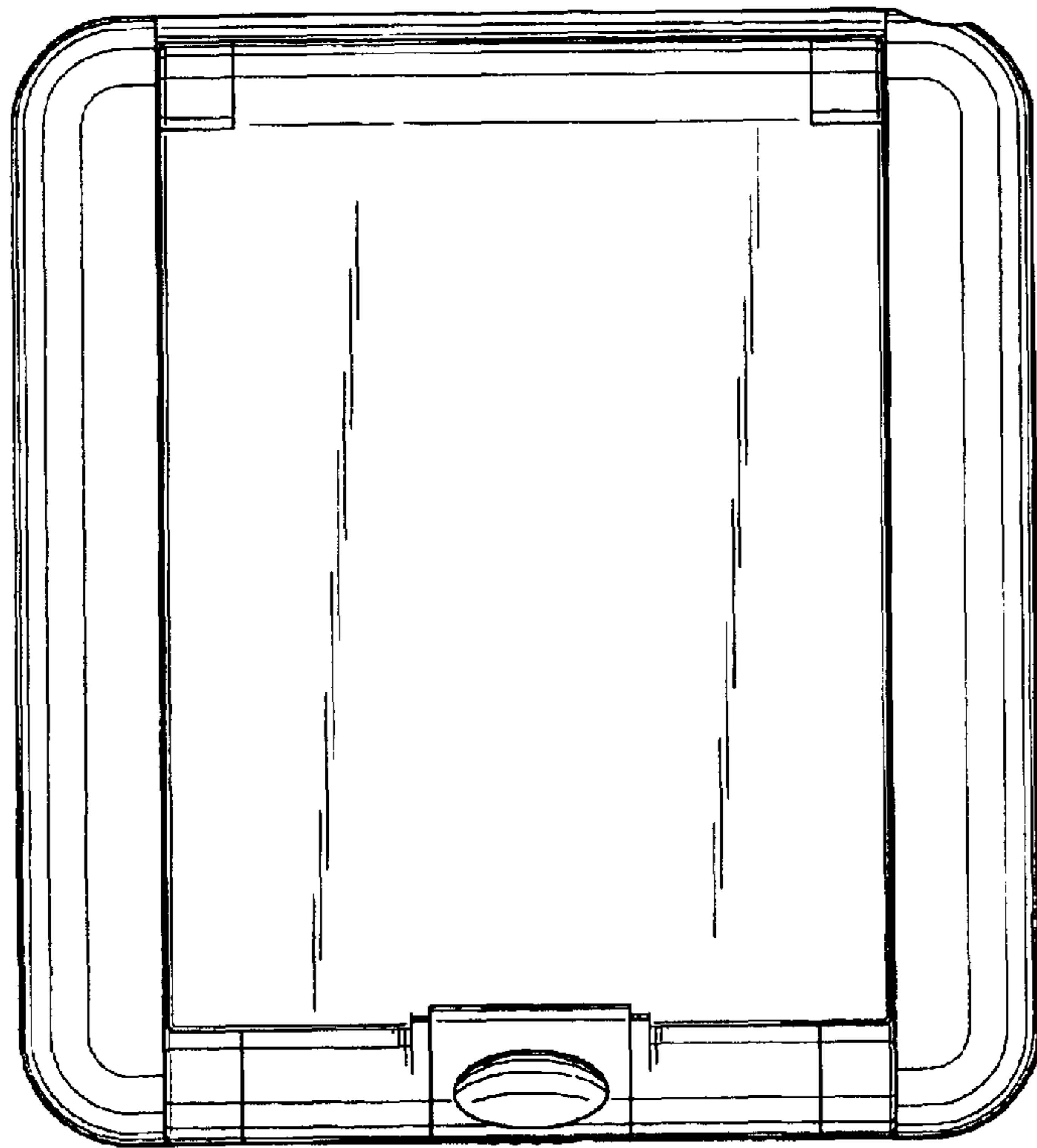


FIG. 2



FIG. 3



FIG. 6

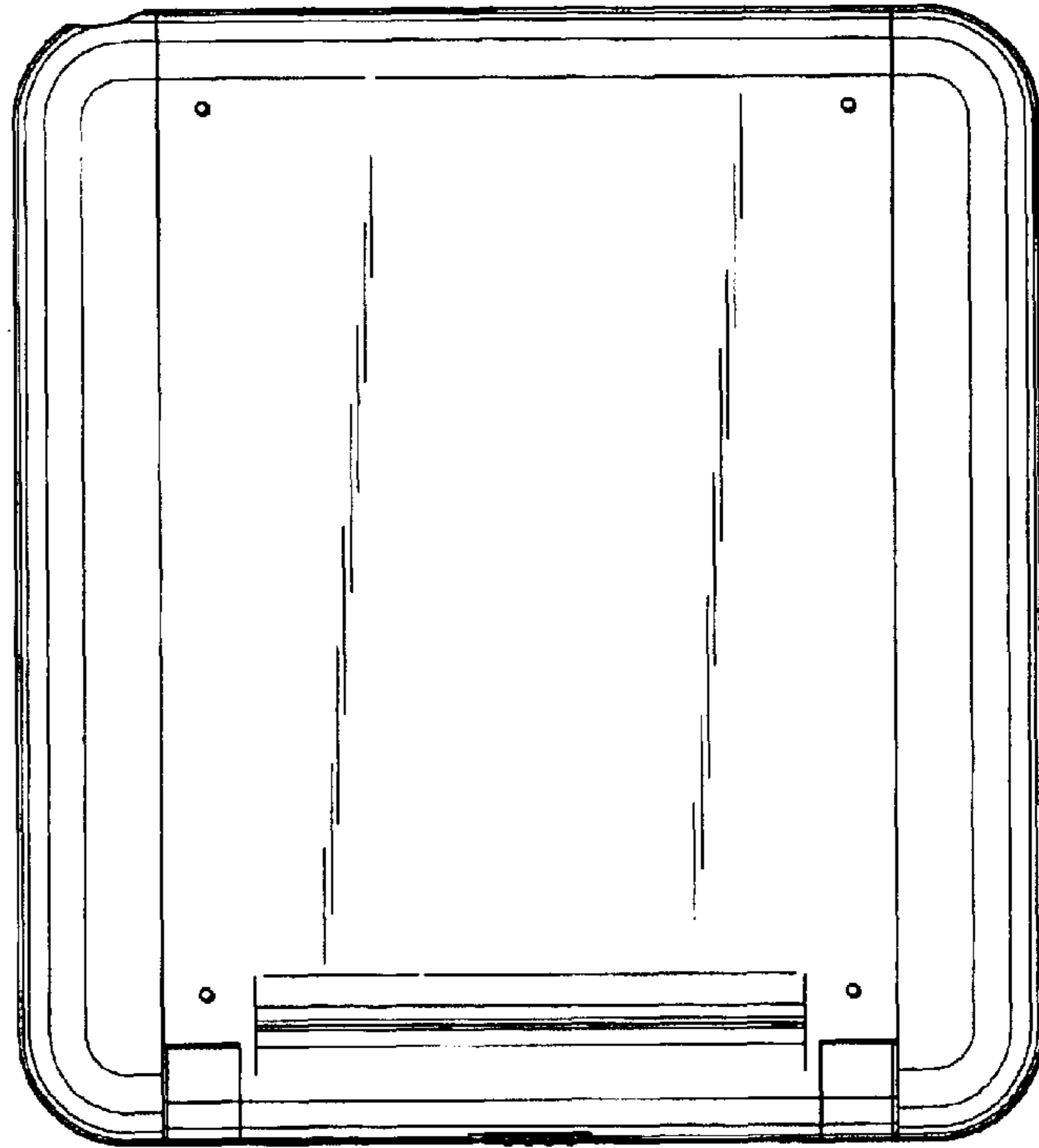


FIG. 5



FIG. 7

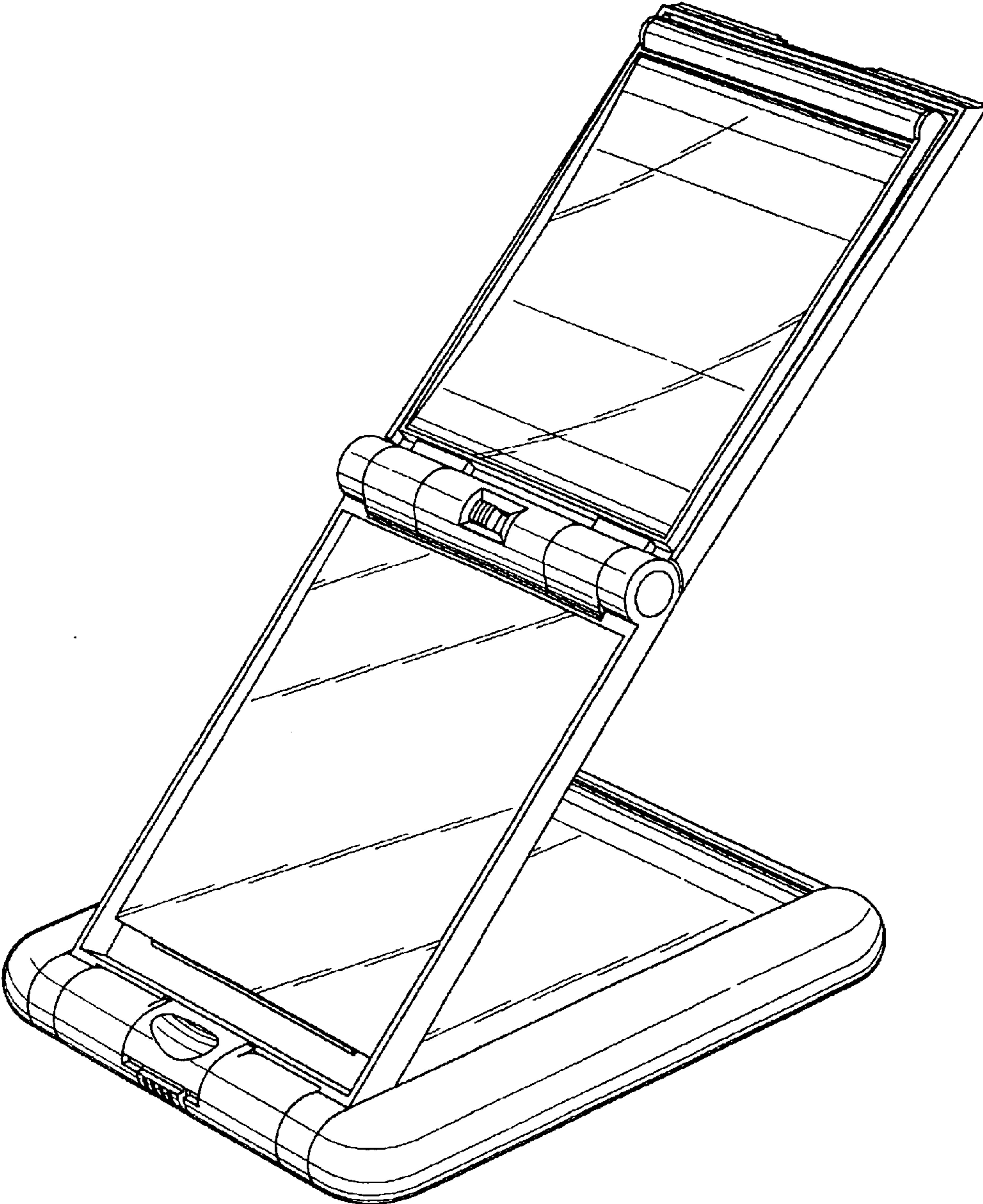


FIG. 8