

US00D506314S

(12) **United States Design Patent**
Roberts

(10) **Patent No.:** **US D506,314 S**
(45) **Date of Patent:** **** Jun. 21, 2005**

(54) **BACKPACK FACE**

(76) **Inventor:** **Brian Roberts**, 550 Hopewell Avenue,
Toronto Ontario (CA), M6E 2S6

(**) **Term:** **14 Years**

(21) **Appl. No.:** **29/186,602**

(22) **Filed:** **Jul. 21, 2003**

(51) **LOC (8) Cl.** **03-99**

(52) **U.S. Cl.** **D3/321**

(58) **Field of Search** D3/321, 216, 217,
D3/221, 201, 254, 233, 267; 150/104, 107,
108; 224/153, 636, 578, 457, 651

(56) **References Cited**

U.S. PATENT DOCUMENTS

| | | | |
|-------------------|---------|----------------------|---------|
| 5,894,977 A * | 4/1999 | Krueger et al. | 224/627 |
| D426,951 S * | 6/2000 | Rohrbach et al. | D3/217 |
| D460,614 S * | 7/2002 | Reimers et al. | D3/217 |
| 2001/0025867 A1 * | 10/2001 | Chuang | 224/627 |
| 2002/0145018 A1 * | 10/2002 | Godshaw et al. | 224/153 |

* cited by examiner

Primary Examiner—Antoine Duval Davis

Assistant Examiner—Sandra Snapp

(74) *Attorney, Agent, or Firm*—Bereskin & Parr

(57) **CLAIM**

The ornamental design for a backpack face, as shown and described.

DESCRIPTION

FIG. 1 is a perspective view from the front and left side of the design;

FIG. 2 is a perspective view from the front and right side of the design;

FIG. 3 is a left side elevation view thereof;

FIG. 4 is a front elevation view thereof;

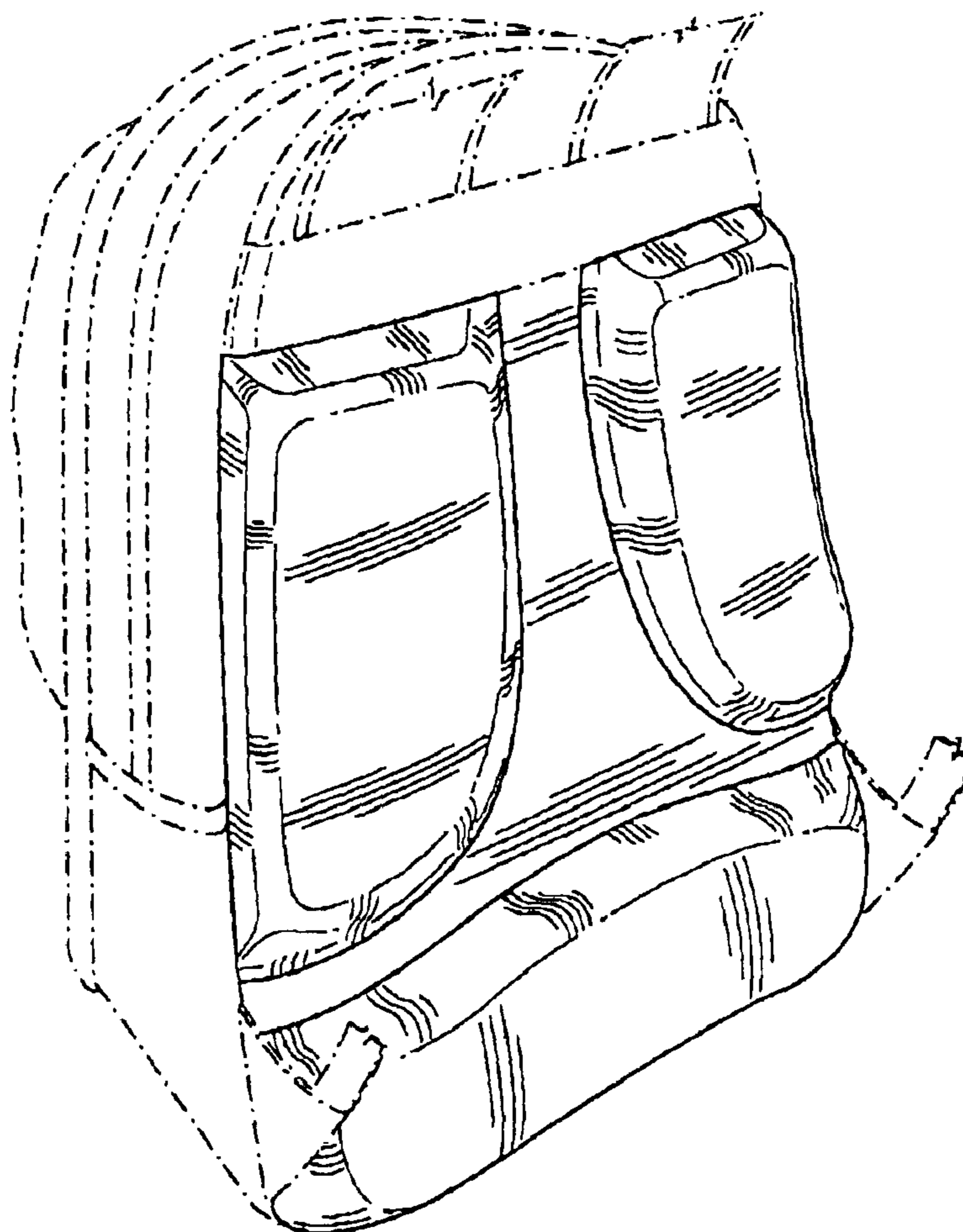
FIG. 5 is a right side elevation view thereof;

FIG. 6 is a top plan view thereof; and,

FIG. 7 is a bottom plan view thereof.

The portions of the figures shown in broken lines are for environment purposes only and are not part of the design.

1 Claim, 4 Drawing Sheets



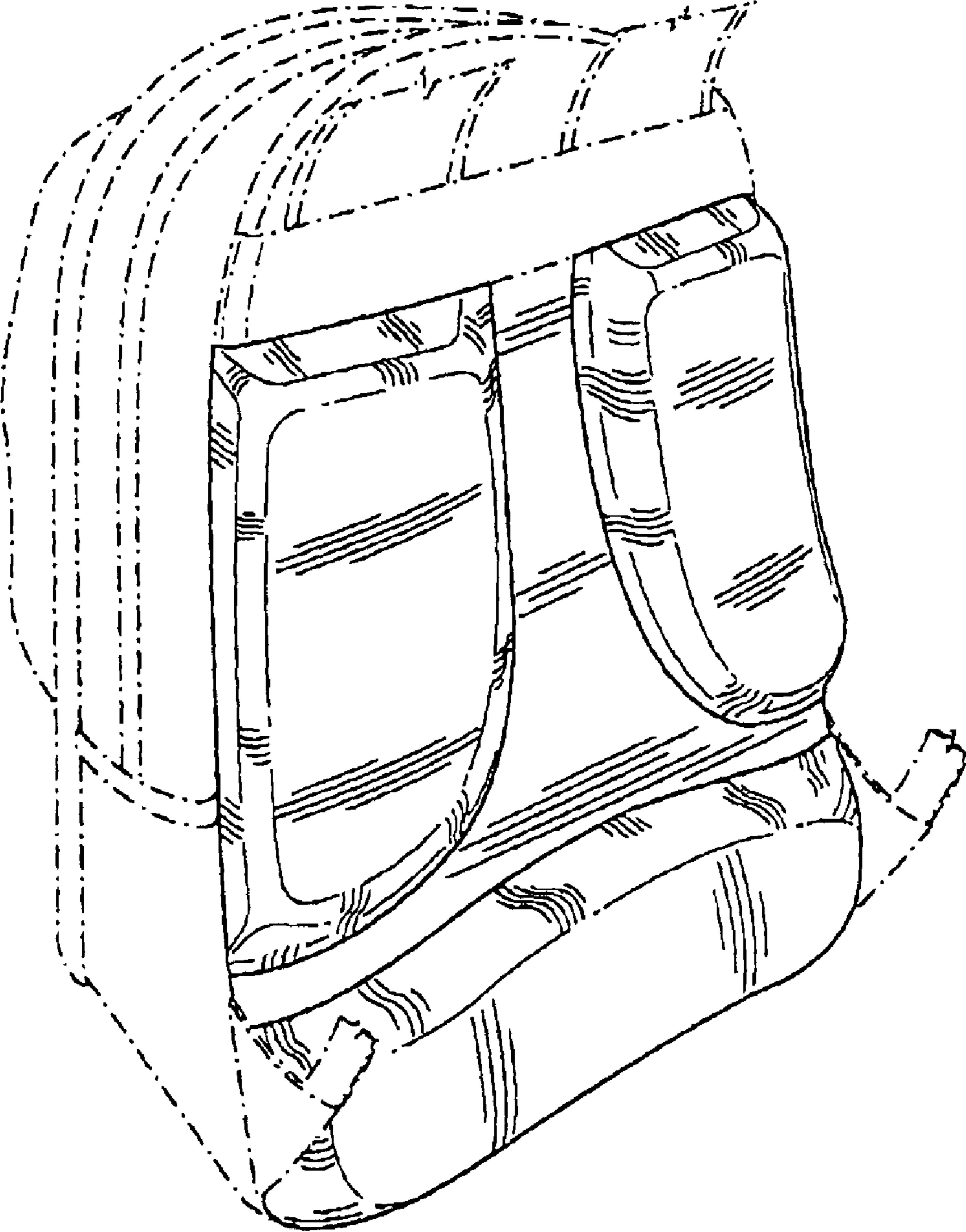


FIG. 1

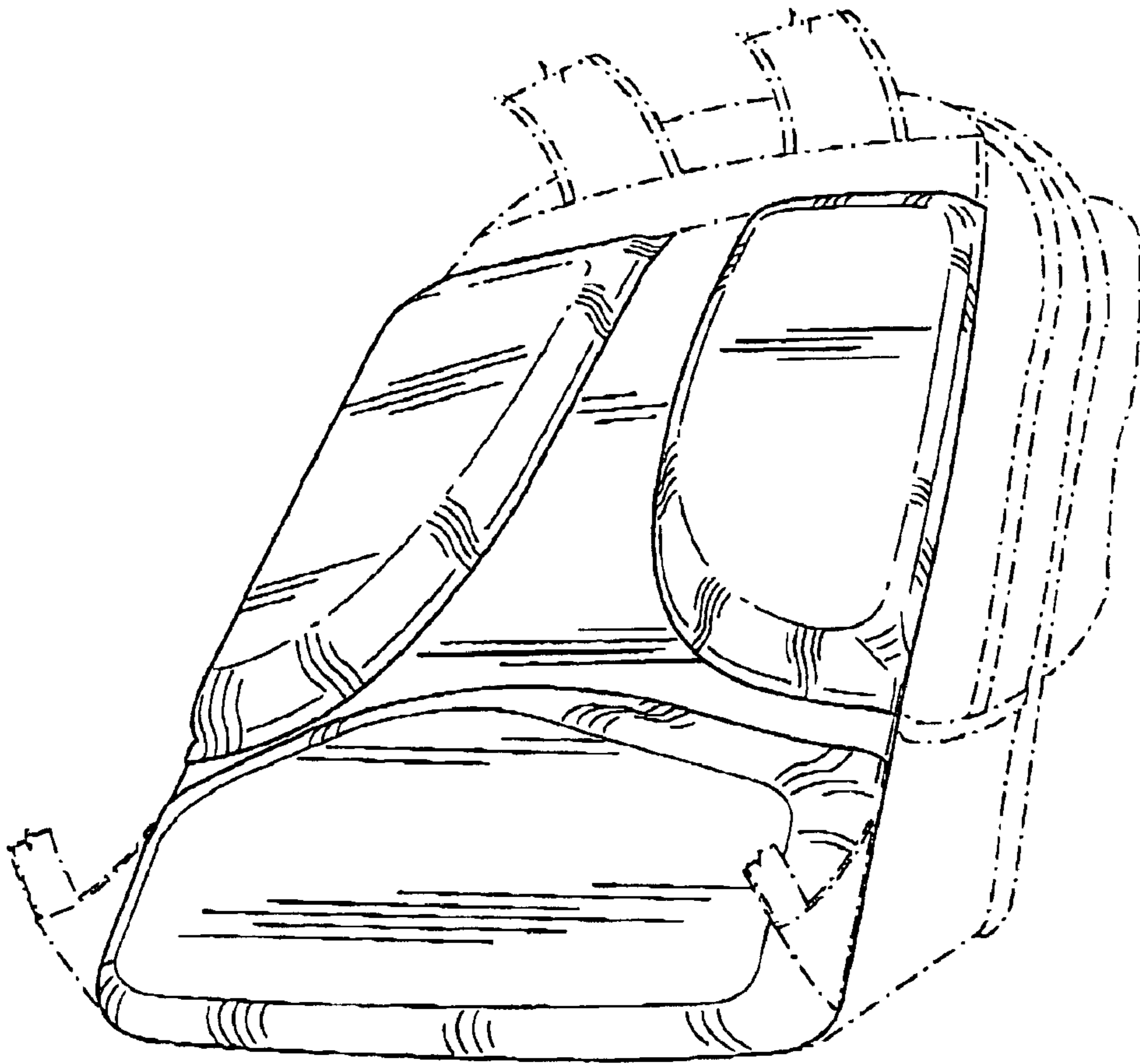


FIG. 2

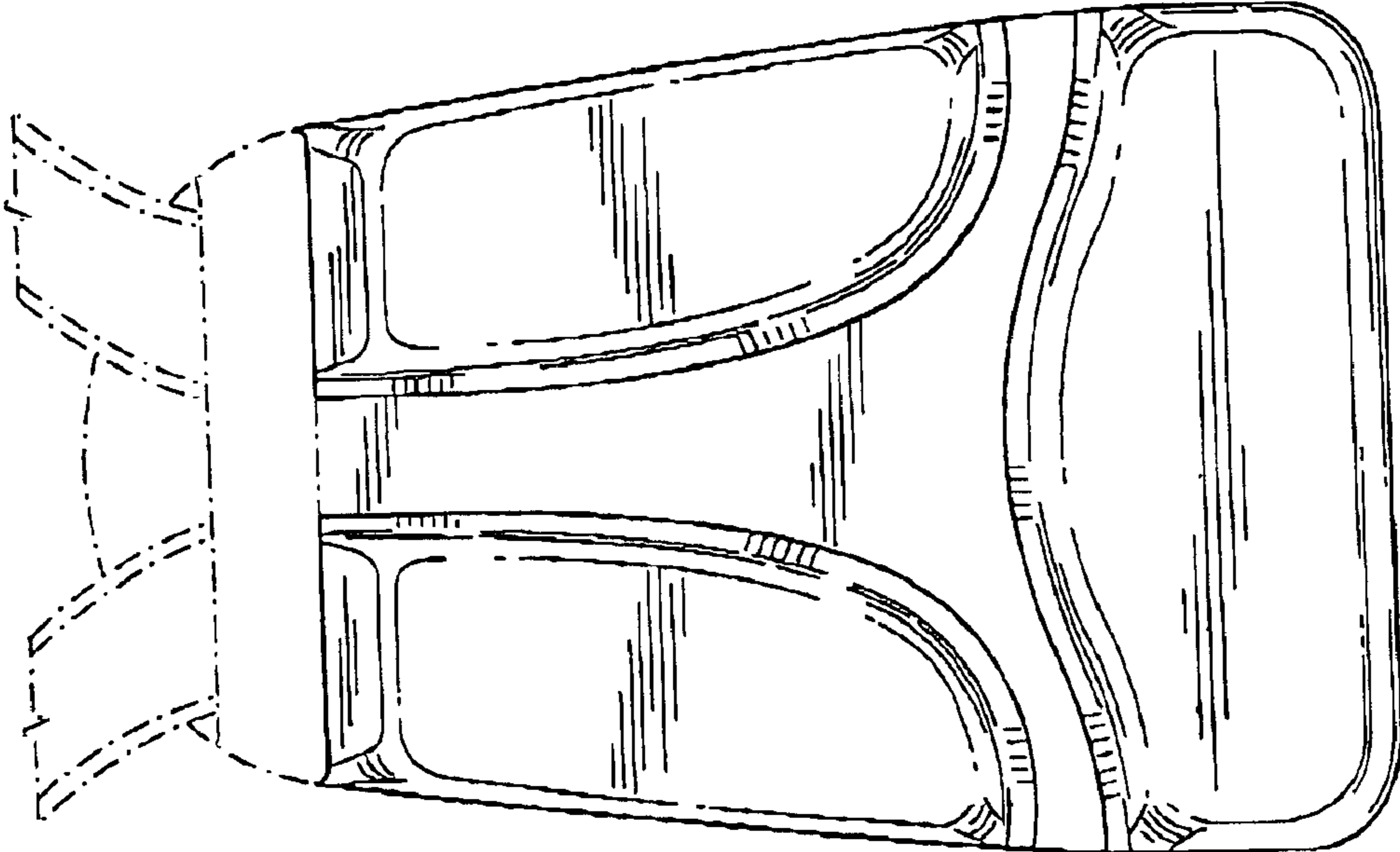


FIG. 4

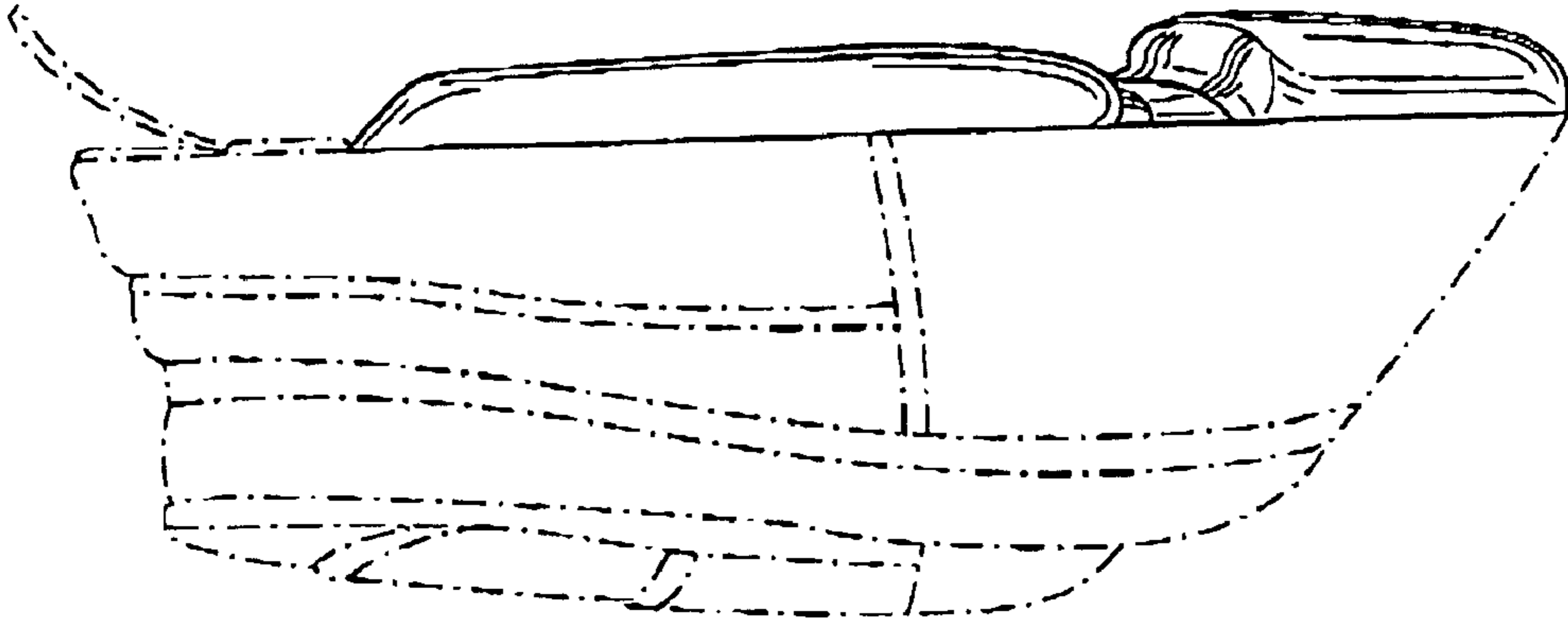


FIG. 3

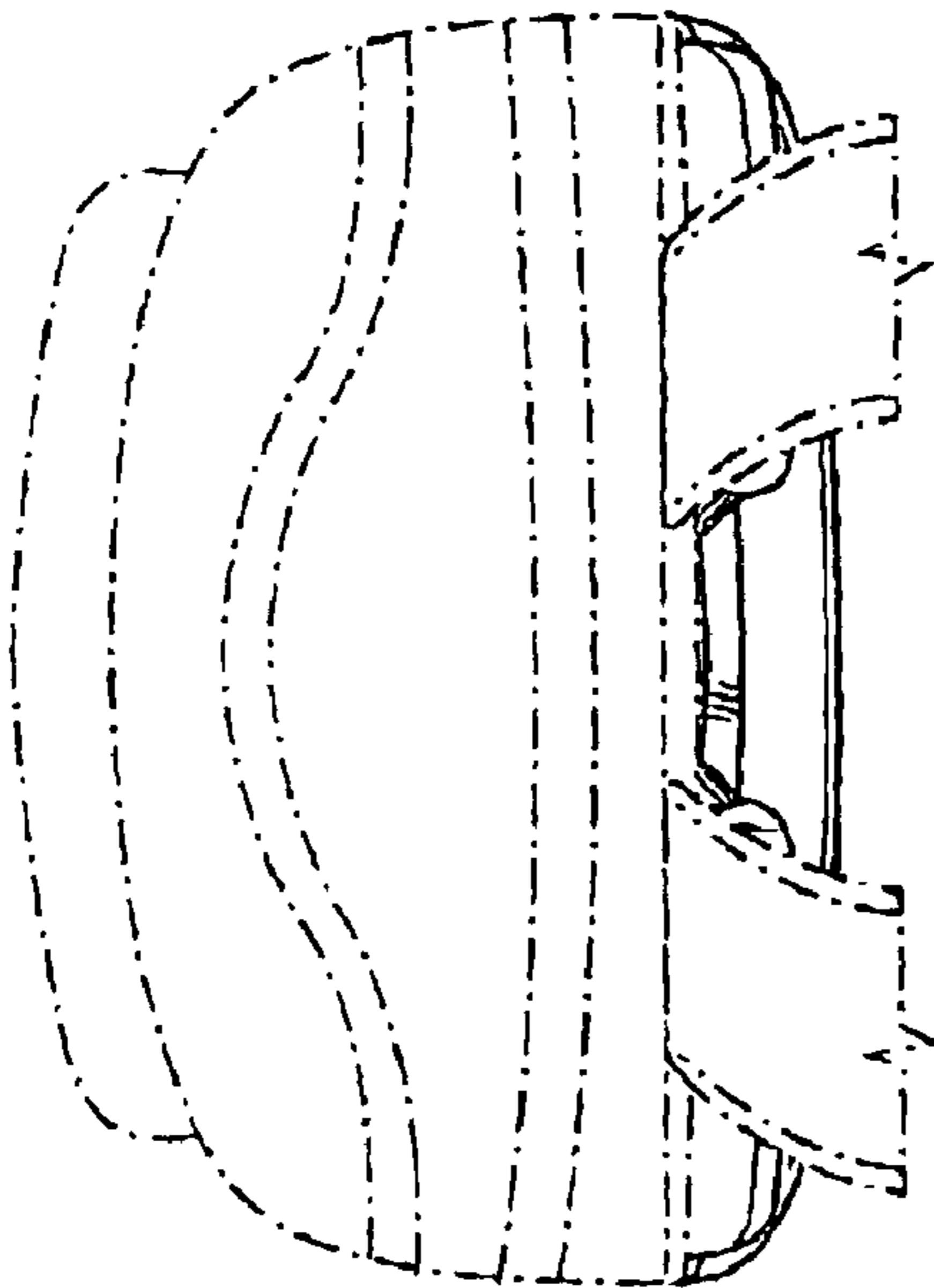


FIG. 6

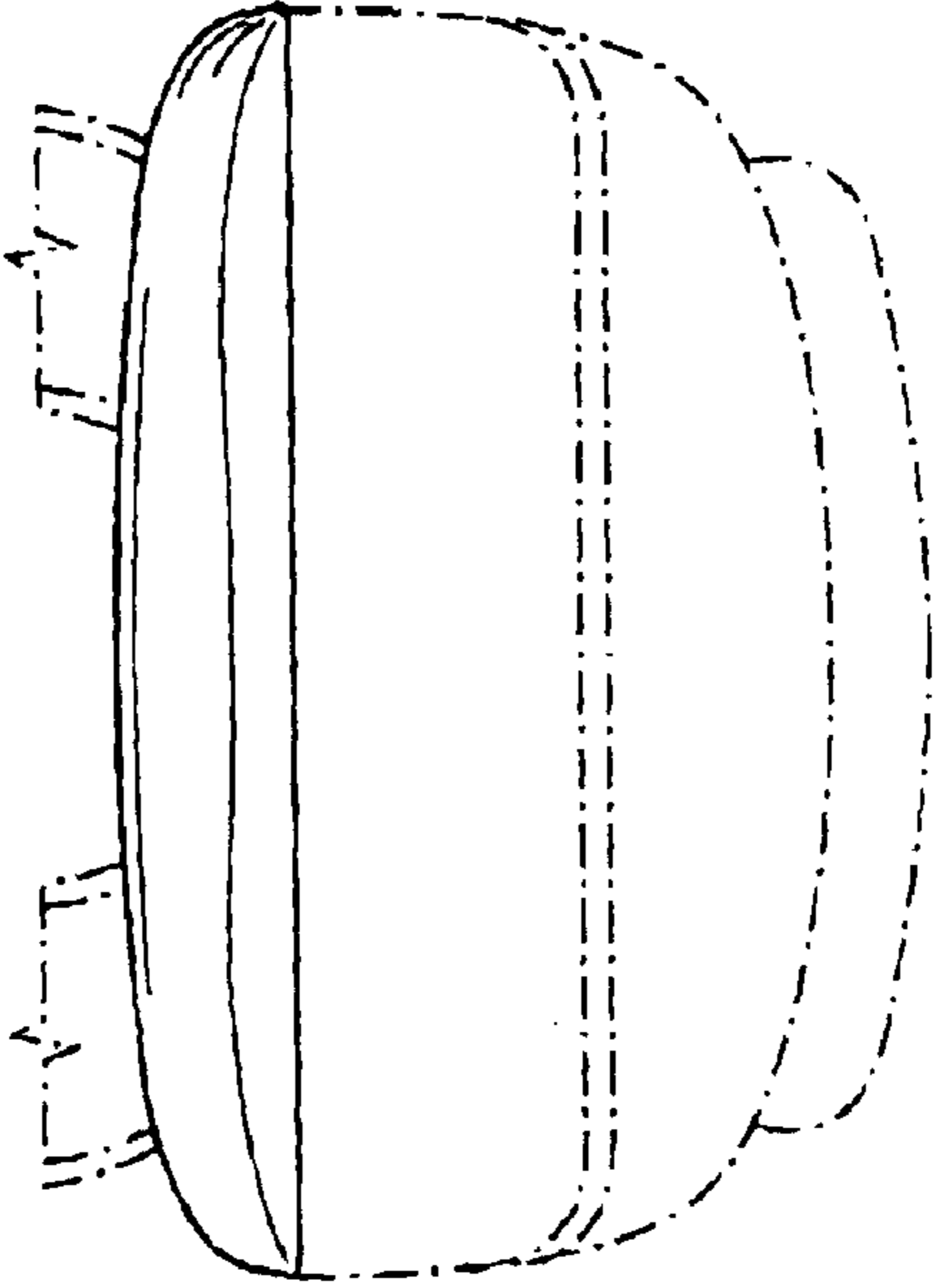


FIG. 7

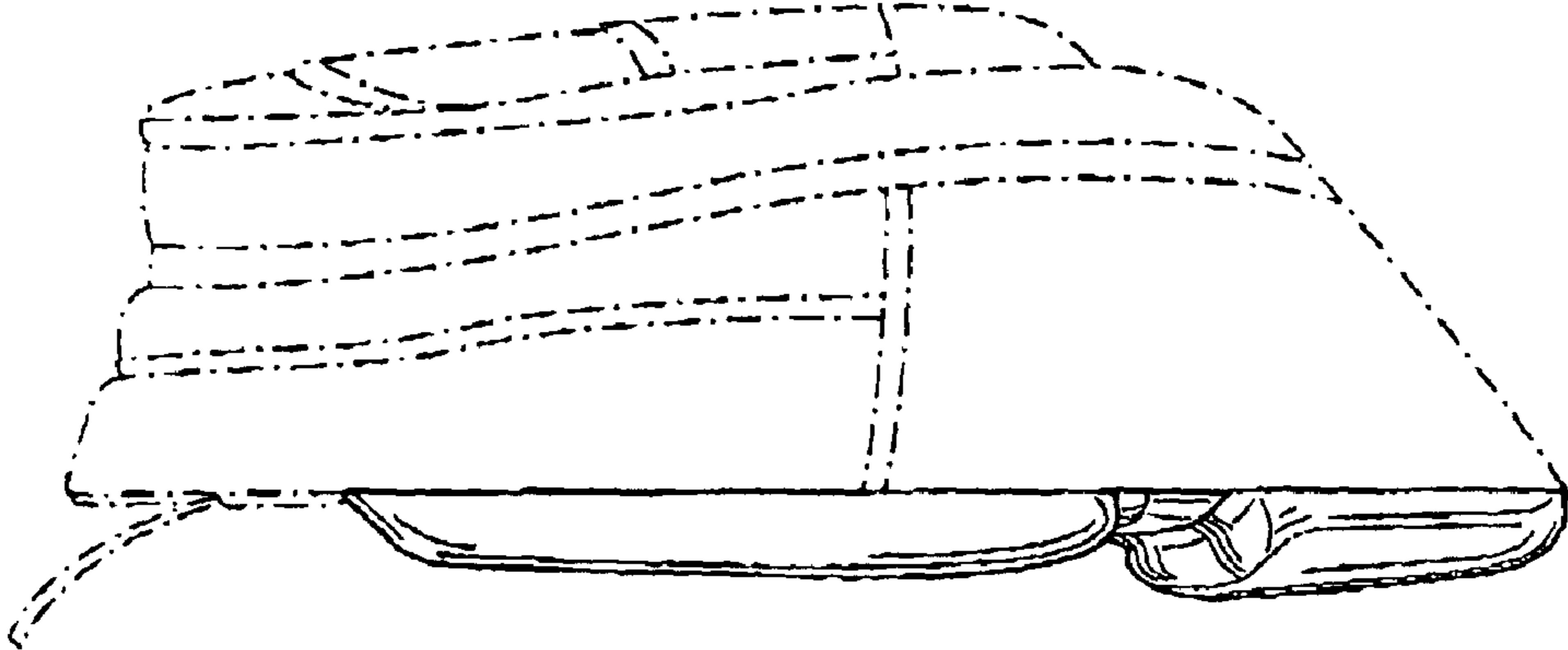


FIG. 5