

US00D506313S

(12) **United States Design Patent**  
**Neumann**

(10) **Patent No.:** **US D506,313 S**  
(45) **Date of Patent:** **\*\* Jun. 21, 2005**

(54) **RECESSED SUITCASE COMPONENT FOR RECEIVING A HANDLE**

D417,134 S \* 11/1999 Workman ..... D3/318  
D440,046 S \* 4/2001 Kuo ..... D3/318  
D441,636 S \* 5/2001 Wang ..... D3/318  
D447,929 S \* 9/2001 Chang ..... D3/318

(75) Inventor: **Steffen Neumann**, Kirn (DE)

\* cited by examiner

(73) Assignee: **Müller & Meirer Lederwarenfabrik GmbH** (DE)

*Primary Examiner*—Catherine R. Oliver  
*Assistant Examiner*—Monica A. Weingart

(\*\*) Term: **14 Years**

(74) *Attorney, Agent, or Firm*—Robert W. Becker & Associates; Robert W. Becker

(21) Appl. No.: **29/213,712**

(22) Filed: **Sep. 22, 2004**

(57) **CLAIM**

(30) **Foreign Application Priority Data**

The ornamental design for a recessed suitcase component for receiving a handle, as shown and described.

Mar. 23, 2004 (DE) ..... 000 15 254.1

**DESCRIPTION**

(51) **LOC (8) Cl.** ..... **03-01**

FIG. 1 is a perspective view showing one embodiment of my recessed suitcase component for receiving a handle;

(52) **U.S. Cl.** ..... **D3/318**

FIG. 2 is a front view thereof;

(58) **Field of Search** ..... D3/279, 282, 318, D3/328, 324; D8/302, 306, 316, 317, 319, 320; D34/24, 26; 190/18 A, 39, 102, 103, 111, 115; 280/37, 47.26, 655, 655.1; 16/110.1, 113.1, 114.1, 405, 406, 408, 445, 421, 422, 429, 430, 431

FIG. 3 is a rear view thereof;

FIG. 4 is a right side view thereof;

FIG. 5 is a left side view thereof;

FIG. 6 is a top view thereof; and,

FIG. 7 is a bottom view thereof.

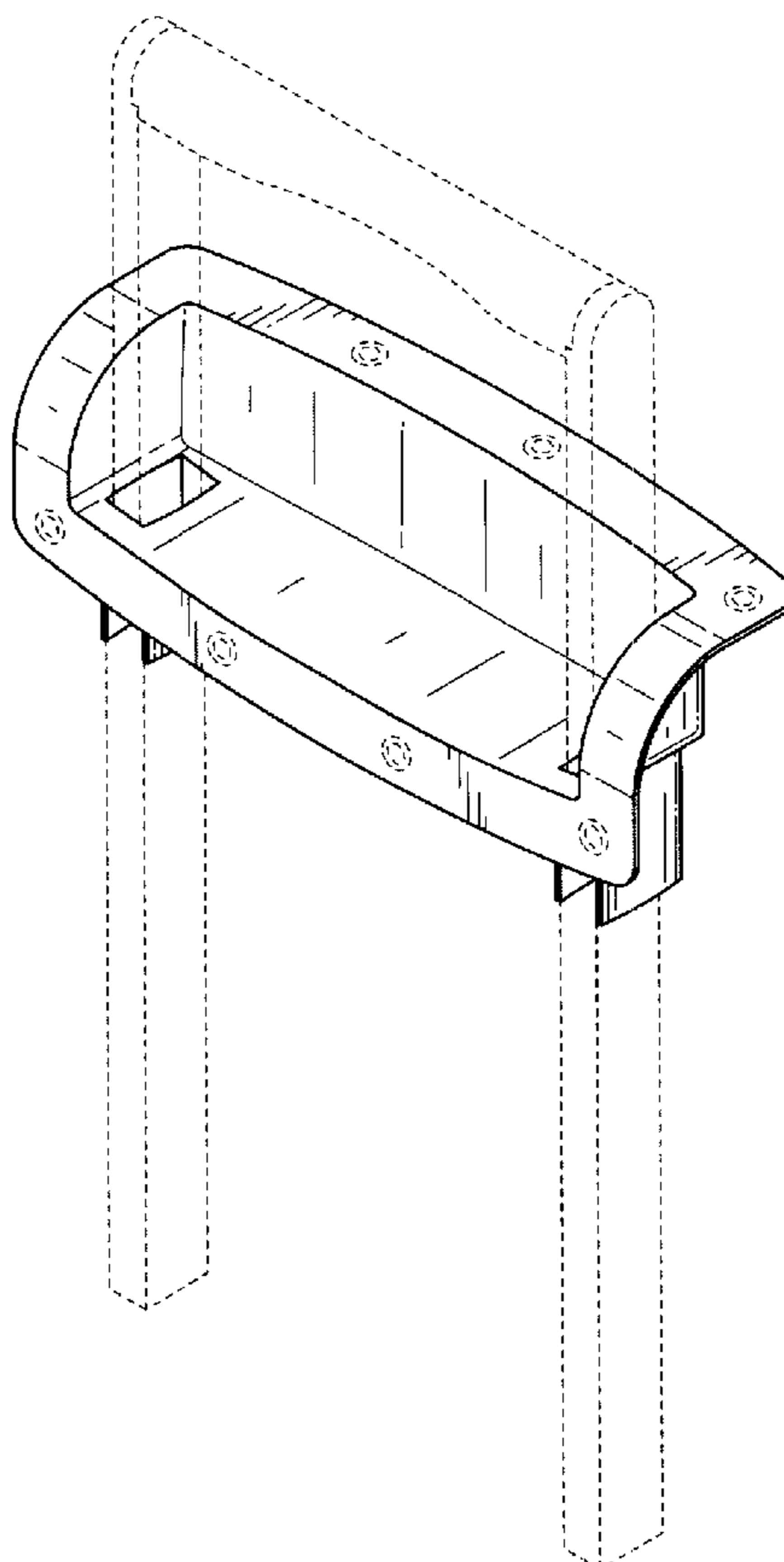
(56) **References Cited**

The broken line showing of a handle, in FIG. 1, is for illustrative purposes only and forms no part of the claimed design.

**U.S. PATENT DOCUMENTS**

D281,665 S \* 12/1985 Weinerman et al. .... D8/302  
D392,099 S \* 3/1998 Wang ..... D3/318

**1 Claim, 4 Drawing Sheets**



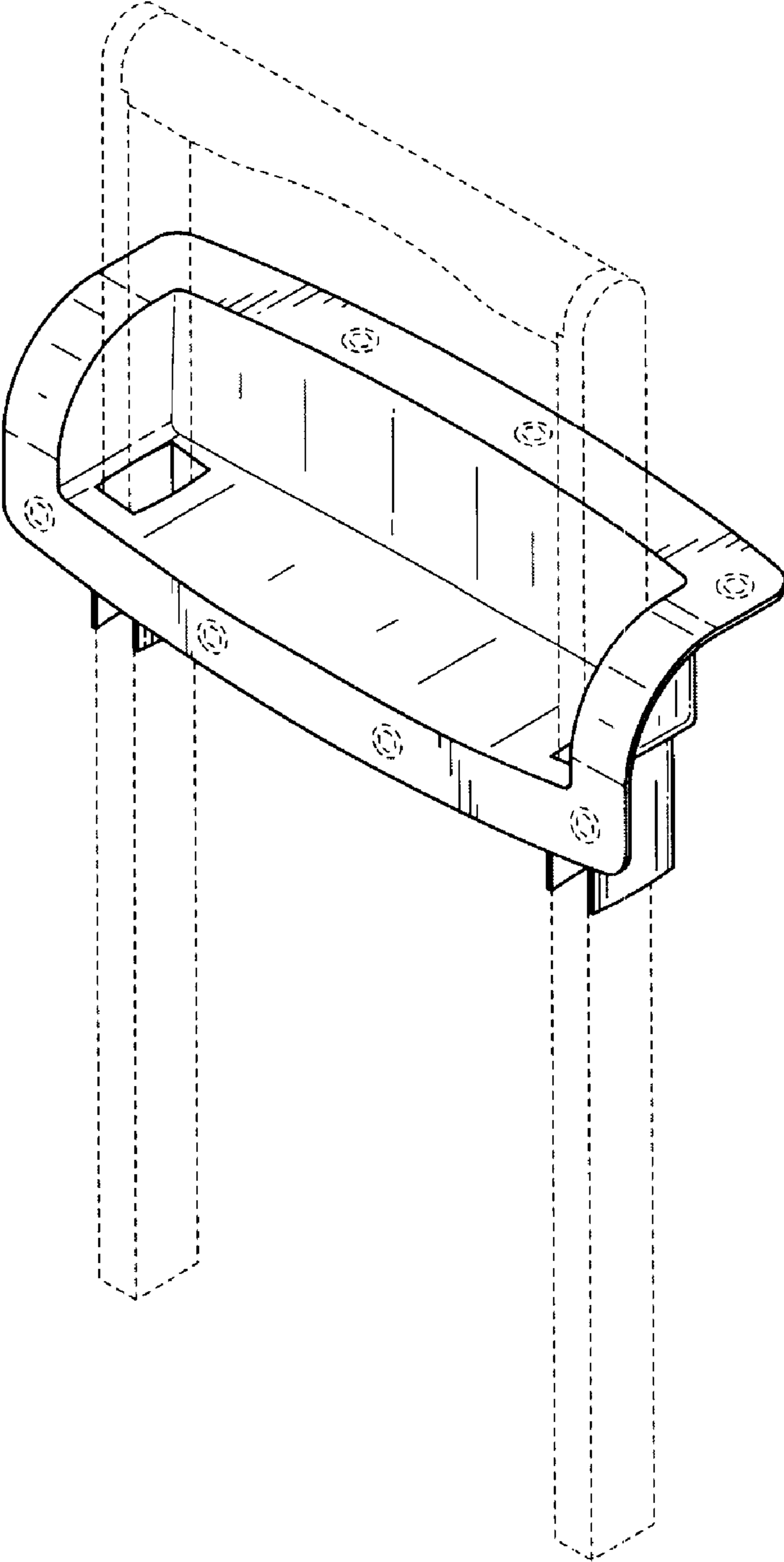


FIG.1

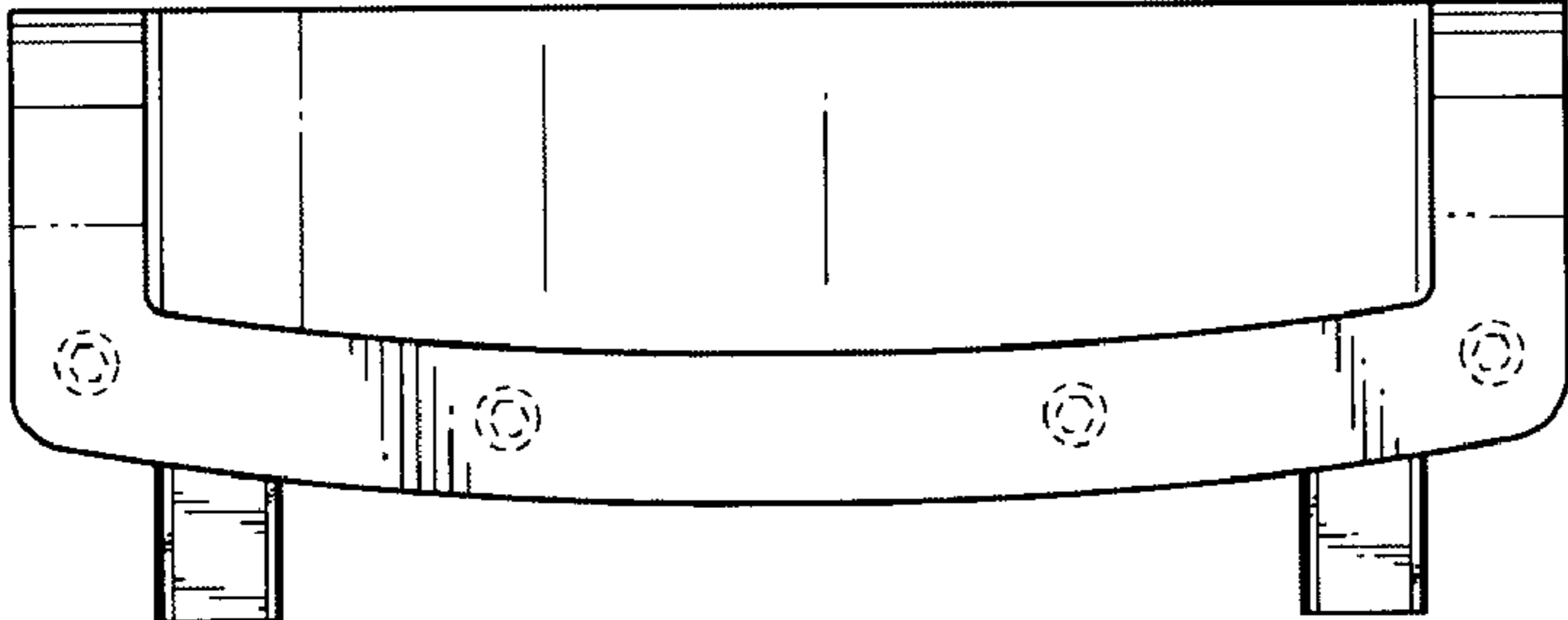


FIG.2

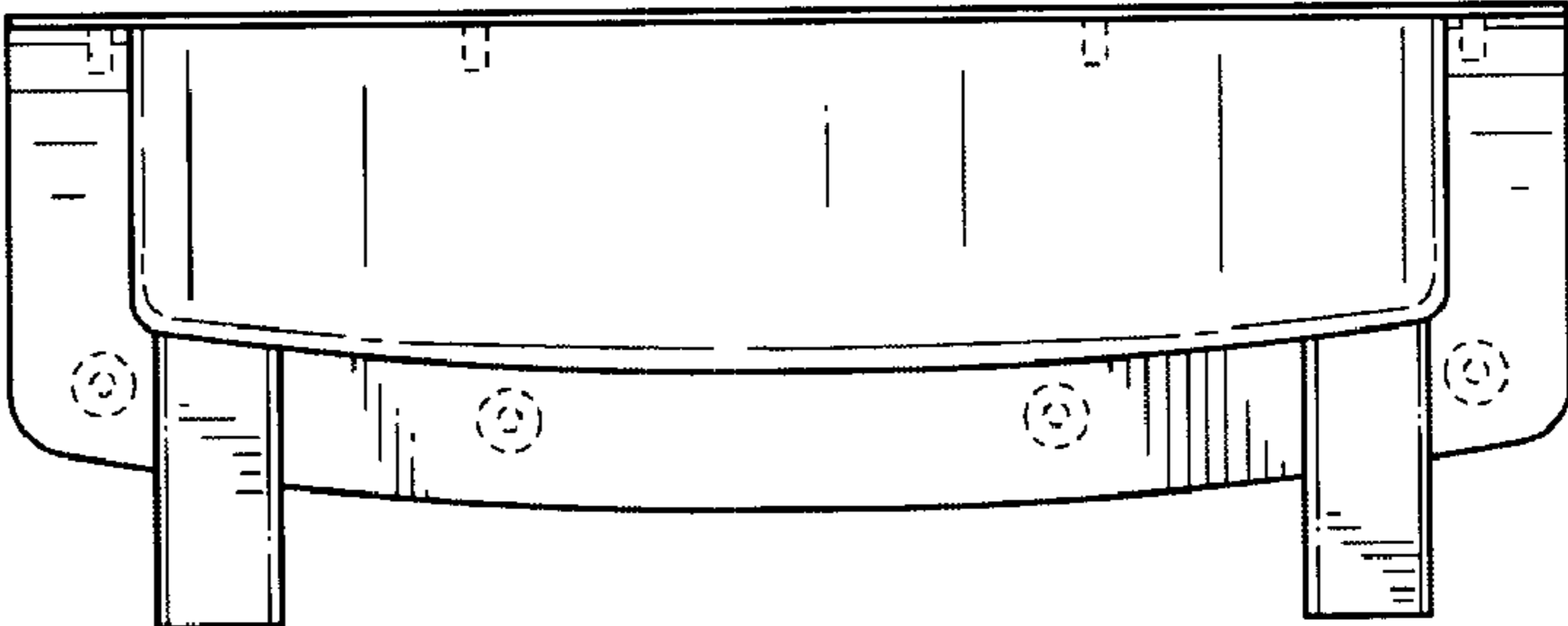


FIG.3

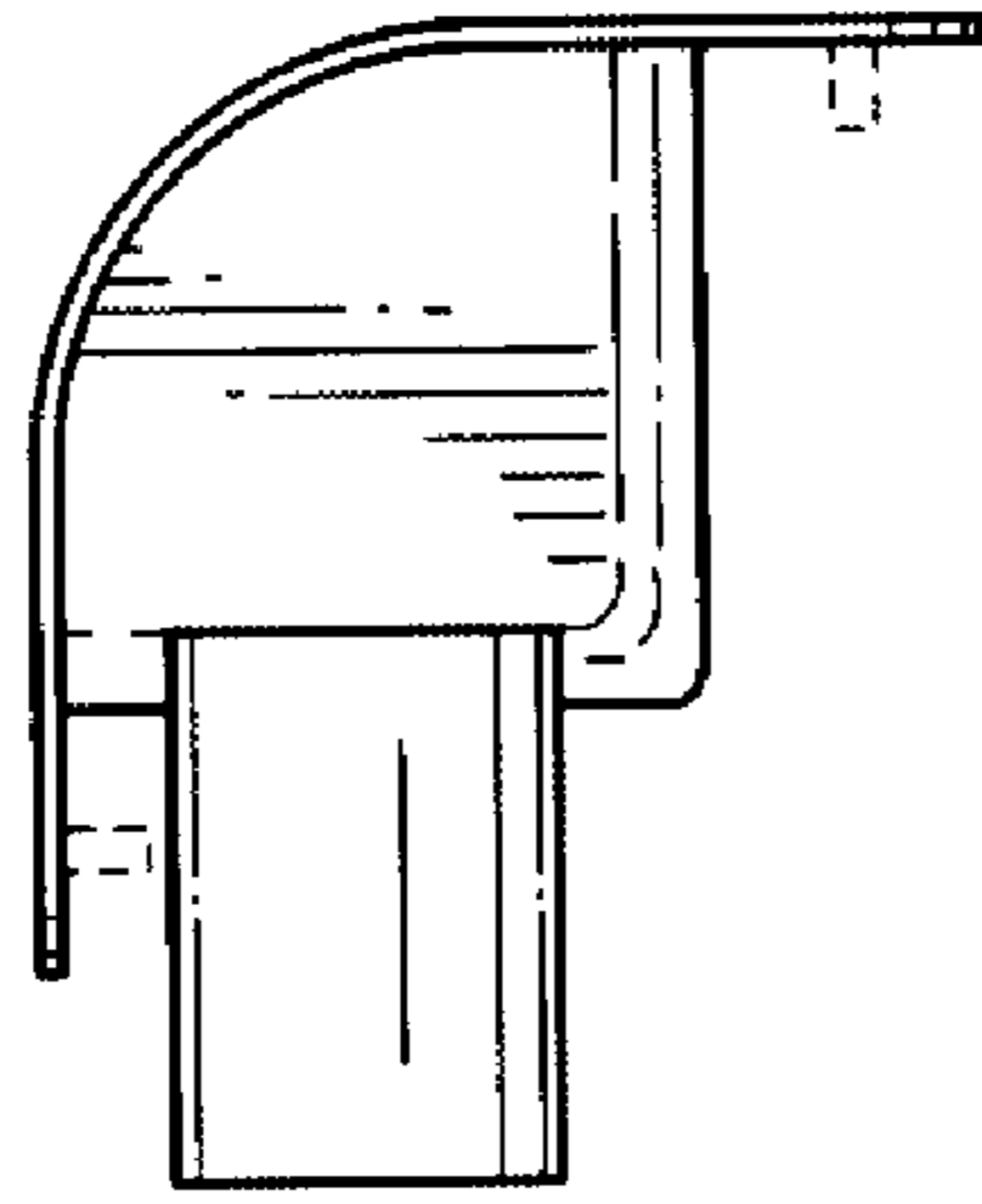


FIG. 4

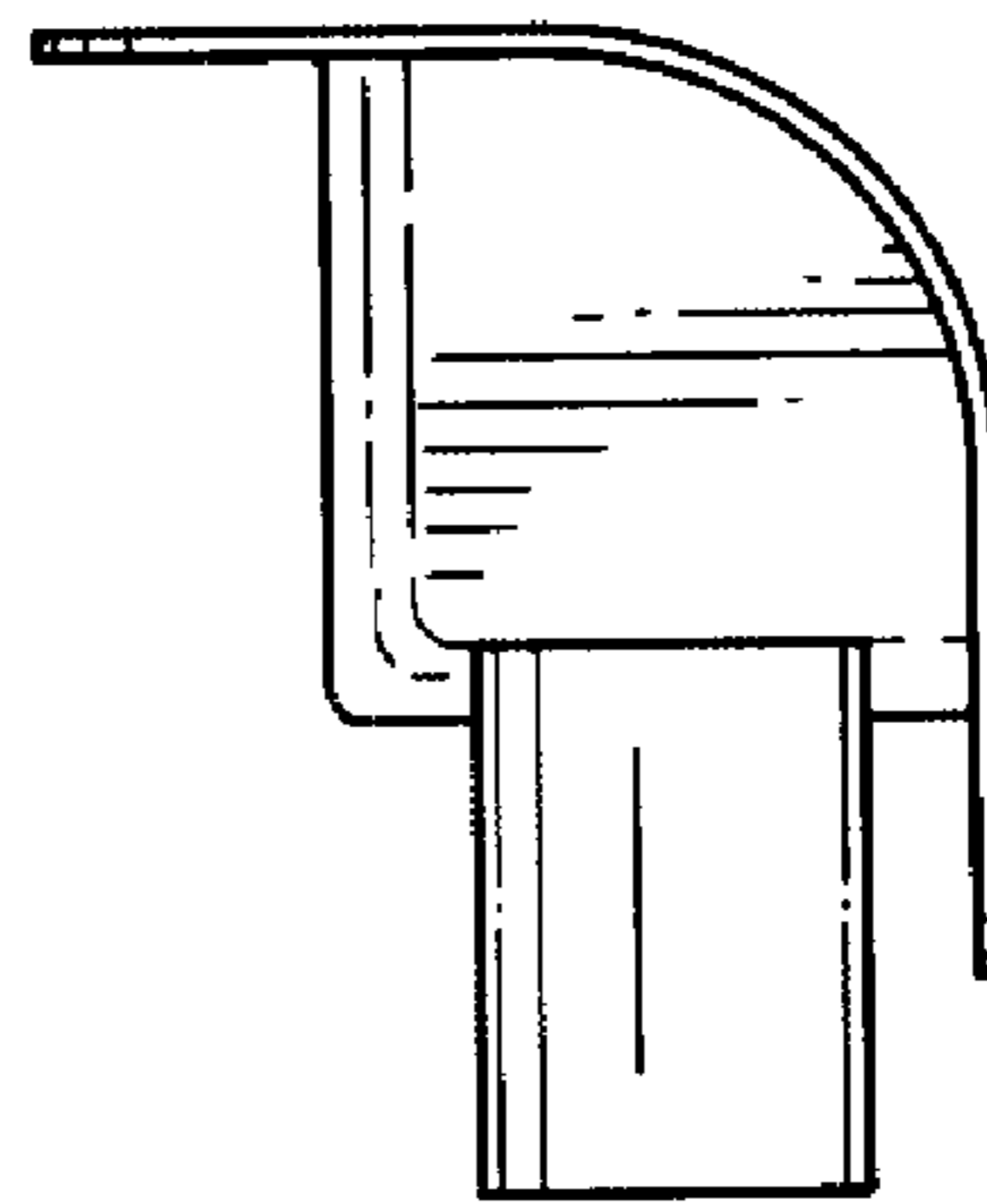


FIG. 5

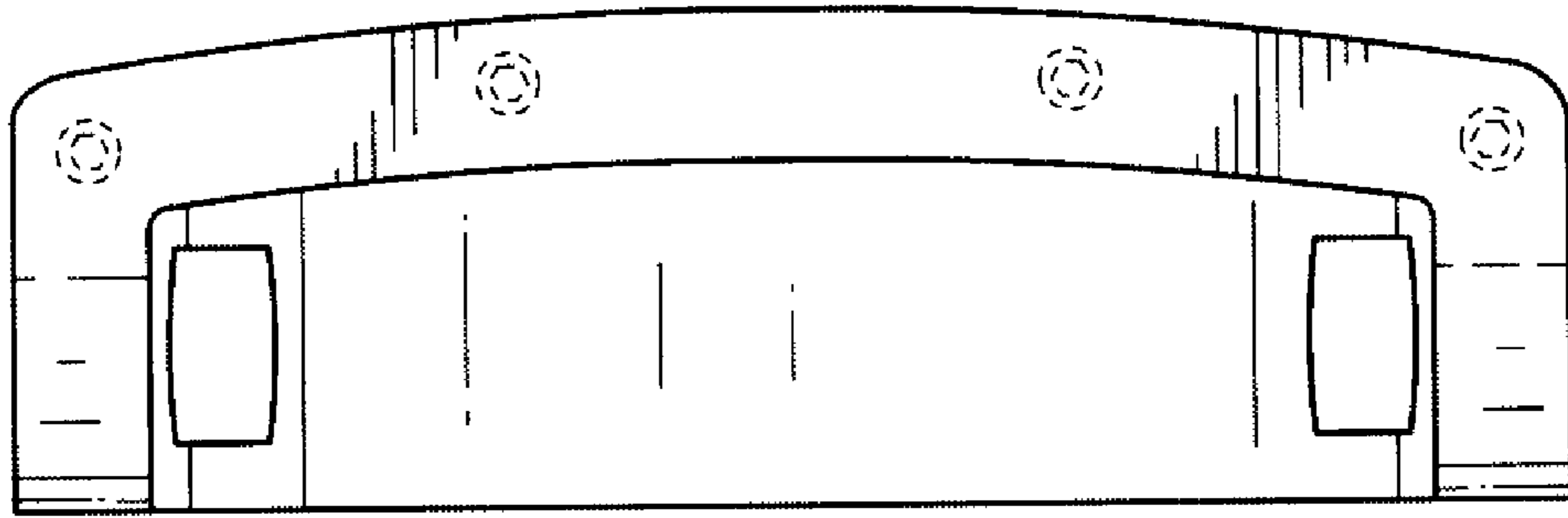


FIG. 6

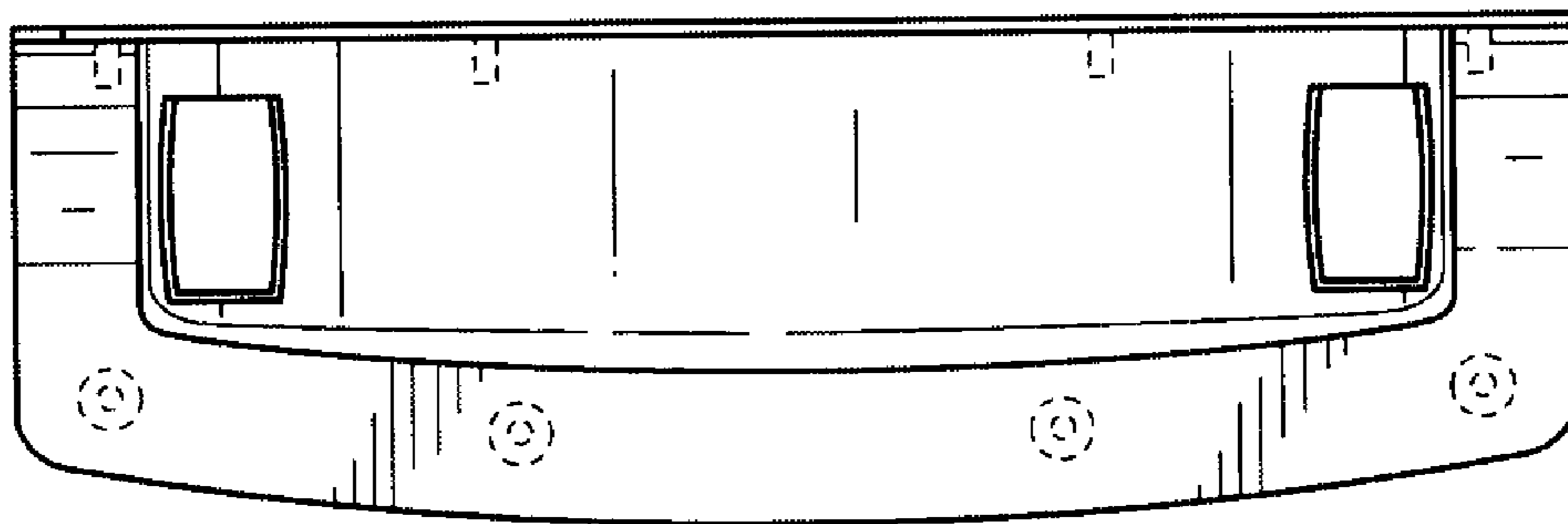


FIG. 7