

US00D506312S

(12) **United States Design Patent**
Moon et al.

(10) **Patent No.: US D506,312 S**
(45) **Date of Patent: ** Jun. 21, 2005**

(54) **CD BIN**

D236,389 S * 8/1975 Baker D3/312
D495,490 S * 9/2004 Garrett et al. D3/304

(75) Inventors: **Brian Moon**, DeKalb, IL (US);
Torrence Anderson, Overland Park, KS
(US)

* cited by examiner

(73) Assignee: **Suncast Corporation**, Batavia, IL (US)

Primary Examiner—Louis S. Zarfaz
Assistant Examiner—John Windmuller
(74) *Attorney, Agent, or Firm*—McHale & Slavin, P.A.

(**) Term: **14 Years**

(57) **CLAIM**

(21) Appl. No.: **29/206,318**

The ornamental design for a CD bin, as shown and described.

(22) Filed: **May 28, 2004**

DESCRIPTION

(51) **LOC (8) Cl.** **03-01**

(52) **U.S. Cl.** **D3/304; D3/307**

(58) **Field of Search** D3/201, 203.1–203.3,
D3/304–315; D6/525; D19/75, 77, 86, 90,
92, 100; 206/203, 214, 215, 822, 307.1;
229/100, 914, 913, 406

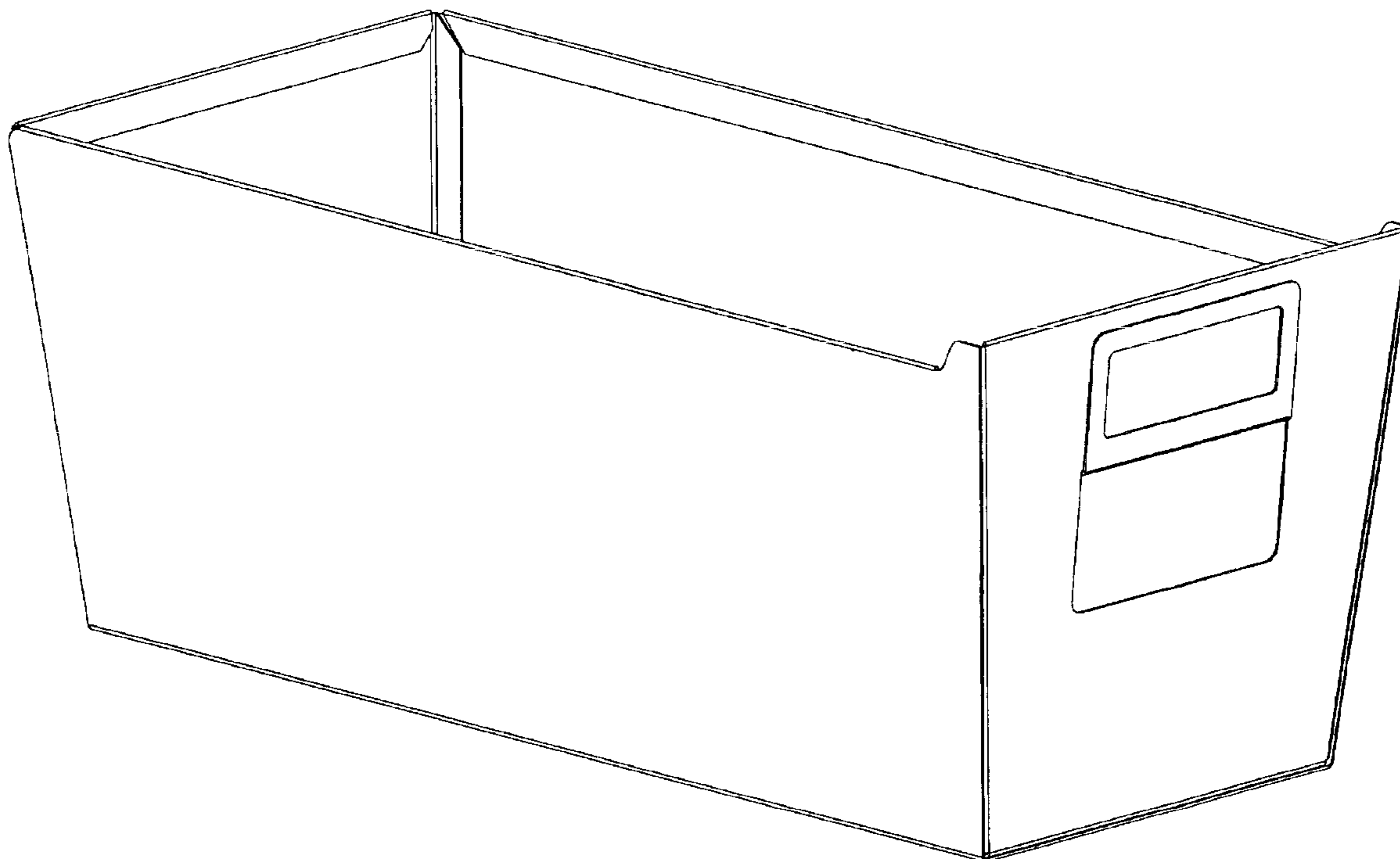
FIG. 1 is a perspective view of the CD bin of the instant invention;
FIG. 2 is a front elevation view thereof;
FIG. 3 is a rear view thereof;
FIG. 4 is a left side view thereof;
FIG. 5 is a right side view thereof;
FIG. 6 is a top view thereof; and,
FIG. 7 is a bottom view thereof.

(56) **References Cited**

U.S. PATENT DOCUMENTS

2,757,852 A * 8/1956 Stedman 229/913

1 Claim, 4 Drawing Sheets



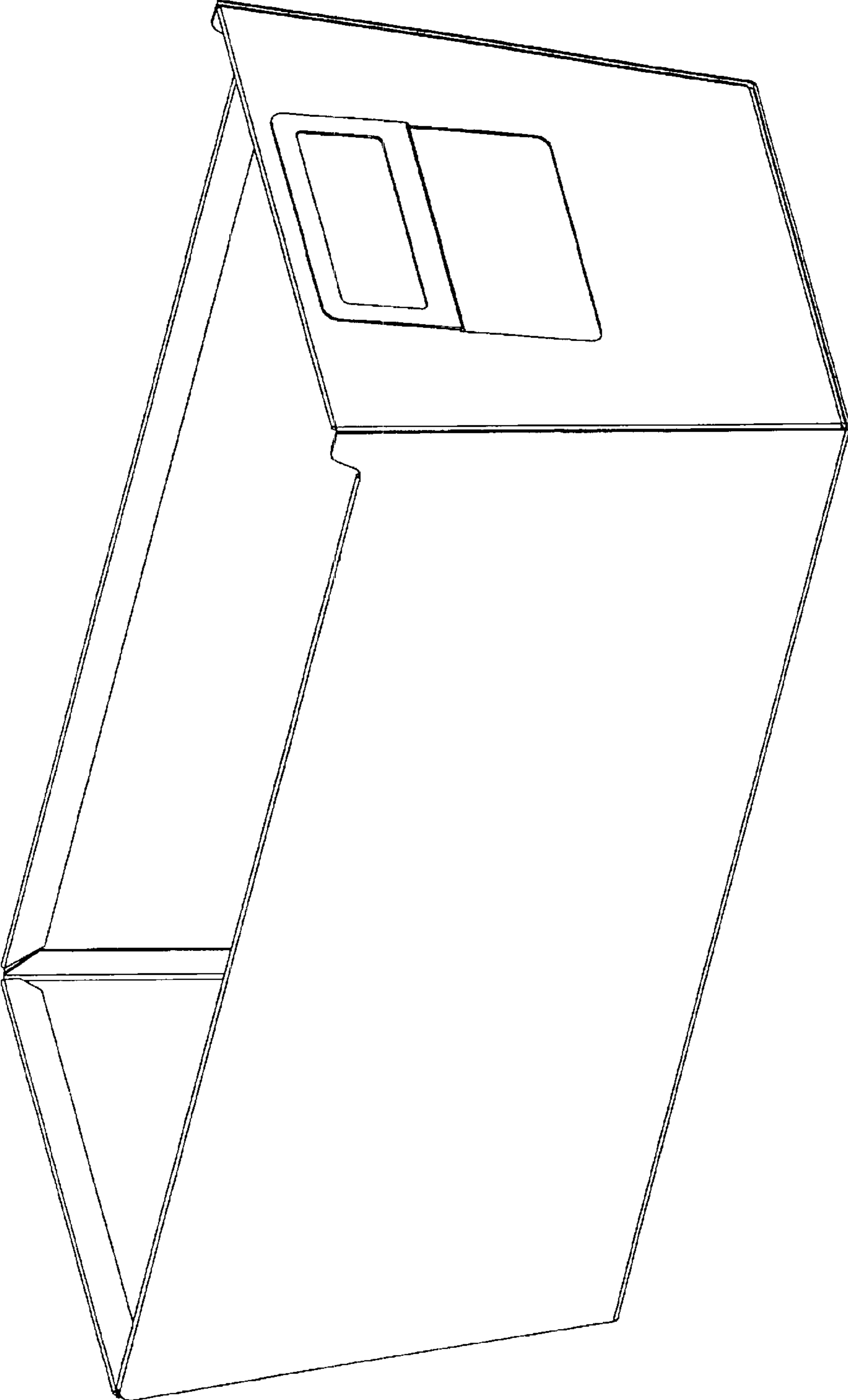


FIGURE 1

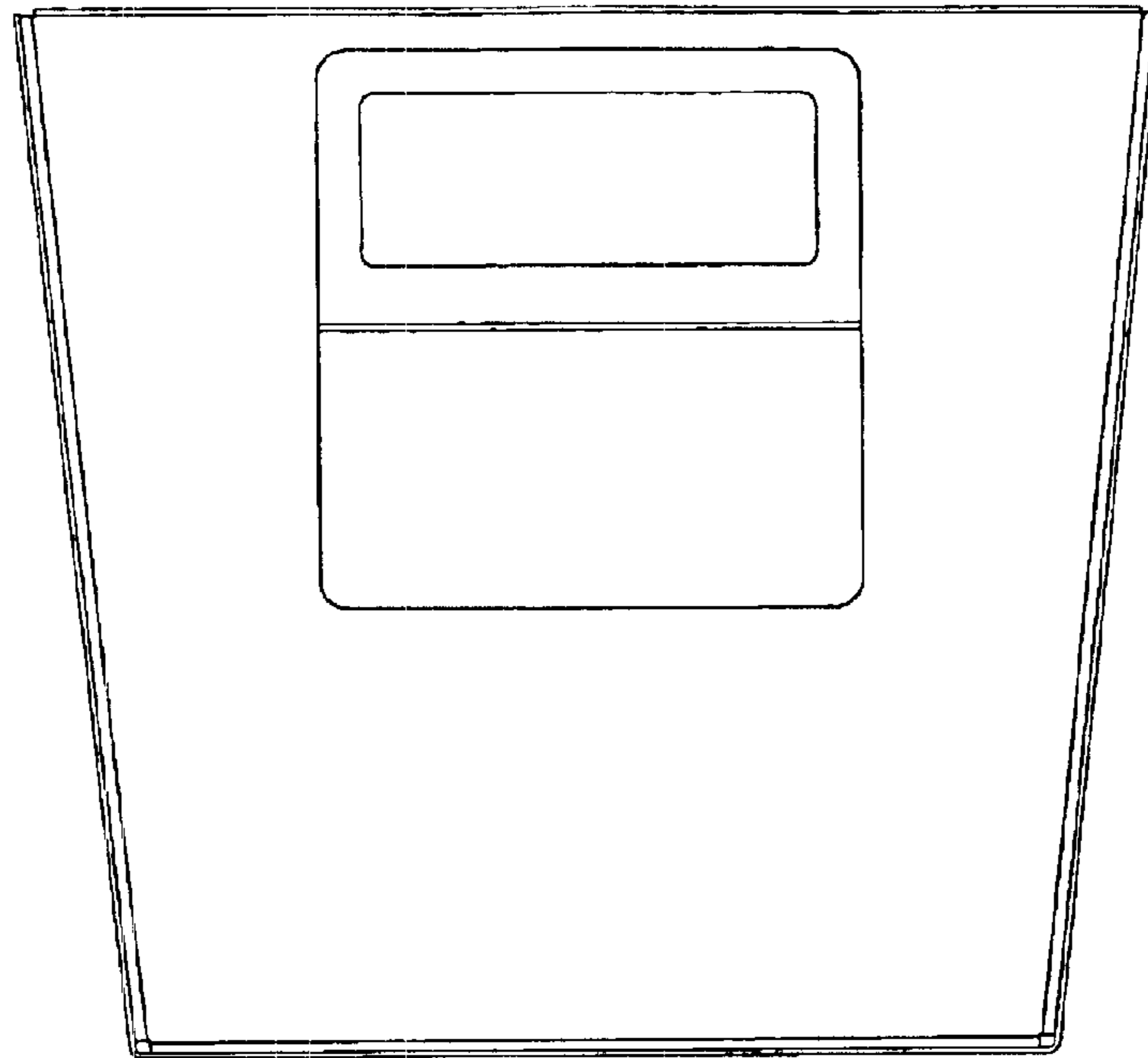


FIGURE 2

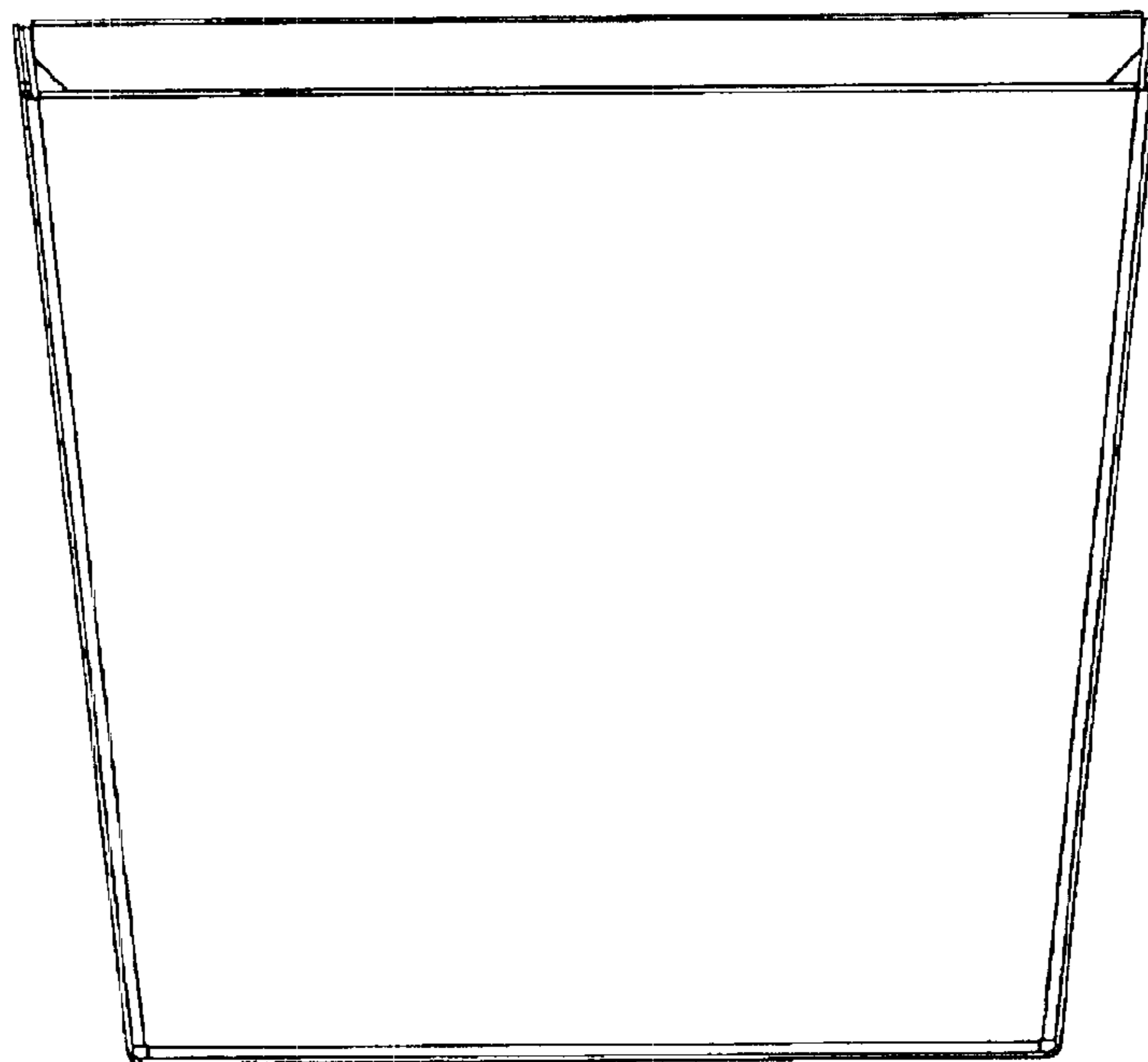


FIGURE 3

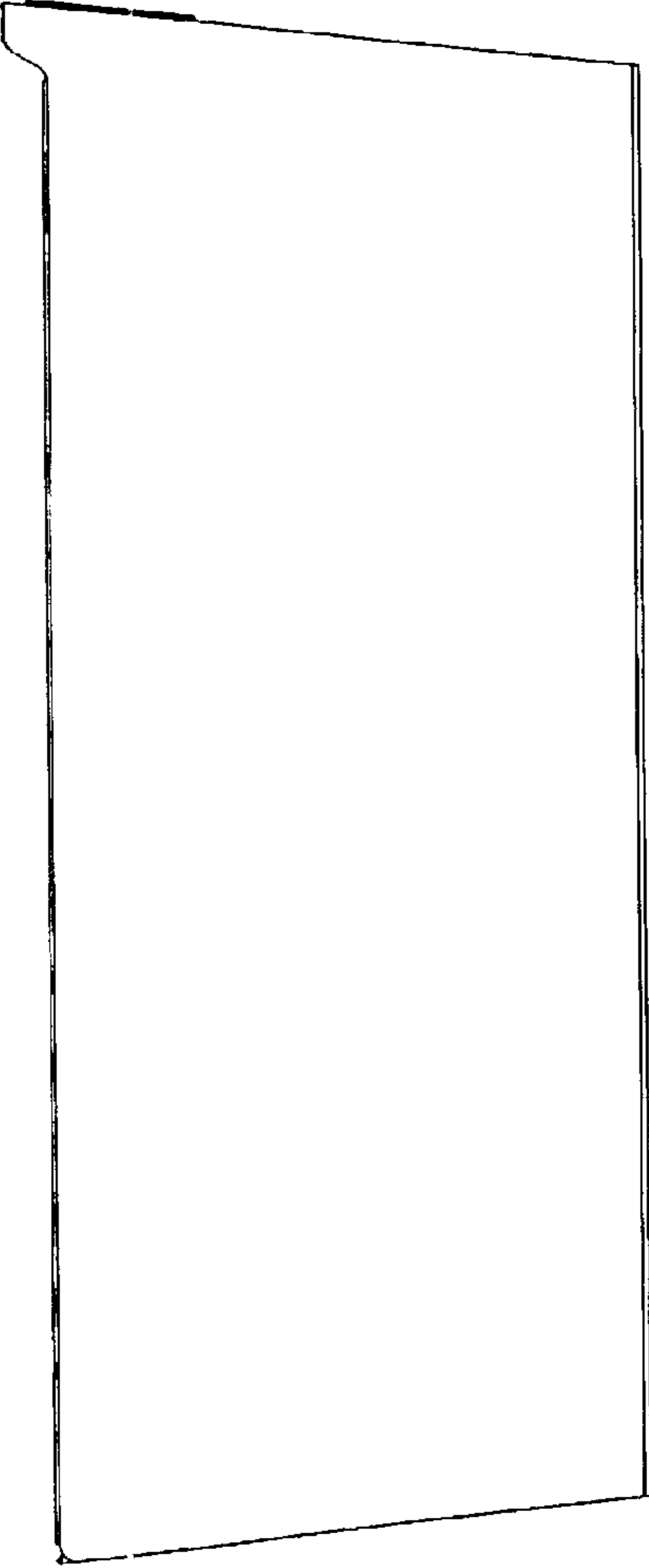


FIGURE 4

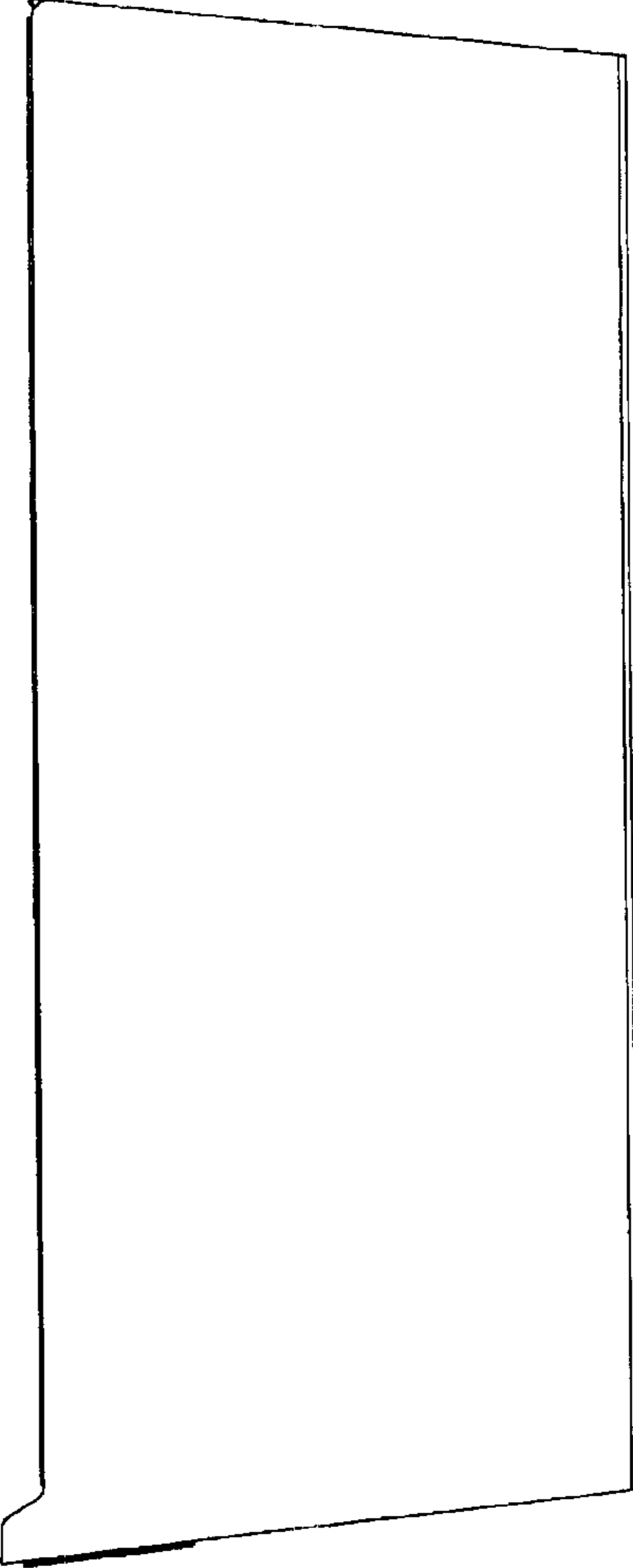


FIGURE 5

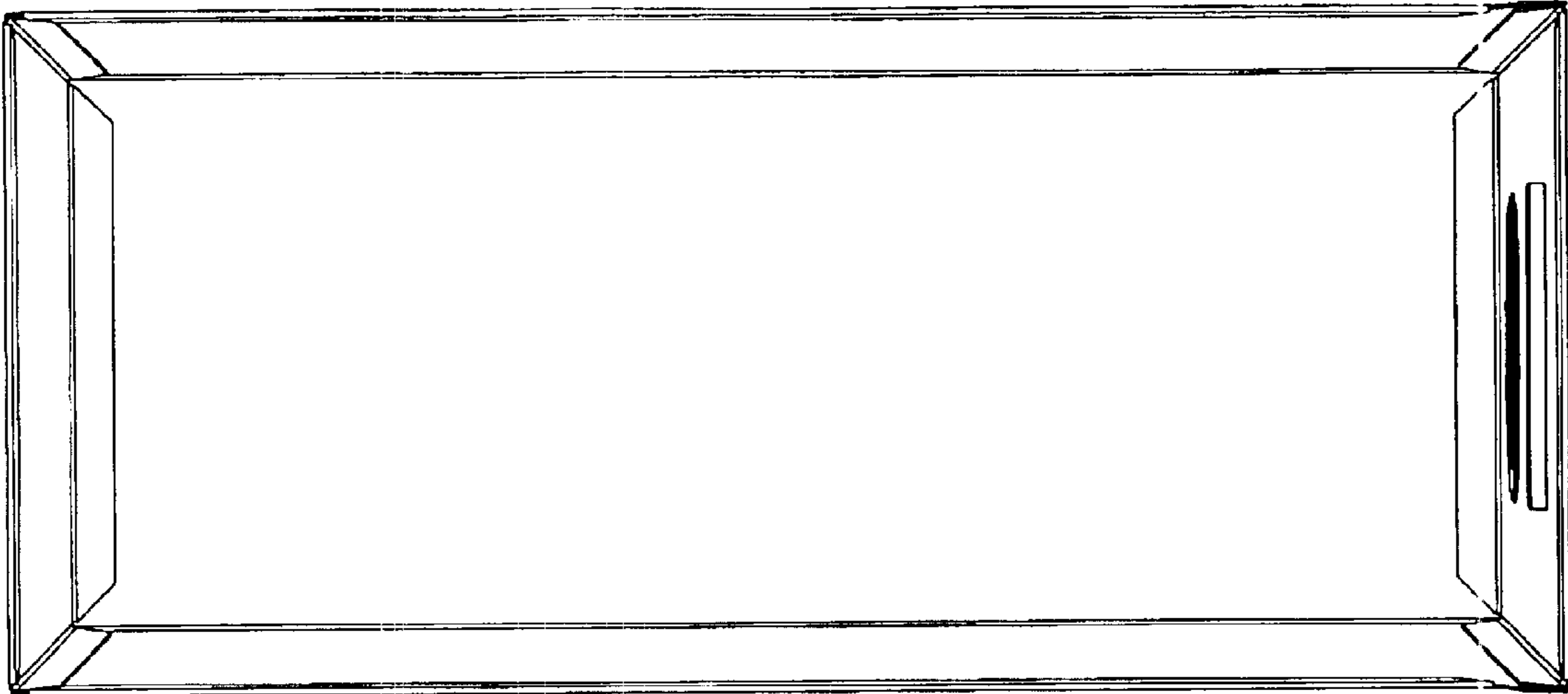


FIGURE 6

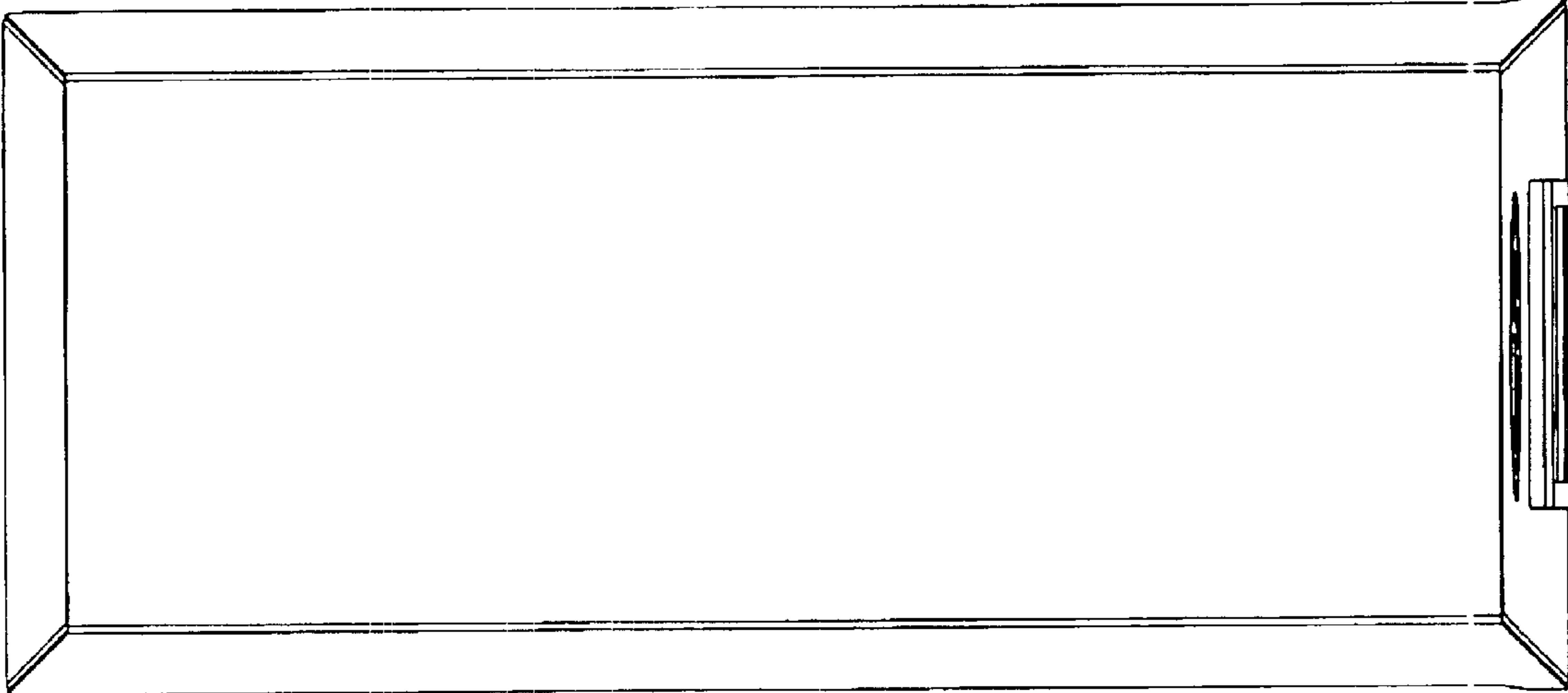


FIGURE 7