

US00D506309S

(12) **United States Design Patent**
Young et al.

(10) **Patent No.: US D506,309 S**
(45) **Date of Patent: ** Jun. 21, 2005**

(54) **CASE FOR AN INJECTION DEVICE**

D485,057 S * 1/2004 Schroer D3/203

(75) Inventors: **Matthew Young**, Cambridge (GB);
Grant Smetham, Surrey (GB); **John G. Wilmot**, Mount Airy, MD (US);
Gerald L. Wannarka, Columbia, MD (US)

* cited by examiner

Primary Examiner—Catherine R. Oliver
(74) *Attorney, Agent, or Firm*—Pillsbury Winthrop LLP

(73) Assignee: **Meridian Medical Technologies Inc.**,
Columbia, MD (US)

(57) **CLAIM**

The ornamental design for a case for an injection device, as shown and described.

(**) Term: **14 Years**

DESCRIPTION

(21) Appl. No.: **29/198,715**

FIG. 1 is a top perspective view of a case for an injection device showing our new design, the top cover of the case in a closed position;

(22) Filed: **Feb. 4, 2004**

FIG. 2 is a front view of the case shown in FIG. 1;

(51) **LOC (8) Cl. 03-01**

FIG. 3 is a top view of the case shown in FIG. 1;

(52) **U.S. Cl. D3/203**

FIG. 4 is a bottom view of the case shown in FIG. 1;

(58) **Field of Search** D3/203, 201, 205,
D3/206; D9/420, 423–424; 206/1.7, 1.8,
1.9, 349, 372–373, 531, 5; D24/137

FIG. 5 is a top perspective view of the case shown in FIG. 1 illustrating the top cover of the case pivoted to an open position, and an interior injection device holder of the case in a closed position;

(56) **References Cited**

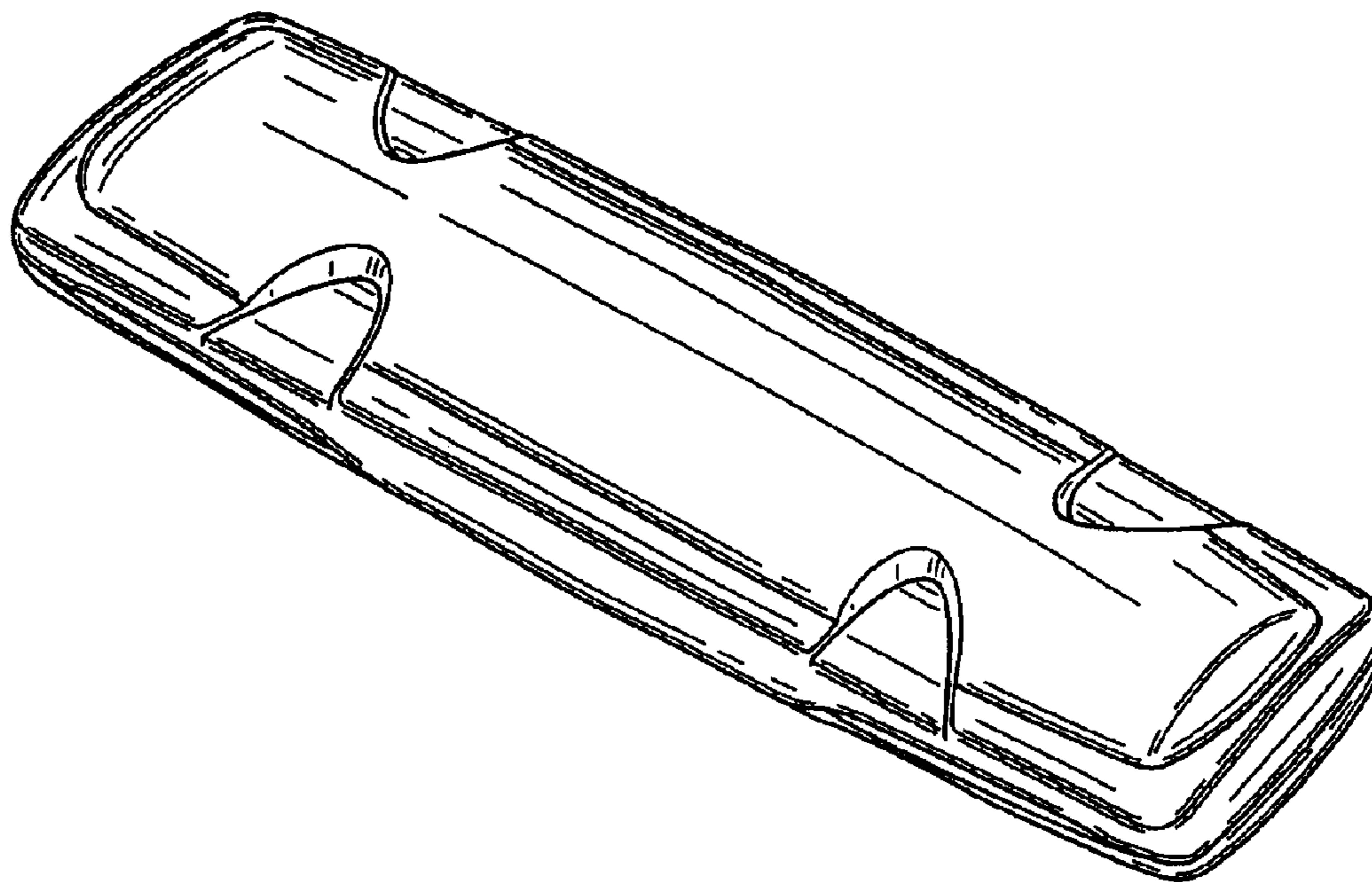
FIG. 6 is a top perspective view of the case shown in FIG. 1 illustrating the top cover of the case pivoted to an open position, and an interior injection device holder of the case pivoted to an intermediate open position; and,

U.S. PATENT DOCUMENTS

5,325,958 A	*	7/1994	Arasim	206/1.8
D357,067 S	*	4/1995	Laun	D3/203
D397,547 S	*	9/1998	Goodwin et al.	D3/206
D480,865 S	*	10/2003	Sayers et al.	D3/203
D481,532 S	*	11/2003	Sayers et al.	D3/203
D482,517 S	*	11/2003	Sayers et al.	D3/203
D484,681 S	*	1/2004	Eldon et al.	D3/203

FIG. 7 is a top perspective view of the case shown in FIG. 1 illustrating the top cover of the case pivoted to an open position, and an interior injection device holder of the case pivoted to a fully open position.

1 Claim, 4 Drawing Sheets



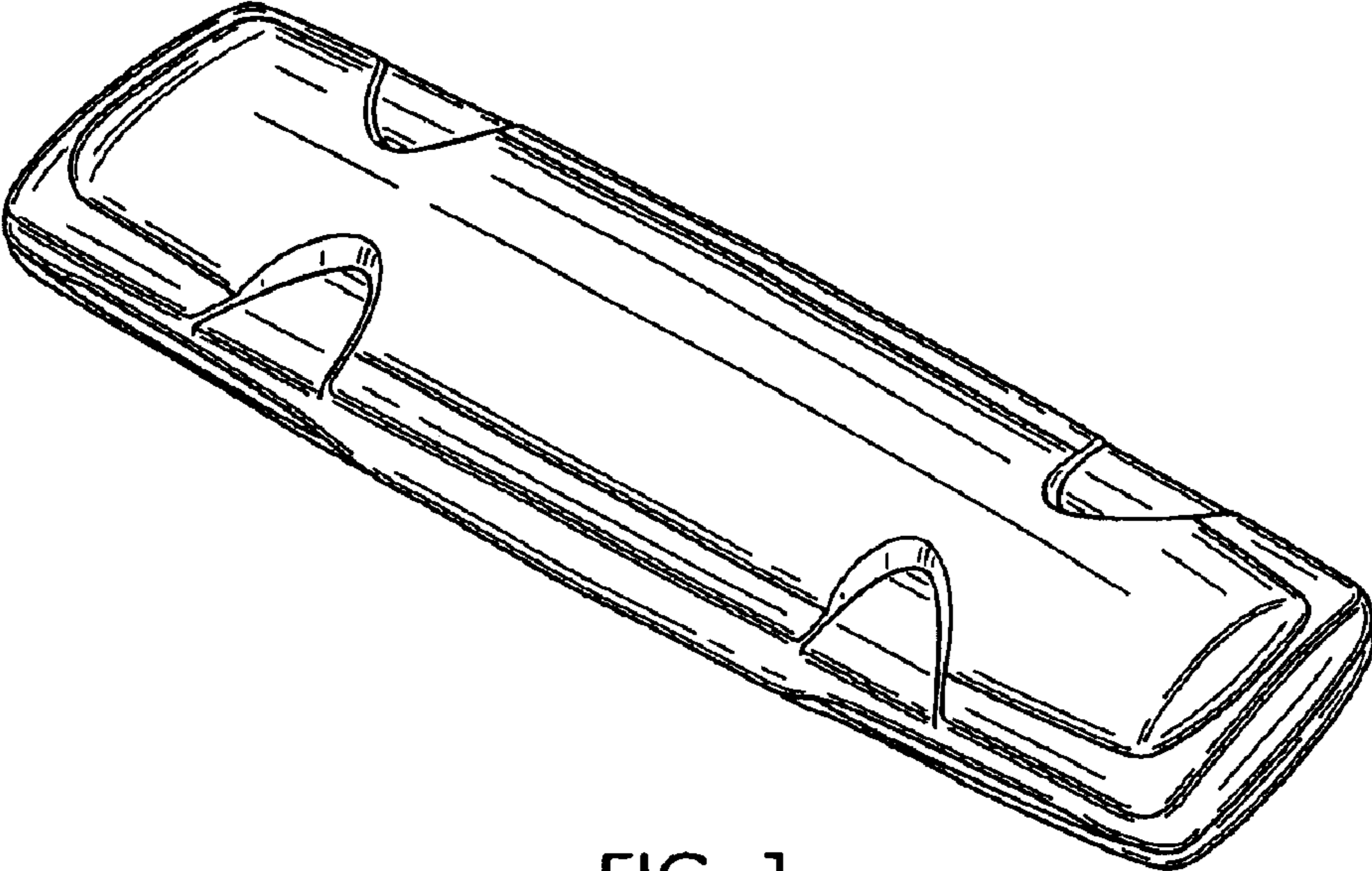


FIG. 1

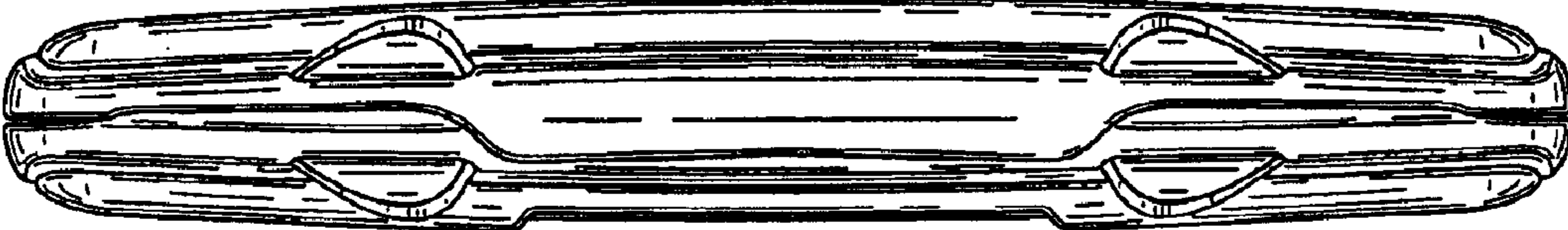


FIG. 2

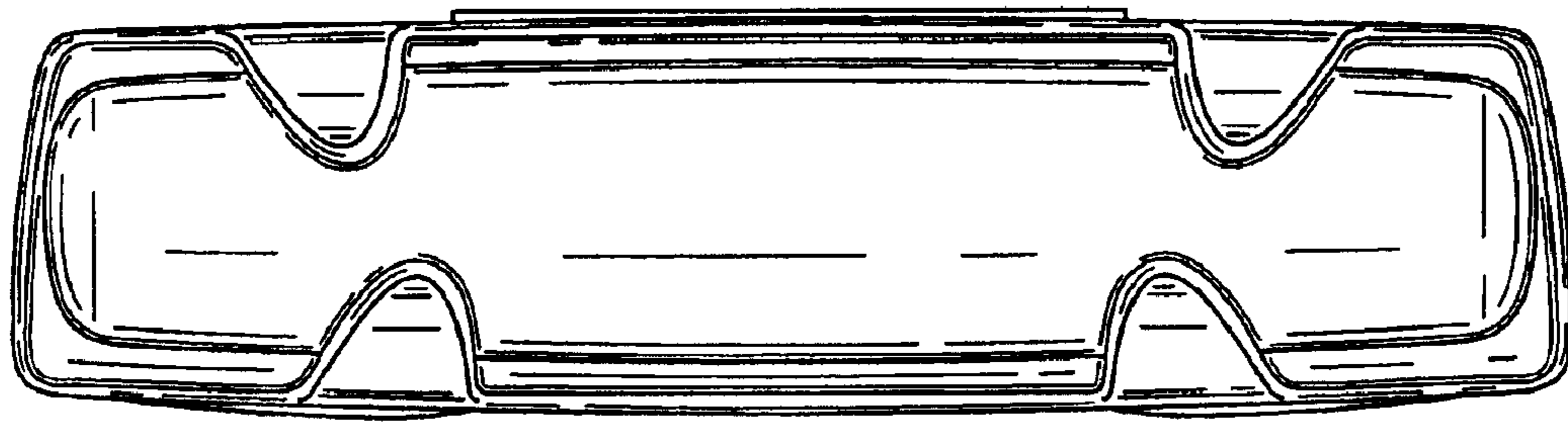


FIG. 3

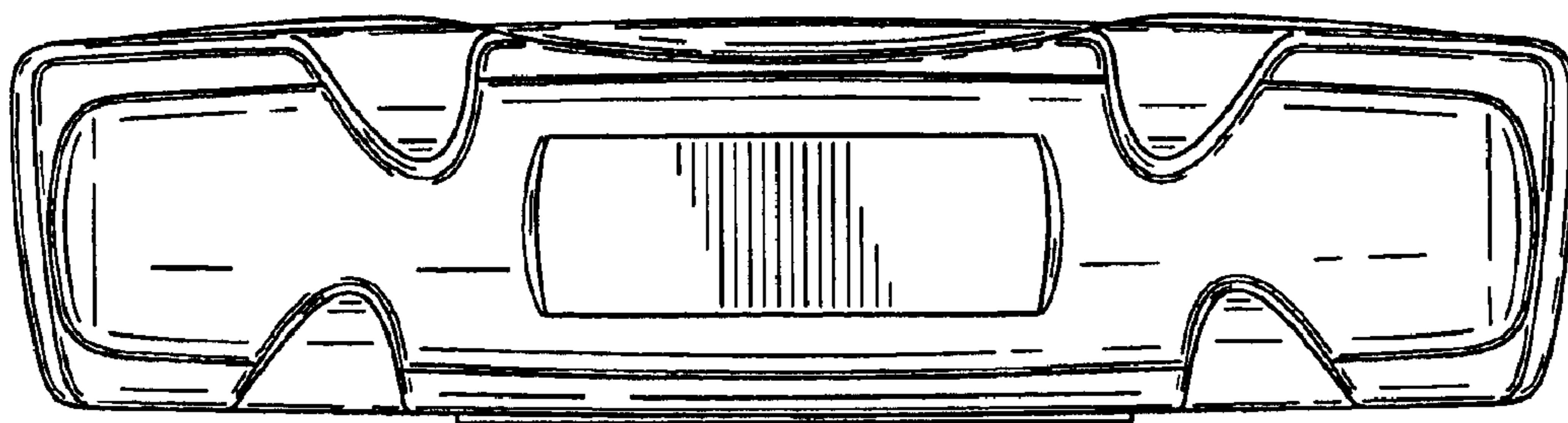


FIG. 4

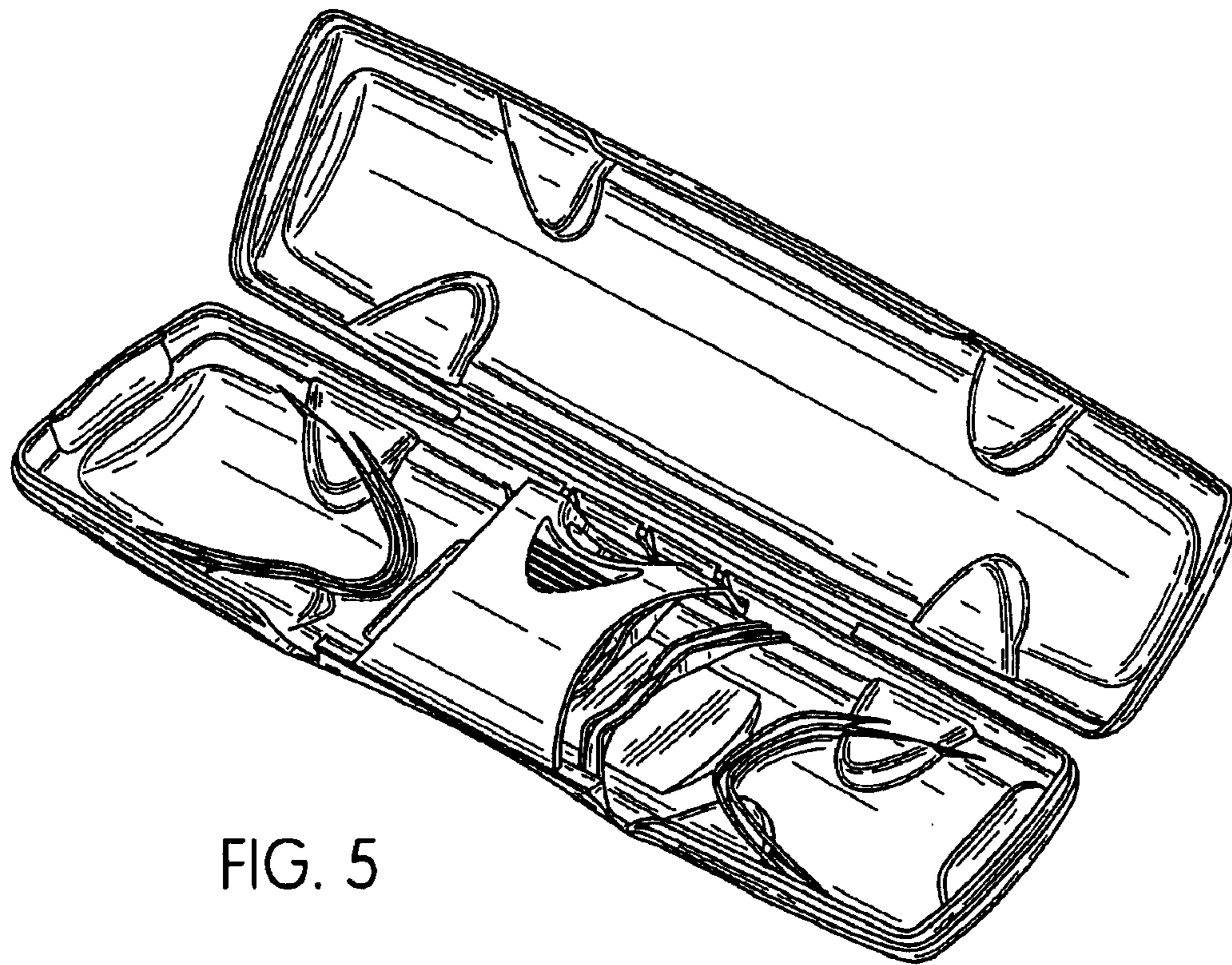


FIG. 5

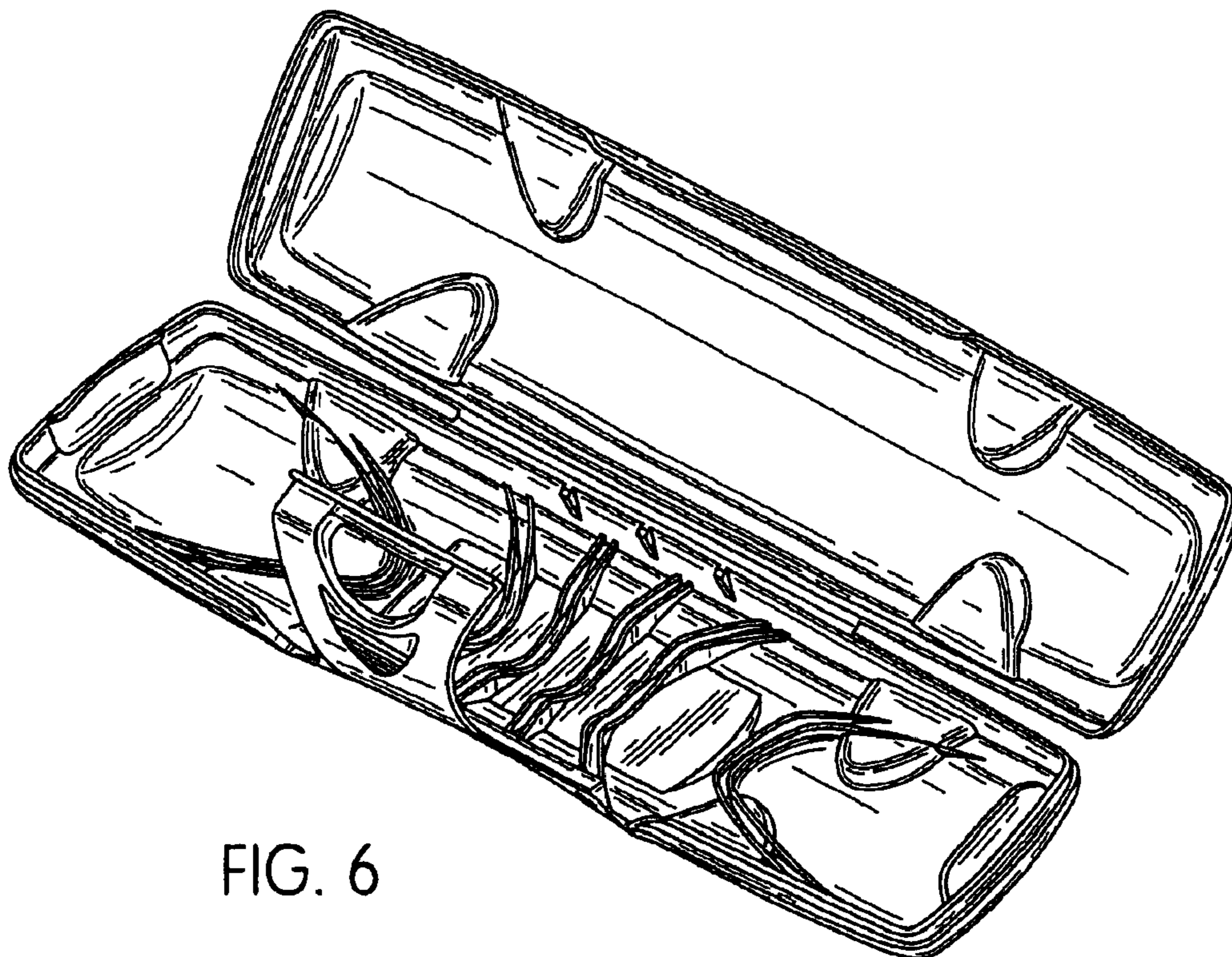


FIG. 6

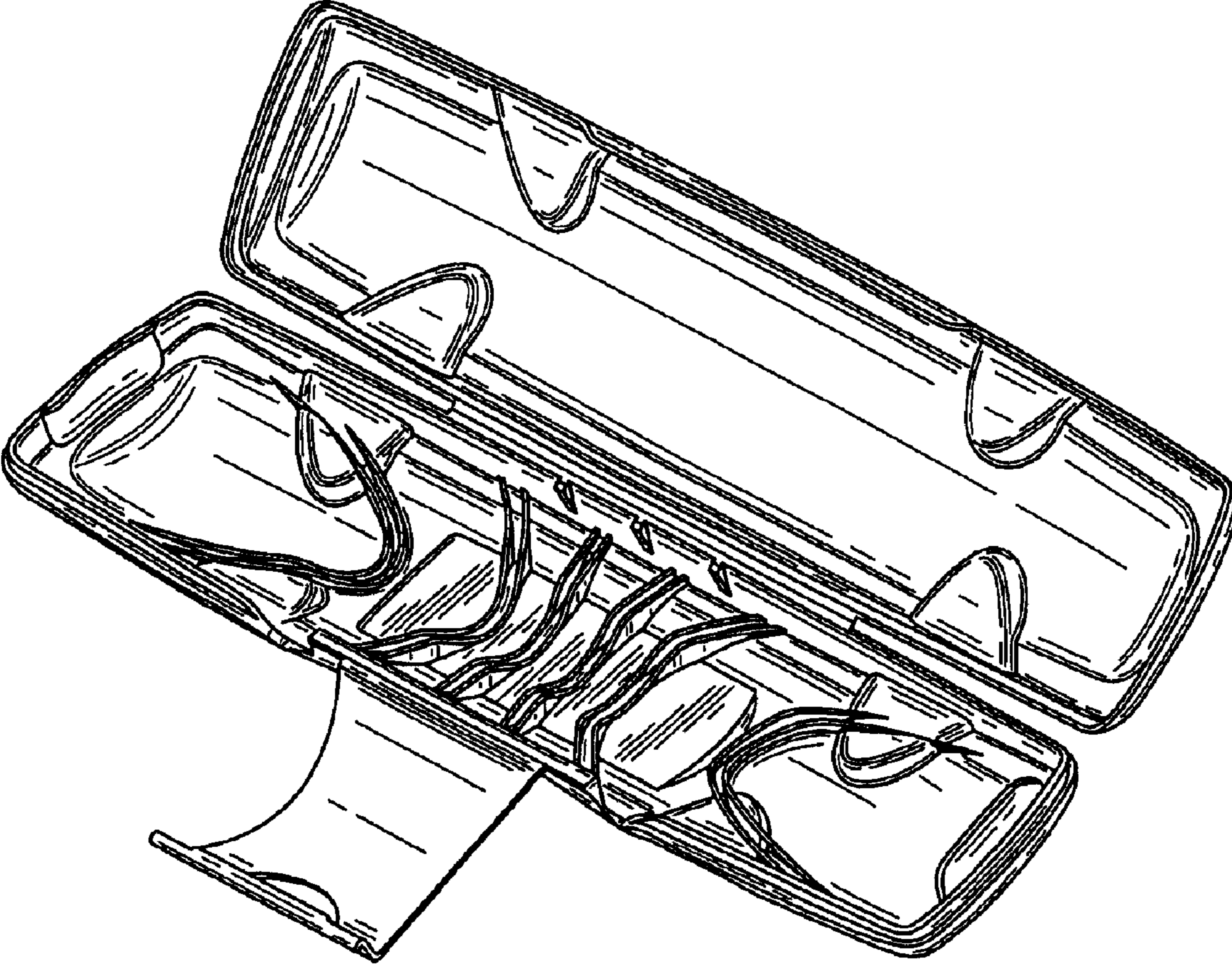


FIG. 7