

US00D506308S

(12) **United States Design Patent**  
**Chretien et al.**

(10) **Patent No.:** **US D506,308 S**  
(45) **Date of Patent:** **\*\* Jun. 21, 2005**

(54) **CLEAT FOR CYCLING SHOES**

D495,122 S \* 8/2004 McMullin ..... D2/962

(75) Inventors: **Jean-Louis Chretien**, Cours les Barres (FR); **Frédéric Roudergues**, Nevers (FR)

\* cited by examiner

*Primary Examiner*—Dominic Simone  
(74) *Attorney, Agent, or Firm*—Young & Thompson

(73) Assignee: **Look Cycle International**, Nevers (FR)

(57) **CLAIM**

(\*\*) Term: **14 Years**

The ornamental design for a cleat for cycling shoes, as shown.

(21) Appl. No.: **29/209,240**

**DESCRIPTION**

(22) Filed: **Jul. 14, 2004**

(51) **LOC (8) Cl.** ..... **02-99**

(52) **U.S. Cl.** ..... **D2/962**

(58) **Field of Search** ..... D2/906, 962; 36/131, 36/134, 62-65

FIG. 1 is a top plan view of a cleat for cycling shoes, showing our new design;

FIG. 2 is a bottom plan view thereof;

FIG. 3 is a top and side perspective view thereof;

FIG. 4 is a side elevational view thereof from the bottom of FIG. 1;

FIG. 5 is a side elevational view thereof from the top of FIG. 1;

FIG. 6 is a side elevational view thereof from the left of FIG. 1; and,

FIG. 7 is a side elevational view thereof from the right of FIG. 1.

(56) **References Cited**

**U.S. PATENT DOCUMENTS**

3,029,529	A	*	4/1962	Schwartz	.....	36/134
3,063,171	A	*	11/1962	Hollander	.....	36/134
D399,647	S	*	10/1998	Hikita et al.	.....	D2/962
D452,064	S	*	12/2001	Savoie	.....	D2/962
6,360,455	B1	*	3/2002	Seo	.....	36/134
D493,610	S	*	8/2004	Chang	.....	D2/962

**1 Claim, 2 Drawing Sheets**

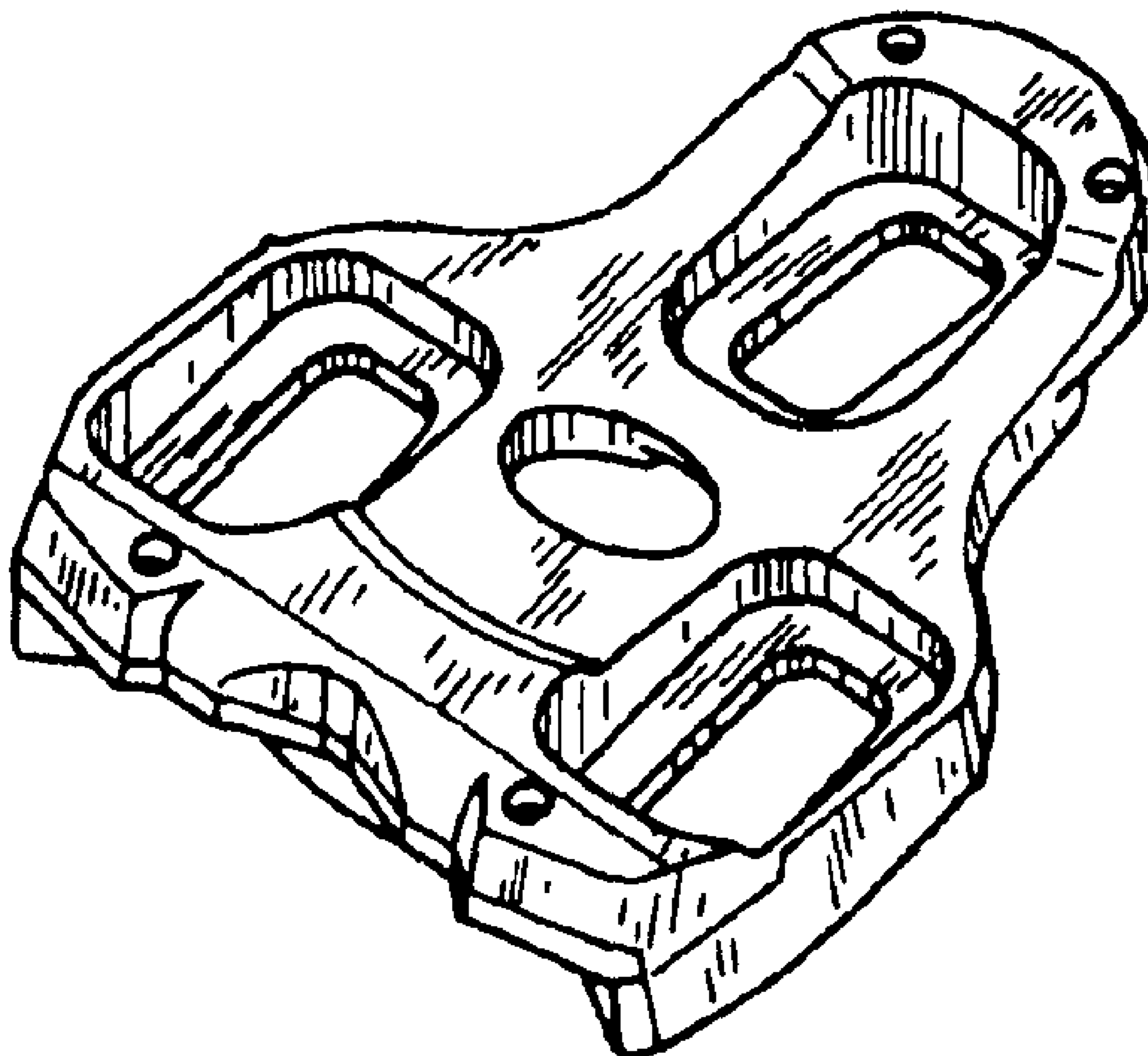


FIG. 1

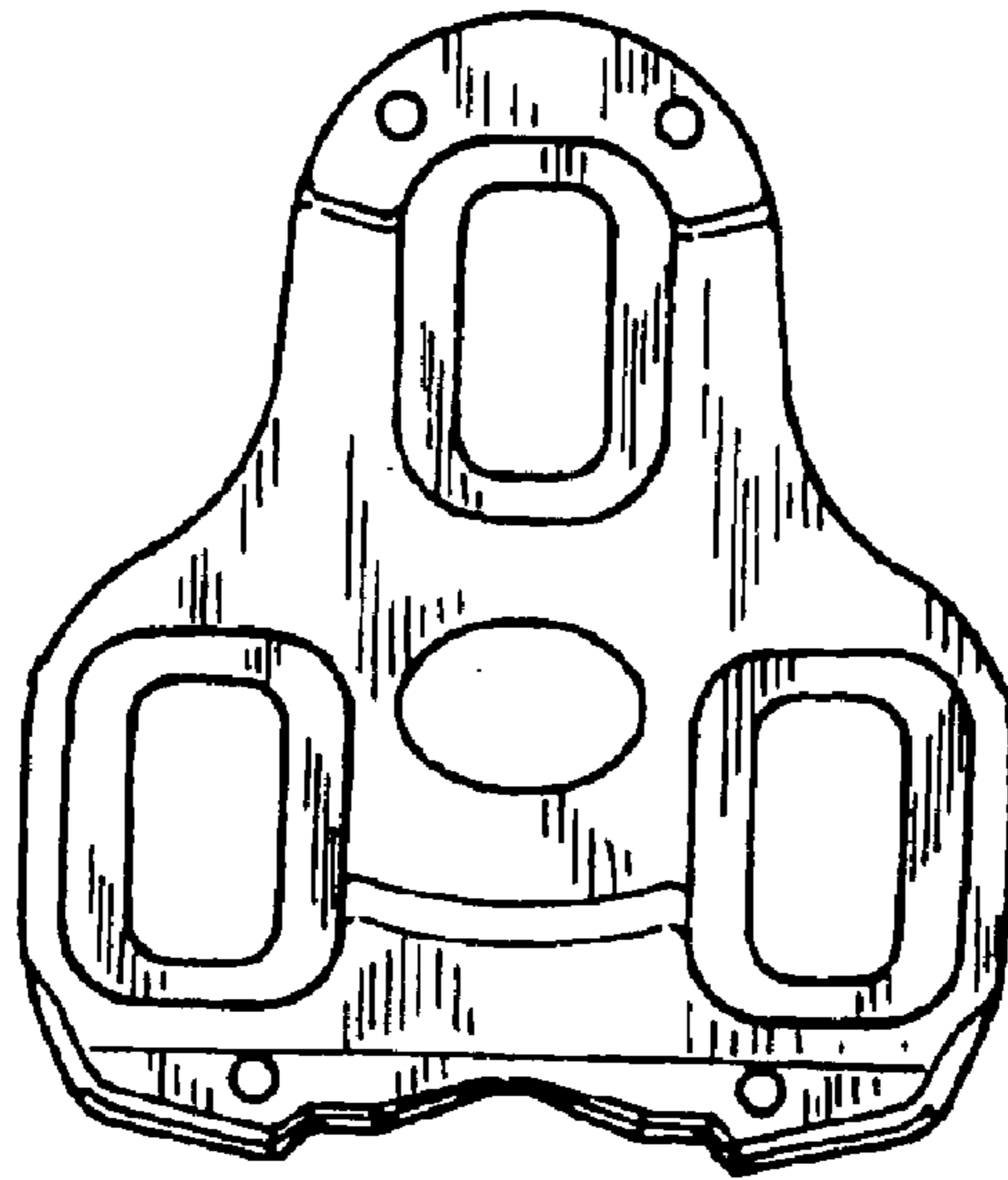


FIG. 2

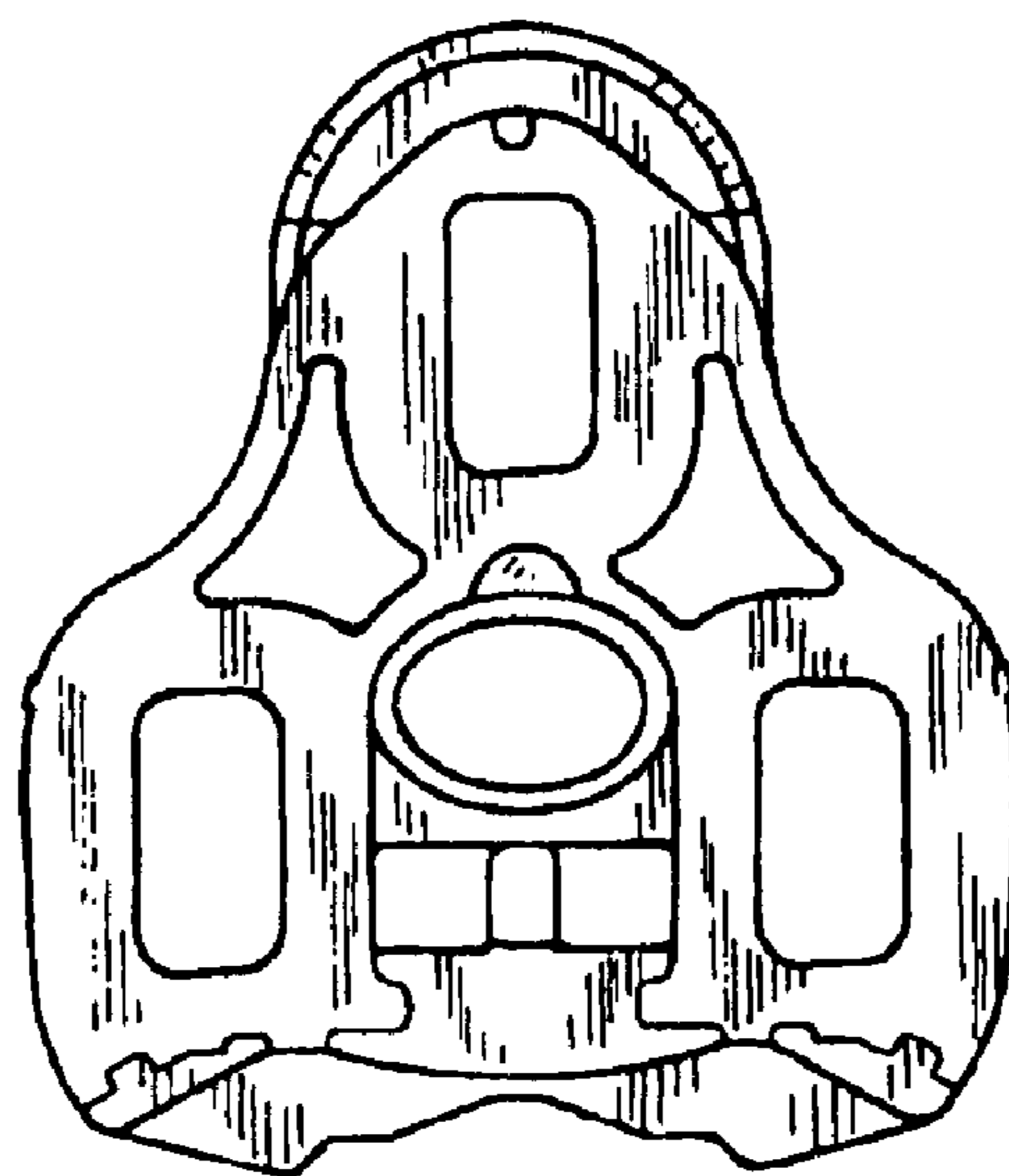


FIG. 4

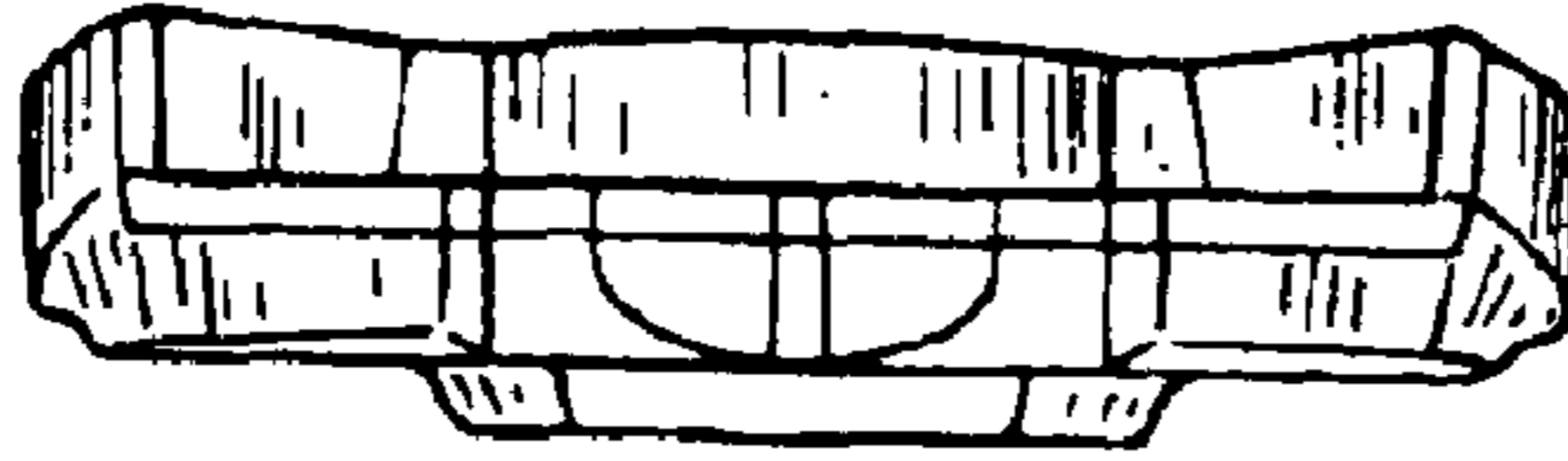


FIG. 6

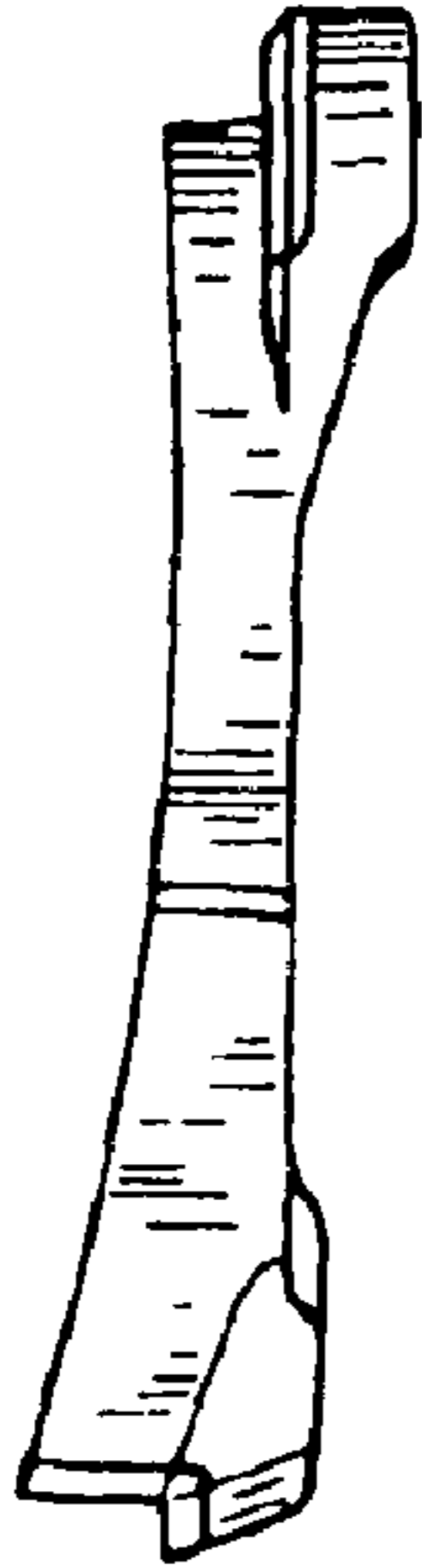


FIG. 3

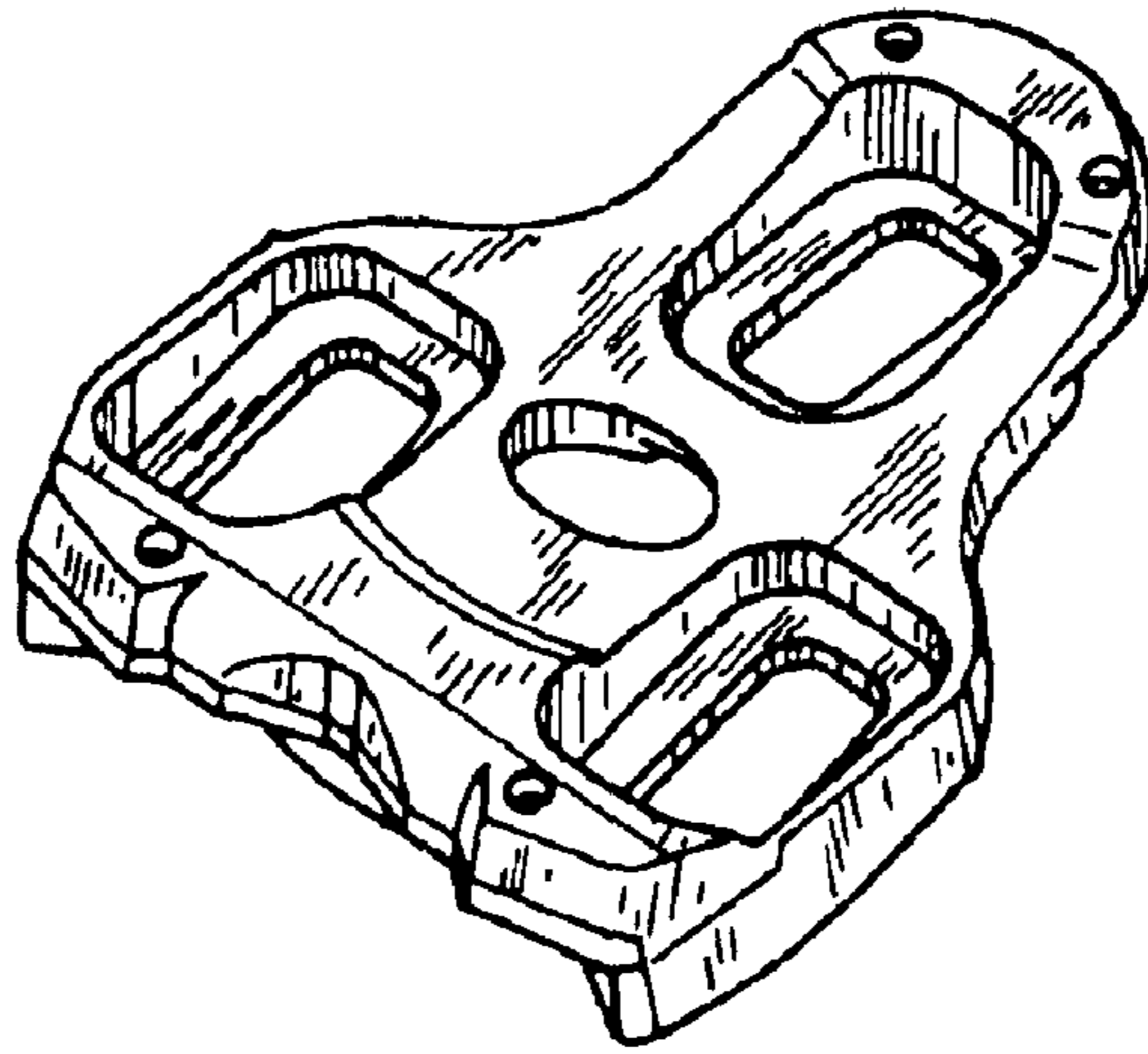


FIG. 7

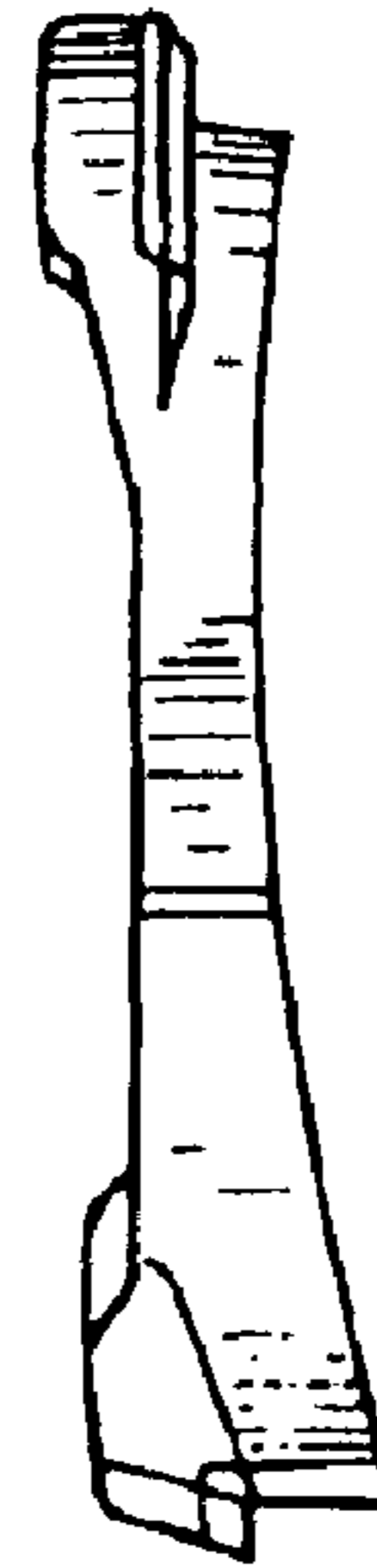


FIG. 5

