

US00D506298S

(12) **United States Design Patent**
Schmitt

(10) **Patent No.: US D506,298 S**
(45) **Date of Patent: ** Jun. 14, 2005**

(54) **SUCTION UNIT FOR A CENTRAL VACUUM CLEANER**

(76) **Inventor: Robert Schmitt**, Goeteborgstrasse 28, Schweinfurt (DE), 97422

(**) **Term: 14 Years**

(21) **Appl. No.: 29/194,097**

(22) **Filed: Nov. 20, 2003**

(51) **LOC (8) Cl. 15-05**

(52) **U.S. Cl. D32/21**

(58) **Field of Search** D32/1, 21, 23, D32/31; 15/301, 302, 320-321, 327.1-327.2, 327.4-327.7, 347, 412, 314, 322, 339, 375, 377, 387, 393, 396, 398, 400, 402, 410, 414

(56) **References Cited**

U.S. PATENT DOCUMENTS

- D245,846 S * 9/1977 Livingston D32/21
- 4,673,424 A * 6/1987 Range 55/356
- D309,122 S * 7/1990 Biemolt D11/145
- D326,005 S * 5/1992 Andersen D32/21
- D326,543 S * 5/1992 Zwicker D32/21
- D342,354 S * 12/1993 Lopes D32/21
- D349,369 S * 8/1994 Adams D32/21
- D381,477 S * 7/1997 Ingram D32/21

- D396,238 S * 7/1998 Schmitt D15/144.1
- D399,030 S * 9/1998 Lopes D32/21
- D403,476 S * 12/1998 Vaughan et al. D32/21
- 6,158,080 A * 12/2000 Schlapkohl 15/301
- D440,788 S * 4/2001 Alexandersson D6/445

* cited by examiner

Primary Examiner—Ruth McInroy

(74) *Attorney, Agent, or Firm*—Nixon Peabody LLP; David S. Safran

(57) **CLAIM**

I claim the ornamental design for a suction unit for a central vacuum cleaner, as shown and described.

DESCRIPTION

FIG. 1 is a front elevational view of a suction unit for a central vacuum cleaner showing my new design, the rear view being plain and unadorned;

FIG. 2 is a top plan view thereof, the bottom wall being the same dimension as the top wall, but being plain and unadorned;

FIG. 3 is a left side elevational view thereof;

FIG. 4 is a right side elevational view thereof; and,

FIG. 5 is a top, left and front perspective view thereof.

The wall mounting bracket shown in broken lines in FIGS. 2-4, forms no part of the claimed design.

1 Claim, 3 Drawing Sheets

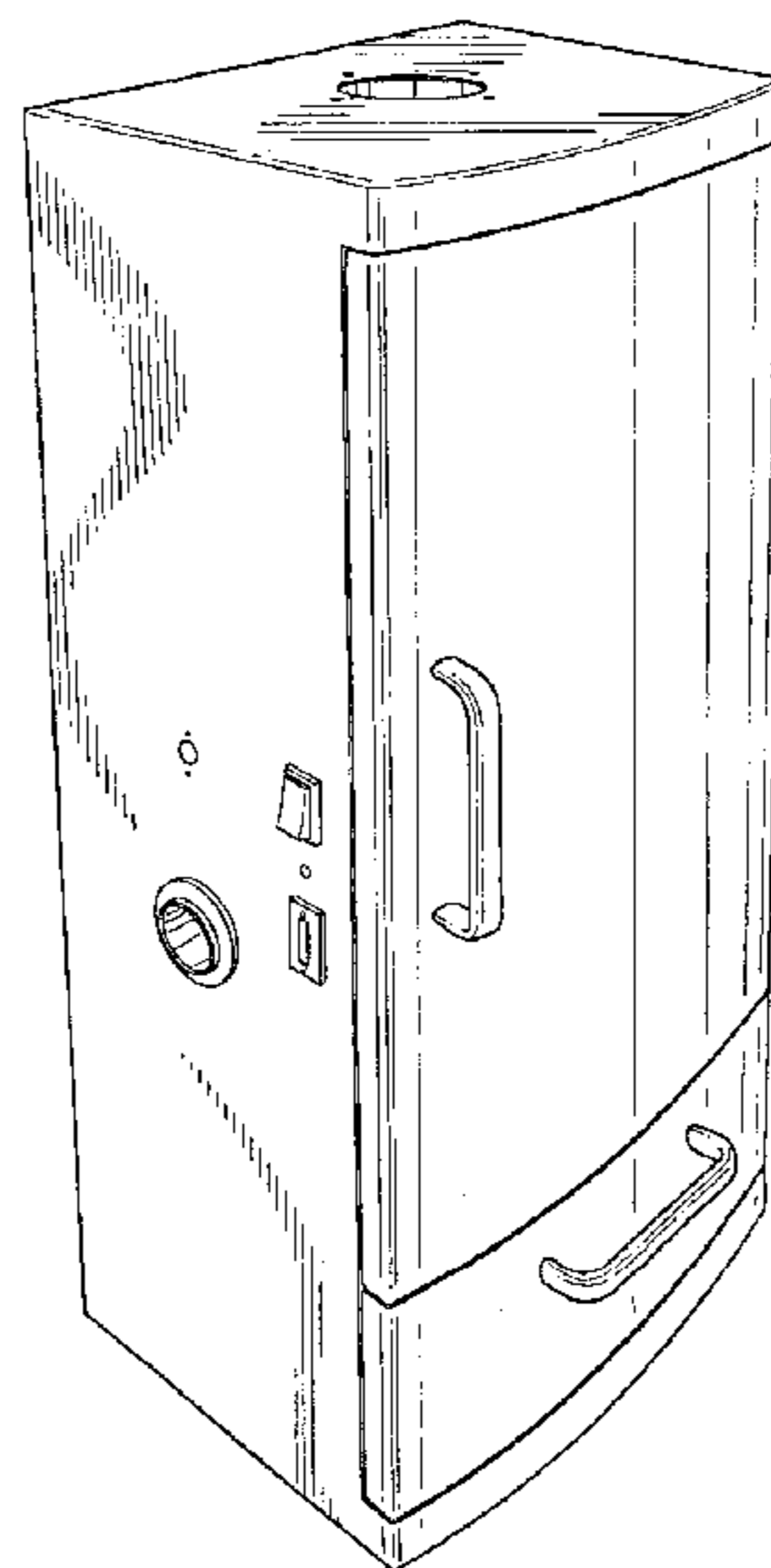
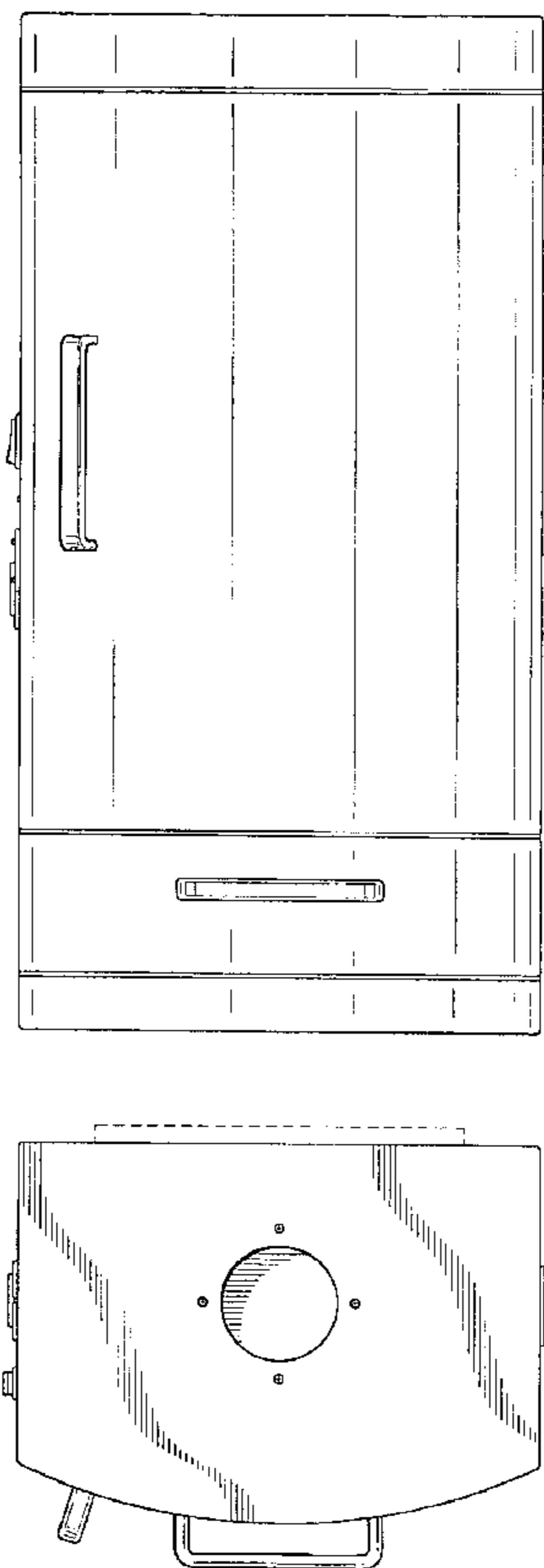


FIG.1

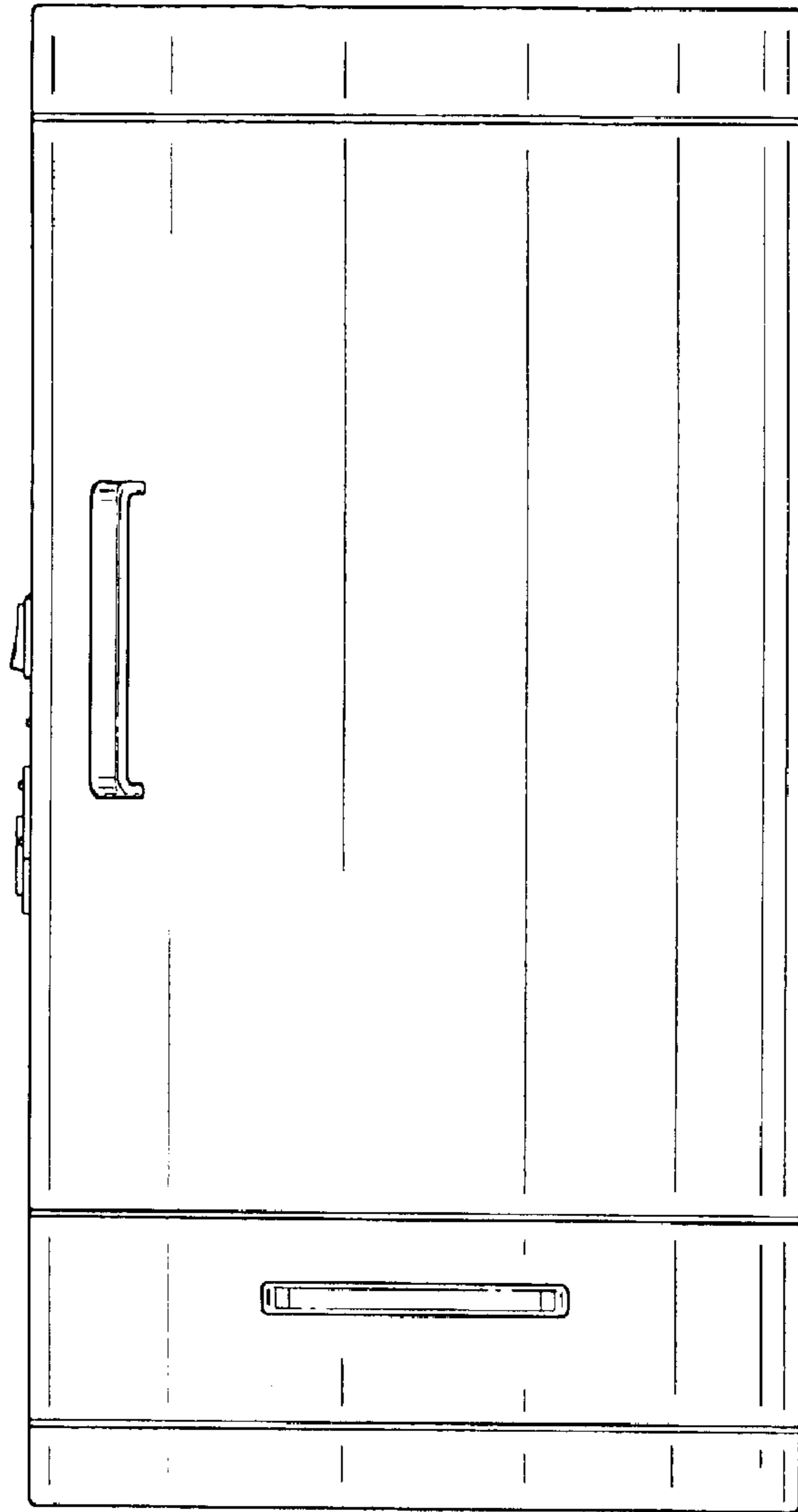
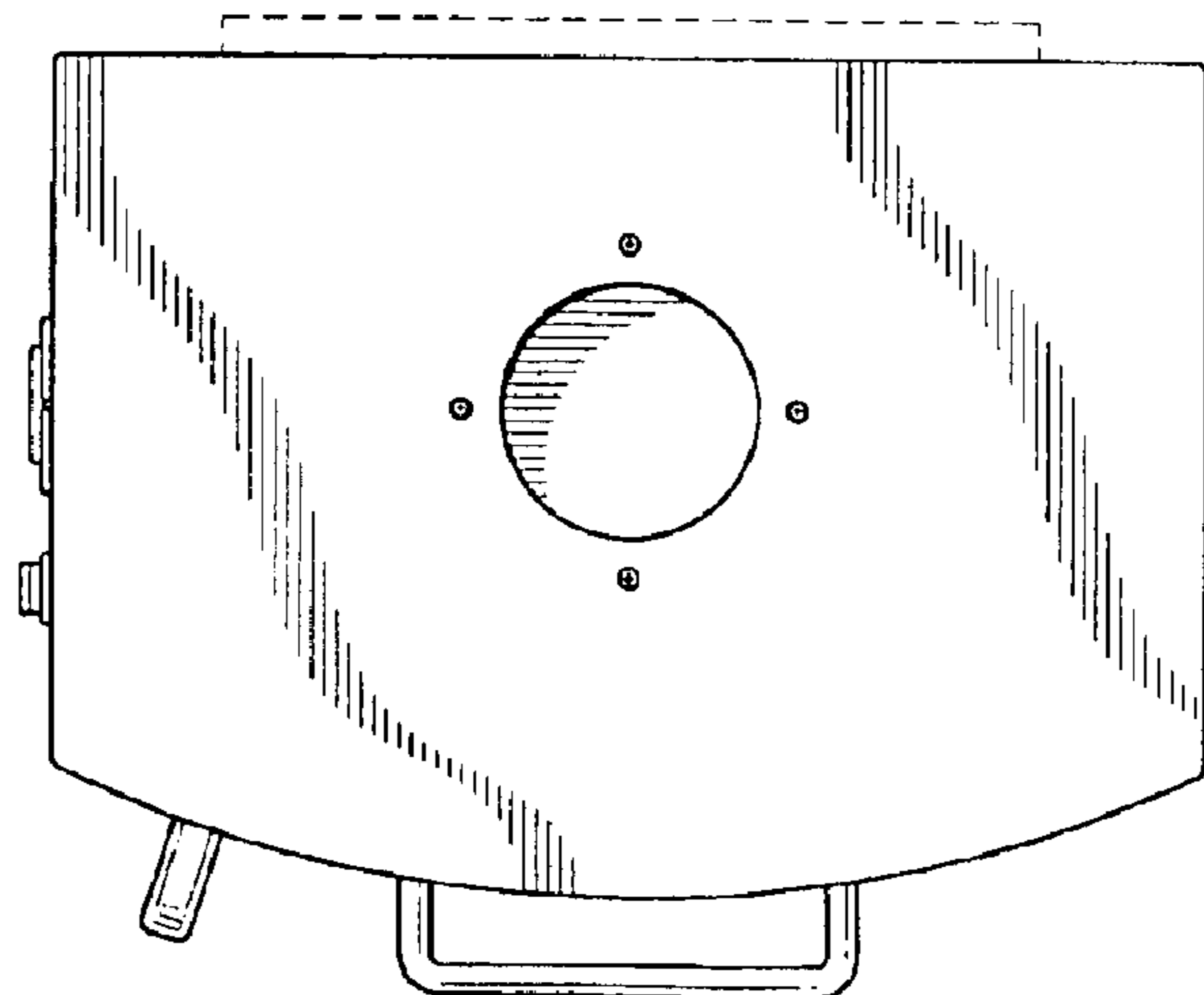


FIG.2



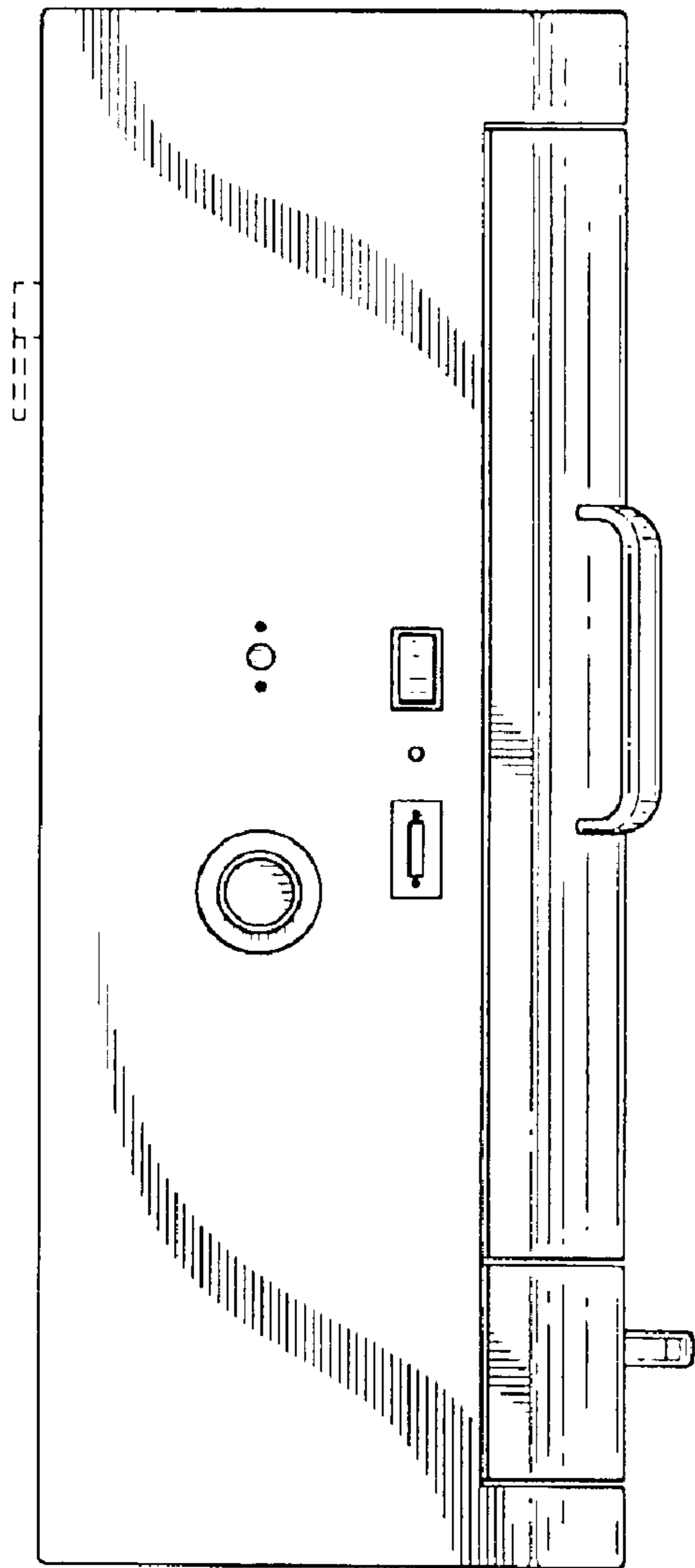


FIG.3

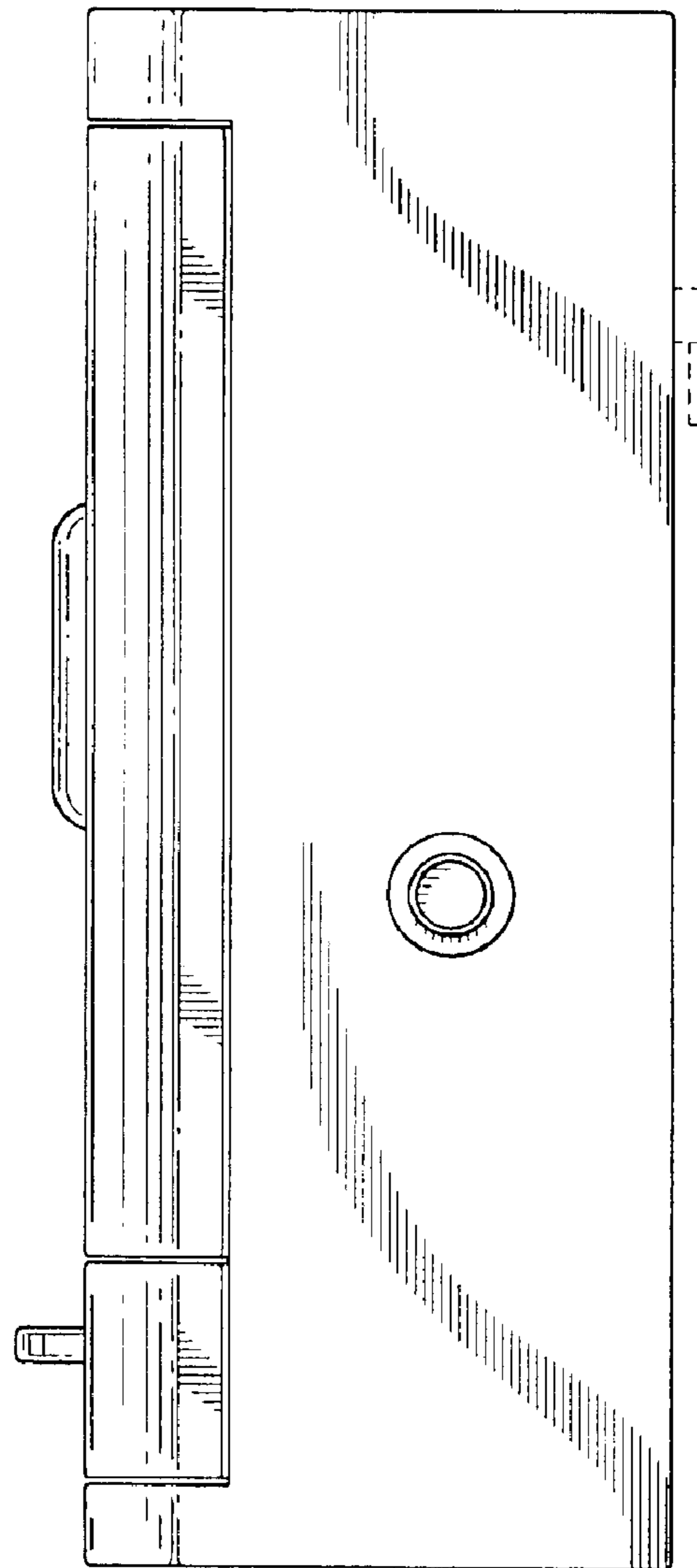


FIG.4

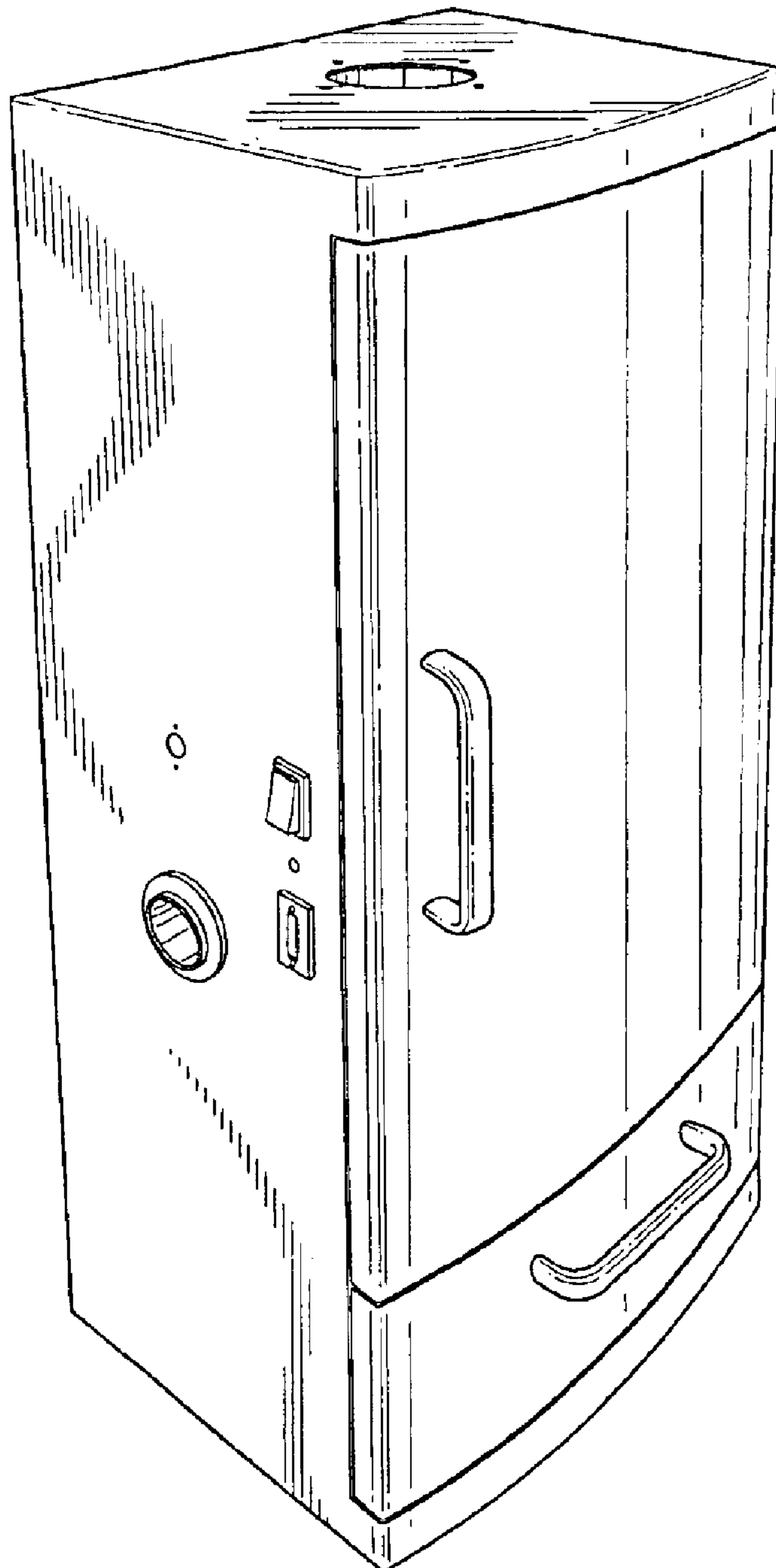


FIG.5