



US00D506296S

(12) **United States Design Patent**
Driver

(10) **Patent No.:** **US D506,296 S**
(45) **Date of Patent:** **** Jun. 14, 2005**

(54) **ANIMAL MEDICAL COLLAR**
(75) Inventor: **Melvin Brian Driver**, Bedfordshire
(GB)
(73) Assignee: **M D C Exports, Limited**, Luton (GB)
(**) Term: **14 Years**

5,469,814 A 11/1995 Moy et al.
5,697,328 A * 12/1997 Hunter 119/714
5,797,354 A 8/1998 Marschall
D417,529 S 12/1999 Stampe
D419,716 S * 1/2000 Parrochia D26/118
6,044,802 A 4/2000 Schmid et al.
6,244,222 B1 6/2001 Bowen
6,463,887 B1 10/2002 Thomas

(21) Appl. No.: **29/181,516**
(22) Filed: **May 12, 2003**
(30) **Foreign Application Priority Data**

Nov. 12, 2002 (GB) 3008601

(51) **LOC (8) Cl.** **30-04**
(52) **U.S. Cl.** **D30/152**; 119/815
(58) **Field of Search** D30/144, 151,
D30/152; 119/856, 855, 814-15, 821, 863,
865

(56) **References Cited**

U.S. PATENT DOCUMENTS

1,583,568 A * 5/1926 Berkowitz 428/211.1
3,013,530 A 12/1961 Zeman
3,036,554 A 5/1962 Johnson
3,072,098 A 1/1963 Boemle
4,200,057 A 4/1980 Agar
4,413,588 A 11/1983 Lindholm
4,476,814 A 10/1984 Miller
5,012,764 A 5/1991 Fick et al.
5,133,295 A 7/1992 Lippincott
5,165,787 A * 11/1992 Holzacker 362/351
5,197,414 A 3/1993 Kanakura
5,211,474 A * 5/1993 Leitner et al. 362/351
5,349,927 A 9/1994 Campbell

* cited by examiner

Primary Examiner—Stella Reid
Assistant Examiner—Susan M Lee
(74) *Attorney, Agent, or Firm*—Brinks Hofer Gilson Lione

(57) **CLAIM**

I claim the ornamental design for an animal medical collar,
as shown and described.

DESCRIPTION

FIG. 1 is perspective view of an animal medical collar of the
present invention shown in use around the neck of an
animal, the portions shown in phantom forming no portion
of the ornamental design.

FIG. 2 is a plan view of the animal medical collar of the
present invention prior to installation on the animal.

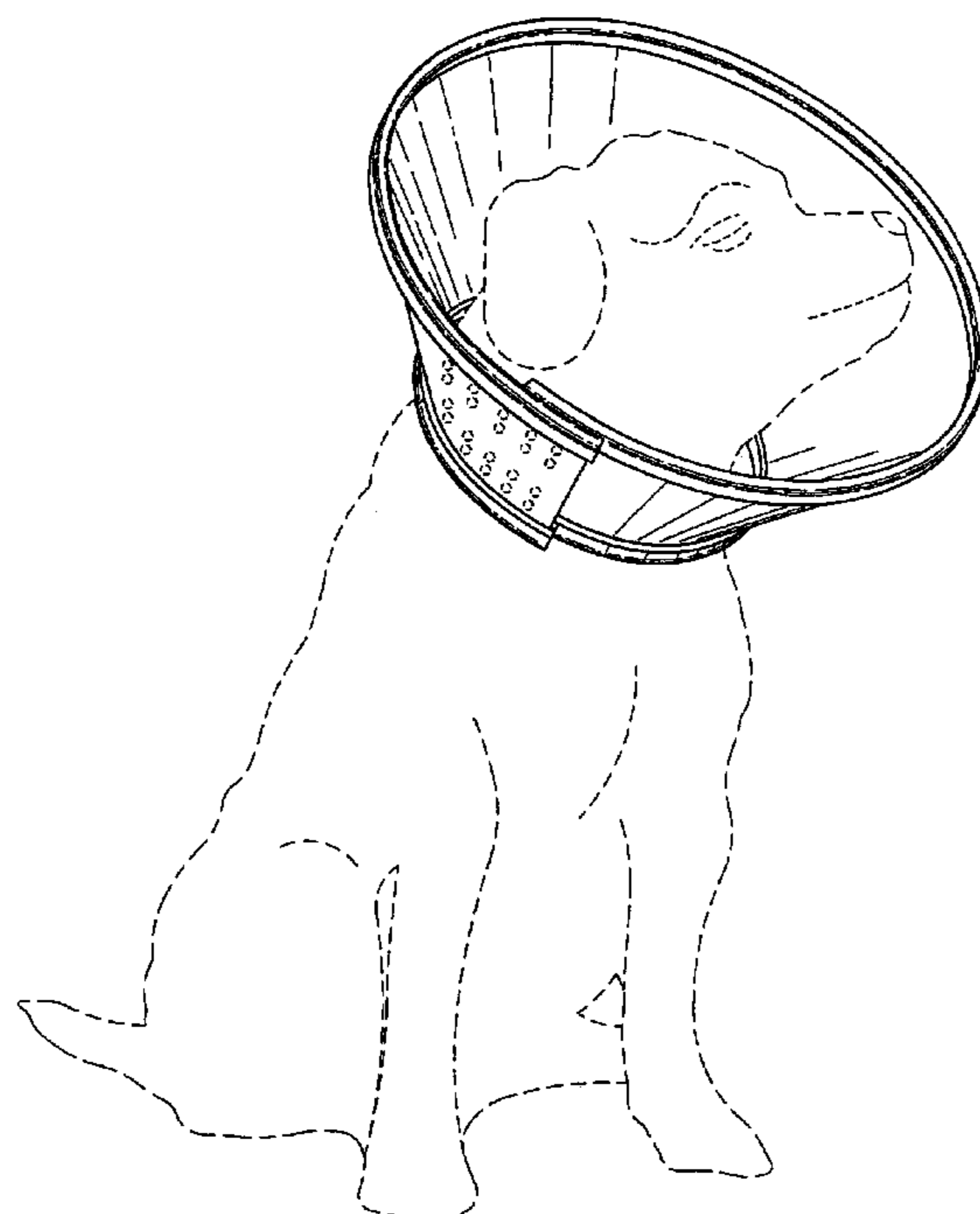
FIG. 3 is a reverse plan view of the animal medical collar
shown in FIG. 2.

FIG. 4 is an elevation view taken from the top of FIG. 2, the
elevation view from the bottom of FIG. 2 being a mirror
image thereof.

FIG. 5 is a side elevation view from the right side of FIG.
2; and,

FIG. 6 is a side elevation view from the left side of FIG. 2.

1 Claim, 4 Drawing Sheets



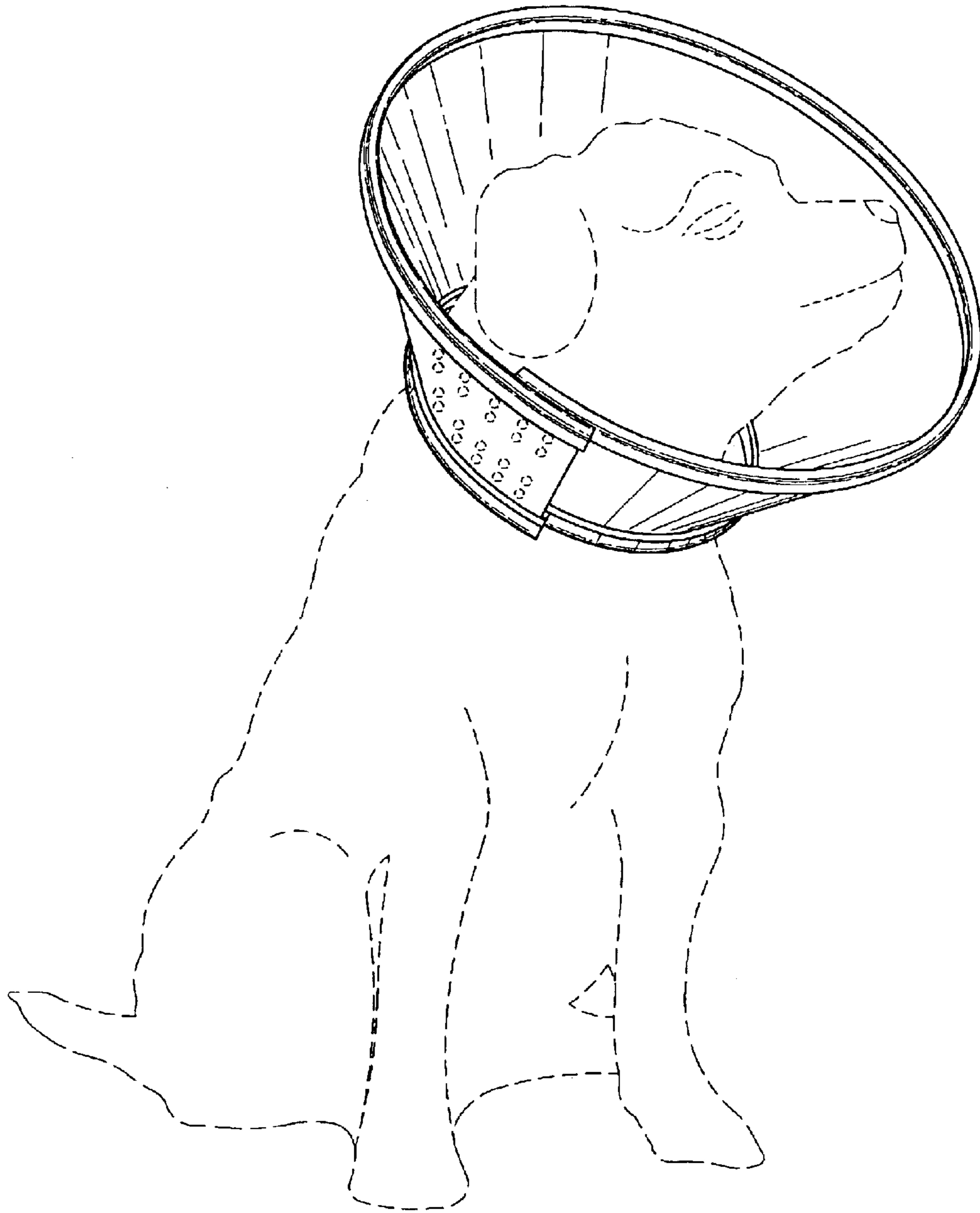


Fig. 1

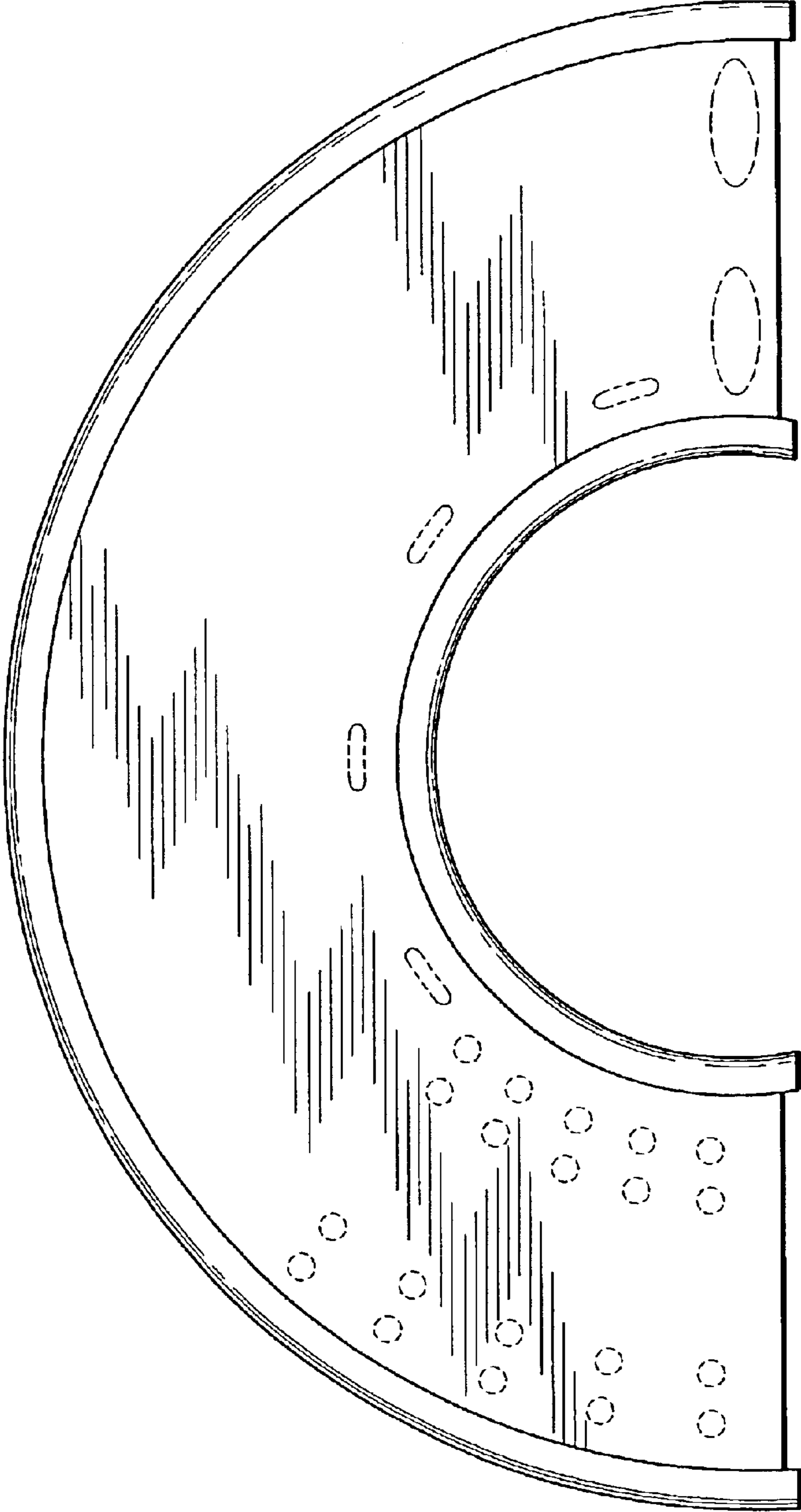


Fig. 2

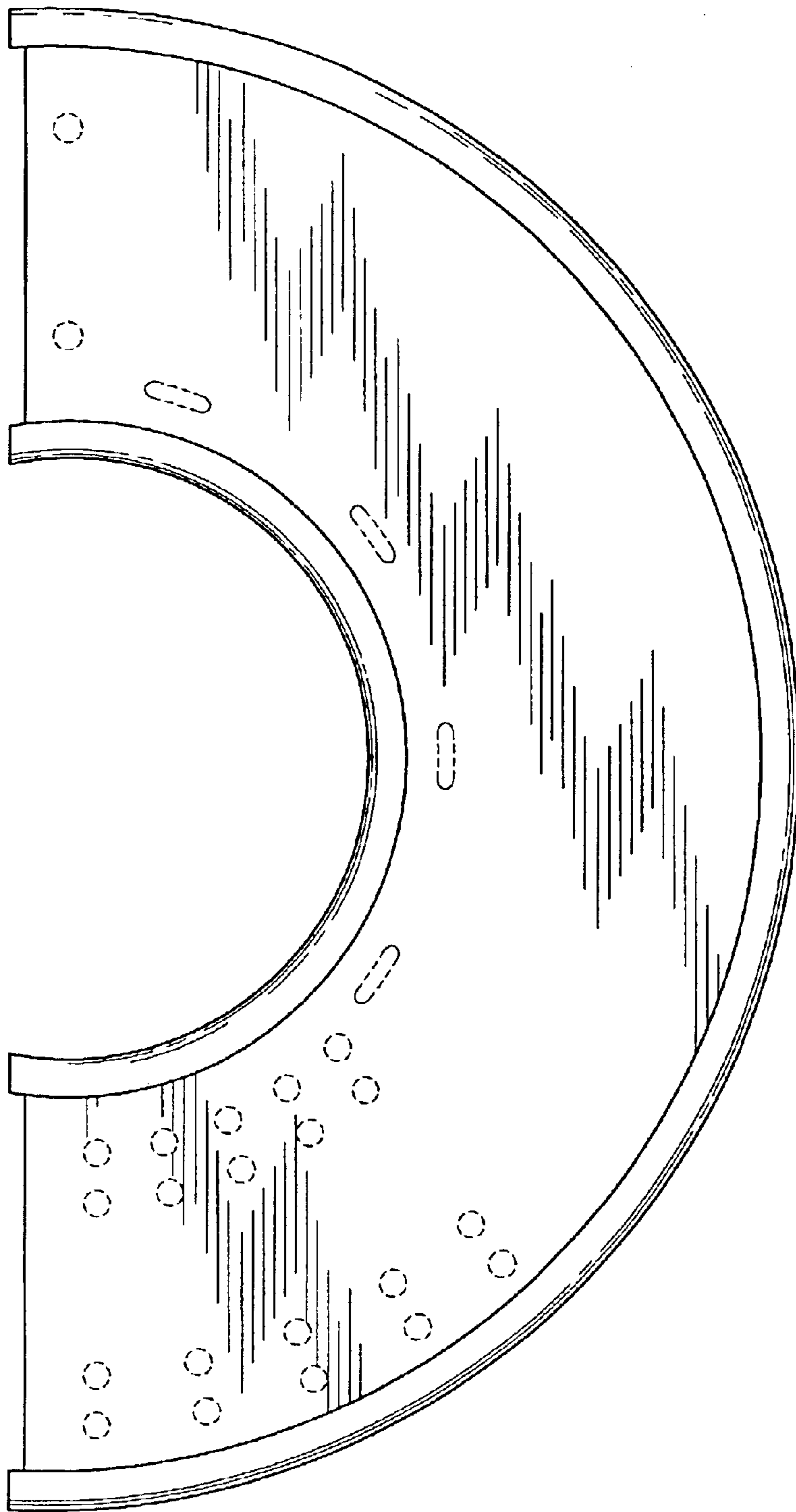


Fig. 3

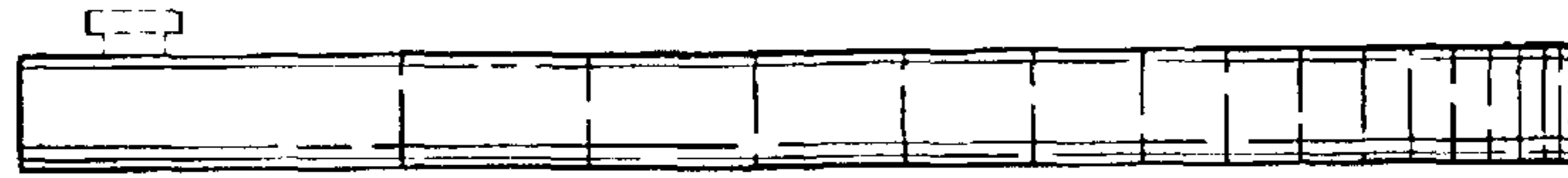


Fig. 4

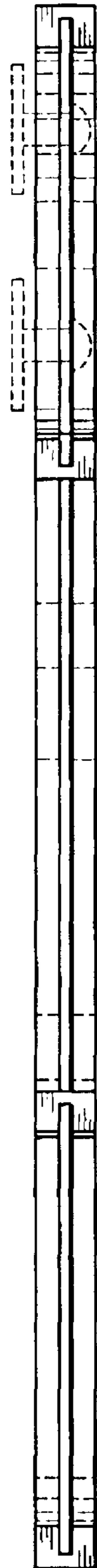


Fig. 5

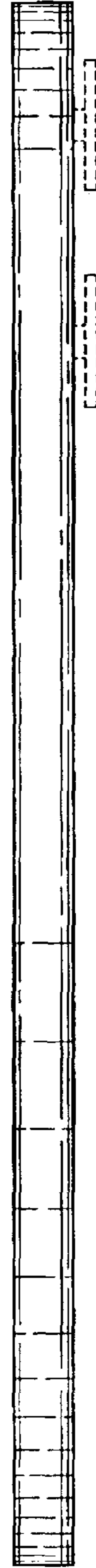


Fig. 6