

US00D506295S

(12) **United States Design Patent**  
**Hammer et al.**

(10) **Patent No.:** **US D506,295 S**  
(45) **Date of Patent:** **\*\* Jun. 14, 2005**

(54) **PET FEEDS DISPENSER**

(76) Inventors: **Markus Hammer**, Memelstrasse 27,  
89231 Neu-Ulm (DE); **Cheng-Shan  
Hung**, 3F, No. 34, Lane 43, Donghu  
Rd., Neihu District, Taipei City (TW)

(\*\*) **Term:** **14 Years**

(21) **Appl. No.:** **29/207,540**

(22) **Filed:** **Jun. 16, 2004**

(51) **LOC (8) Cl.** ..... **30-03**

(52) **U.S. Cl.** ..... **D30/133**; 119/62; 119/55

(58) **Field of Search** ..... D30/133, 121,  
D30/128-130, 132; D6/480-4; 119/52.1,  
55, 61.5-61.56; 248/188; 312/204; 108/153.1-157.1

(56) **References Cited**

**U.S. PATENT DOCUMENTS**

3,121,419	A	*	2/1964	Gillespie	.....	119/62
3,176,656	A	*	4/1965	Bates	.....	119/62
4,699,089	A	*	10/1987	Teschke	.....	119/51.5
4,793,290	A	*	12/1988	O'Donnell	.....	119/62
D335,007	S	*	4/1993	McPhee	.....	D30/133

\* cited by examiner

*Primary Examiner*—Alan P. Douglas  
*Assistant Examiner*—Susan M Lee

(74) *Attorney, Agent, or Firm*—Troxell Law Office, PLLC

(57) **CLAIM**

The ornamental design for pet feeds dispenser, as shown and described.

**DESCRIPTION**

FIG. 1 is a perspective view showing our new pet feeds dispenser;

FIG. 2 is a left side elevational view thereof;

FIG. 3 is a right side elevational view thereof;

FIG. 4 is a front elevational view thereof;

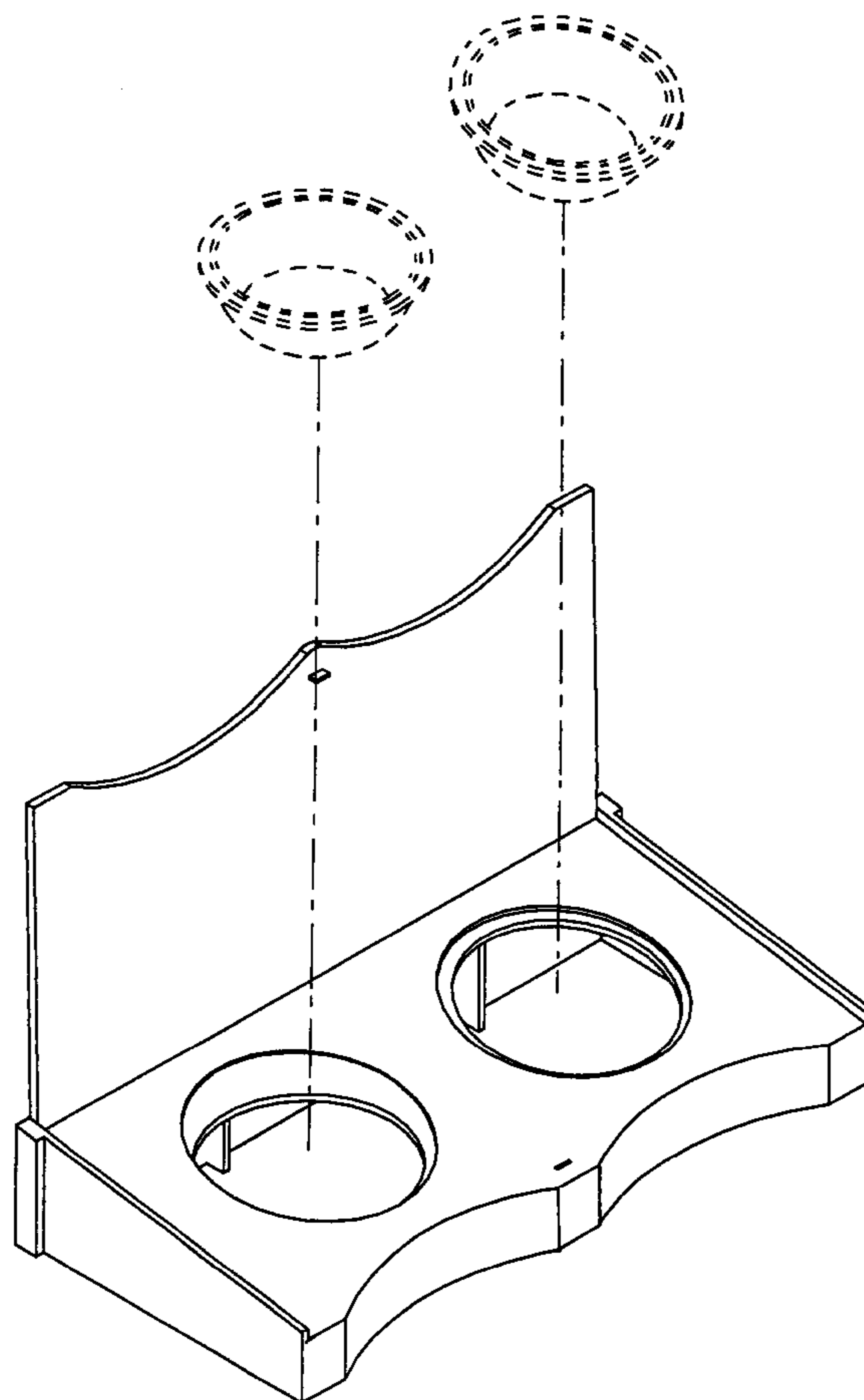
FIG. 5 is a rear elevational view thereof;

FIG. 6 is a top plan view thereof;

FIG. 7 is a bottom plan view thereof; and,

FIG. 8 is an illustrative view of the new pet feeds dispenser showing my new design in a position of use. The broken line showing of the new pet feeds dispenser in FIG. 8 is for illustrative purposes only and forms no part of the claimed design.

**1 Claim, 8 Drawing Sheets**



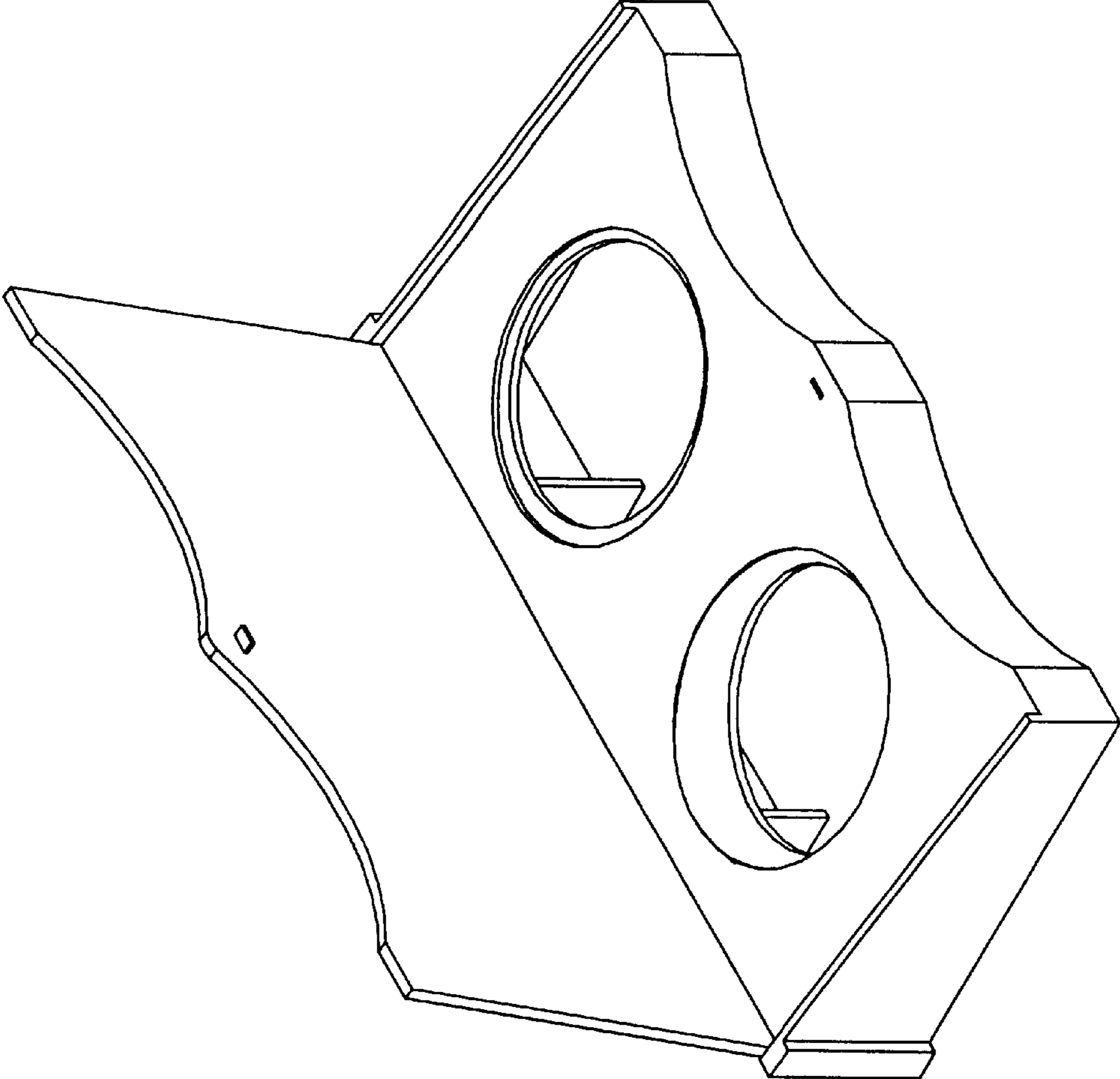


FIG.1

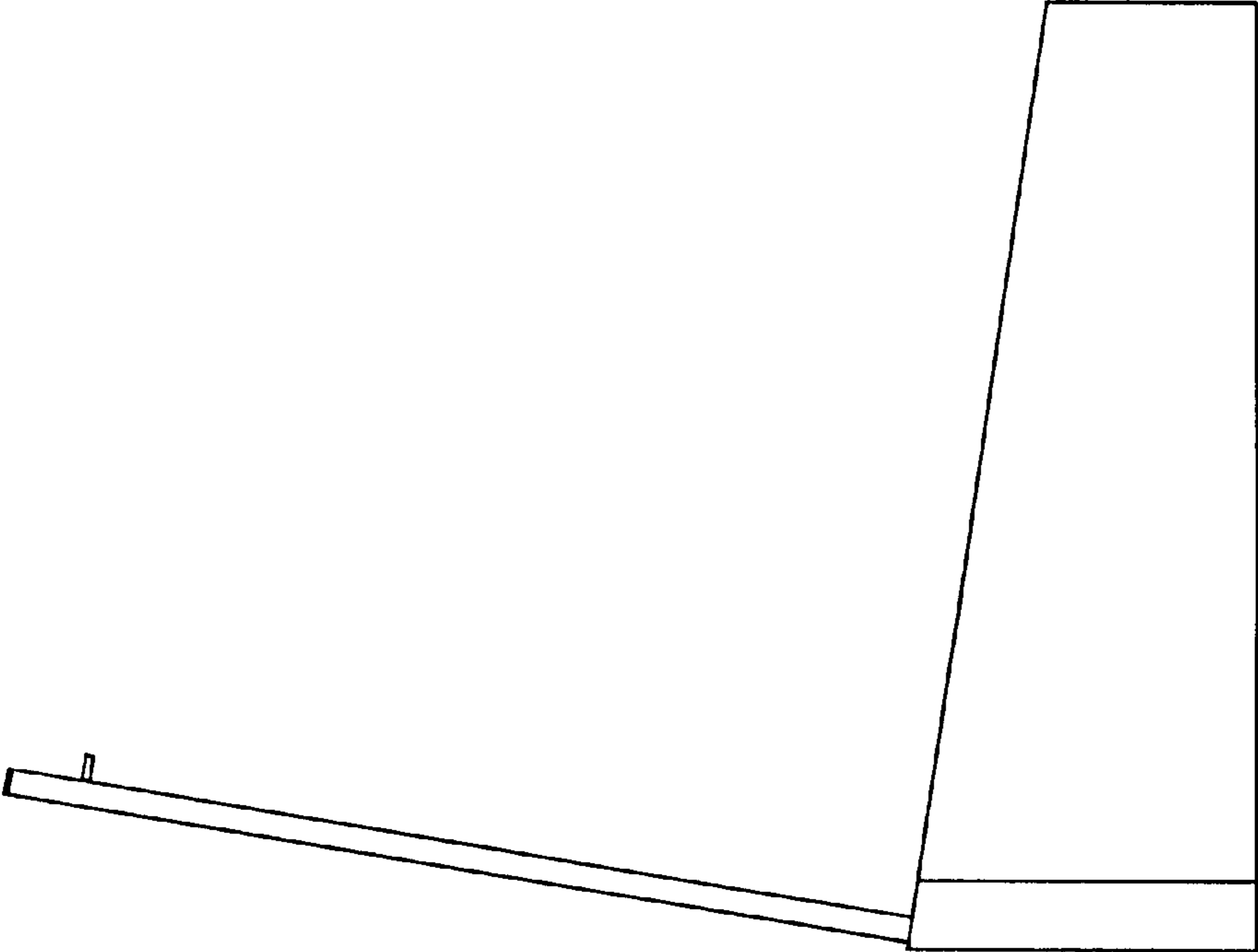


FIG. 2

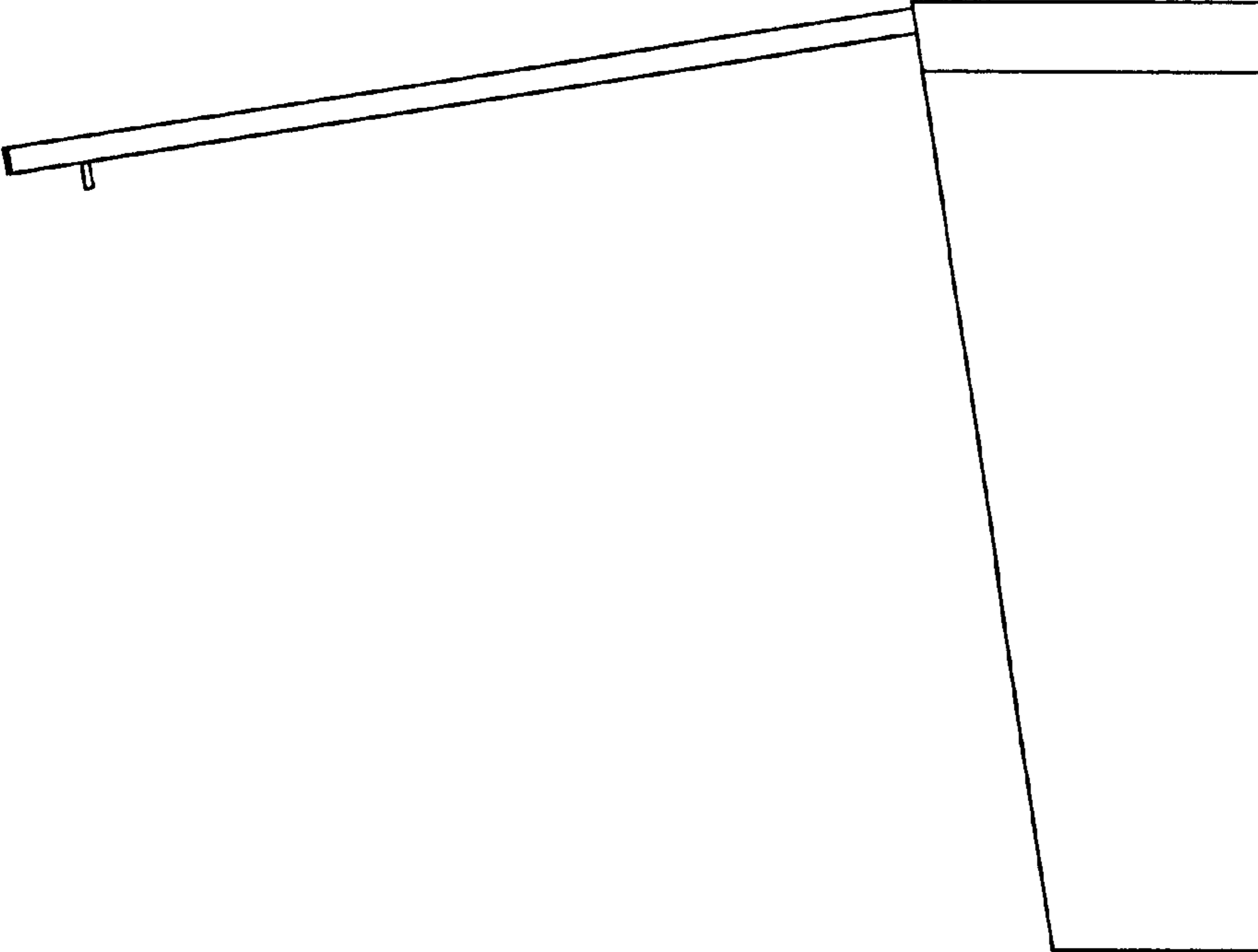


FIG.3

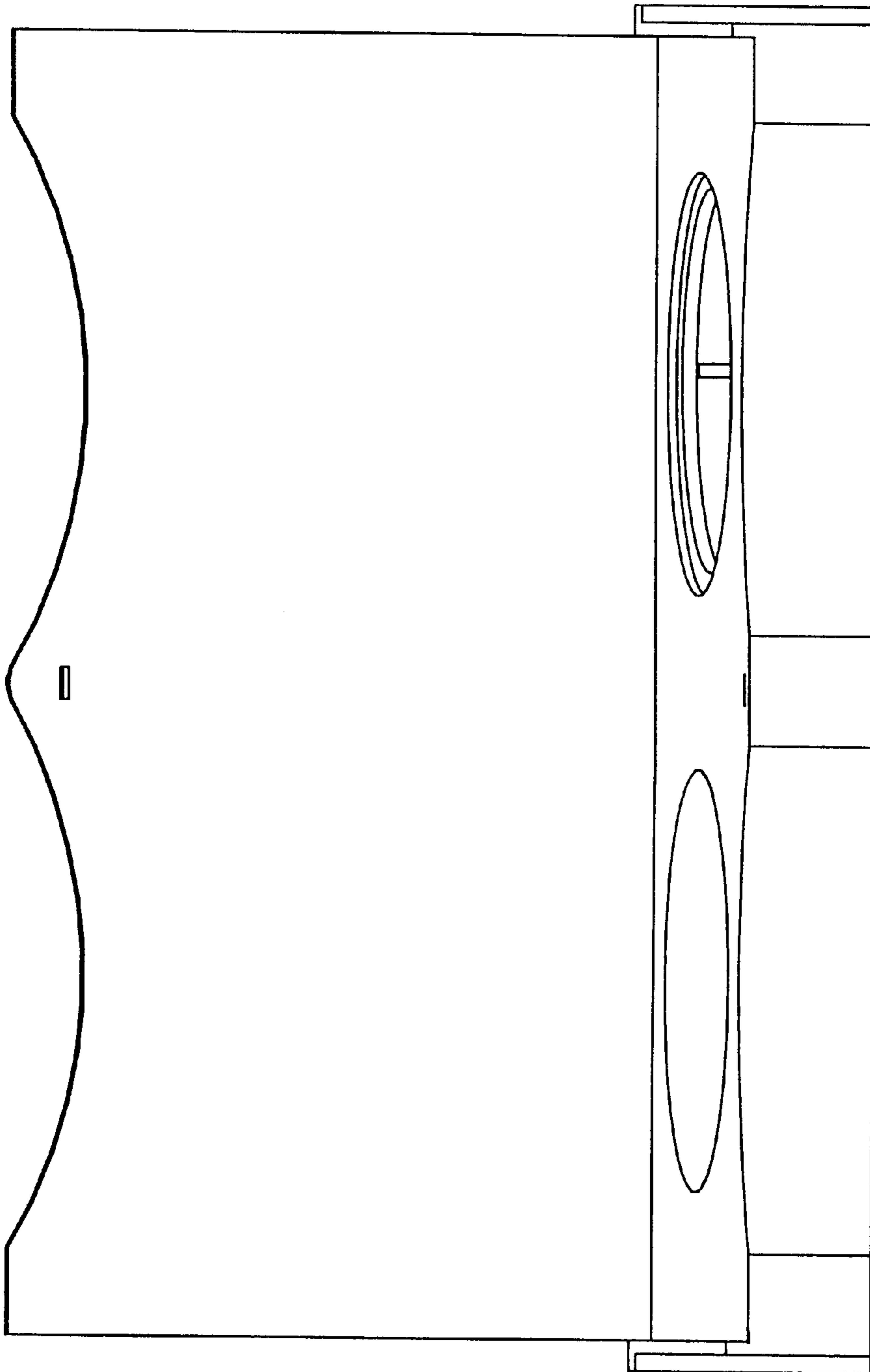


FIG.4

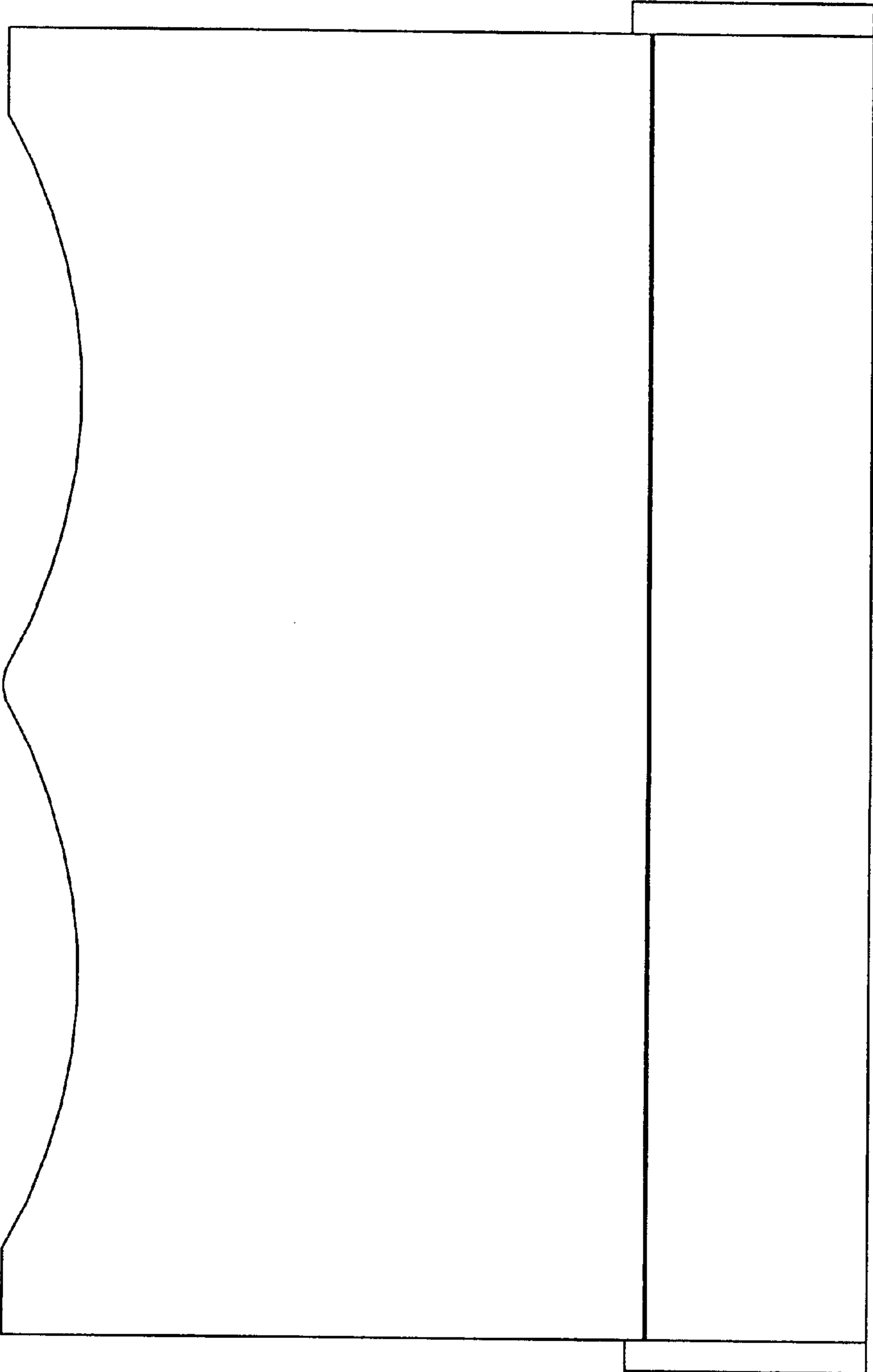


FIG.5

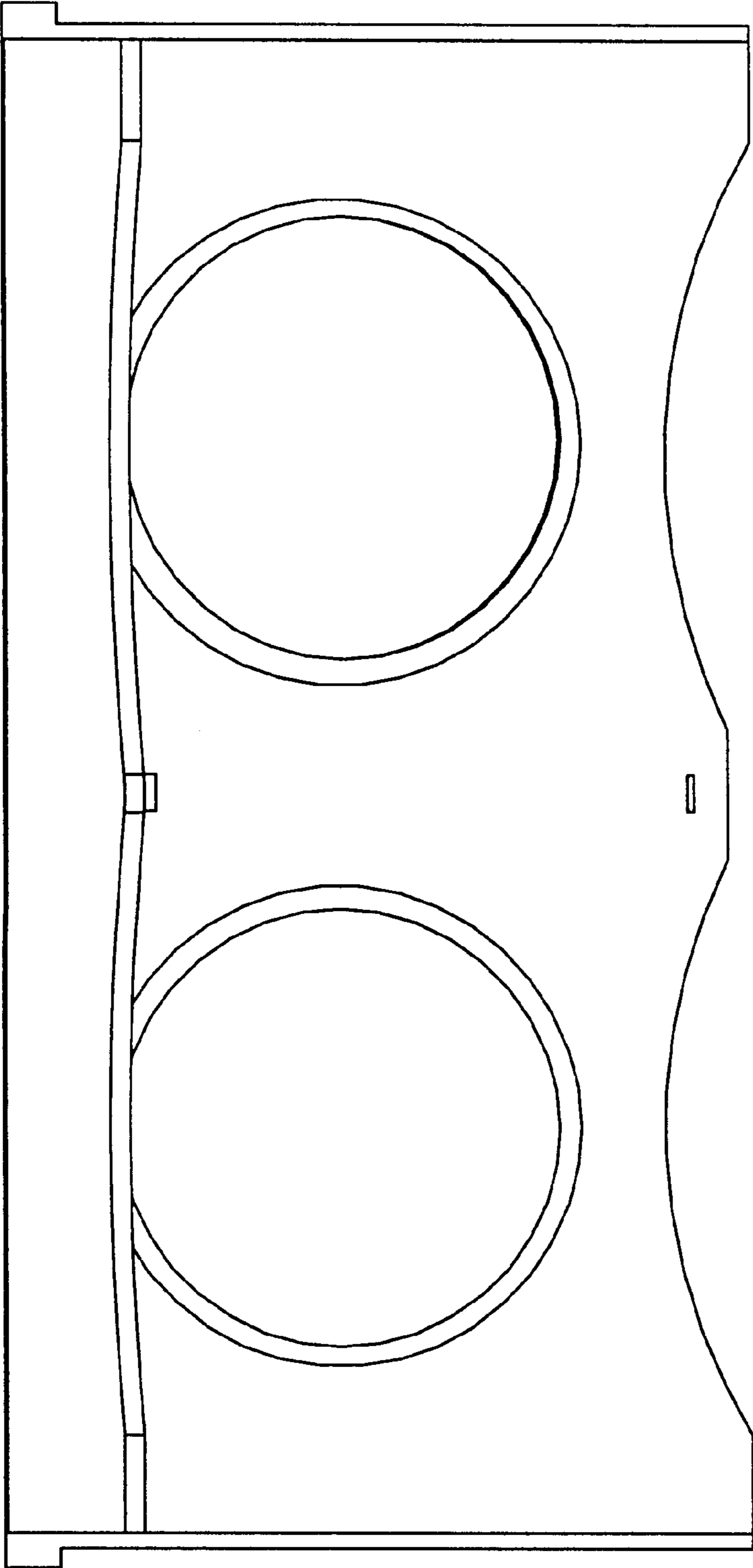


FIG.6

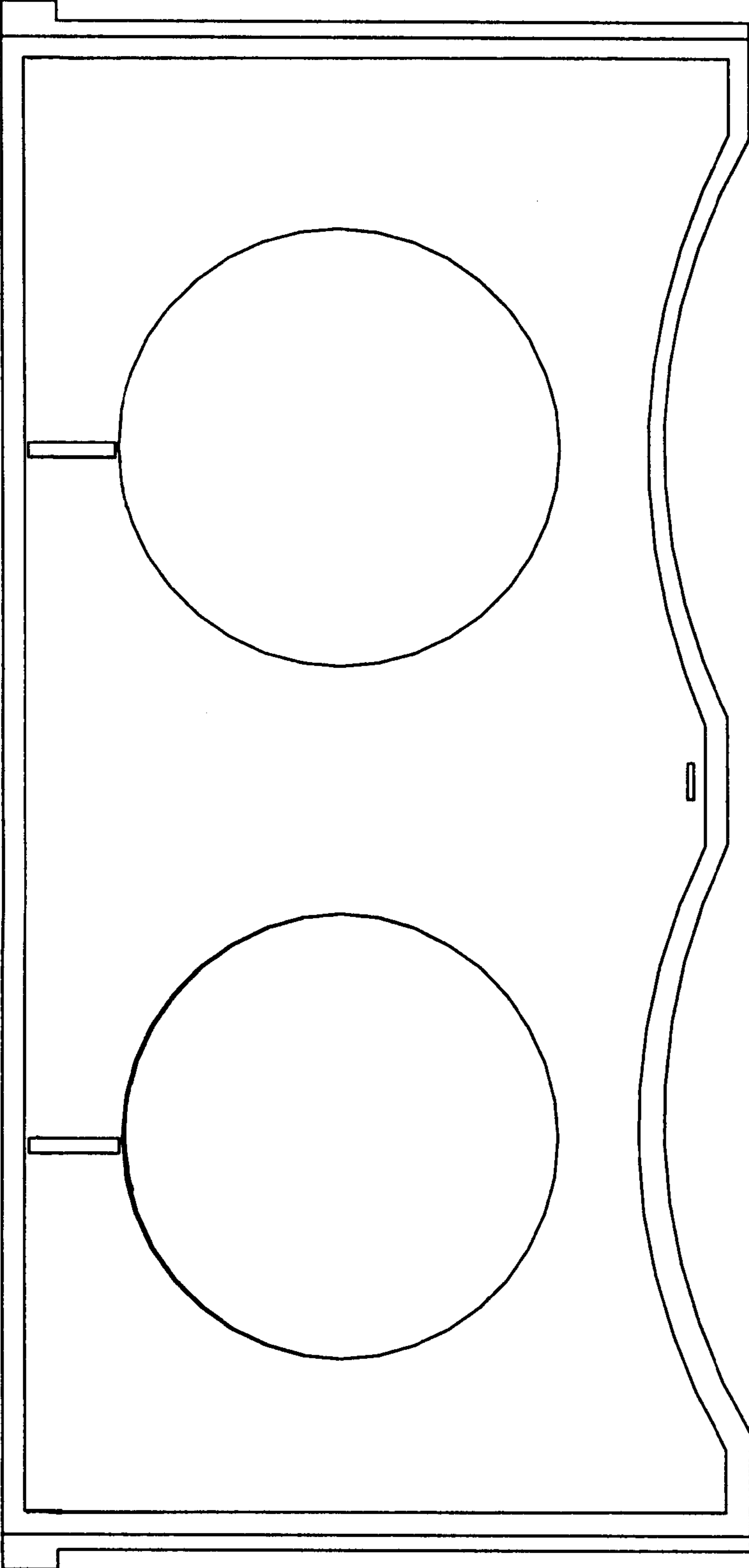


FIG.7



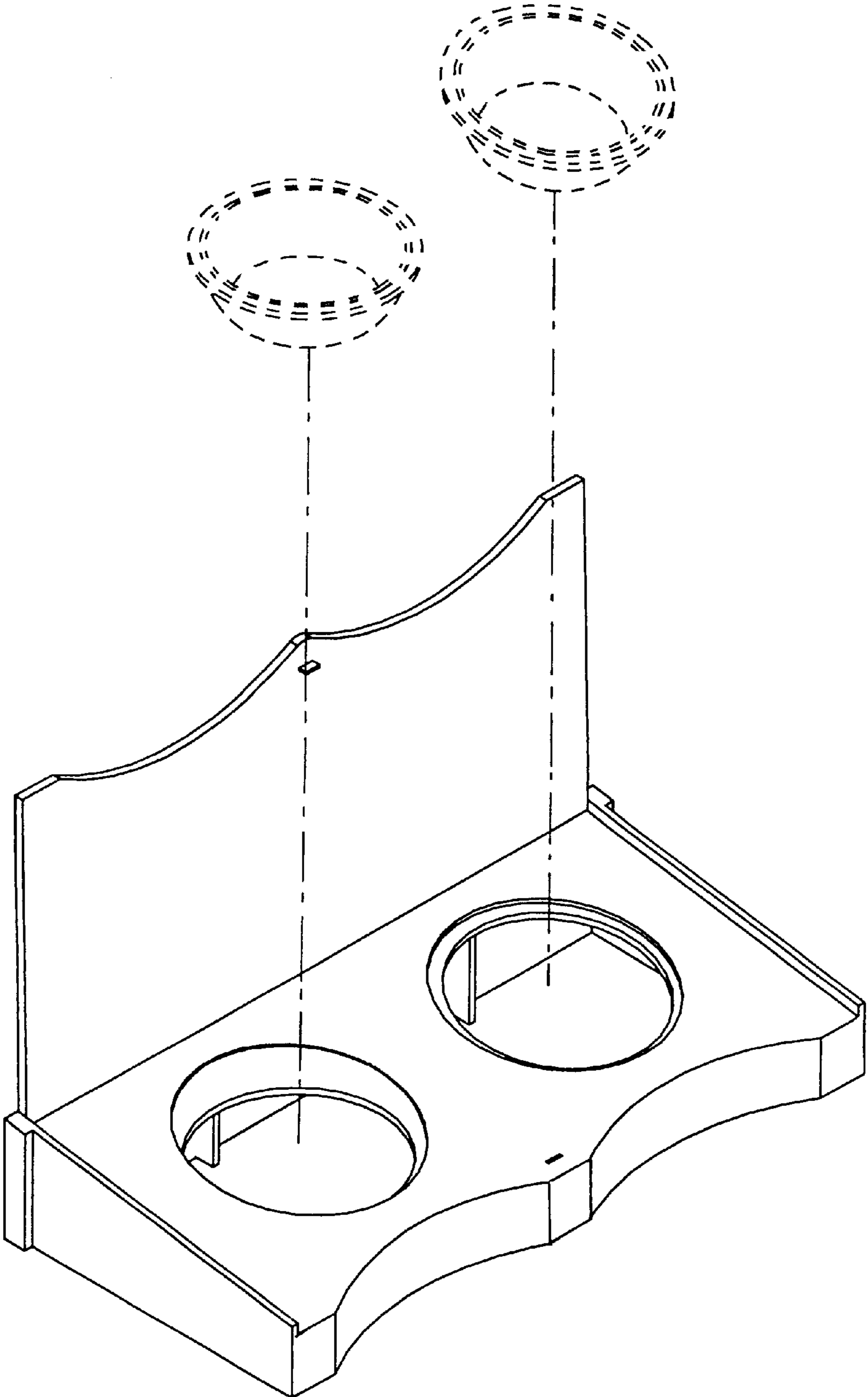


FIG.8