

US00D506290S

(12) **United States Design Patent**  
**Longoni**

(10) **Patent No.:** **US D506,290 S**  
(45) **Date of Patent:** **\*\* Jun. 14, 2005**

(54) **FLOSS DISPENSER**  
(75) **Inventor:** **Elena Longoni, Trieste (IT)**  
(73) **Assignee:** **Profimed S.r.l., Milan (IT)**  
(\*\*) **Term:** **14 Years**  
(21) **Appl. No.:** **29/215,025**  
(22) **Filed:** **Oct. 14, 2004**

(30) **Foreign Application Priority Data**

Apr. 15, 2004 (EP) ..... 000161815

(51) **LOC (8) Cl.** ..... **28-03**  
(52) **U.S. Cl.** ..... **D28/66**  
(58) **Field of Search** ..... D28/65-68; D19/67;  
D9/419; D3/205, 203.1; 206/63.5; 242/137,  
137.1, 138; 225/80, 85, 47

(56) **References Cited**

**U.S. PATENT DOCUMENTS**

1,454,429 A \* 5/1923 Dresser ..... 242/138

2,476,593 A \* 7/1949 Gerbing ..... 225/25  
3,941,333 A \* 3/1976 Carpenter et al. .... 242/338.1  
D266,279 S \* 9/1982 Strother ..... D28/66  
4,706,843 A \* 11/1987 Thornton ..... 221/48  
D305,696 S \* 1/1990 Woodman ..... D28/66  
4,998,685 A \* 3/1991 Spencer ..... 242/137  
5,062,580 A \* 11/1991 Meagher ..... 242/125.2  
D323,531 S \* 1/1992 Fortune ..... D19/69  
5,133,980 A \* 7/1992 Ream et al. .... 426/115  
D399,603 S \* 10/1998 Hemsley et al. .... D28/66

\* cited by examiner

*Primary Examiner*—Lucy Lieberman

(74) *Attorney, Agent, or Firm*—Young & Thompson

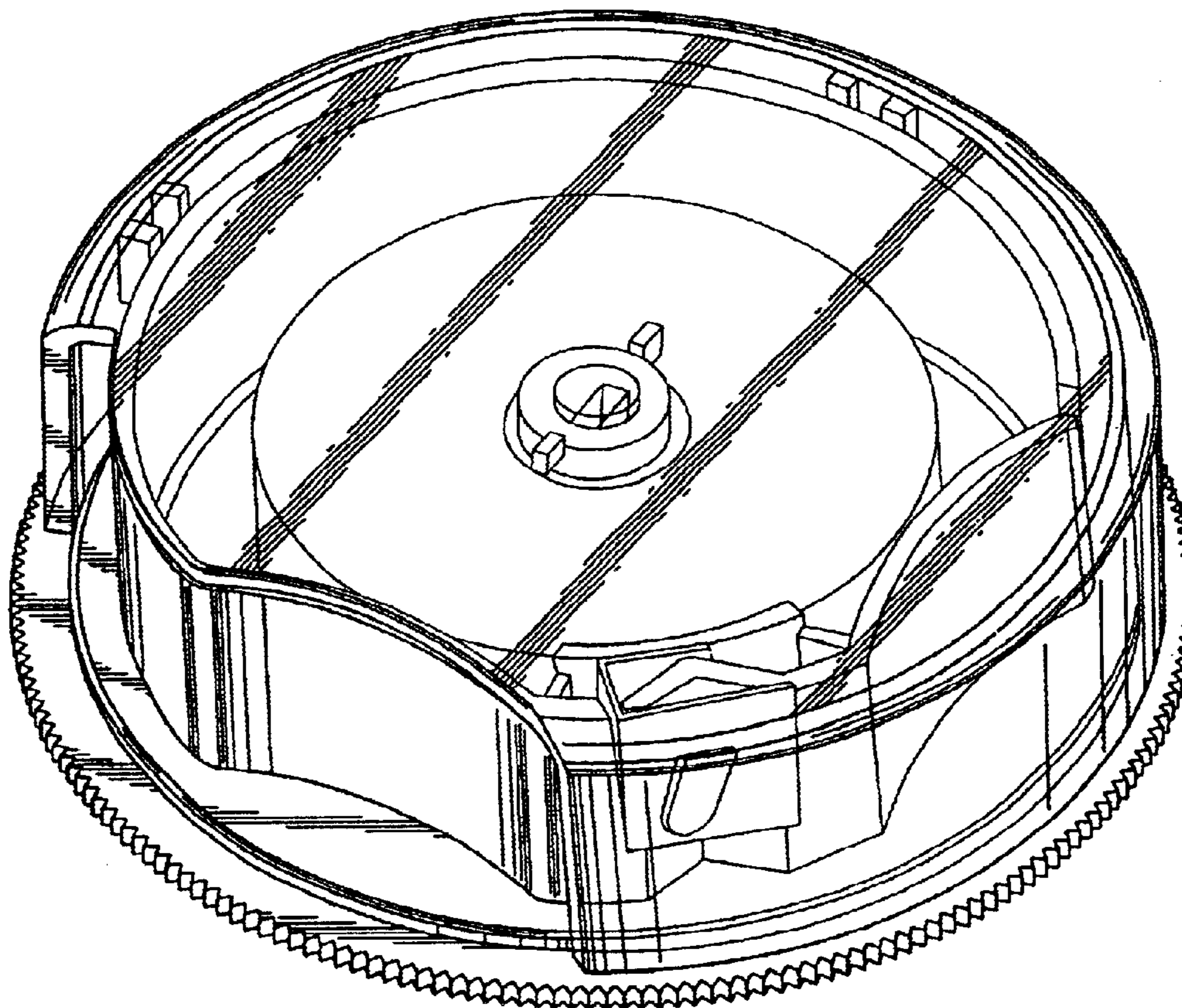
(57) **CLAIM**

The ornamental design for a floss dispenser, as shown.

**DESCRIPTION**

FIG. 1 is a top, front and side perspective view of a floss dispenser, showing my new design; FIG. 2 is a top plan view thereof; and, FIG. 3 is a bottom plan view thereof.

**1 Claim, 3 Drawing Sheets**



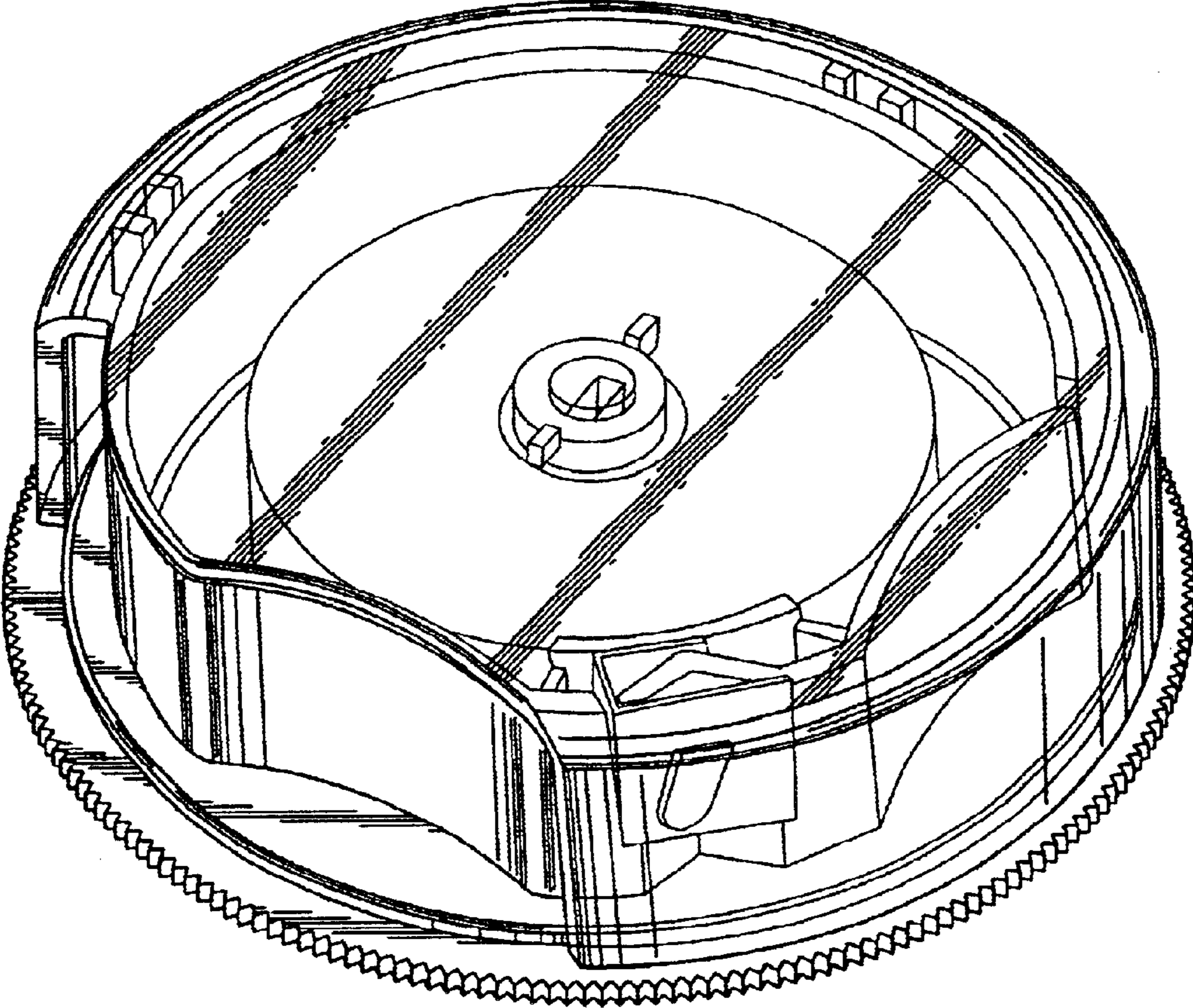


FIG. 1

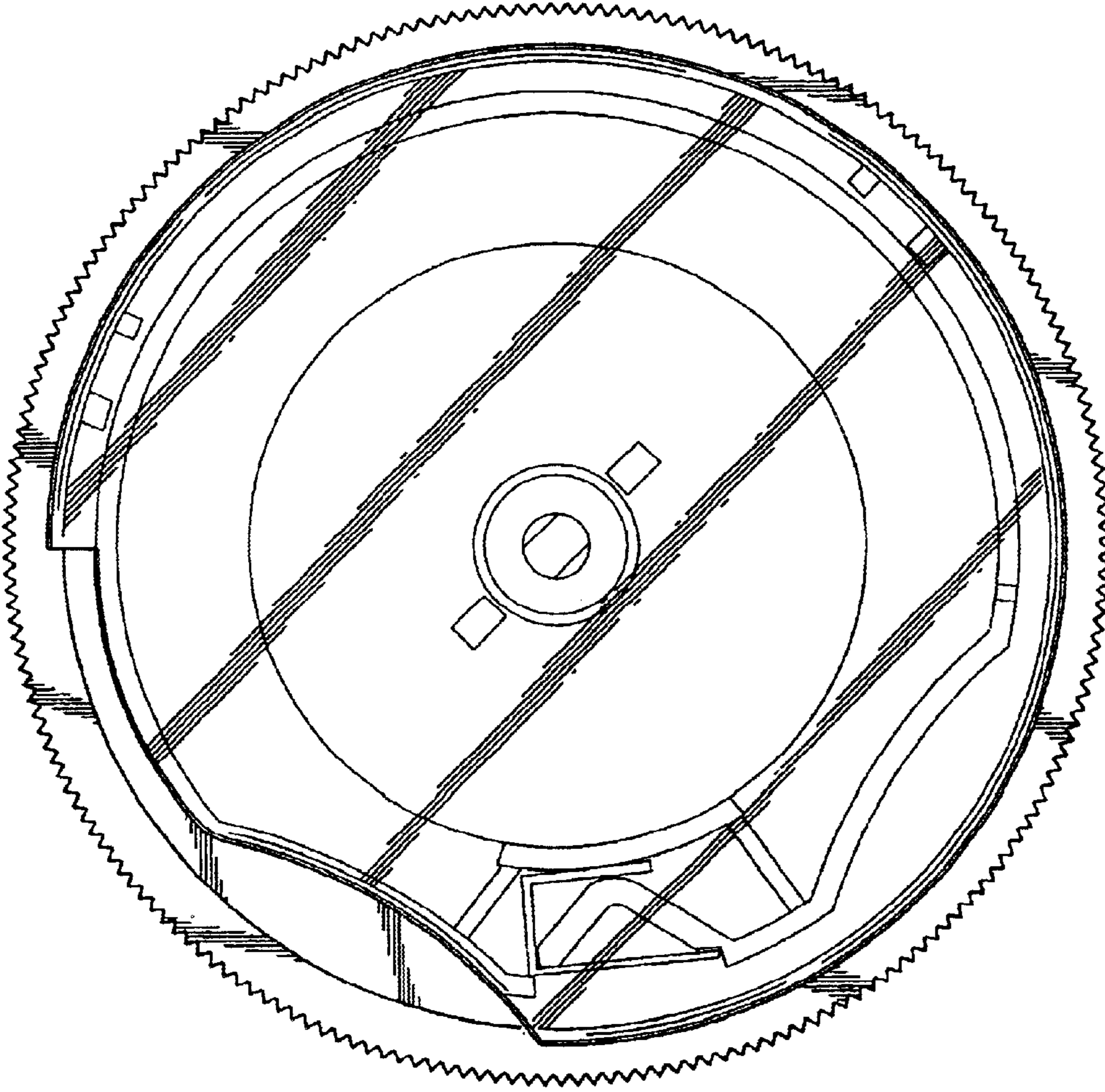


FIG. 2

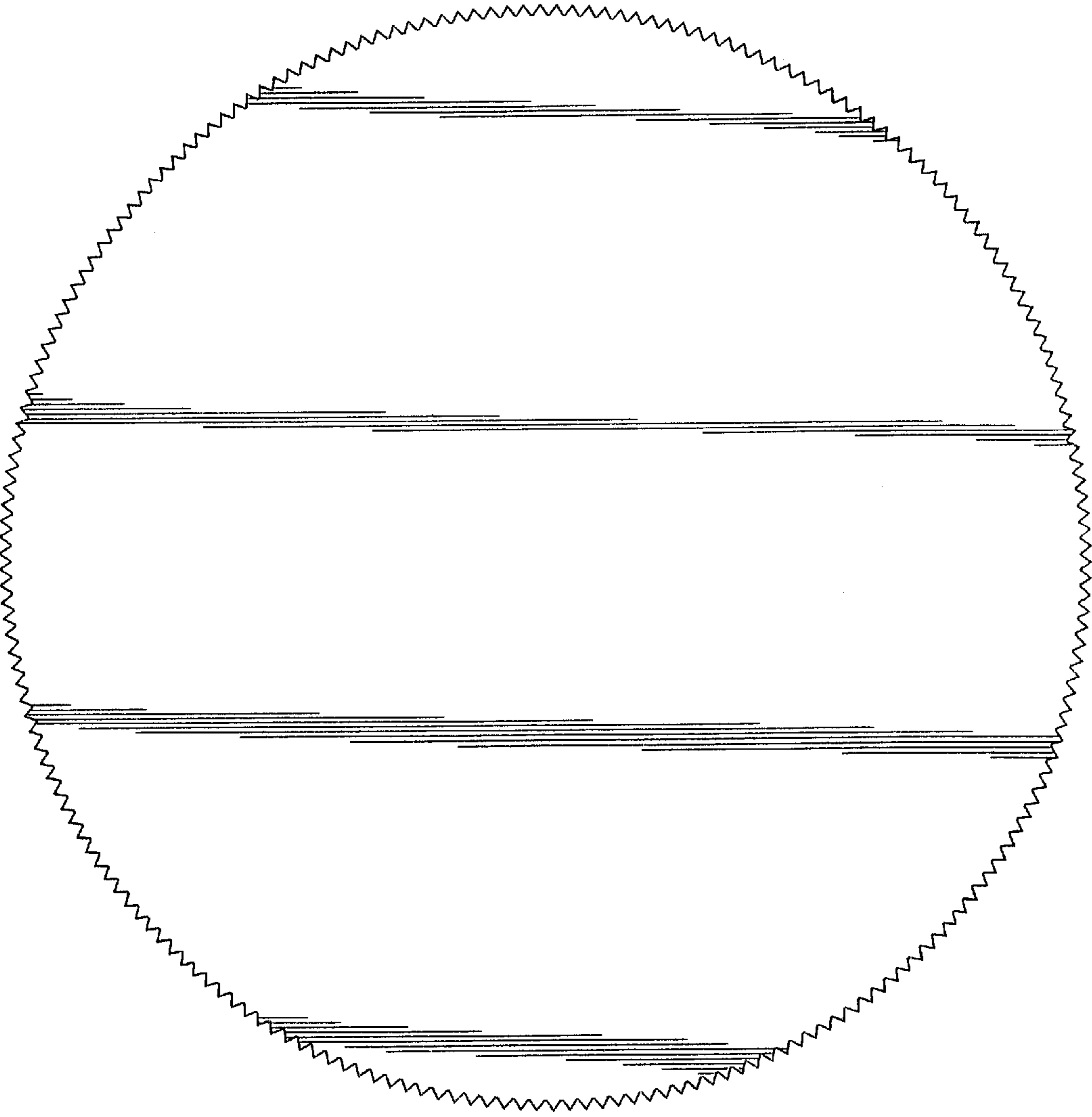


FIG. 3