

US00D506287S

(12) **United States Design Patent**  
**Angeletta**

(10) **Patent No.:** **US D506,287 S**  
(45) **Date of Patent:** **\*\* Jun. 14, 2005**

(54) **PALM-HELD LIQUID AND LOTION APPLICATOR**

(76) Inventor: **Joseph G. Angeletta**, 418 Fifth St.,  
Mamaroneck, NY (US) 10543

(\*\*) Term: **14 Years**

(21) Appl. No.: **29/199,163**

(22) Filed: **Feb. 10, 2004**

(51) **LOC (8) Cl.** ..... **28-02**

(52) **U.S. Cl.** ..... **D28/7; D4/114; D4/125**

(58) **Field of Search** ..... D28/7, 63; 132/320;  
D4/114, 125, 127, 130, 137; D21/608;  
D24/119; D32/43, 45, 51; D9/602-604,  
723, 725; D3/271.2; 401/6, 196, 202-207,  
261-266, 139; 15/210.1, 244.1, 209.1, 104.93

(56) **References Cited**

**U.S. PATENT DOCUMENTS**

D153,708 S	*	4/1949	Leaf	.....	D21/608
D159,127 S	*	6/1950	Allen et al.	.....	D21/608
2,718,653 A	*	9/1955	Delsener	.....	15/231
D254,222 S	*	2/1980	MacGregor	.....	D24/214
D281,291 S	*	11/1985	Schuler, II	.....	D4/137
D405,925 S	*	2/1999	Badillo	.....	D28/63
D436,845 S	*	1/2001	Lin	.....	D9/604
D441,088 S	*	4/2001	Raffo	.....	D24/214
6,234,986 B1	*	5/2001	Raffo et al.	.....	601/72
D447,280 S	*	8/2001	Angeletta	.....	D28/7
D469,215 S	*	1/2003	Angeletta	.....	D28/7

\* cited by examiner

*Primary Examiner*—Lucy Lieberman  
(74) *Attorney, Agent, or Firm*—Scully, Scott, Murphy & Presser

(57) **CLAIM**

The ornamental design for a palm-held liquid and lotion applicator, as shown and described.

**DESCRIPTION**

FIG. 1 illustrates a side elevation of a palm-held liquid and lotion applicator showing my new design, the opposite side being a mirror image thereof except for the threading on the neck;

FIG. 2 illustrates front view;

FIG. 3 illustrates a bottom view;

FIG. 4 illustrates a top view;

FIG. 5 illustrates a side elevation of a second embodiment, which differs from the first embodiment in the addition of a replaceable foam applicator as shown;

FIG. 6 illustrates a bottom plan view of FIG. 5;

FIG. 7 illustrates a side view of a third embodiment, which differs from the first embodiment in the addition of a different replaceable foam applicator as shown;

FIG. 8 illustrates a bottom plan view of FIG. 7;

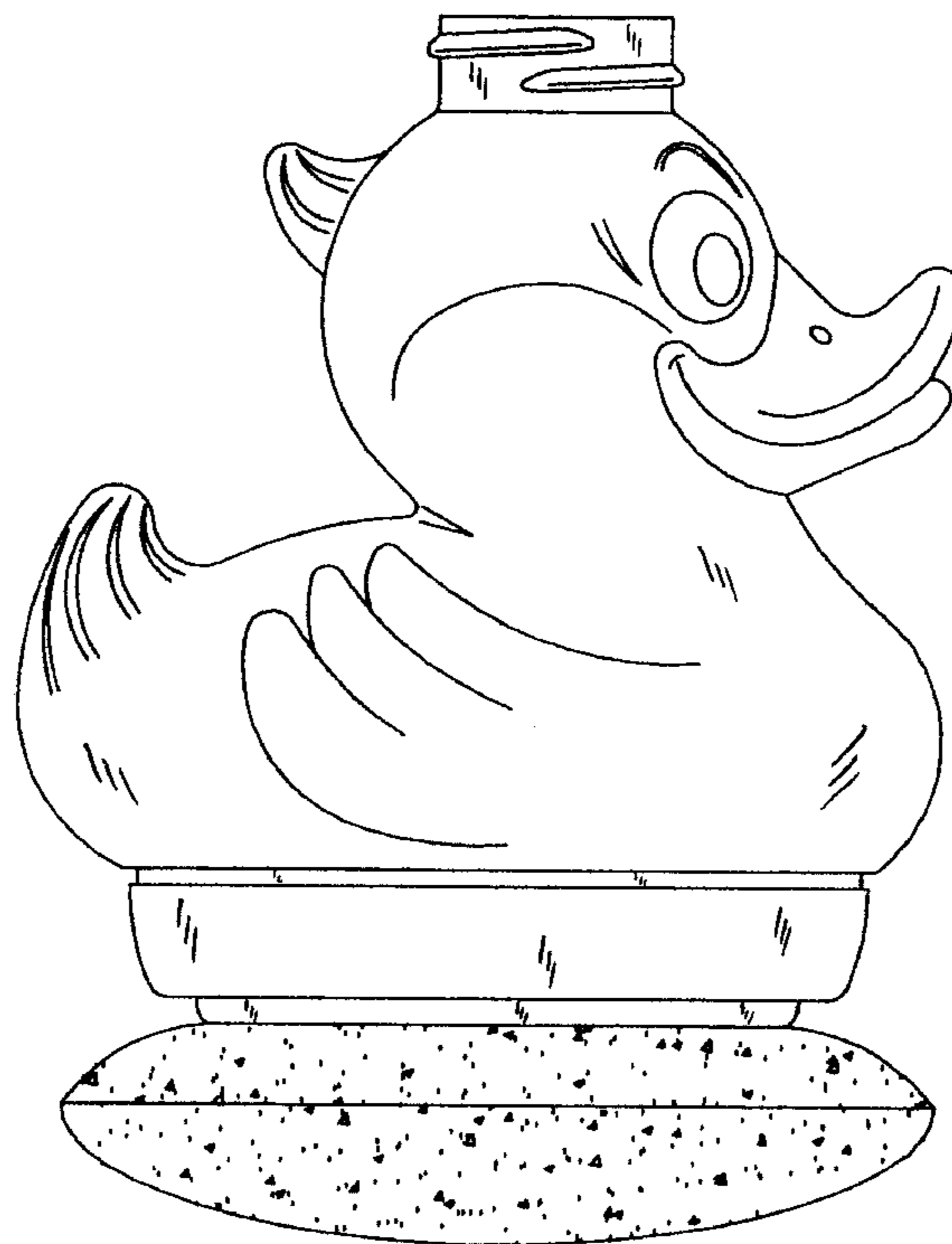
FIG. 9 illustrates a side view of a fourth embodiment, which differs from the first embodiment in the addition of a brush attachment as shown;

FIG. 10 illustrates a bottom plan view of FIG. 9;

FIG. 11 illustrates a side view of a fifth embodiment, which differs from the first embodiment in the addition of a cover as shown; and,

FIG. 12 is a bottom plan view of FIG. 11.

**1 Claim, 5 Drawing Sheets**



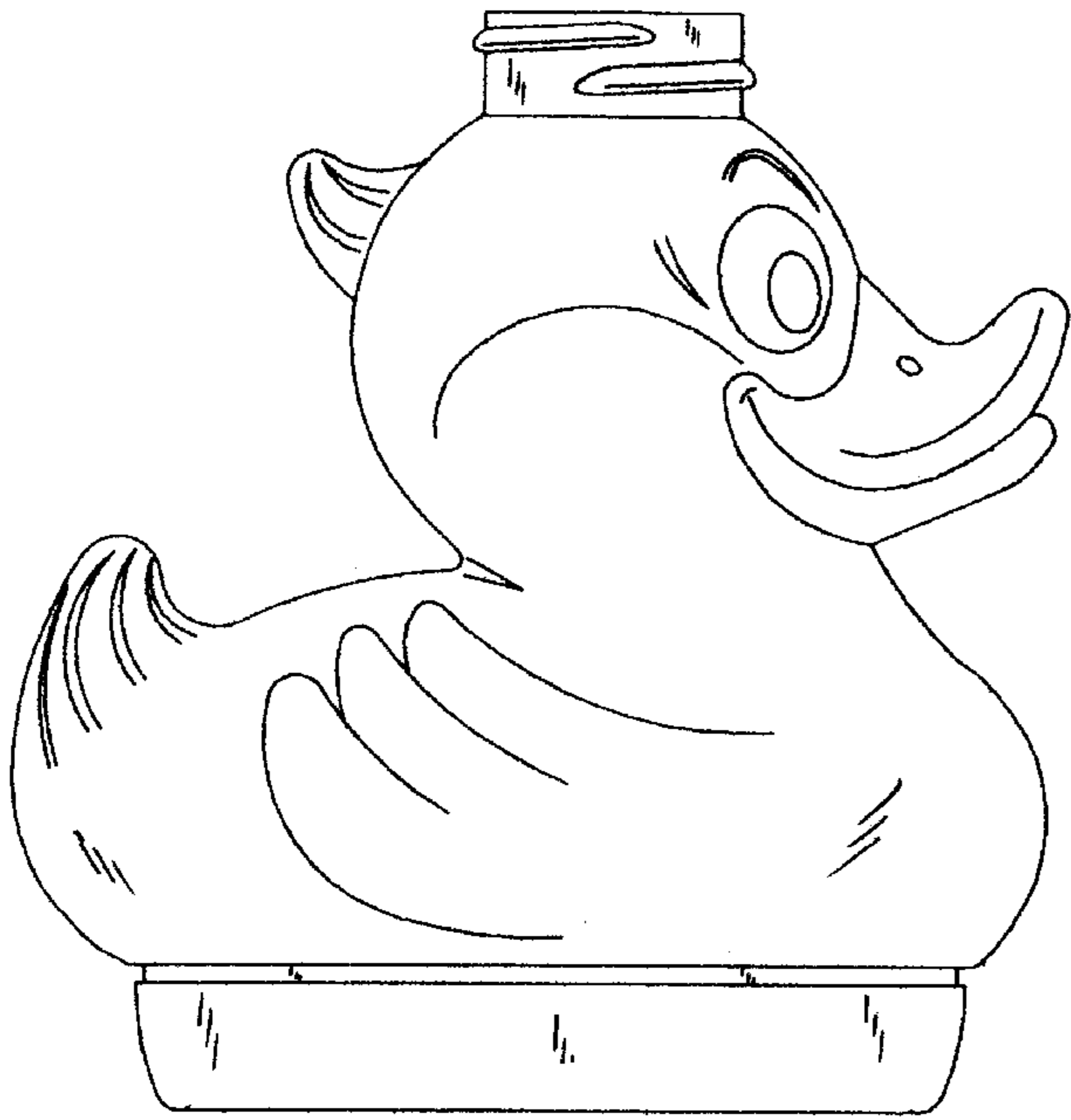


FIG. 1

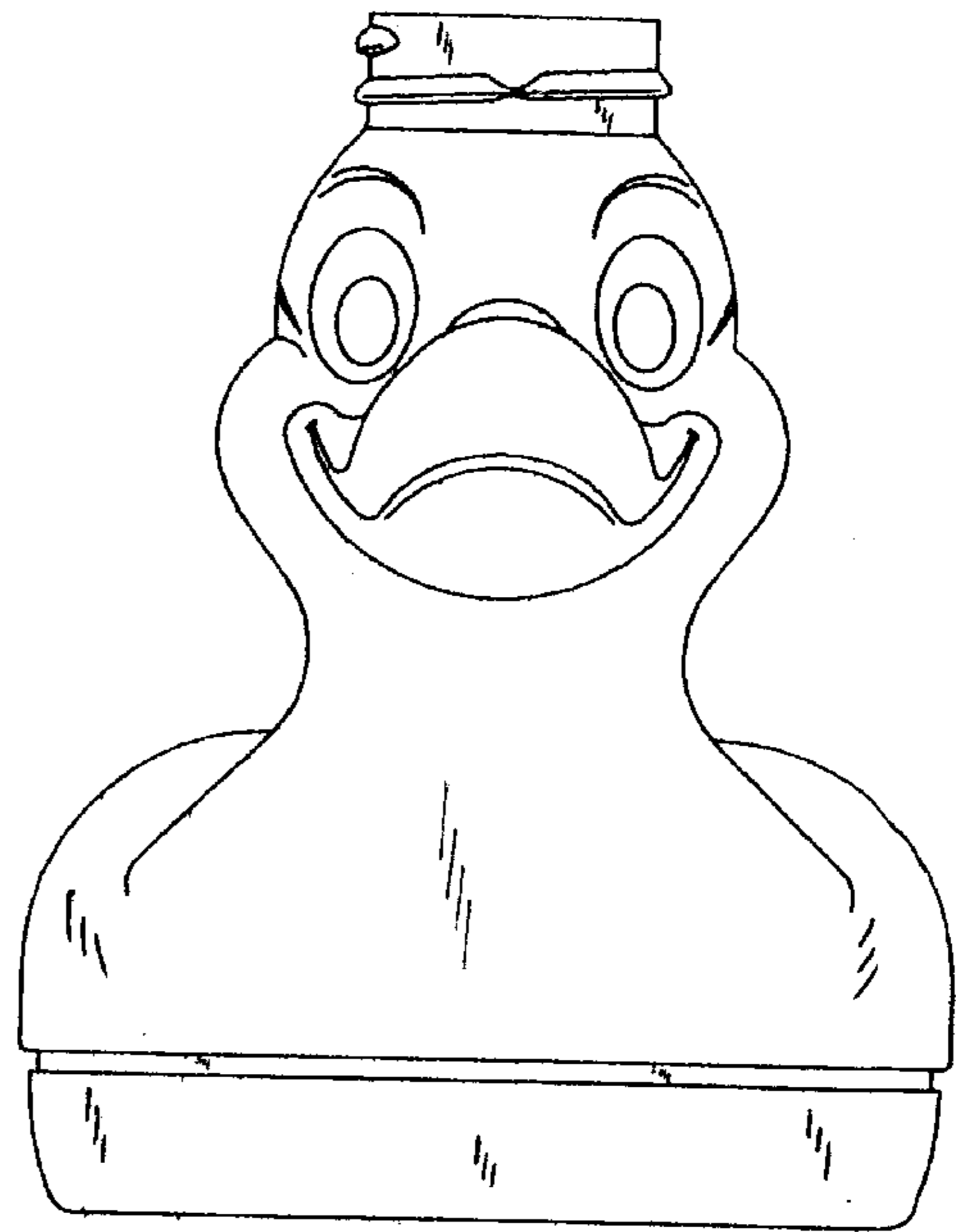


FIG. 2

FIG. 3

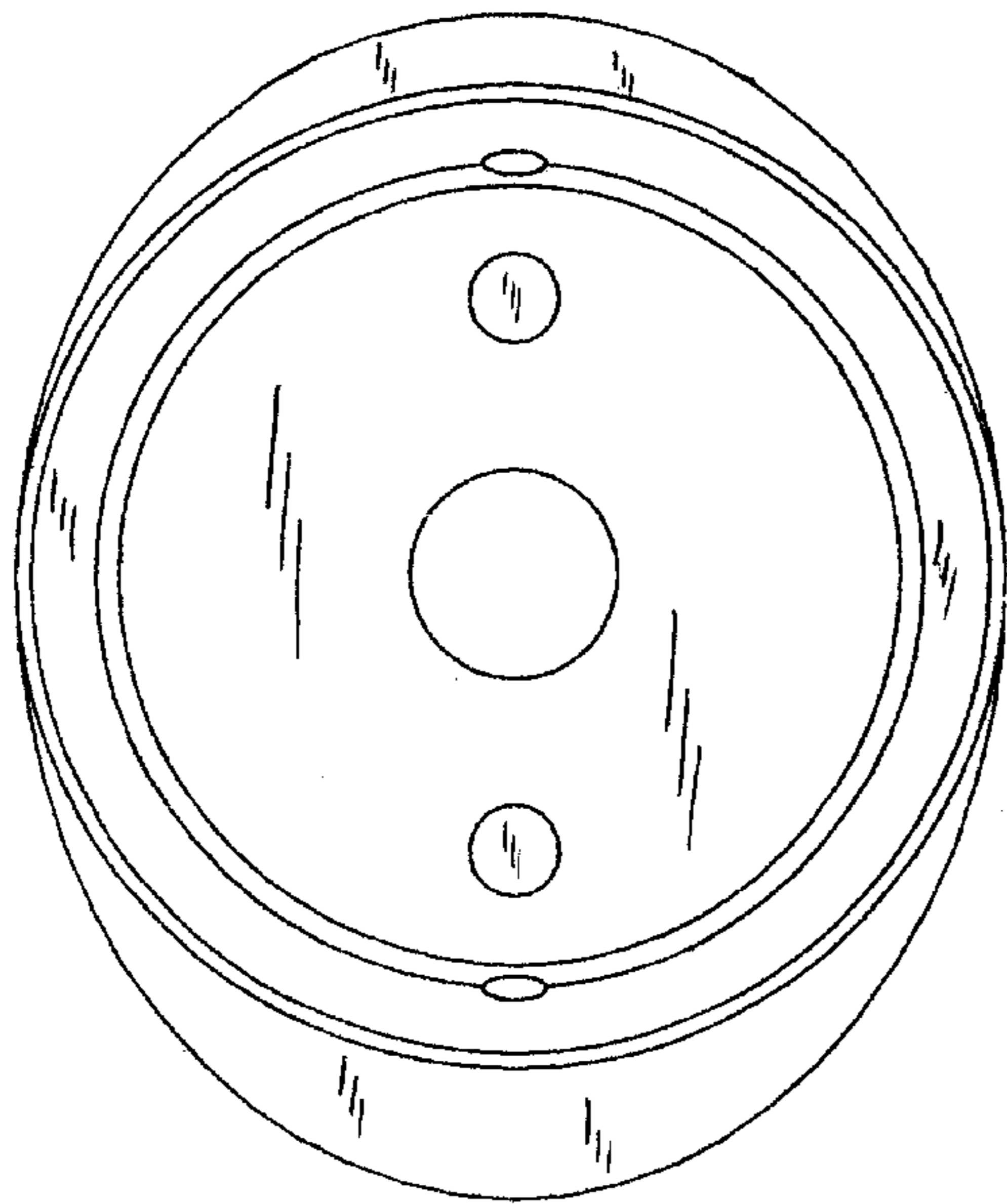
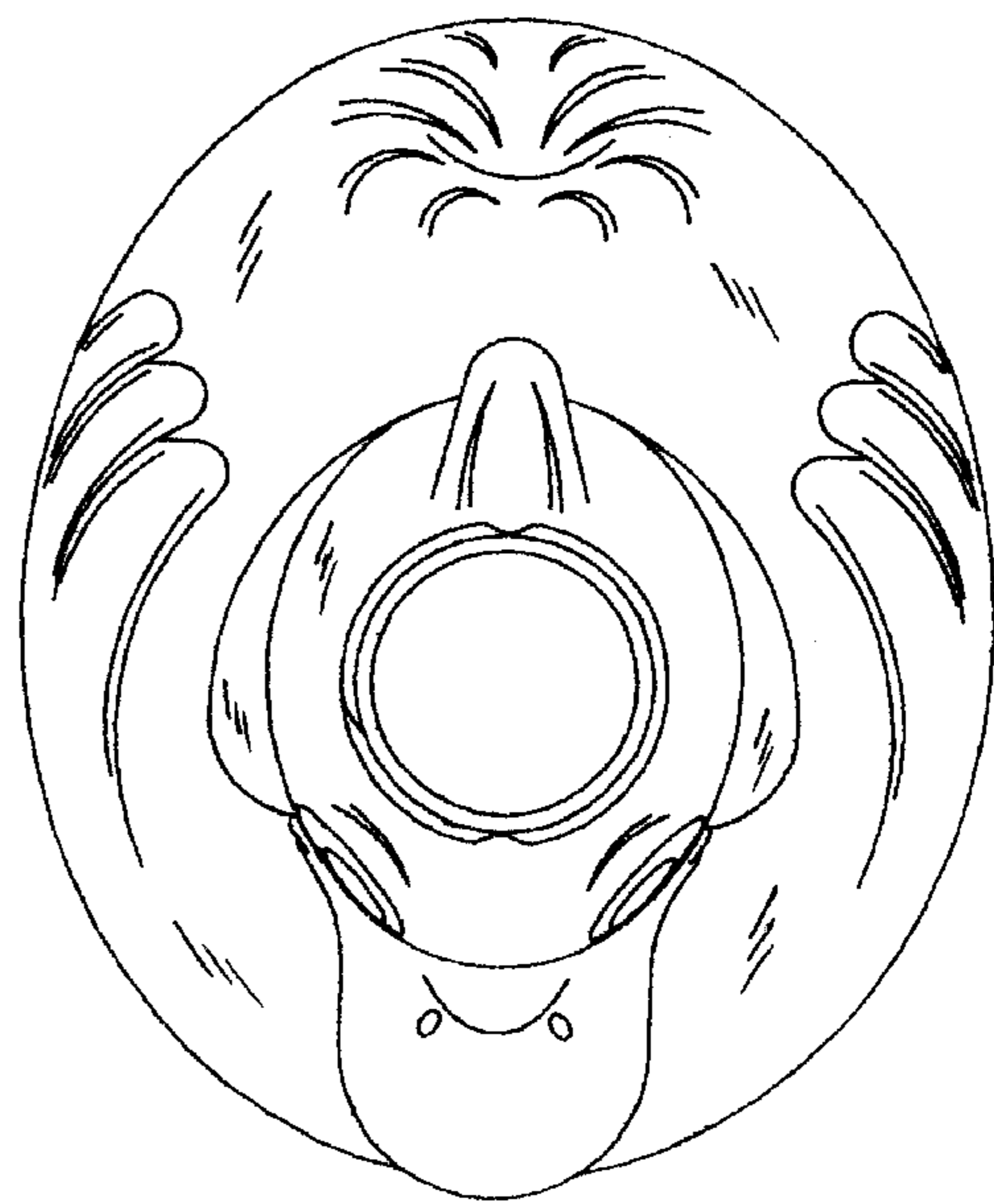


FIG. 4



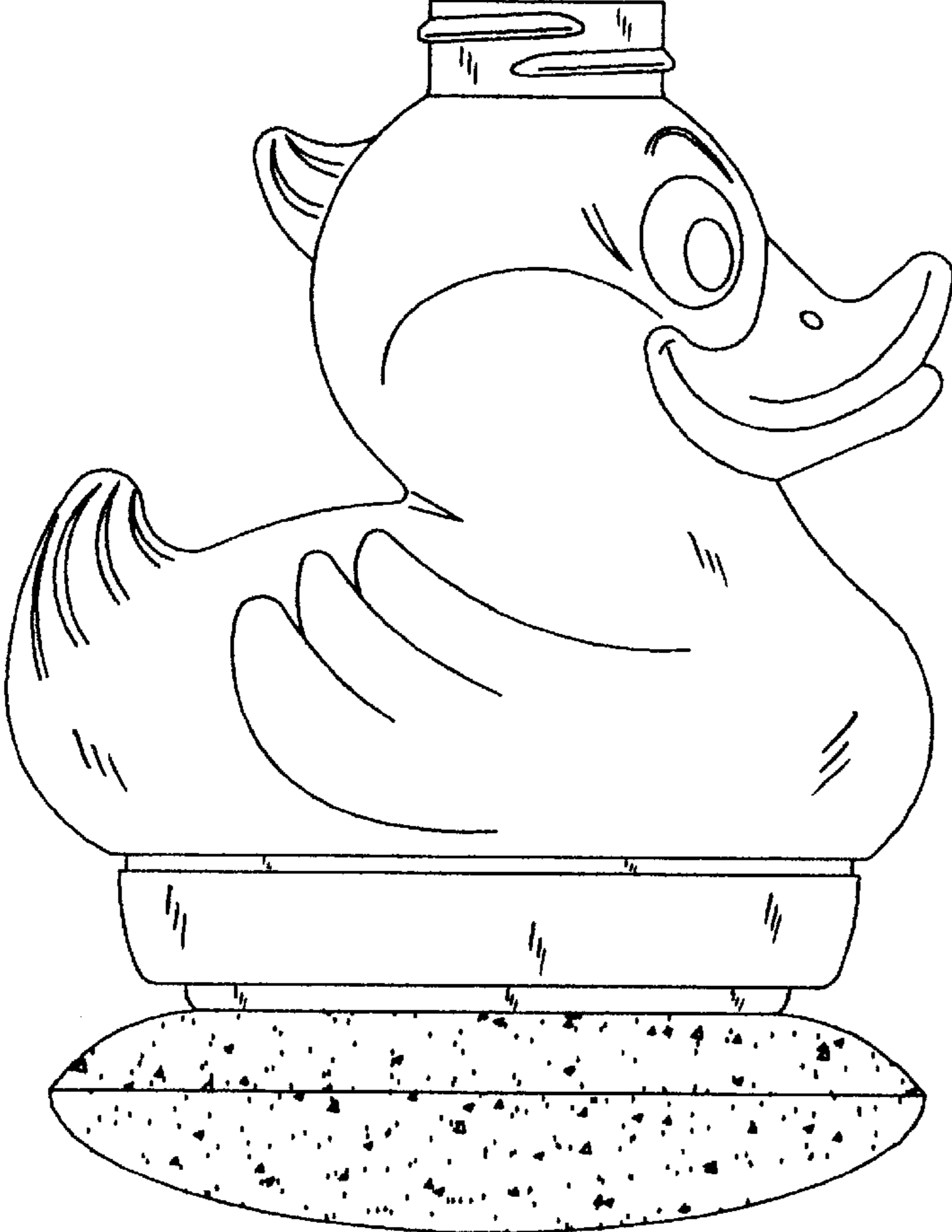


FIG. 5

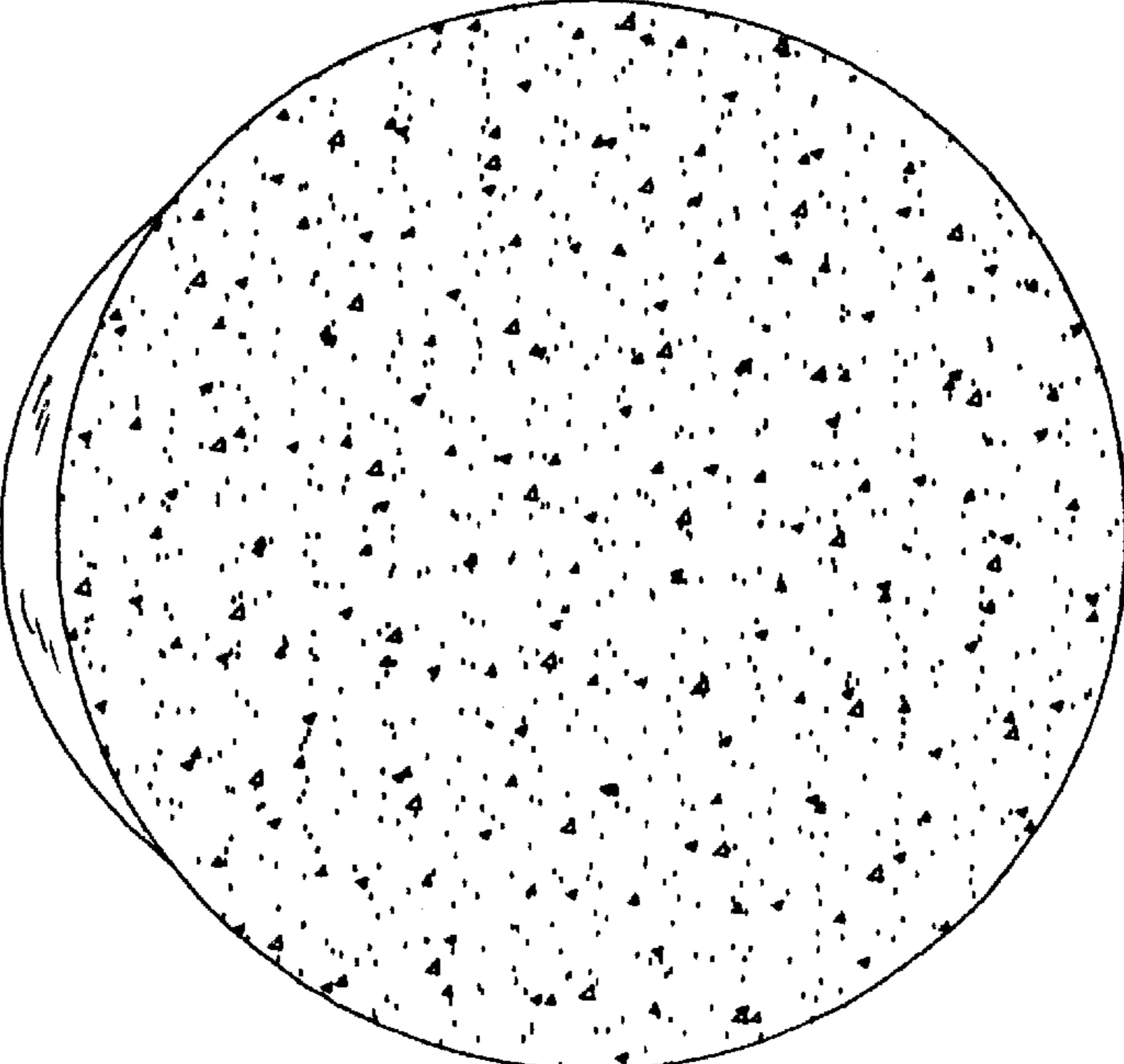


FIG. 6

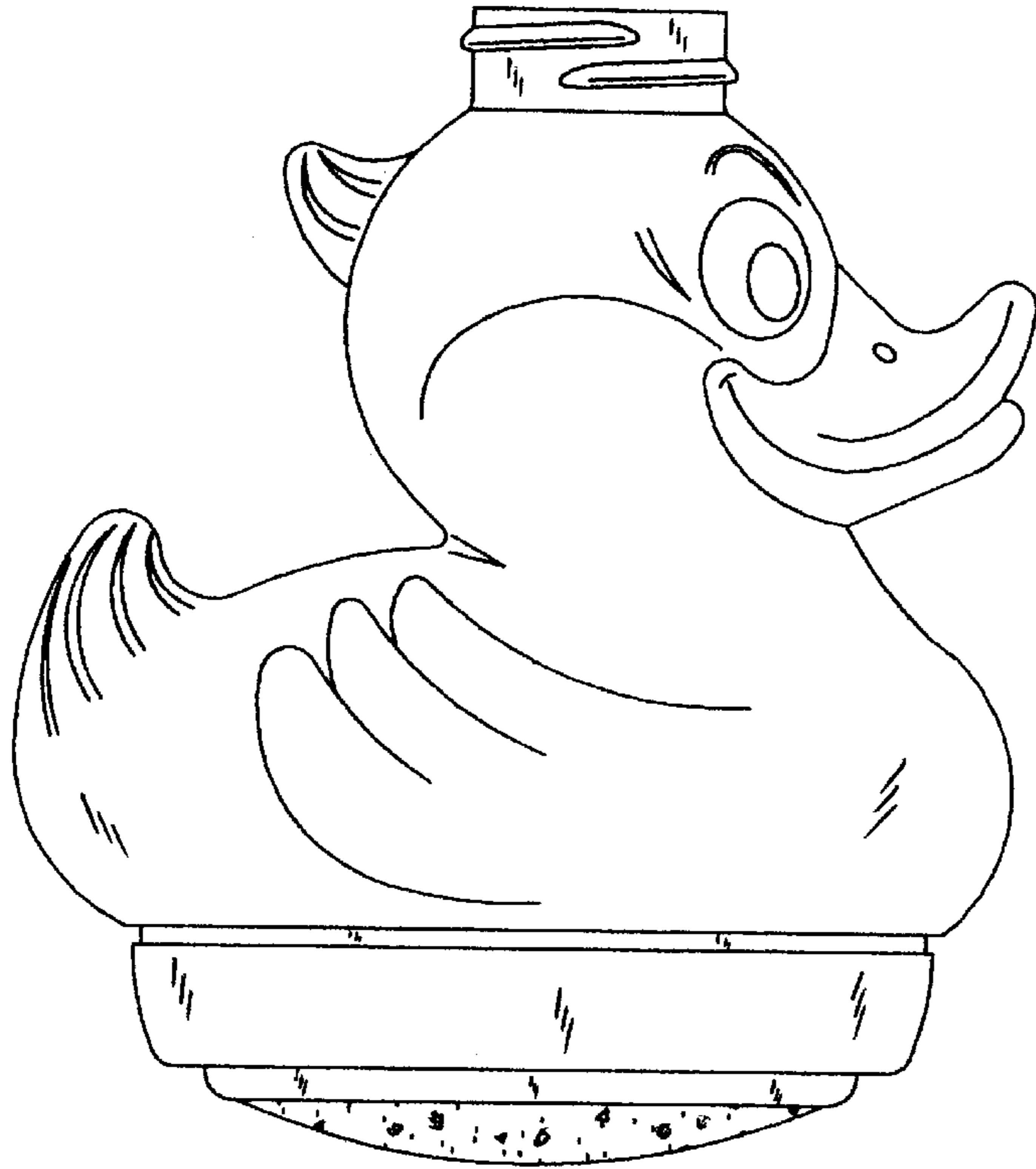


FIG. 7

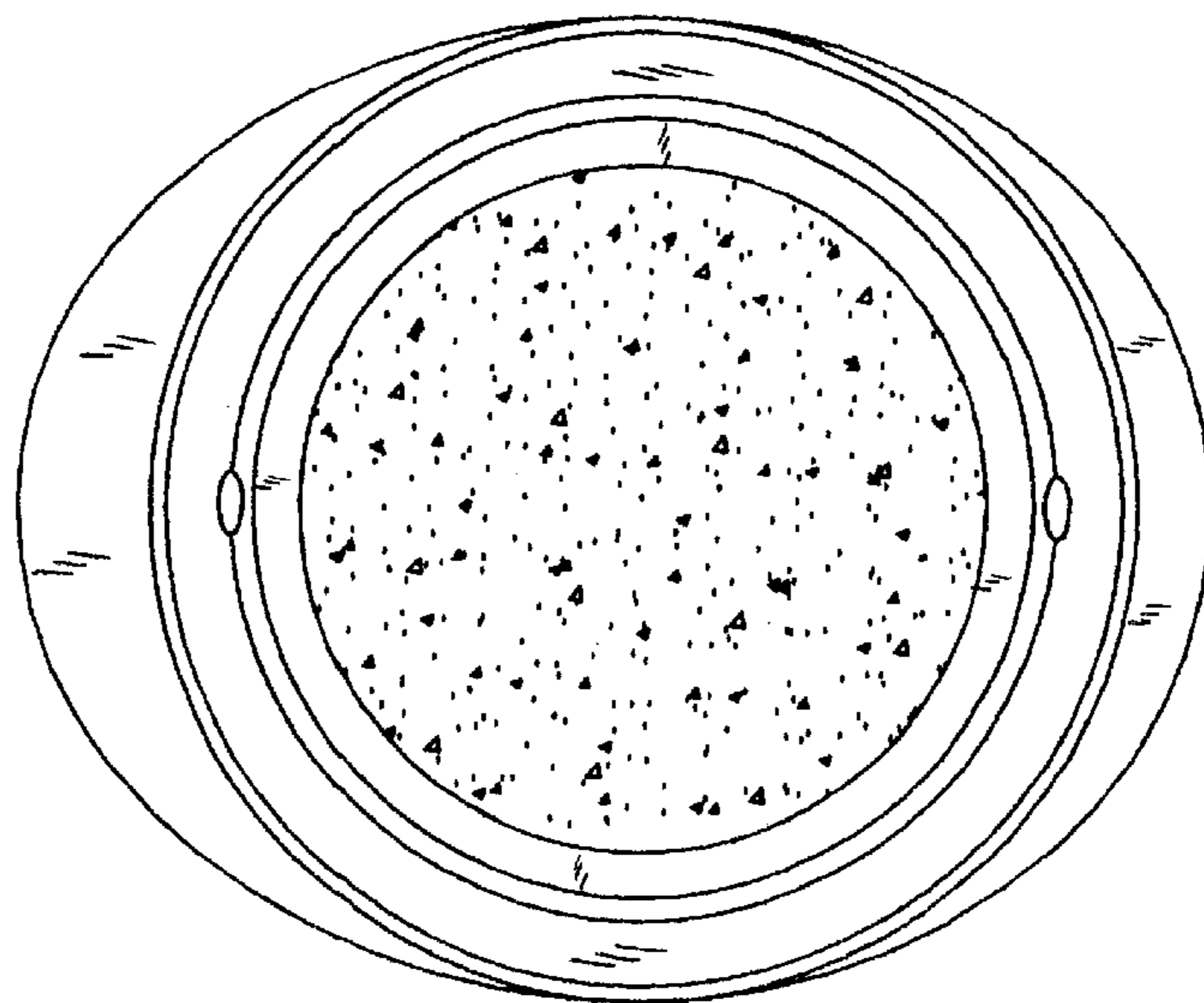


FIG. 8

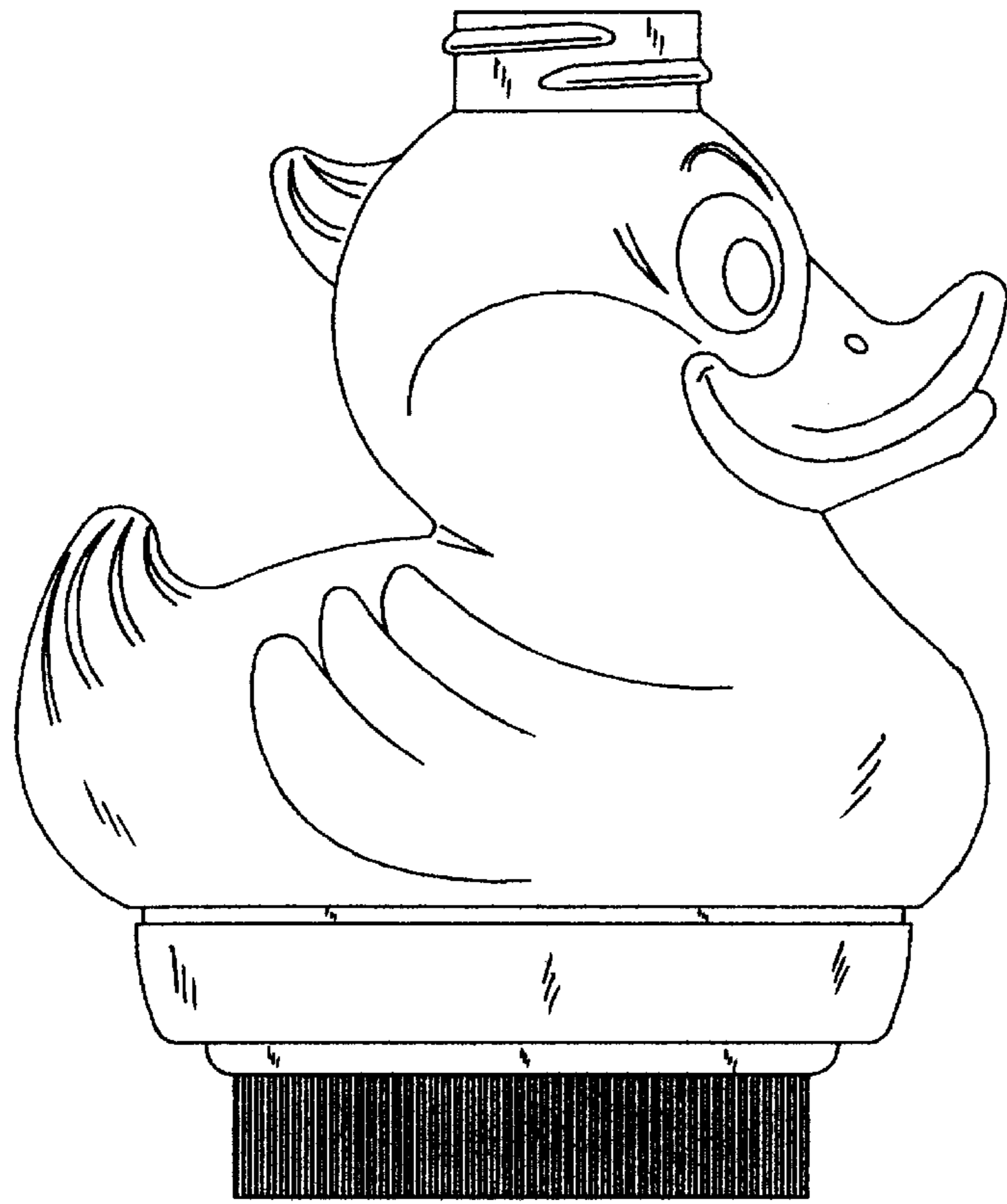
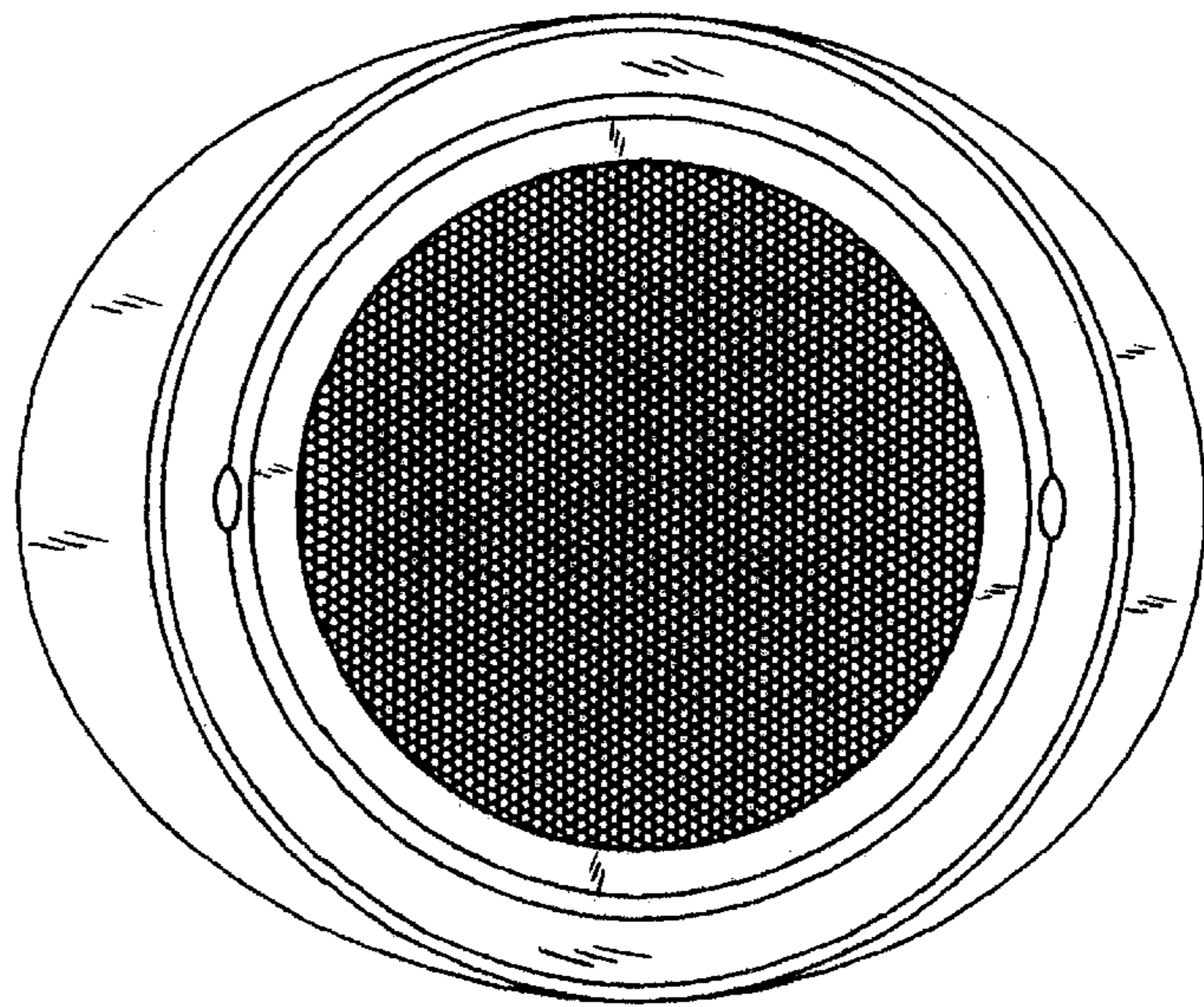


FIG. 9

FIG. 10



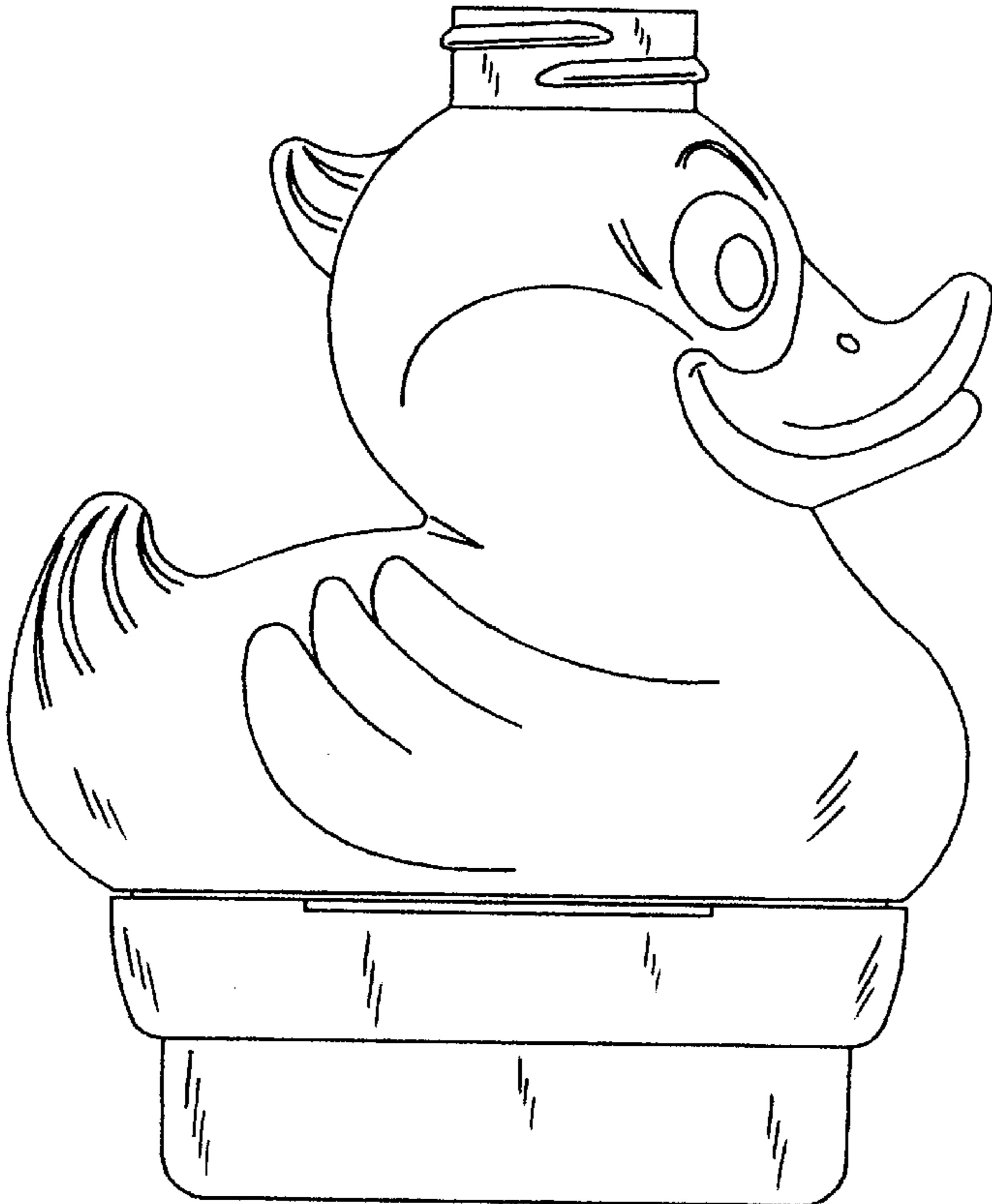


FIG. 11

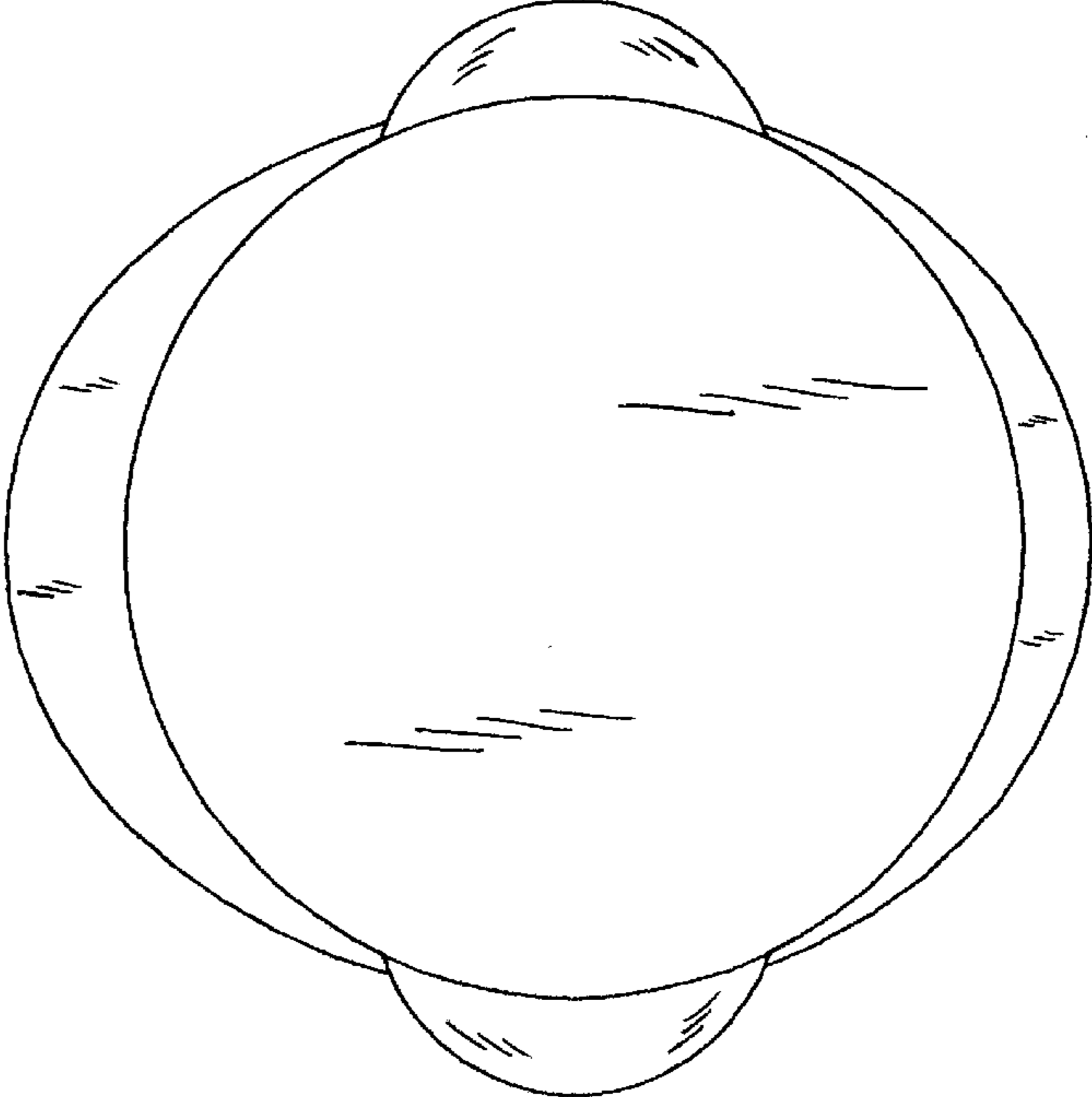


FIG. 12