

US00D506286S

(12) **United States Design Patent**
Fontaine

(10) **Patent No.:** **US D506,286 S**
(45) **Date of Patent:** **** Jun. 14, 2005**

(54) **CIGAR-CUTTER ASHTRAY**

(75) Inventor: **Walter G. Fontaine**, Narragansett, RI (US)

(73) Assignee: **Colibri Corporation**, Providence, RI (US)

(**) Term: **14 Years**

(21) Appl. No.: **29/201,403**

(22) Filed: **Mar. 15, 2004**

(51) **LOC (8) Cl.** **27-03**

(52) **U.S. Cl.** **D27/125**

(58) **Field of Search** D27/102, 103,
D27/125, 135, 195; 131/233, 248; 30/112,
113

(56) **References Cited**

U.S. PATENT DOCUMENTS

1,744,123	A	*	1/1930	Kolar	131/233
2,521,854	A	*	9/1950	King	131/233
2,740,410	A	*	4/1956	Harris	131/233
6,049,984	A	*	4/2000	McGehee	131/248
6,070,591	A	*	6/2000	Bryer	131/233

* cited by examiner

Primary Examiner—Jennifer Rivard
(74) *Attorney, Agent, or Firm*—Salter & Michaelson

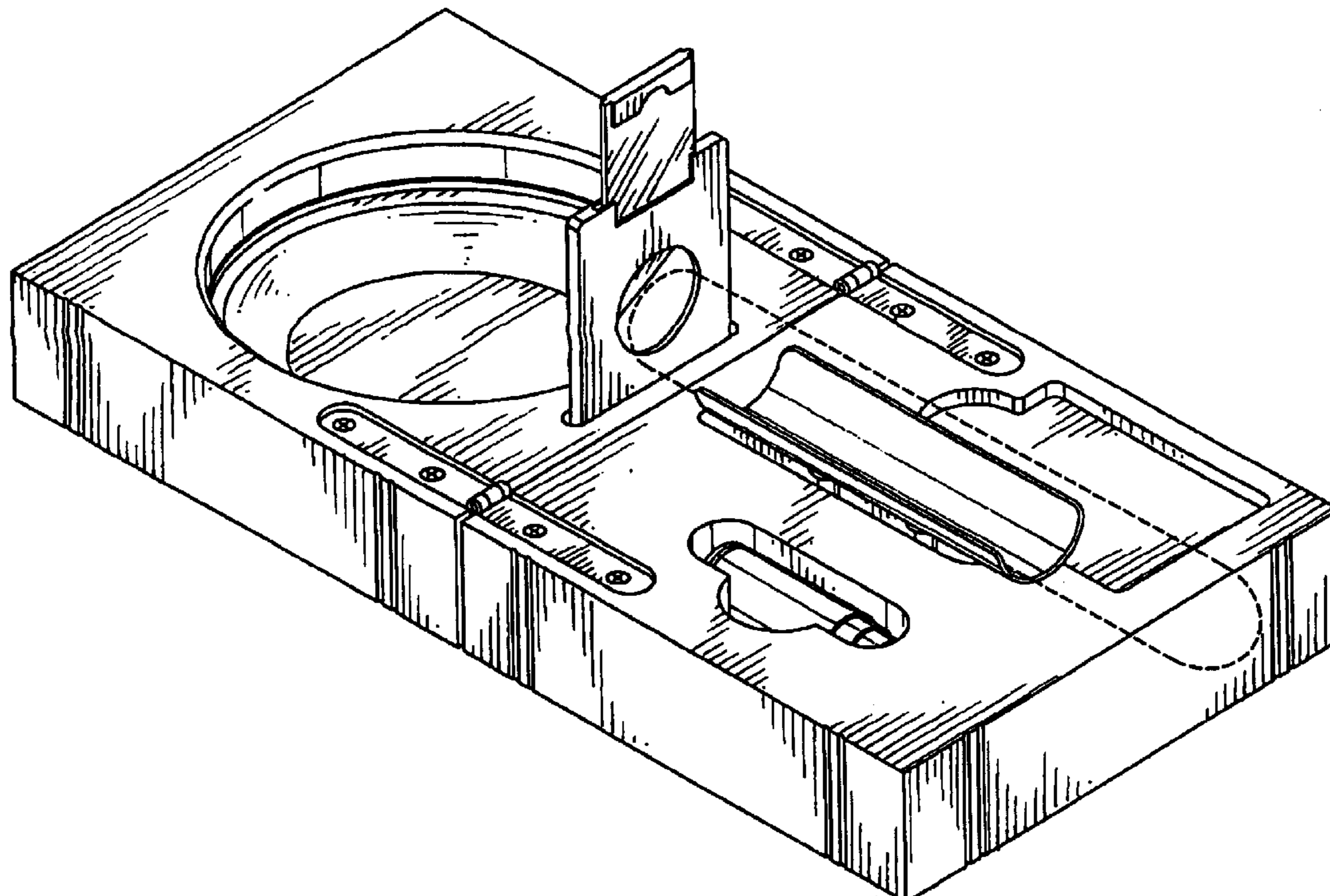
(57) **CLAIM**

The ornamental design for a cigar-cutter ashtray, as shown and described.

DESCRIPTION

FIG. 1 is a perspective view of a cigar-cutter ashtray showing my new design in a closed position;
FIG. 2 is a perspective view of the cigar-cutter ashtray showing my new design in an open position;
FIG. 3 is a top plan view thereof;
FIG. 4 is a bottom plan view thereof;
FIG. 5 is a front elevational view thereof, the rear elevational view being a mirror image thereof;
FIG. 6 is a side elevational view thereof, the opposite side being identical thereto;
FIG. 7 is an exploded perspective view thereof showing a removable tray, guillotine cutter and punch cutter; and,
FIG. 8 is a perspective view thereof showing the cover and cutter in open positions with a cigar resting in the cigar rest. The portions shown in broken lines are included for illustrative purpose only and form no part of the claimed design.

1 Claim, 7 Drawing Sheets



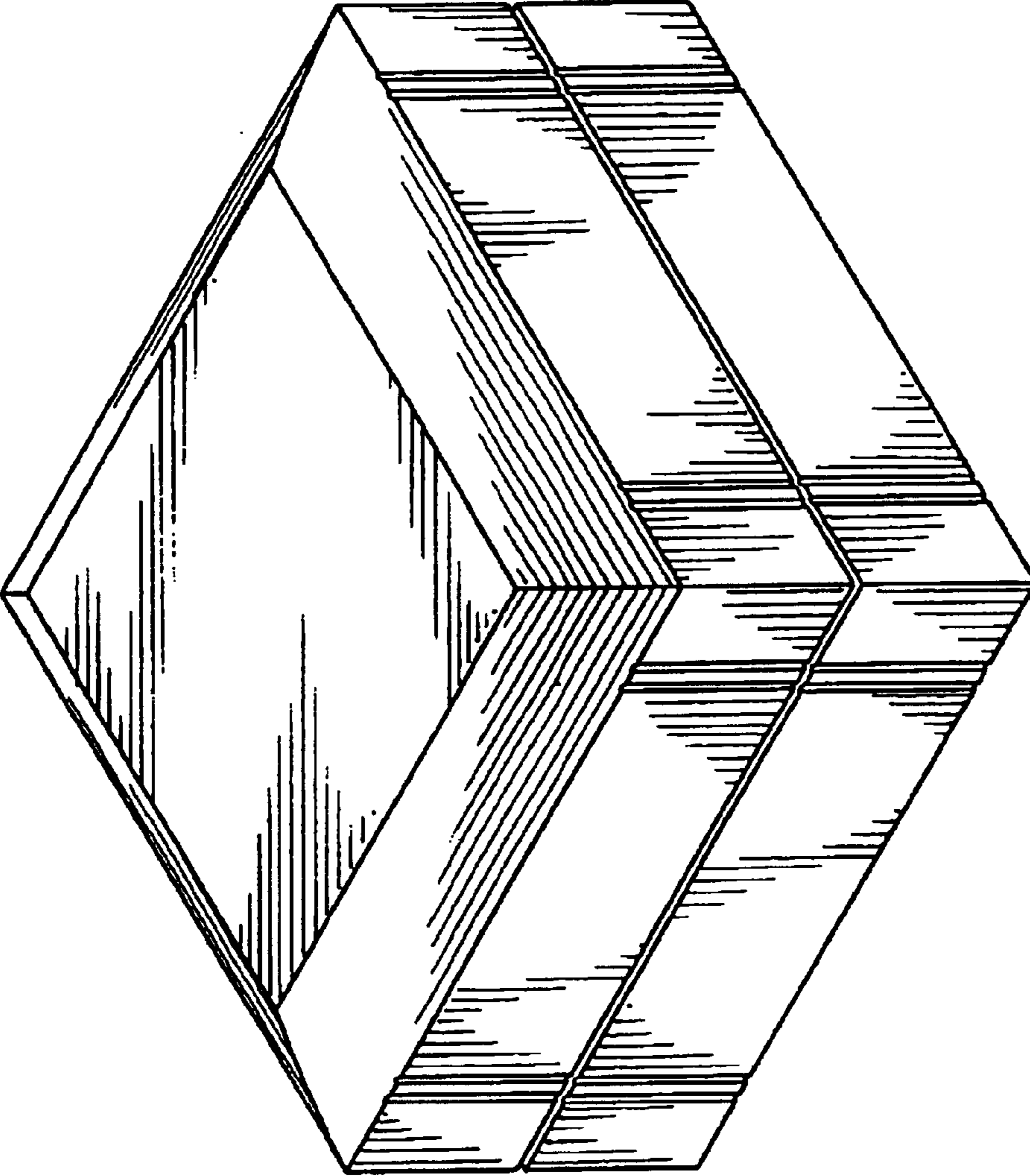


FIG. 1

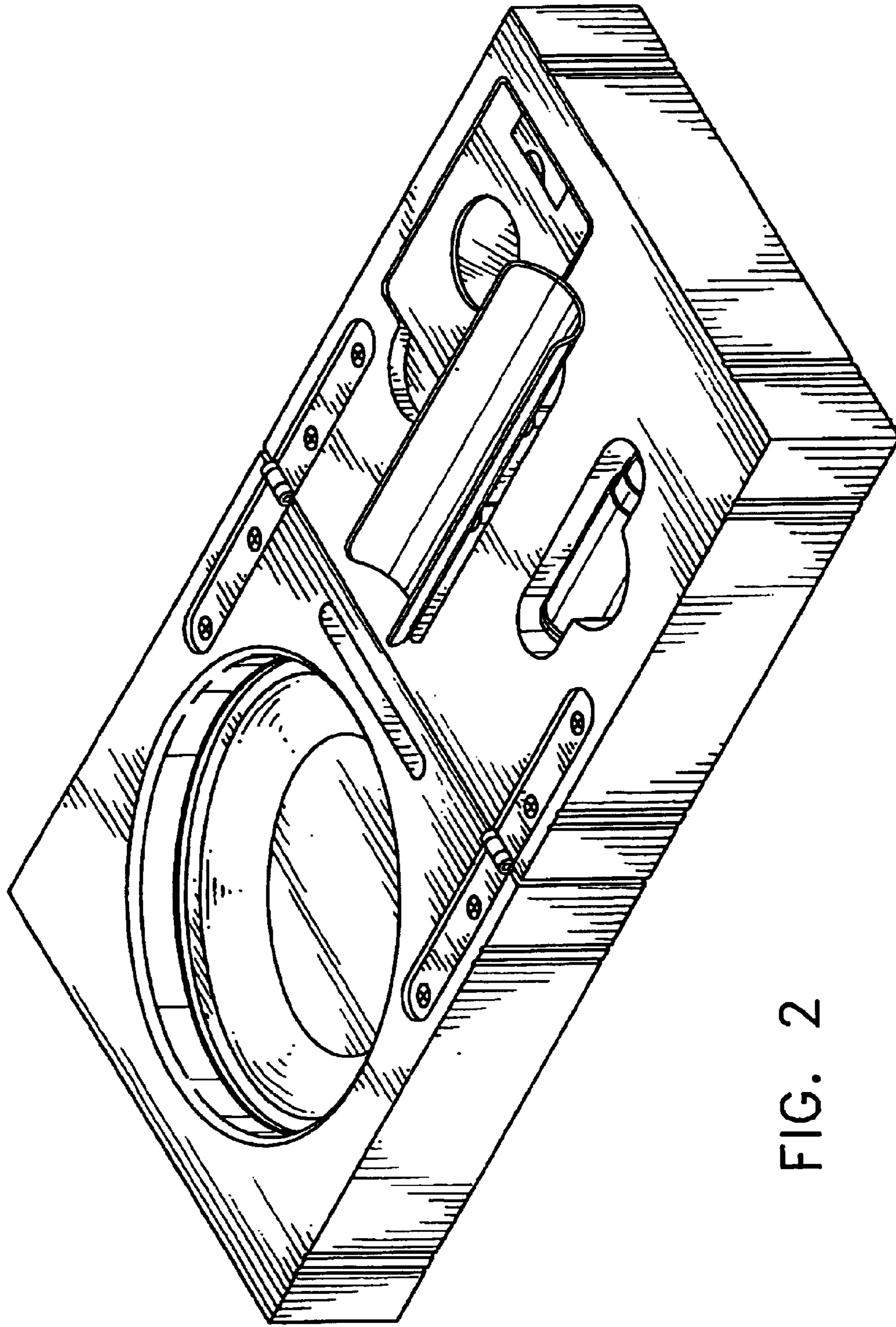


FIG. 2

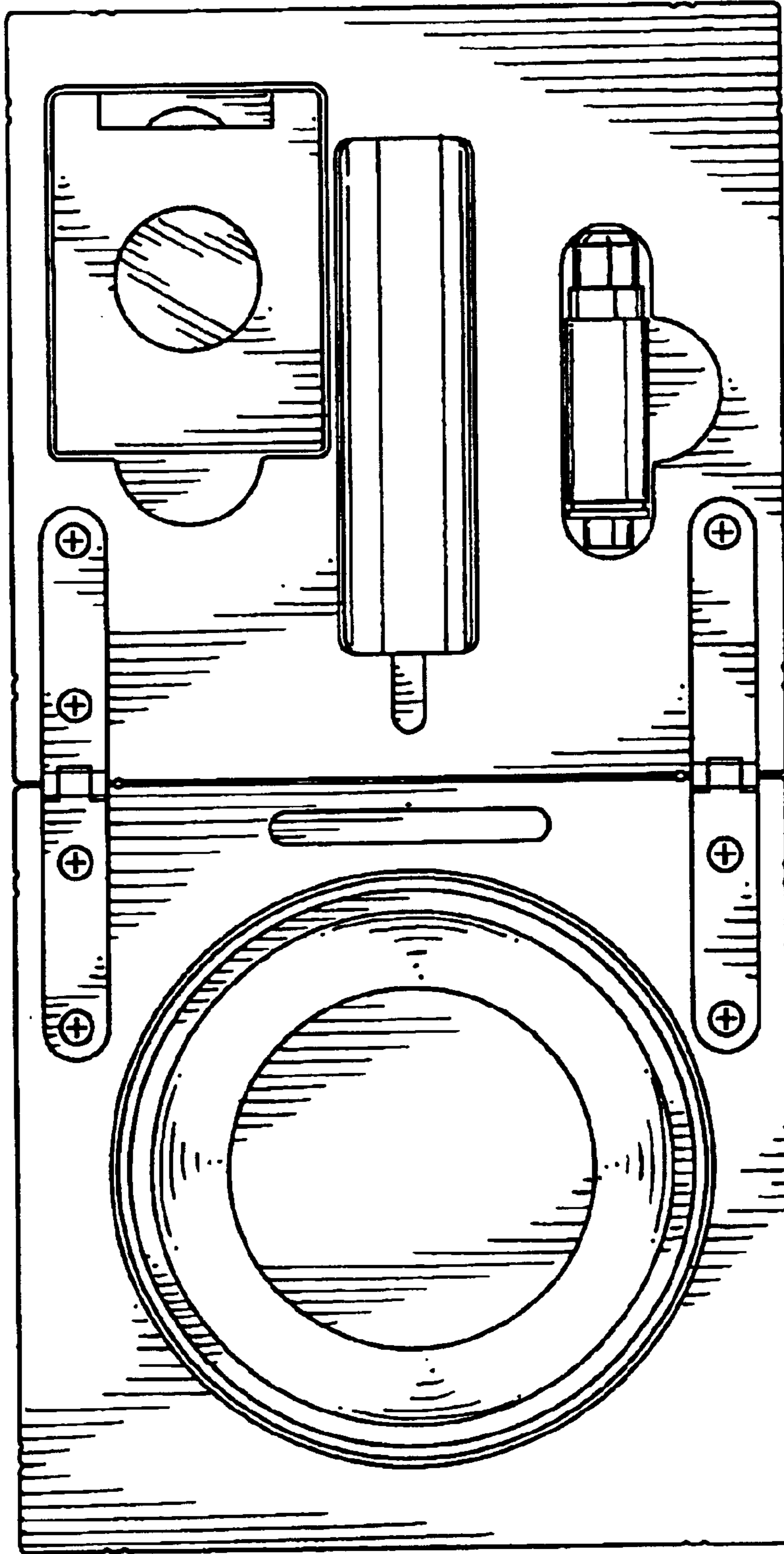


FIG. 3

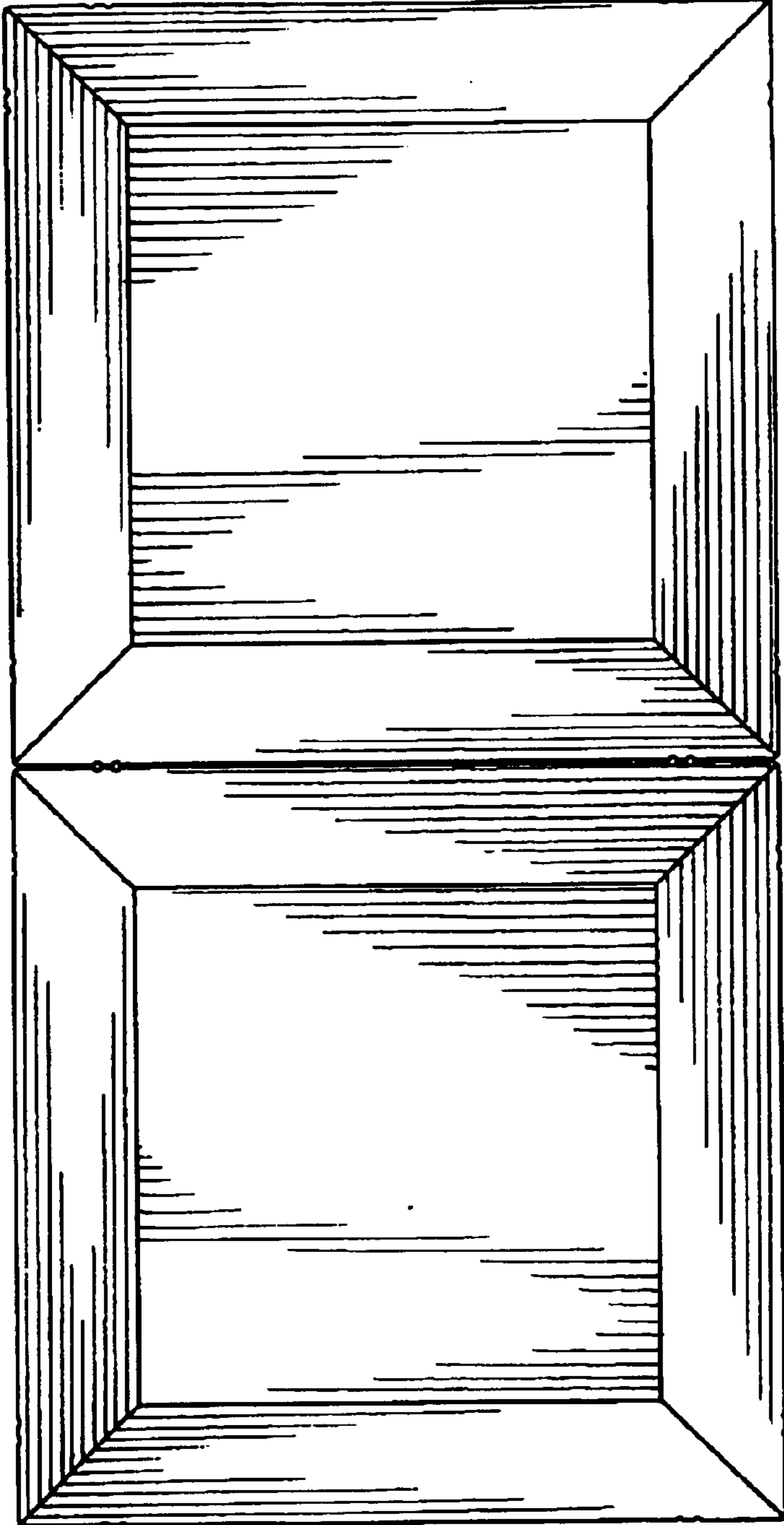


FIG. 4

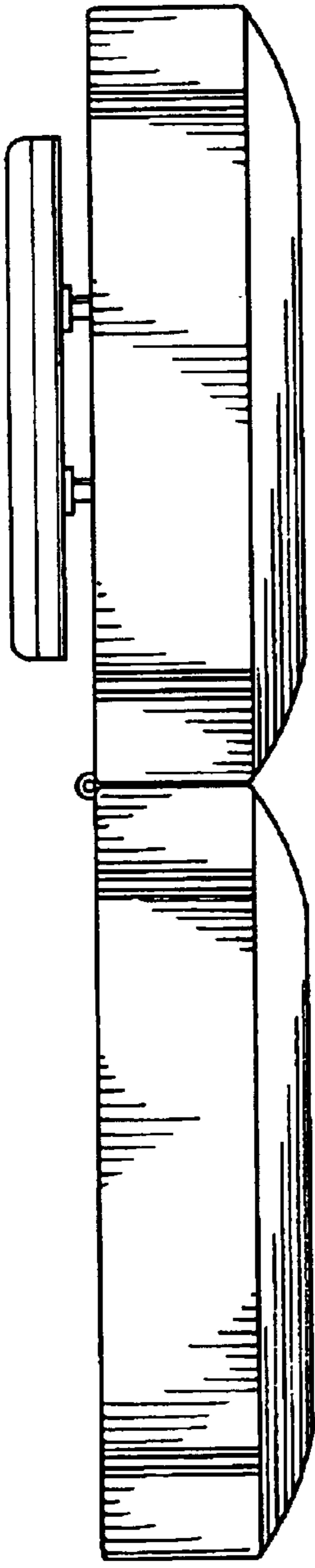


FIG. 5

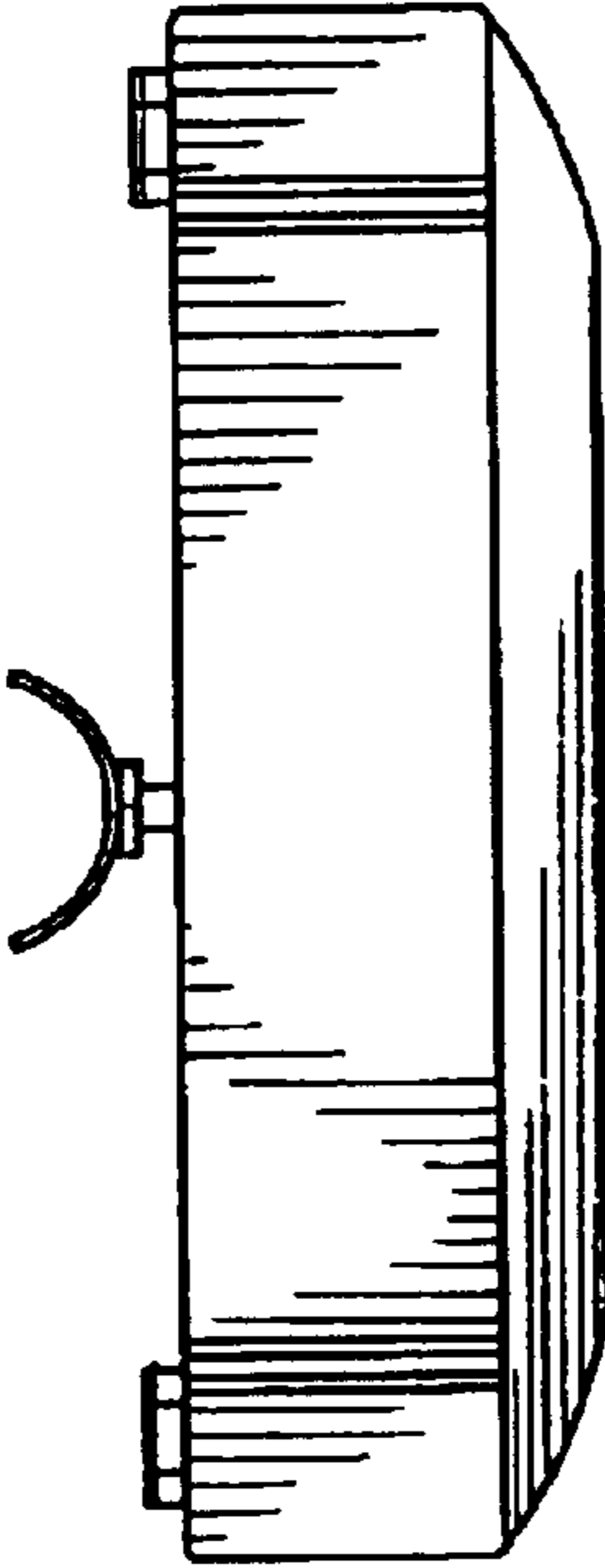


FIG. 6

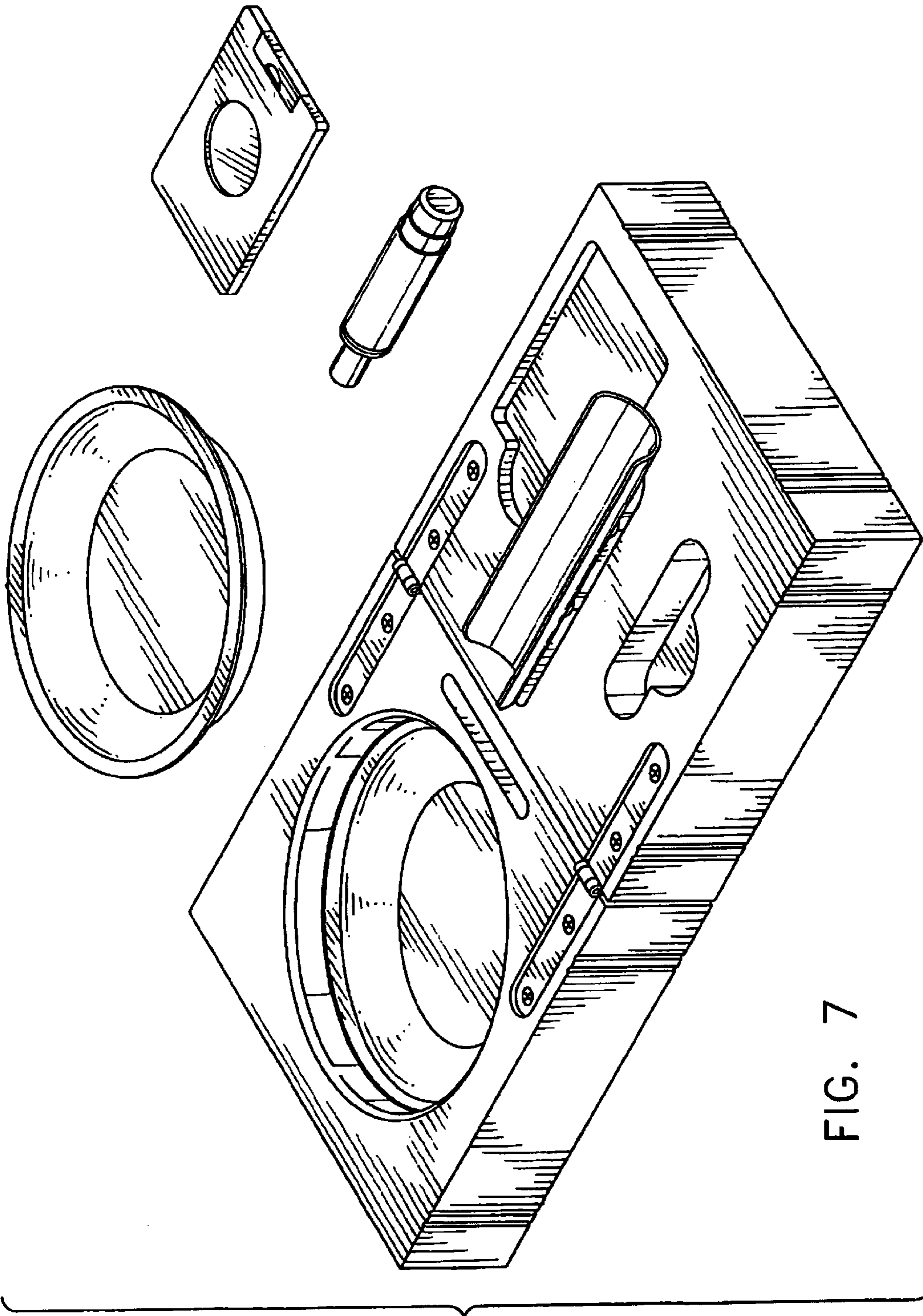


FIG. 7

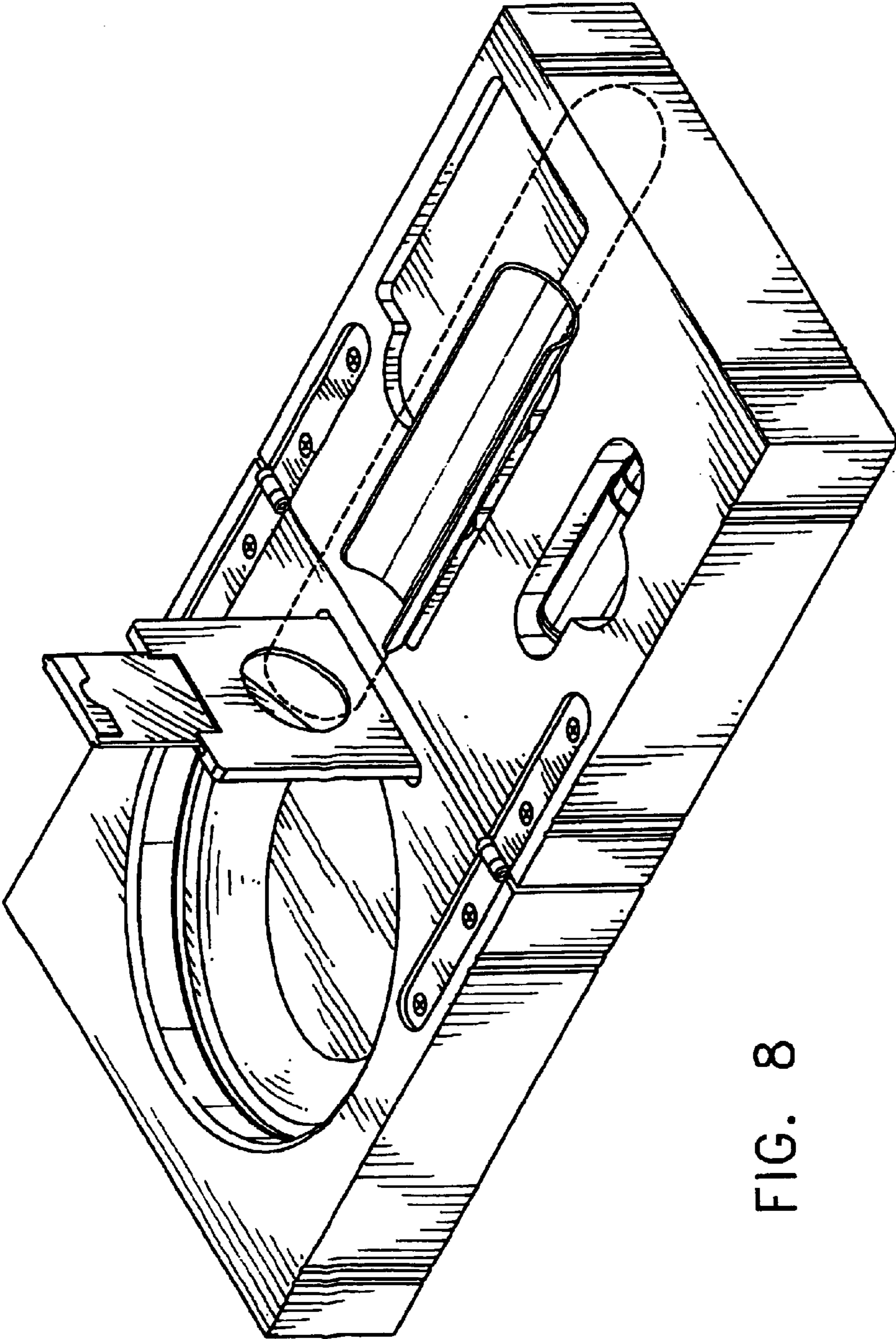


FIG. 8