

US00D506281S

(12) **United States Design Patent**  
**Randazzo et al.**

(10) **Patent No.:** **US D506,281 S**  
(45) **Date of Patent:** **\*\* Jun. 14, 2005**

(54) **LIGHTING FIXTURE**

(75) Inventors: **Larry G. Randazzo**, Brea, CA (US);  
**Cory W. Landefeld**, Long Beach, CA (US)

(73) Assignee: **Hubbell Incorporation**, Orange, CT (US)

(\*\*) Term: **14 Years**

(21) Appl. No.: **29/215,699**

(22) Filed: **Oct. 25, 2004**

(51) **LOC (8) Cl.** ..... **26-05**

(52) **U.S. Cl.** ..... **D26/67; D26/71; D26/92**

(58) **Field of Search** ..... **D26/67-72, 87, D26/92, 118; 362/152, 153, 153.1, 159, 183, 266, 363, 431, 432**

(56) **References Cited**

**U.S. PATENT DOCUMENTS**

D49,567 S	8/1916	Bayley	
D49,593 S	9/1916	Bayley	
D97,423 S	* 11/1935	Werring	D26/67
D152,336 S	1/1949	Hirshfield	
D191,128 S	* 8/1961	Curtin et al.	D26/67
D191,534 S	10/1961	Curtin et al.	
D194,480 S	1/1963	Rodriguez et al.	
D195,989 S	8/1963	Pettengill	
D199,266 S	9/1964	Izzi	
D208,325 S	* 8/1967	Bobrick	D26/67
D213,393 S	2/1969	Clark et al.	
D307,060 S	4/1990	Fraser	
D328,502 S	8/1992	Hartman	
D328,955 S	8/1992	Sheradsky	
D329,099 S	9/1992	Hall et al.	
D329,101 S	9/1992	Landefeld	

(Continued)

*Primary Examiner*—Clare E Heflin

(74) *Attorney, Agent, or Firm*—Michael E. Stimson; Mark S. Bicks; Alfred N. Goodman

(57) **CLAIM**

The ornamental design for a lighting fixture, as shown and described.

**DESCRIPTION**

FIG. 1 is a perspective view of a lighting fixture adapted to be mounted on a pole in accordance with a first embodiment of the present invention;

FIG. 2 is a side elevational view of the lighting fixture illustrated in FIG. 1;

FIG. 3 is a top plan view of the lighting fixture illustrated in FIGS. 1 and 2;

FIG. 4 is a bottom plan view of the lighting fixture illustrated in FIGS. 1-3;

FIG. 5 is a perspective view of a lighting fixture adapted to be mounted on an overhead wall bracket in accordance with a second embodiment of the present invention;

FIG. 6 is a side elevational view of the lighting fixture illustrated in FIG. 5;

FIG. 7 is a top plan view of the lighting fixture illustrated in FIGS. 5 and 6;

FIG. 8 is a bottom plan view of the lighting fixture illustrated in FIGS. 5-7.

FIG. 9 is a perspective view of a lighting fixture adapted to be mounted on an underhand wall bracket in accordance with a third embodiment of the present invention;

FIG. 10 is a side elevational view of the lighting fixture illustrated in FIG. 9;

FIG. 11 is a top plan view of the lighting fixture illustrated in FIGS. 9 and 10;

FIG. 12 is a bottom plan view of the lighting fixture illustrated in FIGS. 9-11;

FIG. 13 is a perspective view of a lighting fixture adapted to be mounted on a vertical pendant in accordance with a fourth embodiment of the present invention;

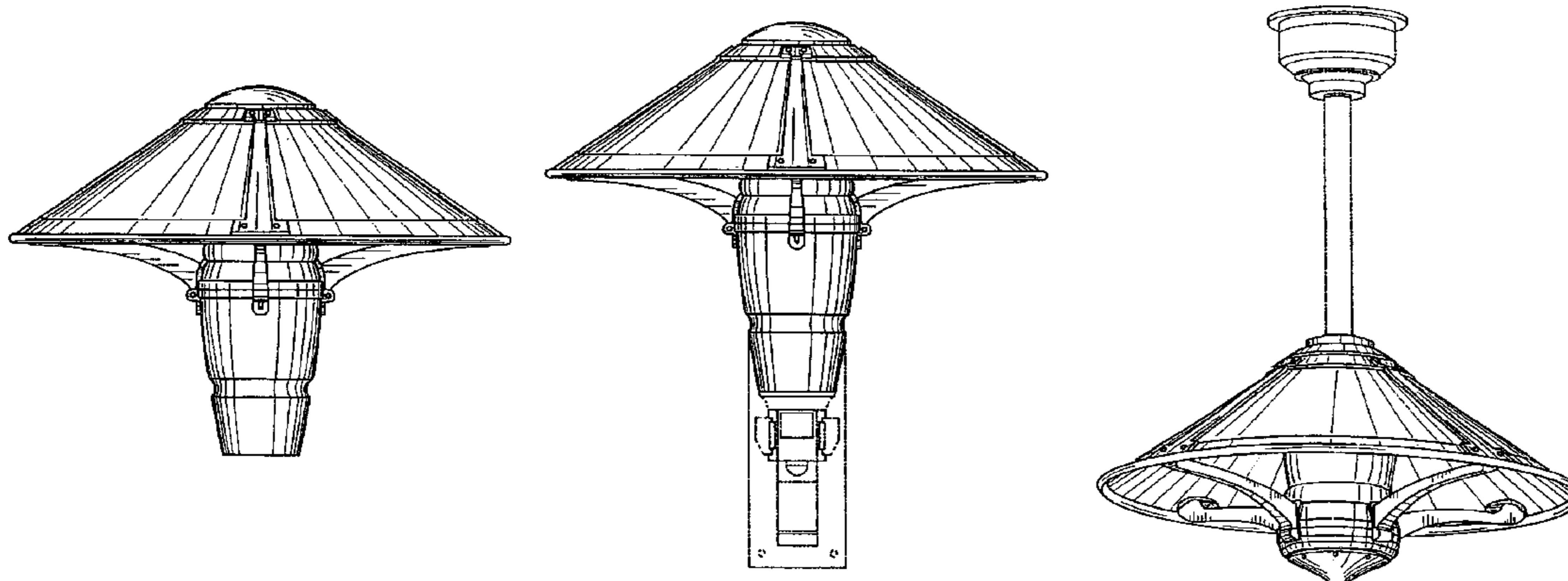
FIG. 14 is a side elevational view of the lighting fixture illustrated in FIG. 13;

FIG. 15 is a top plan view of the lighting fixture illustrated in FIGS. 13 and 14; and,

FIG. 16 is a bottom plan view of the lighting fixture illustrated in FIGS. 13-15.

The broken lines are shown for illustrative purposes only and form no part of the claimed design.

**1 Claim, 12 Drawing Sheets**



# US D506,281 S

Page 2

---

## U.S. PATENT DOCUMENTS

D330,603 S	10/1992	Kay		D422,737 S	4/2000	Orozco	
D392,769 S	3/1998	Dolan		D427,350 S	6/2000	Landefeld	
D395,724 S	6/1998	Compton		D435,129 S	12/2000	Ewing	
D403,798 S	1/1999	Dolan		D444,584 S	* 7/2001	Landefeld	..... D26/67
D411,895 S	7/1999	Houston		D454,970 S	3/2002	Straus et al.	
D411,896 S	* 7/1999	Houston	..... D26/68	6,491,415 B2	12/2002	Orellana	
D416,347 S	11/1999	Klaus		2003/0112630 A1	6/2003	Strelnieks	
D418,625 S	1/2000	Dolan					

\* cited by examiner

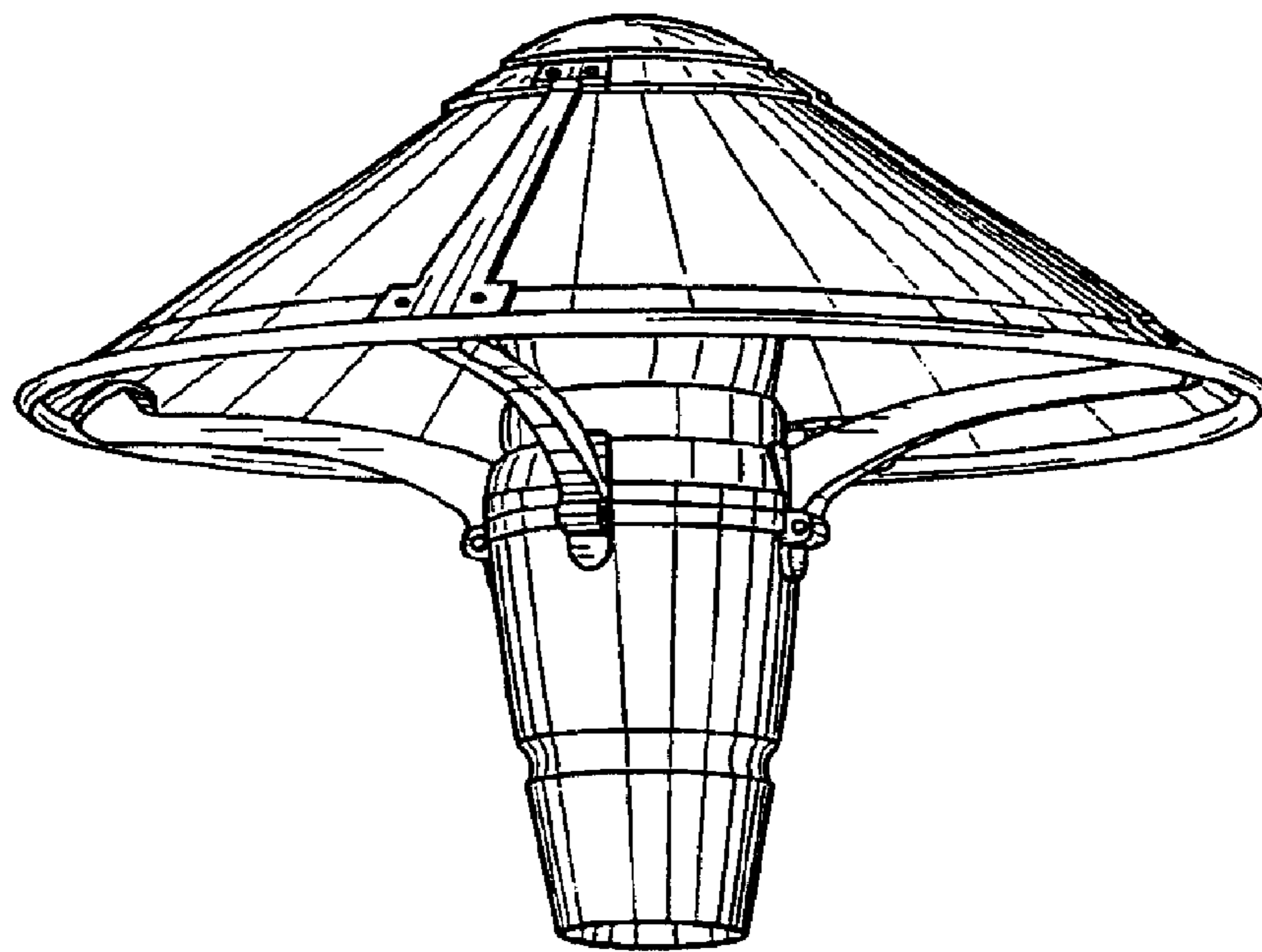


FIG. 1

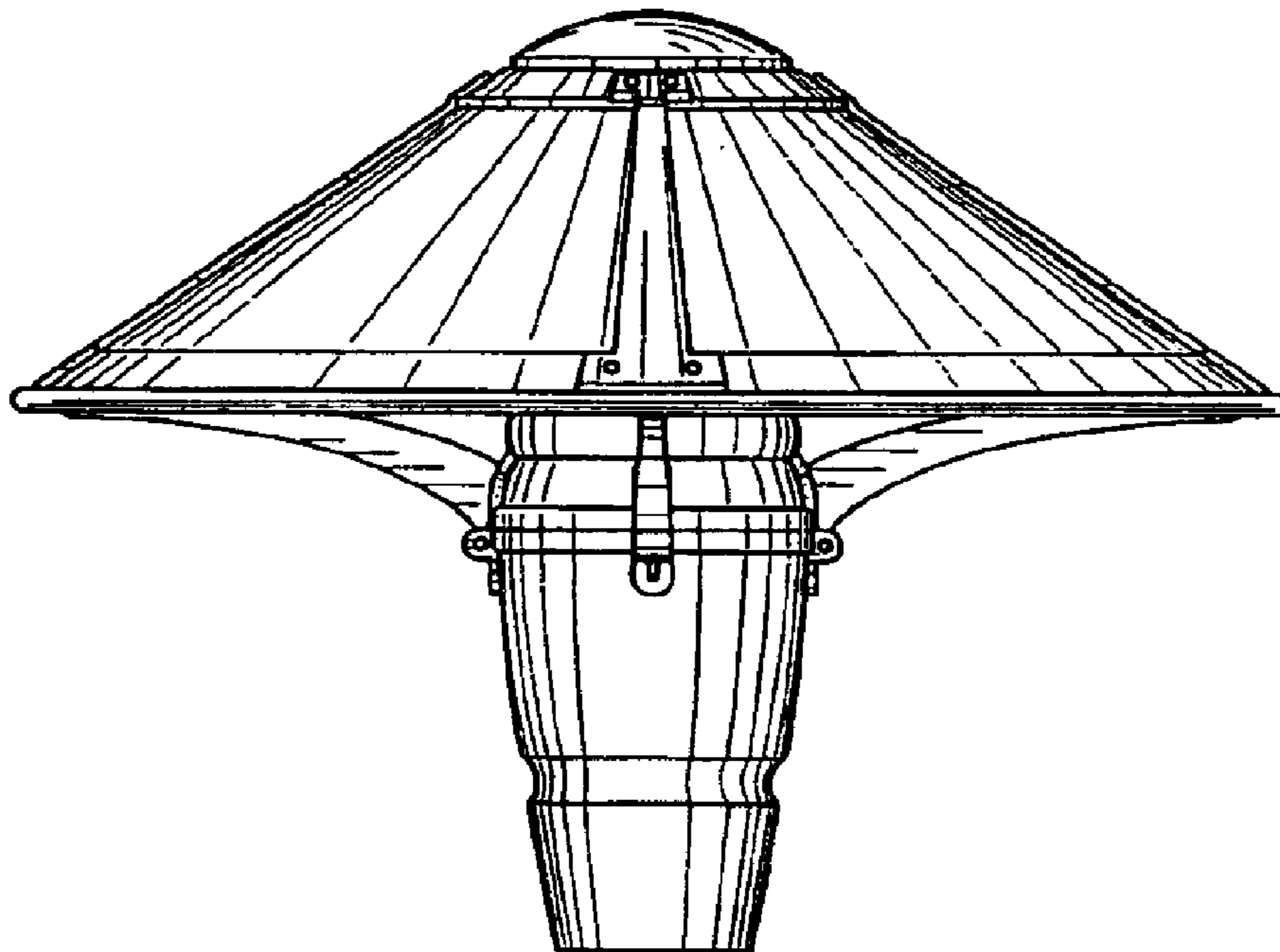


FIG. 2



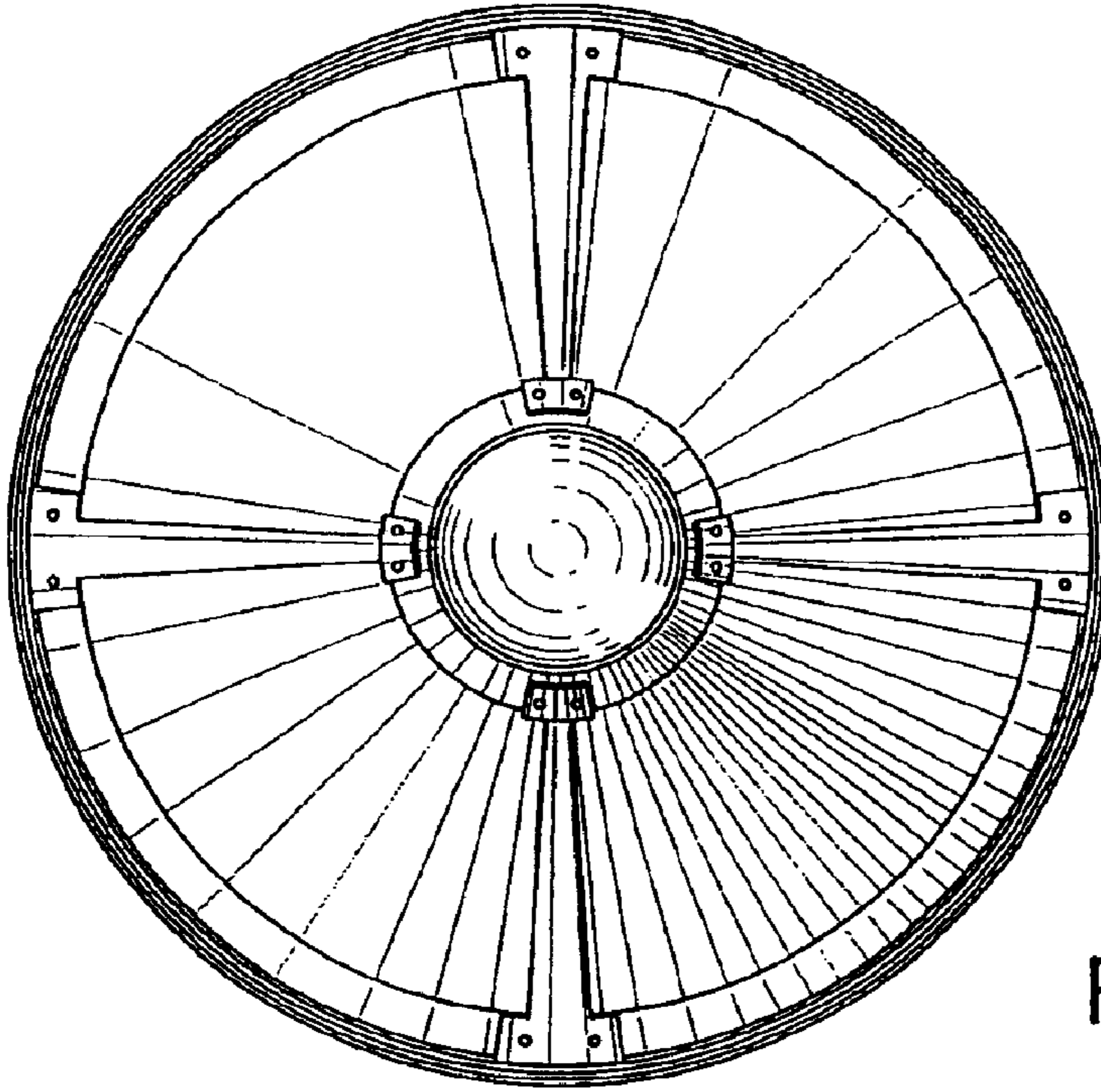


FIG. 3

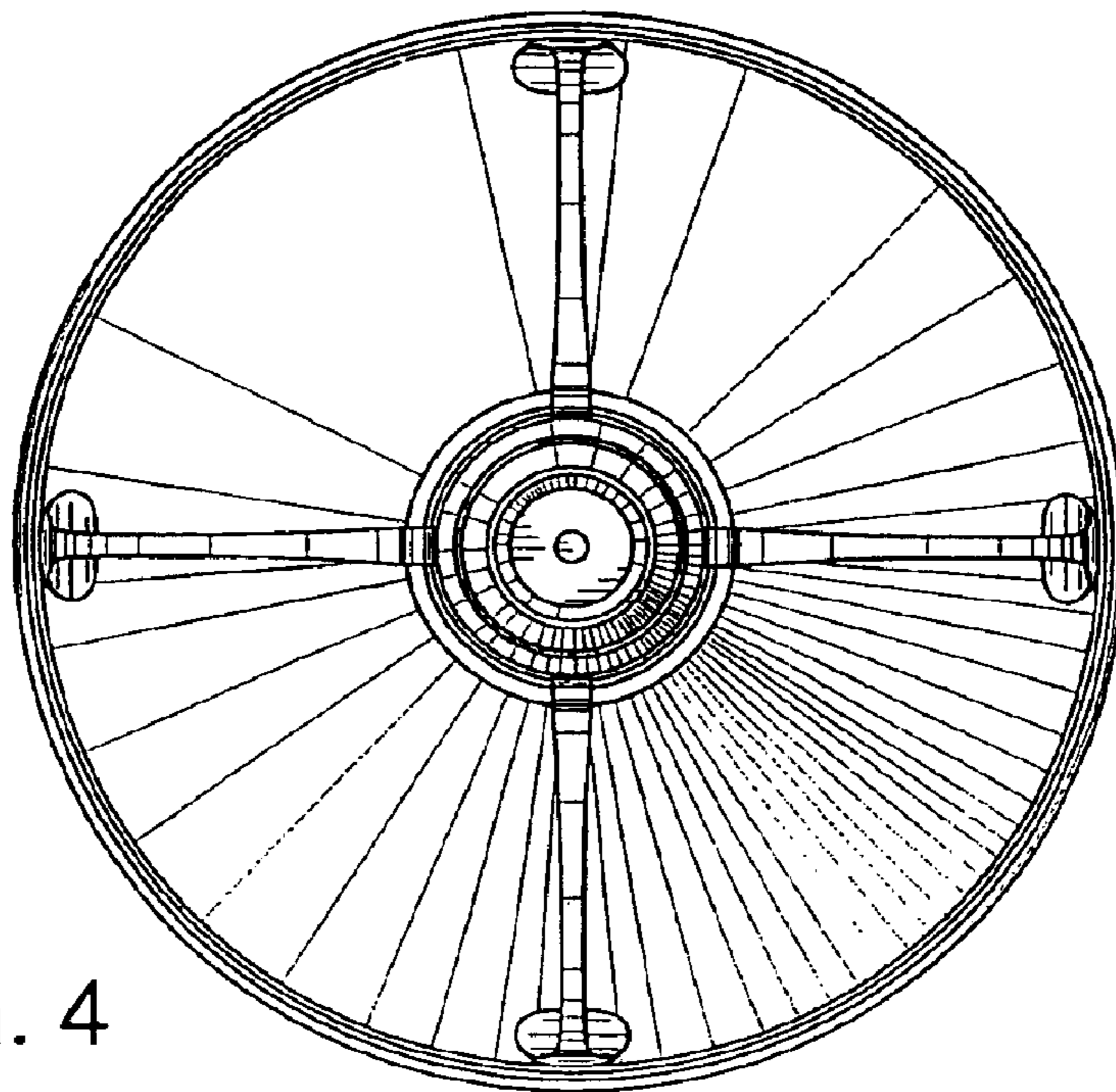


FIG. 4

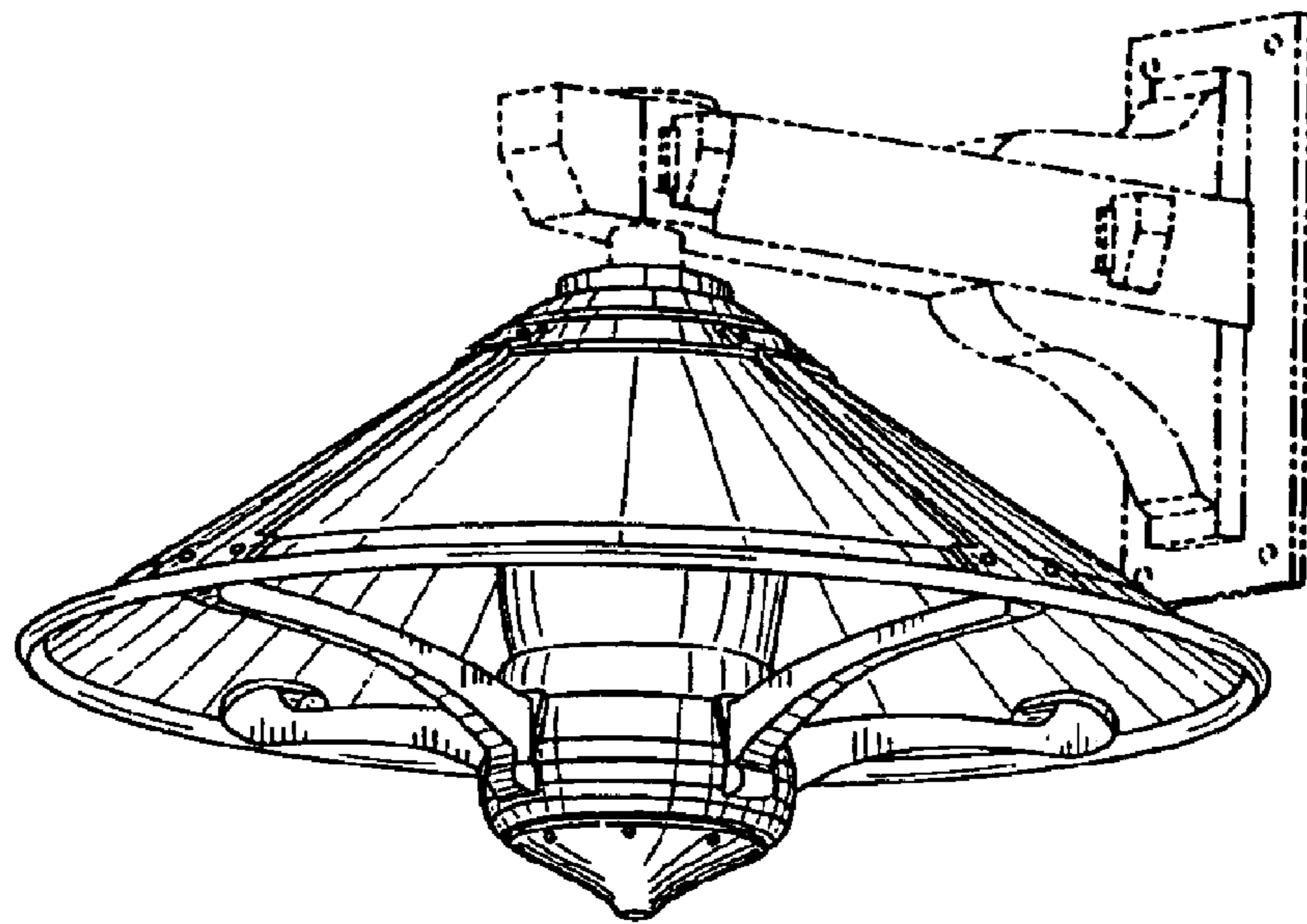


FIG. 5

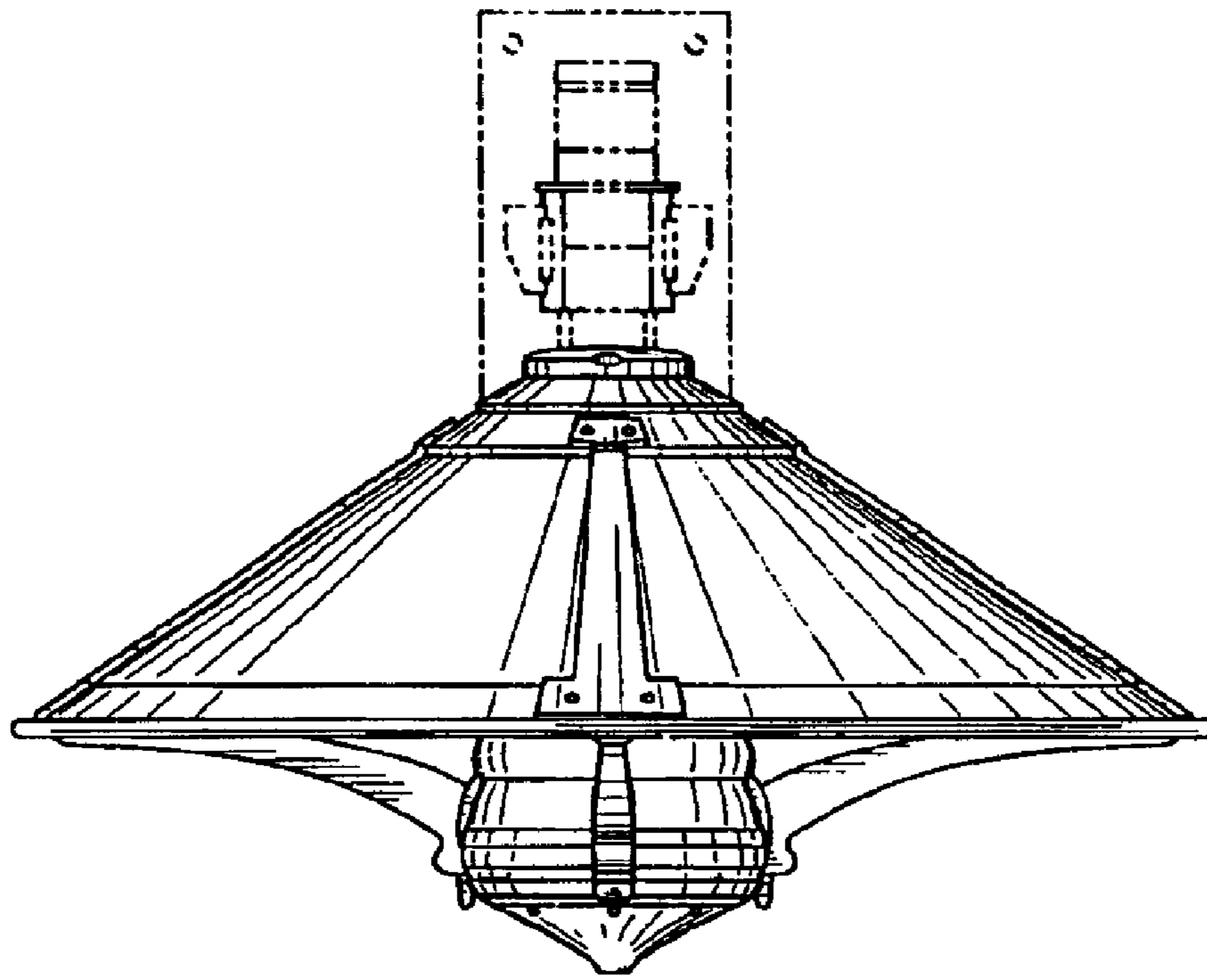


FIG. 6

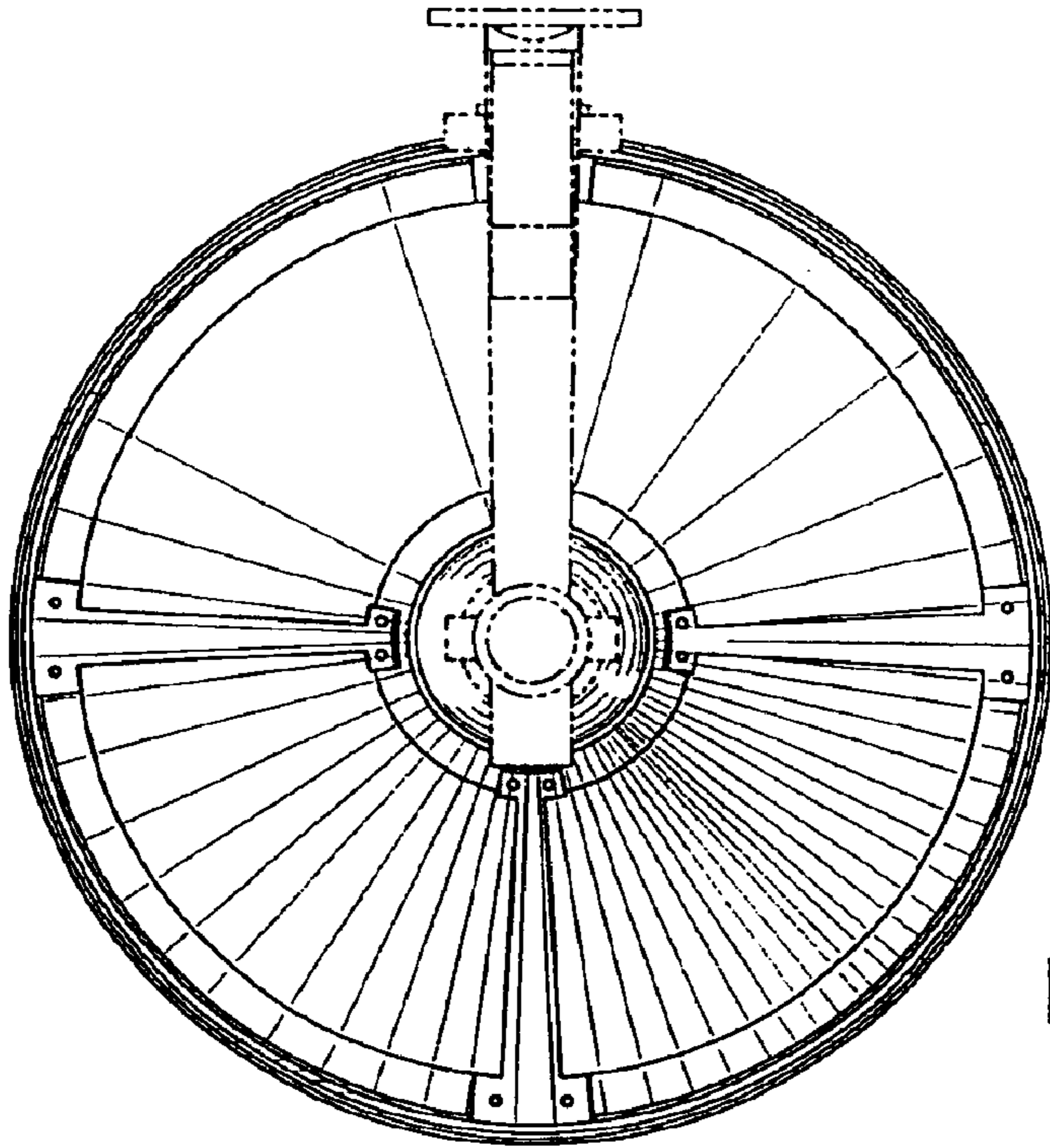


FIG. 7

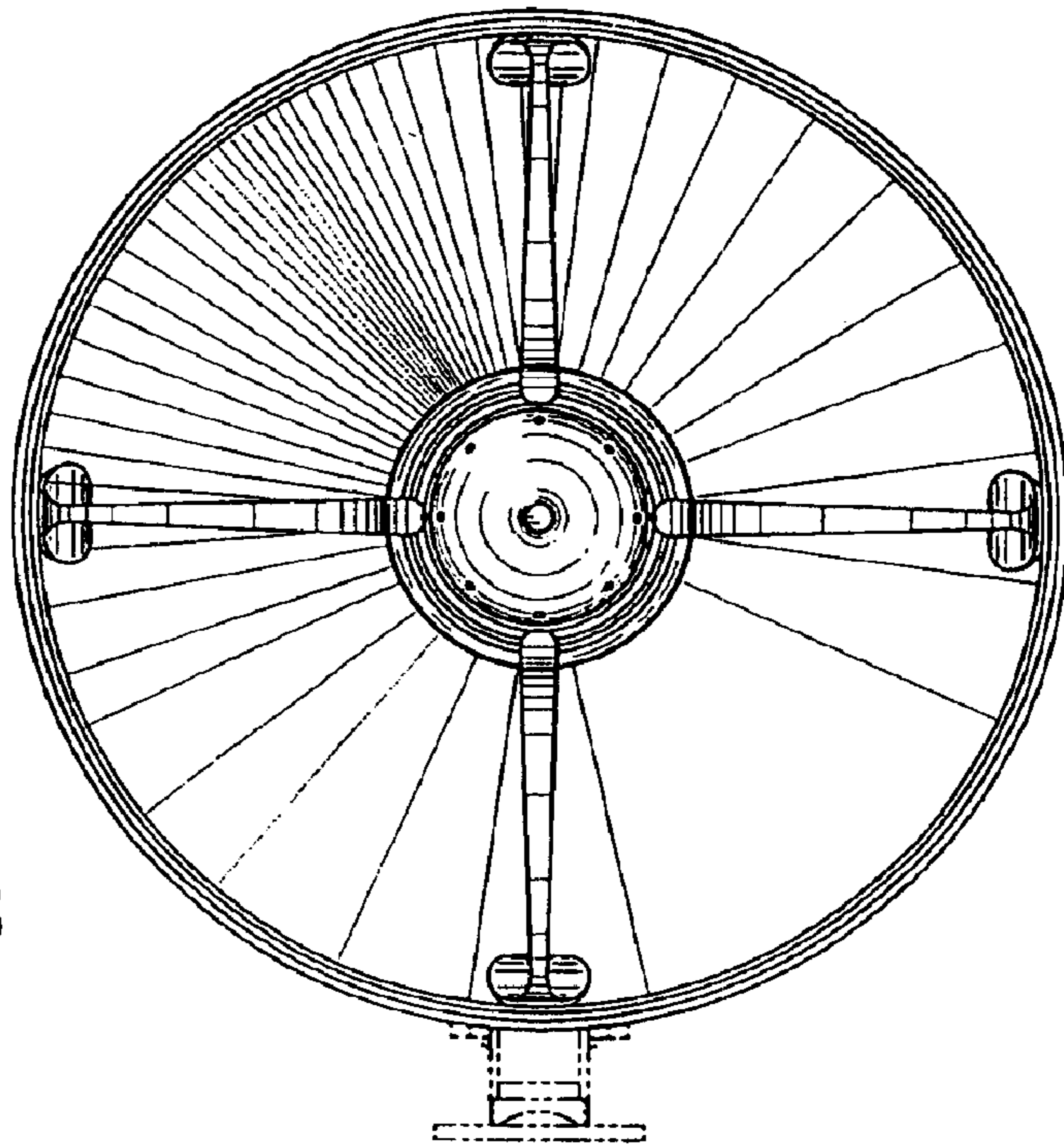


FIG. 8



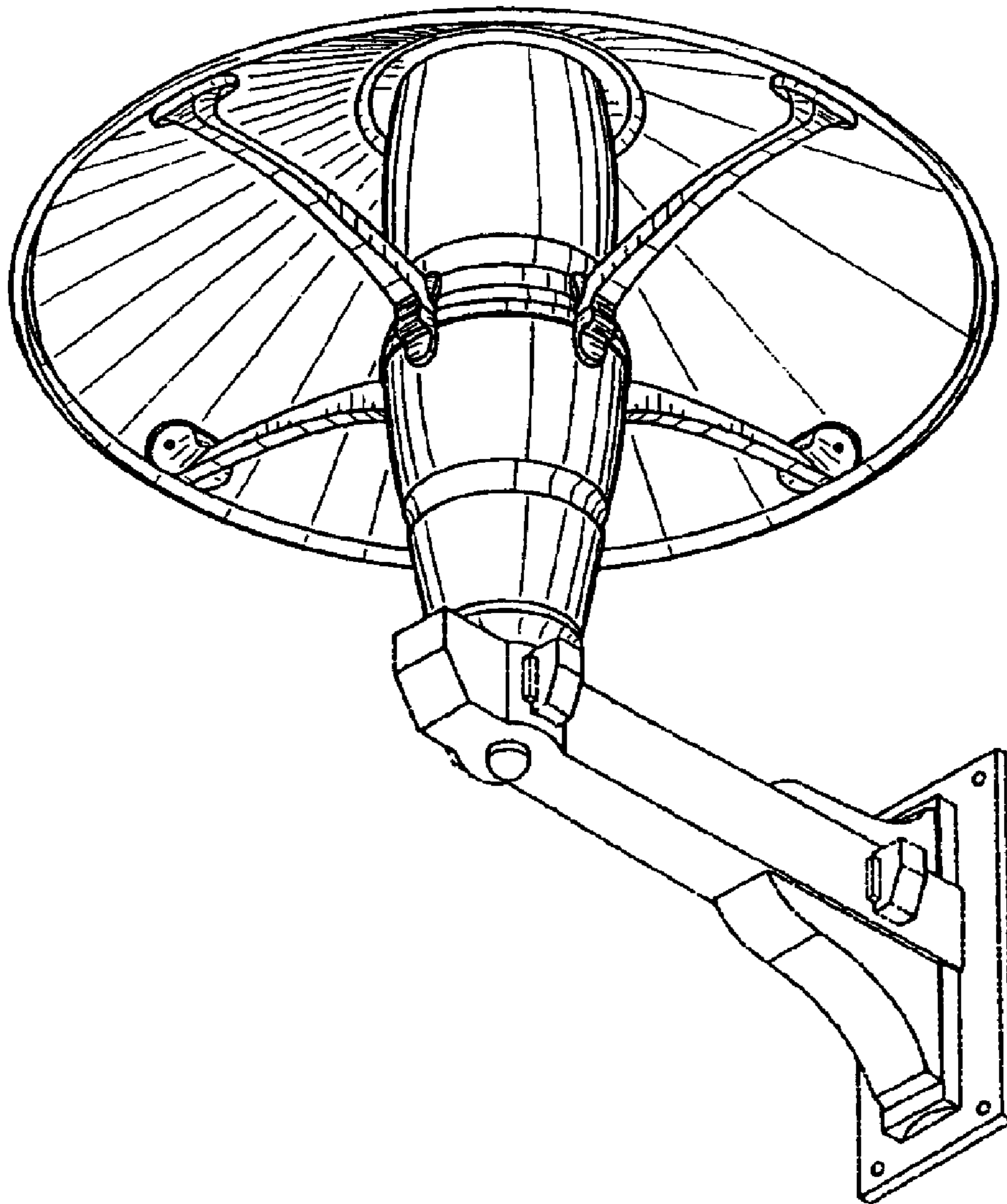


FIG. 9

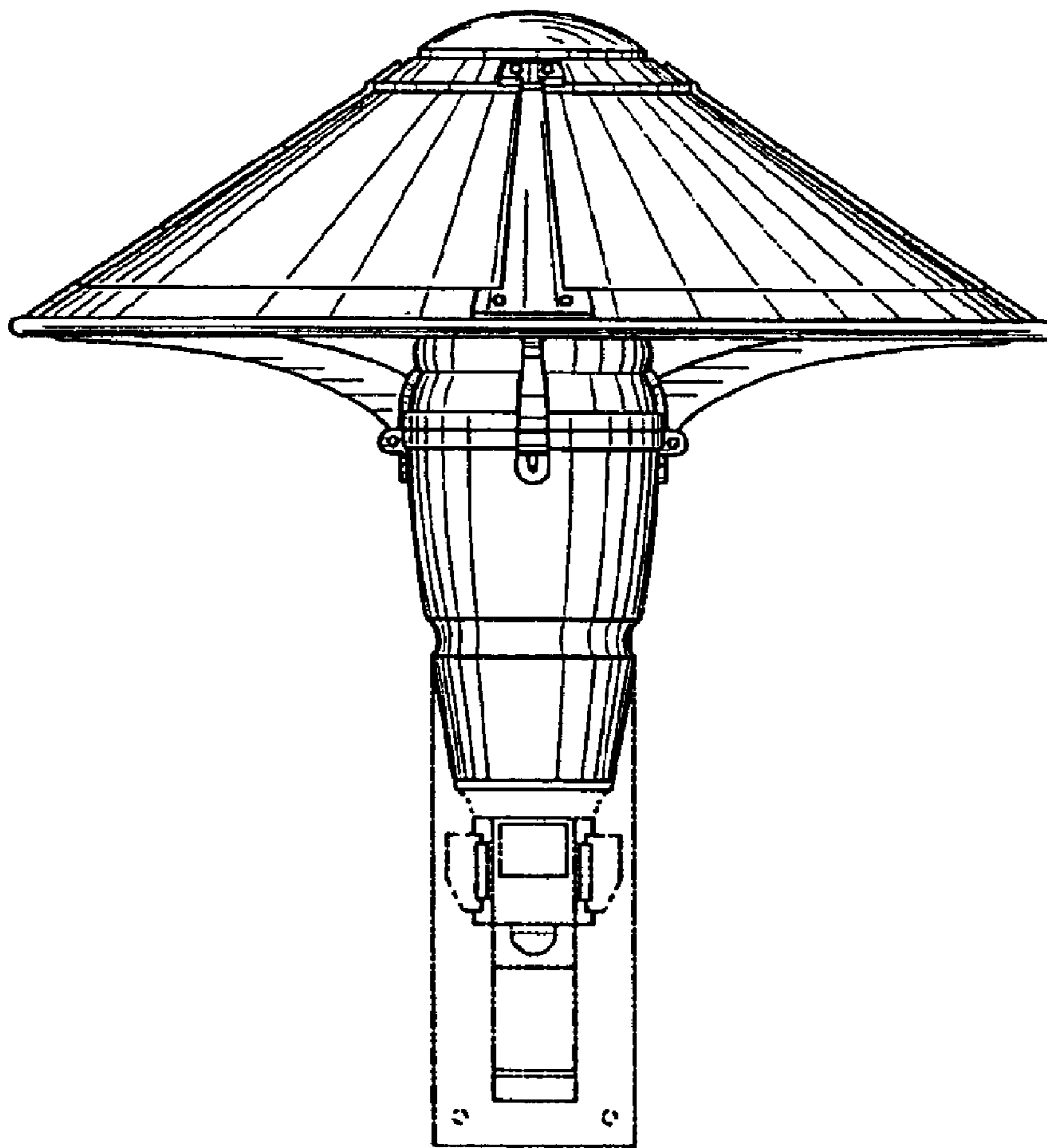


FIG. 10

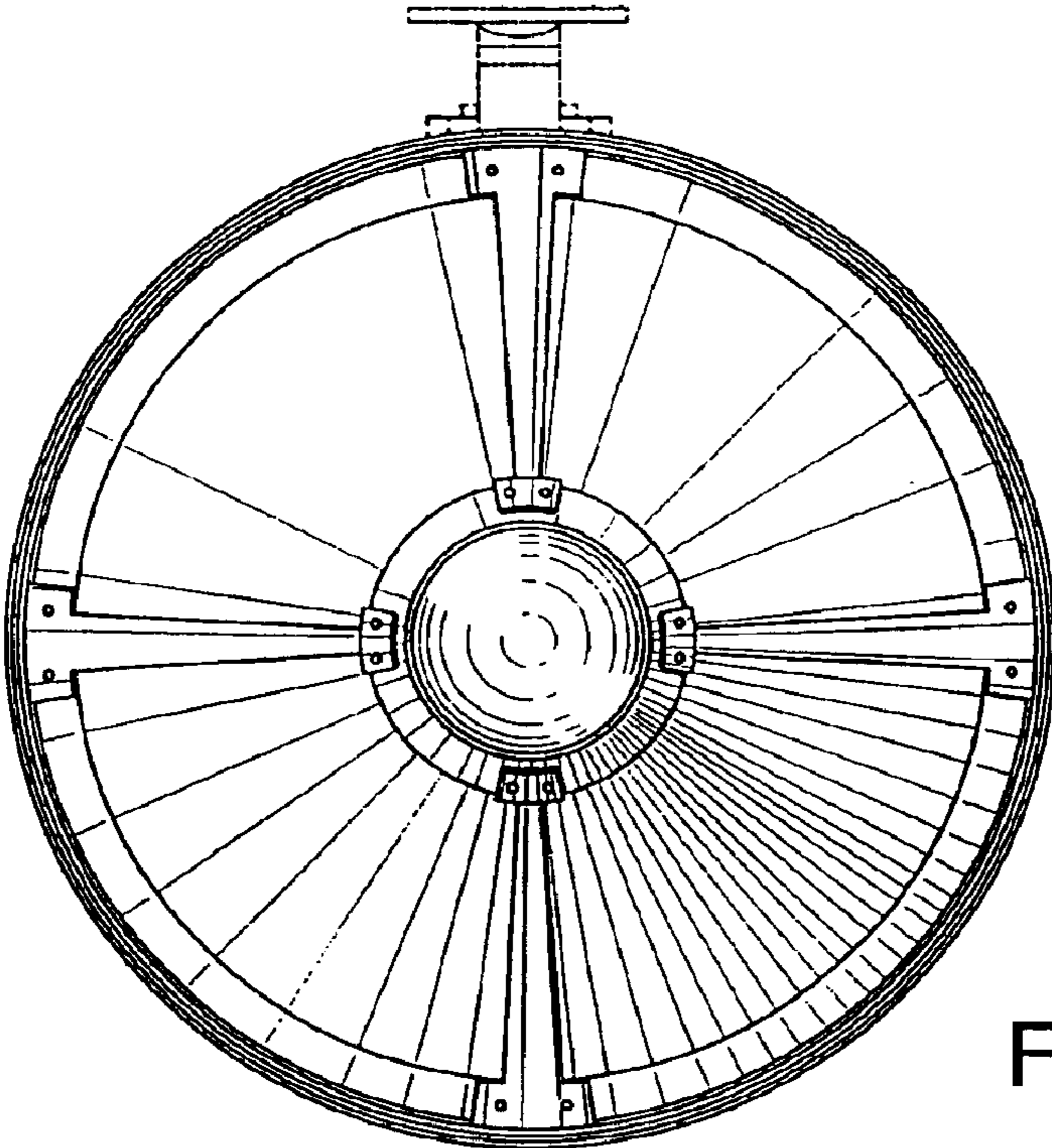


FIG. 11

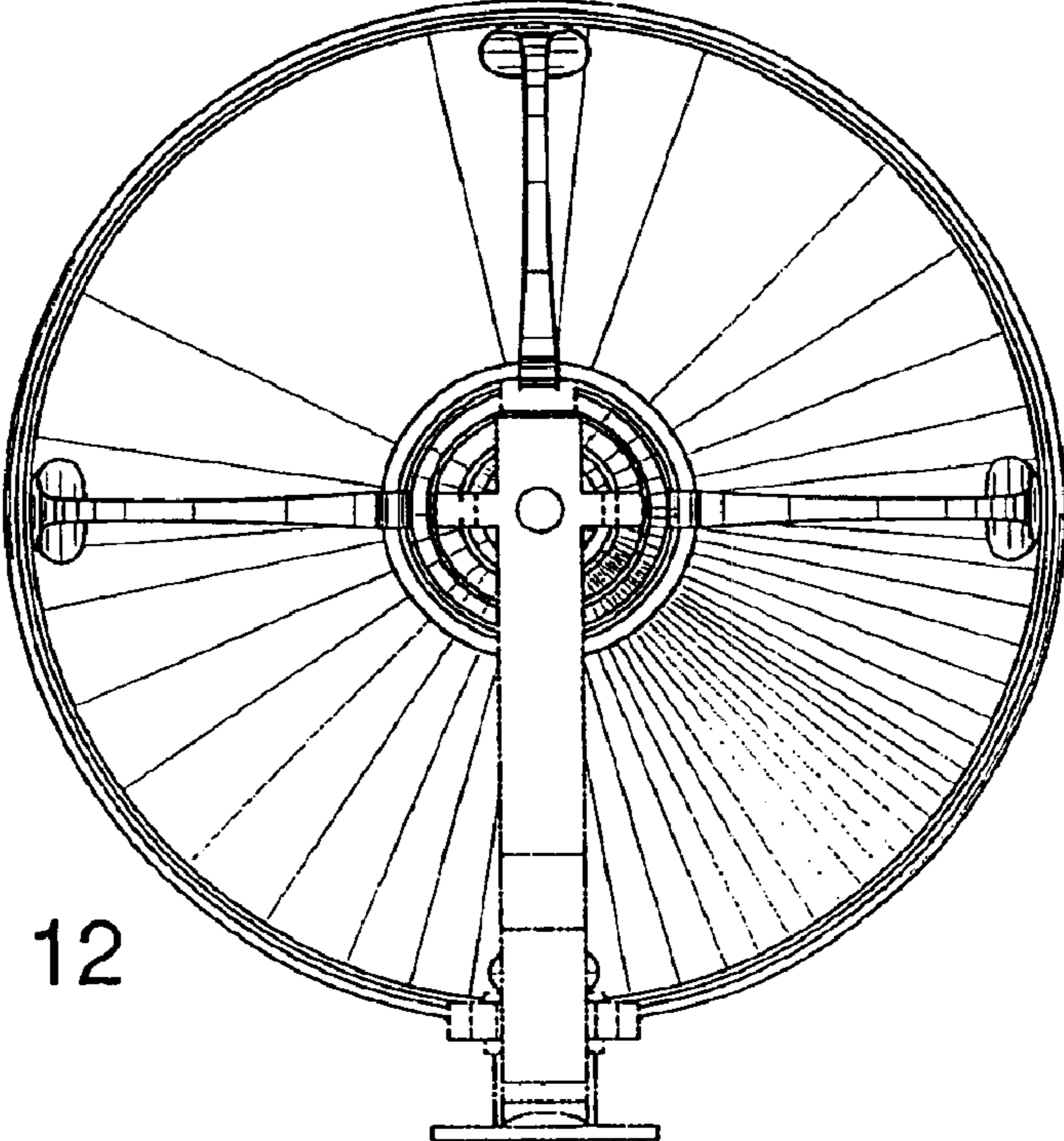


FIG. 12

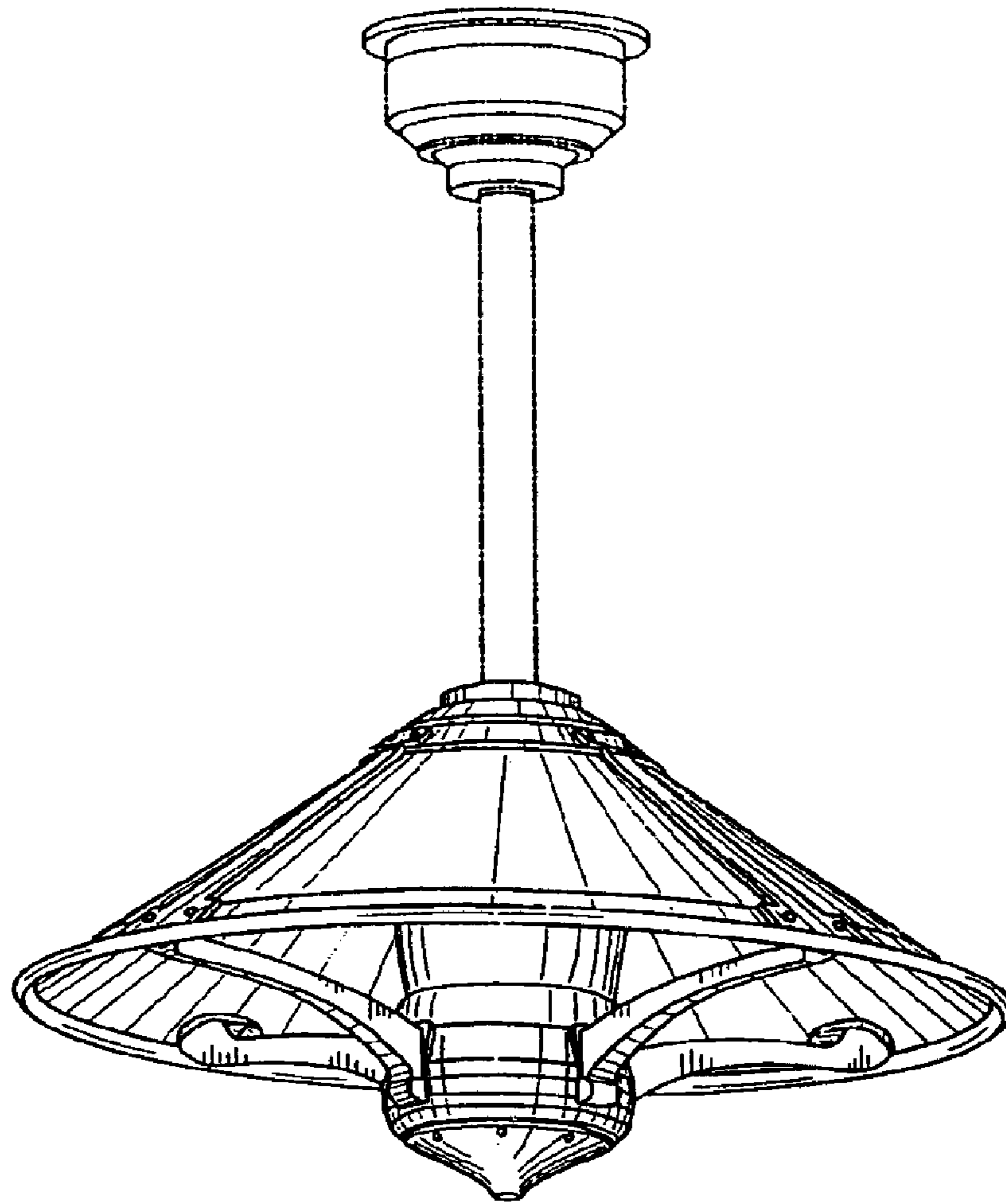


FIG. 13



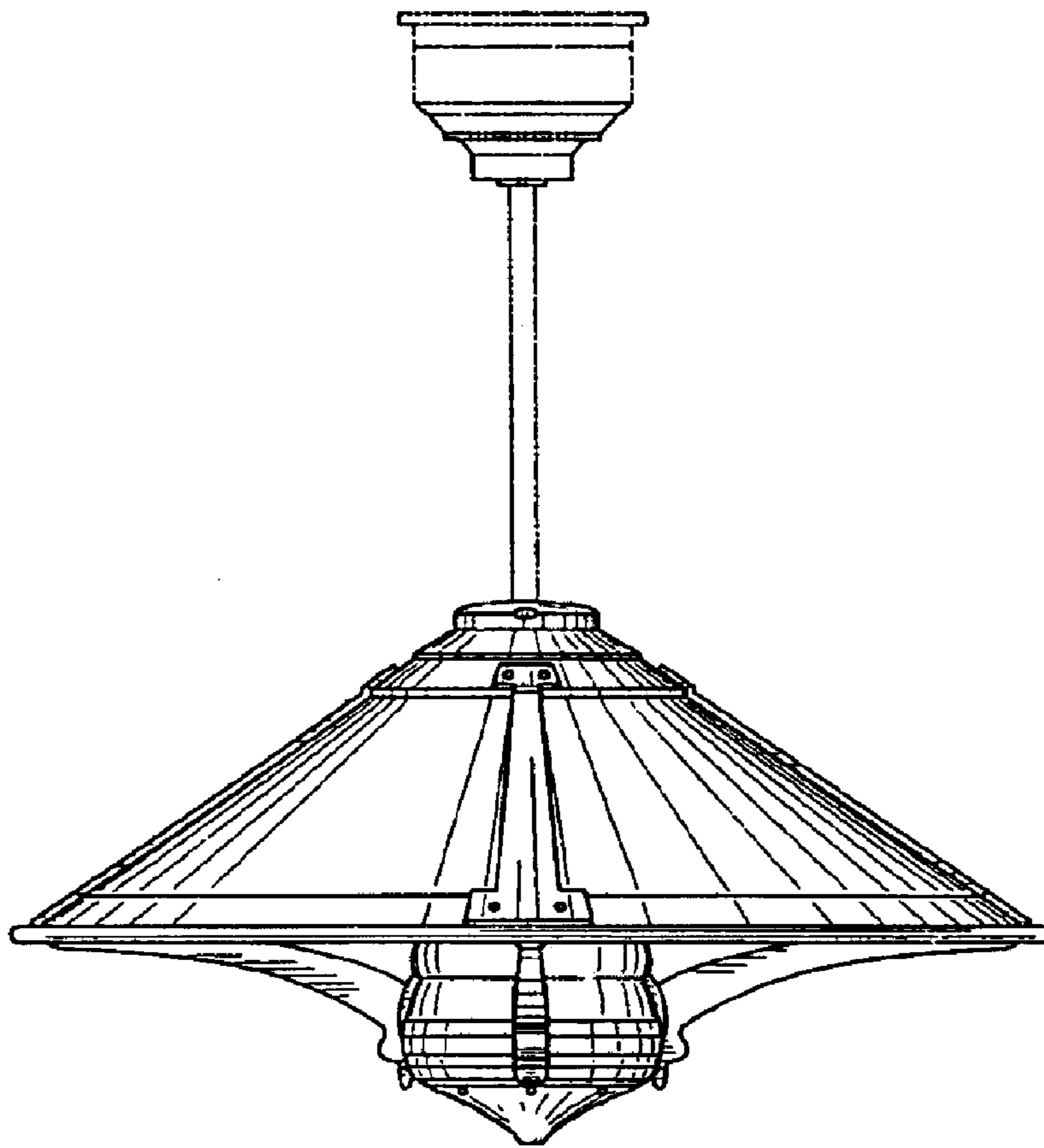


FIG. 14

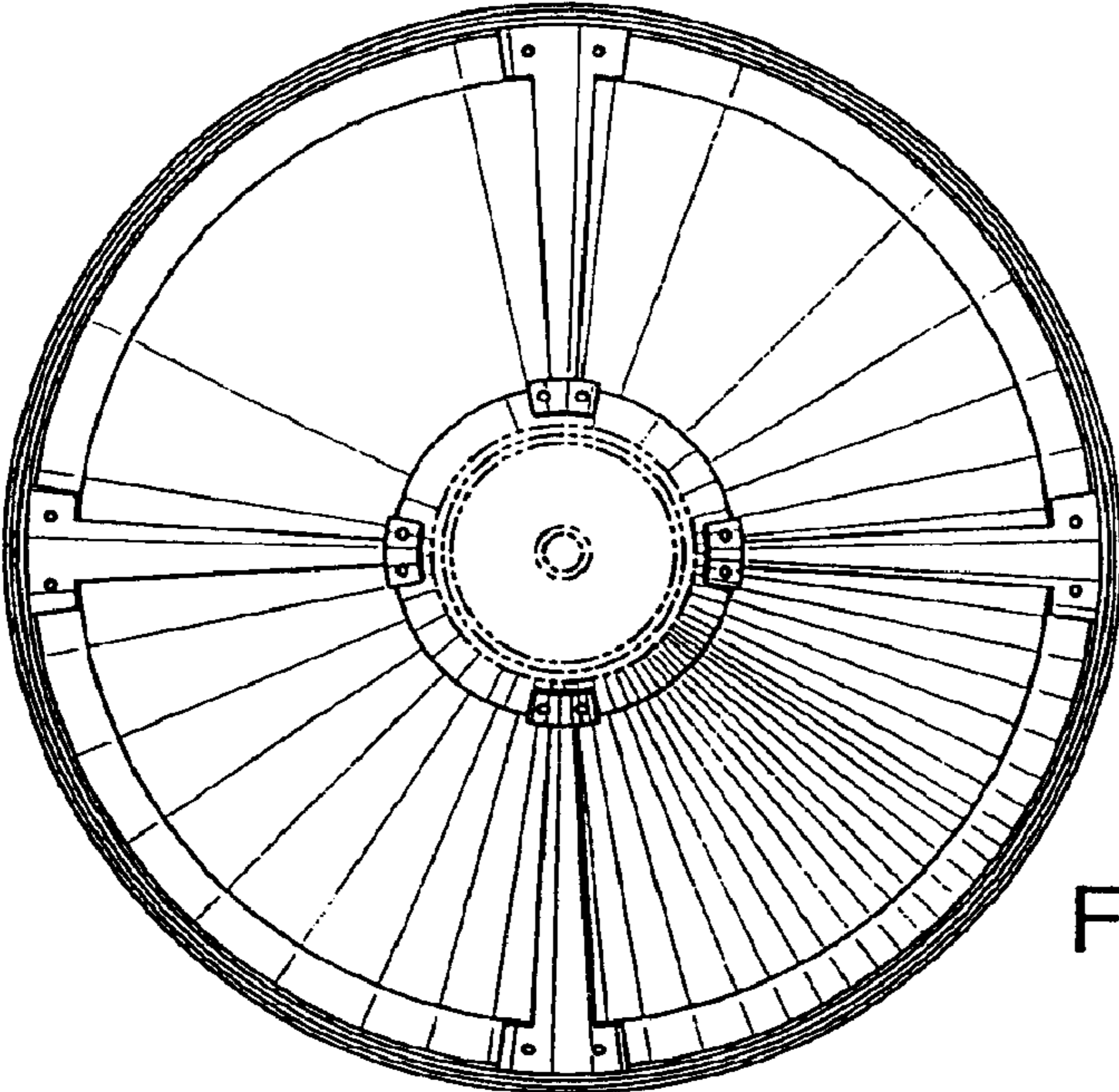


FIG. 15

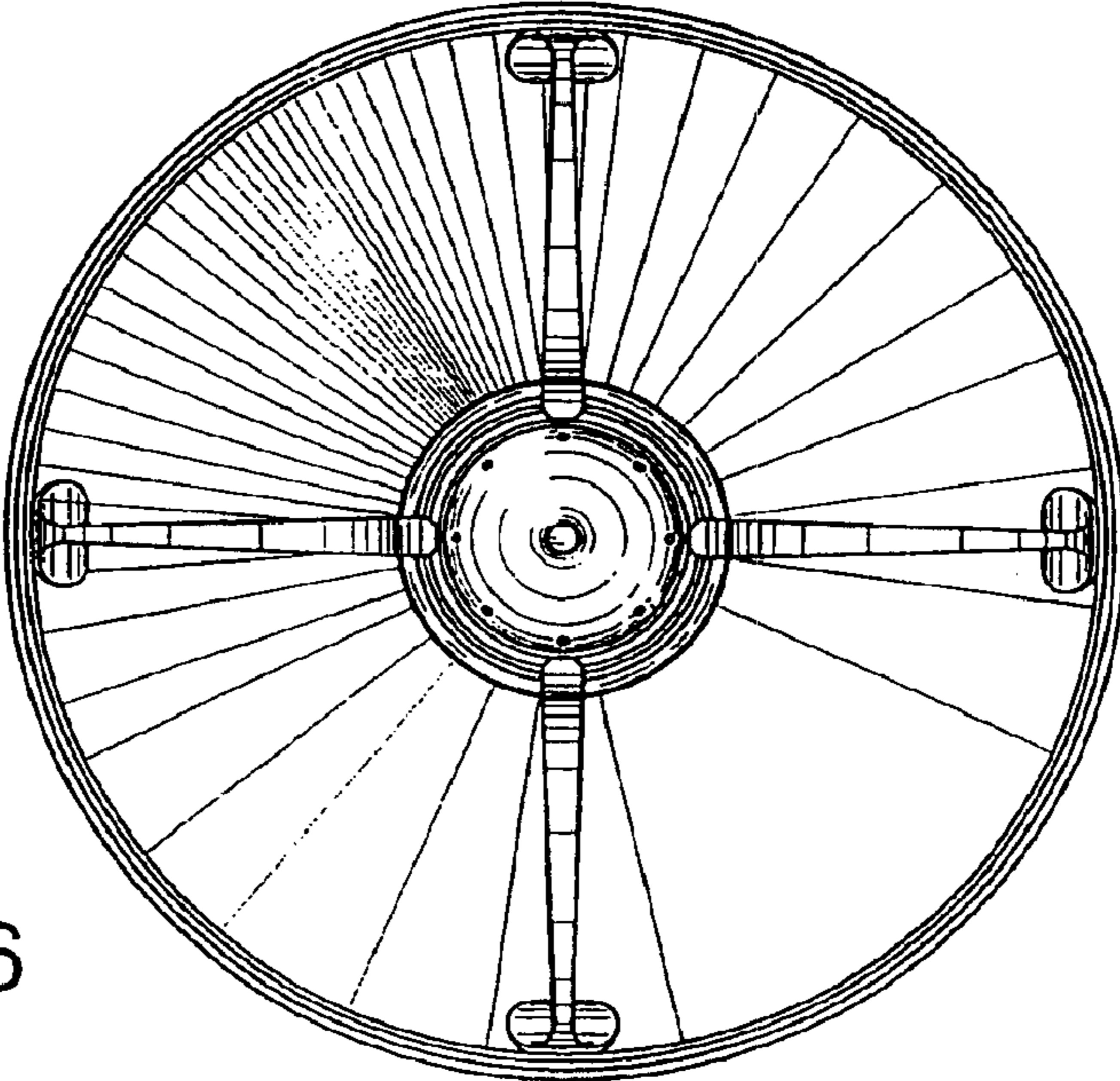


FIG. 16