

US00D506280S

(12) **United States Design Patent**
Chen

(10) **Patent No.:** **US D506,280 S**
(45) **Date of Patent:** **** Jun. 14, 2005**

(54) **LAMP**
(75) **Inventor:** **Chi-Gon Chen**, Guang Zhou (CN)
(73) **Assignee:** **International Development Corporation**, Southlake, TX (US)
(**) **Term:** **14 Years**

D469,907 S 2/2003 Chen
D469,908 S 2/2003 Chen
D469,909 S 2/2003 Chen
D483,138 S 12/2003 Chen
D484,630 S 12/2003 Chen
D484,631 S 12/2003 Chen
D485,000 S 1/2004 Chen
D485,001 S 1/2004 Chen
D485,930 S 1/2004 Chen
D499,831 S * 12/2004 Chen D26/68
D500,159 S * 12/2004 Chen D26/68
2003/0081406 A1 * 5/2003 Lin 362/96

(21) **Appl. No.:** **29/193,631**
(22) **Filed:** **Nov. 12, 2003**

(51) **LOC (8) Cl.** **26-05**
(52) **U.S. Cl.** **D26/67**
(58) **Field of Search** D26/67-72, 87,
D26/92, 118; 362/152, 153, 153.1, 159,
183, 266, 363, 431, 432

FOREIGN PATENT DOCUMENTS

CA 99516 6/2003
CA 99517 6/2003
CA 99518 6/2003
CA 99519 6/2003

* cited by examiner

(56) **References Cited**

U.S. PATENT DOCUMENTS

D106,031 S * 9/1937 Gosling D26/67
D202,440 S * 9/1965 Pettengill D26/67
D249,819 S * 10/1978 Asaki D26/67
D326,728 S * 6/1992 Layne D26/67
D329,099 S * 9/1992 Hall et al. D26/67
D346,873 S * 5/1994 Frost D26/67
D391,384 S * 2/1998 Lerch D26/67
D392,407 S * 3/1998 Johnson et al. D26/67
D421,316 S * 2/2000 Fiorato D26/74
D445,209 S 7/2001 Chen
D445,210 S 7/2001 Chen
D445,524 S 7/2001 Chen
D445,525 S 7/2001 Pan
D445,939 S 7/2001 Pan
D451,620 S 12/2001 Chen
D452,029 S 12/2001 Chen
D457,979 S 5/2002 Chen
D464,158 S * 10/2002 Hon Siu Cheong D26/67
D466,243 S 11/2002 Chen
D468,470 S 1/2003 Chen
D468,471 S 1/2003 Chen

Primary Examiner—Clare E Heflin

(74) *Attorney, Agent, or Firm*—Danamraj & Youst, P.C.;
Kenneth T. Emanuelson

(57) **CLAIM**

The ornamental design for a lamp, as shown and described.

DESCRIPTION

FIG. 1 is a perspective view of the lamp of my new design; FIG. 2 is a front elevation view of the lamp with the rear elevation view being identical thereto; FIG. 3 is a right side elevation view of the lamp with the left side elevation view being identical thereto; FIG. 4 is a top plan view thereof; and, FIG. 5 is a bottom plan view thereof. The broken lines showing a base for the lamp are for illustrative purposes only and form no part of the claimed design.

1 Claim, 2 Drawing Sheets

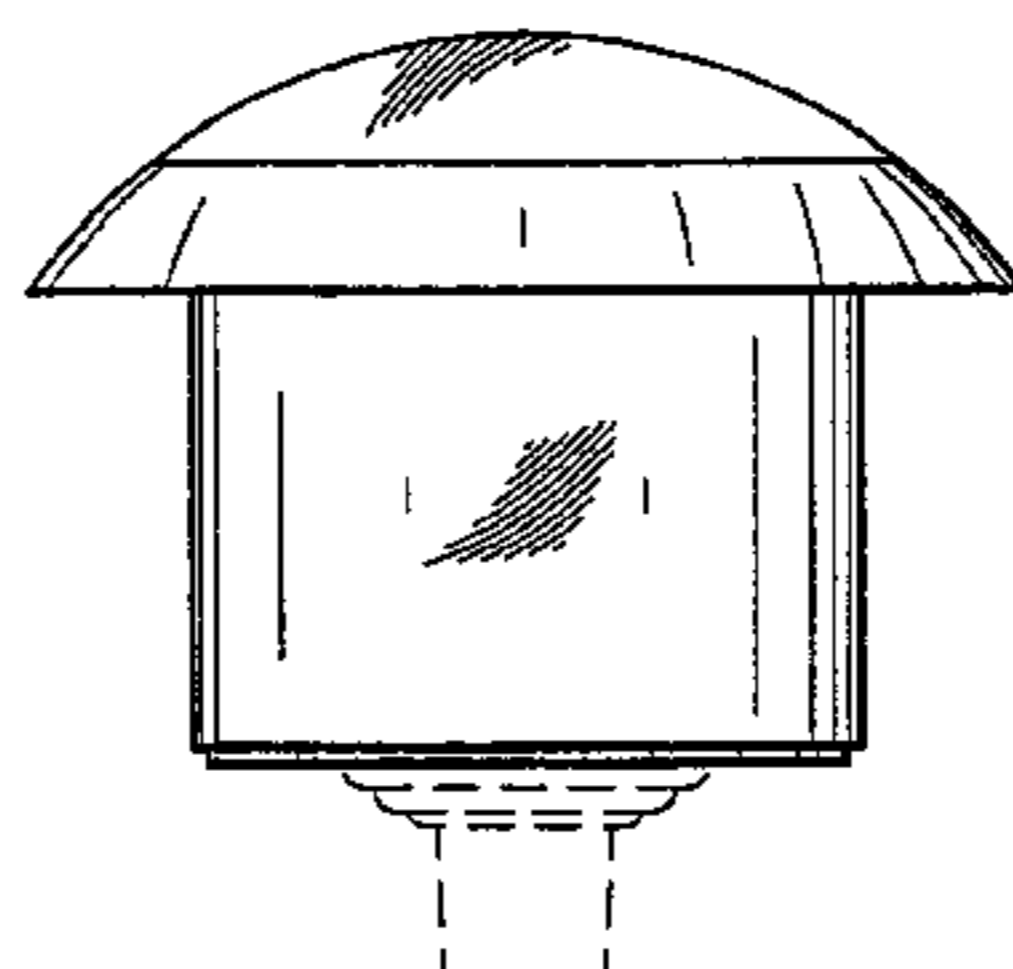
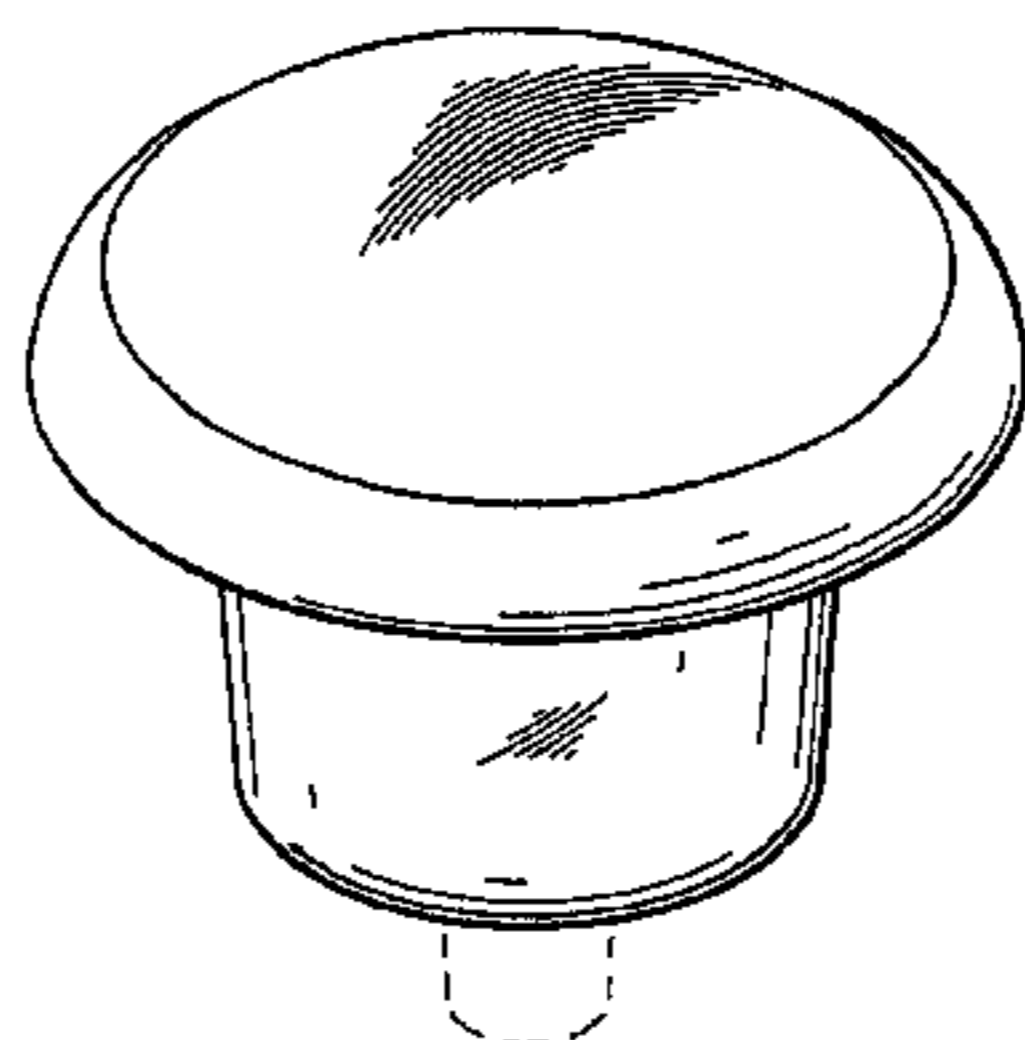


FIG. 1

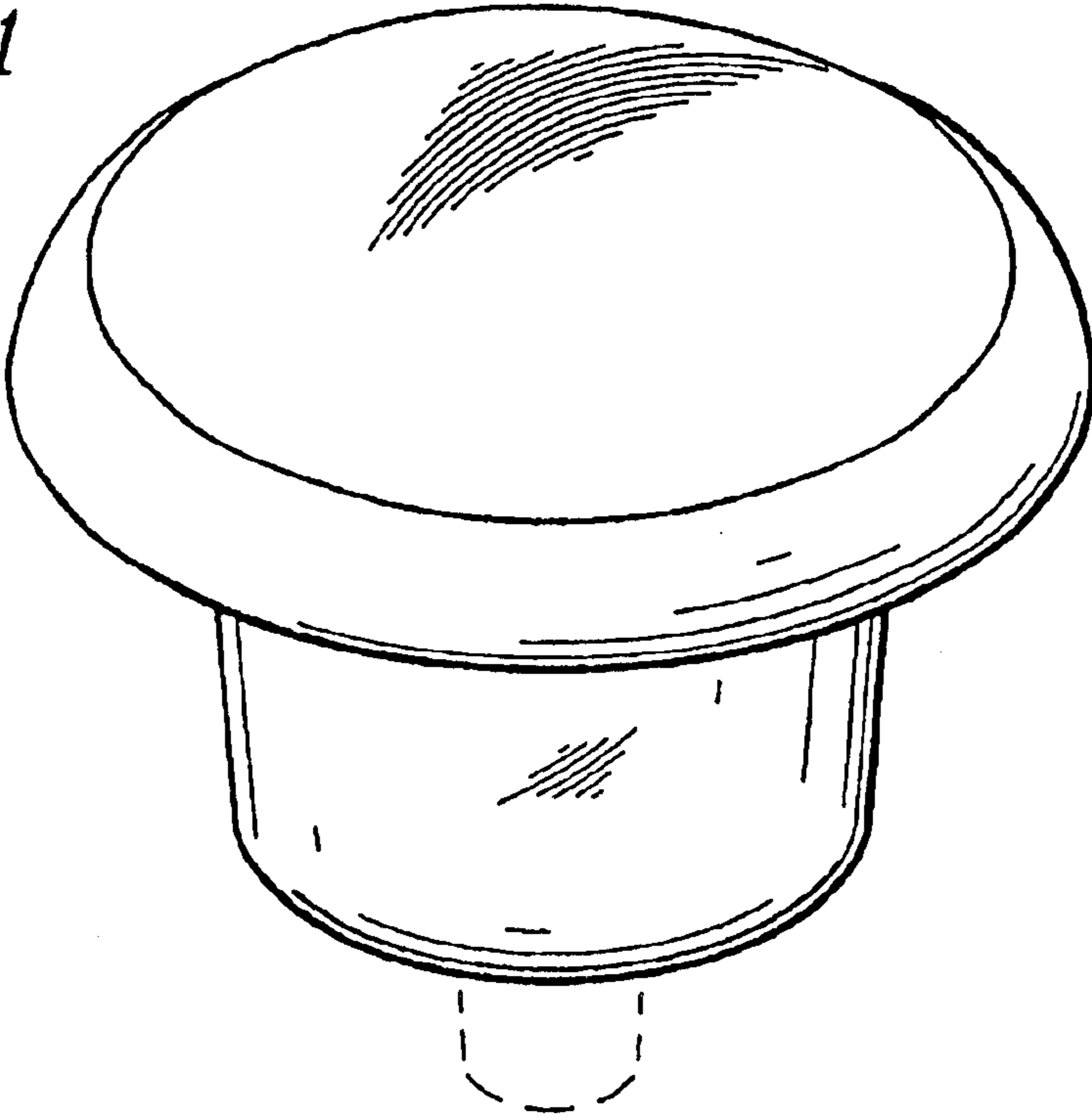


FIG. 2

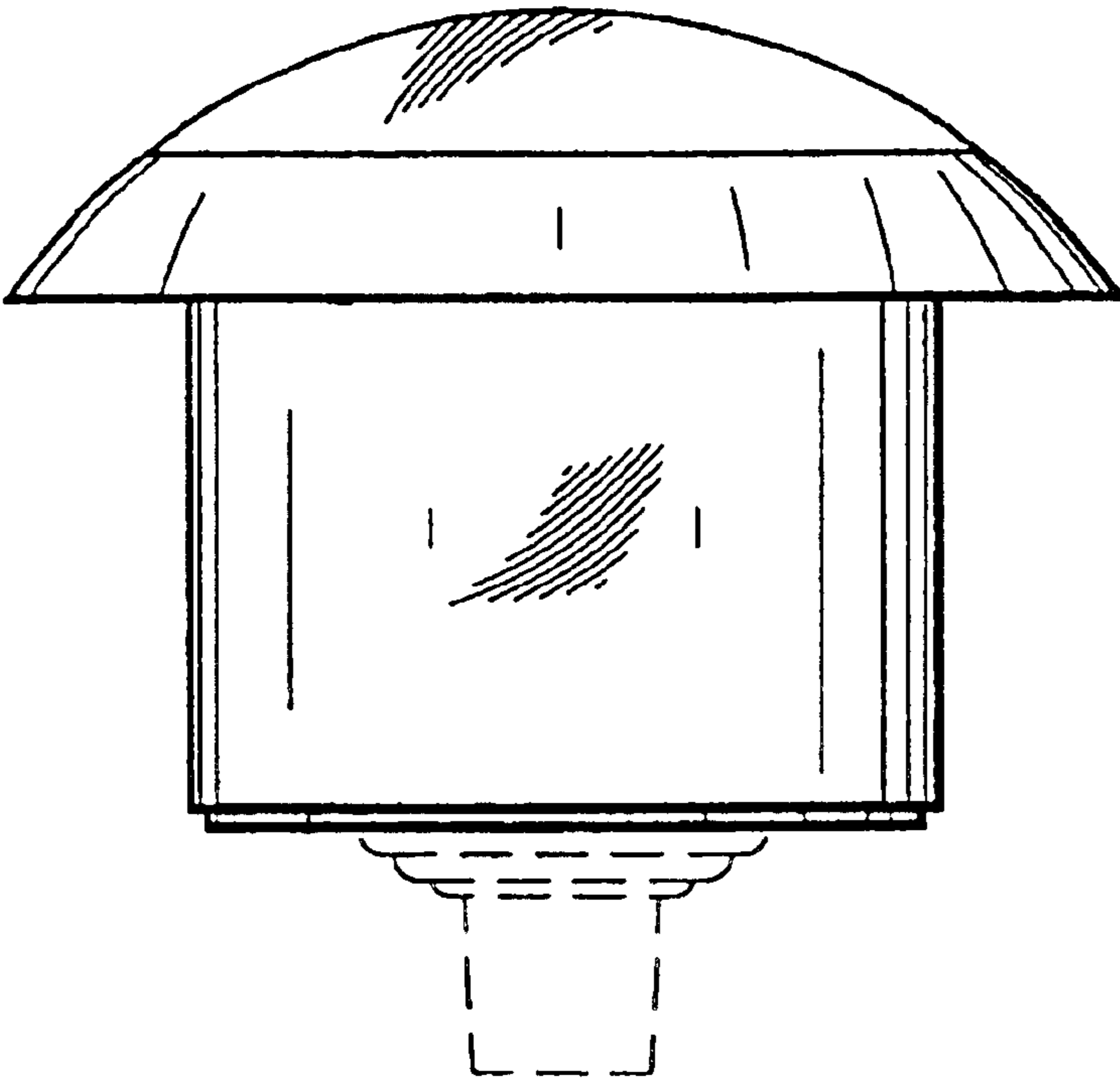


FIG. 4

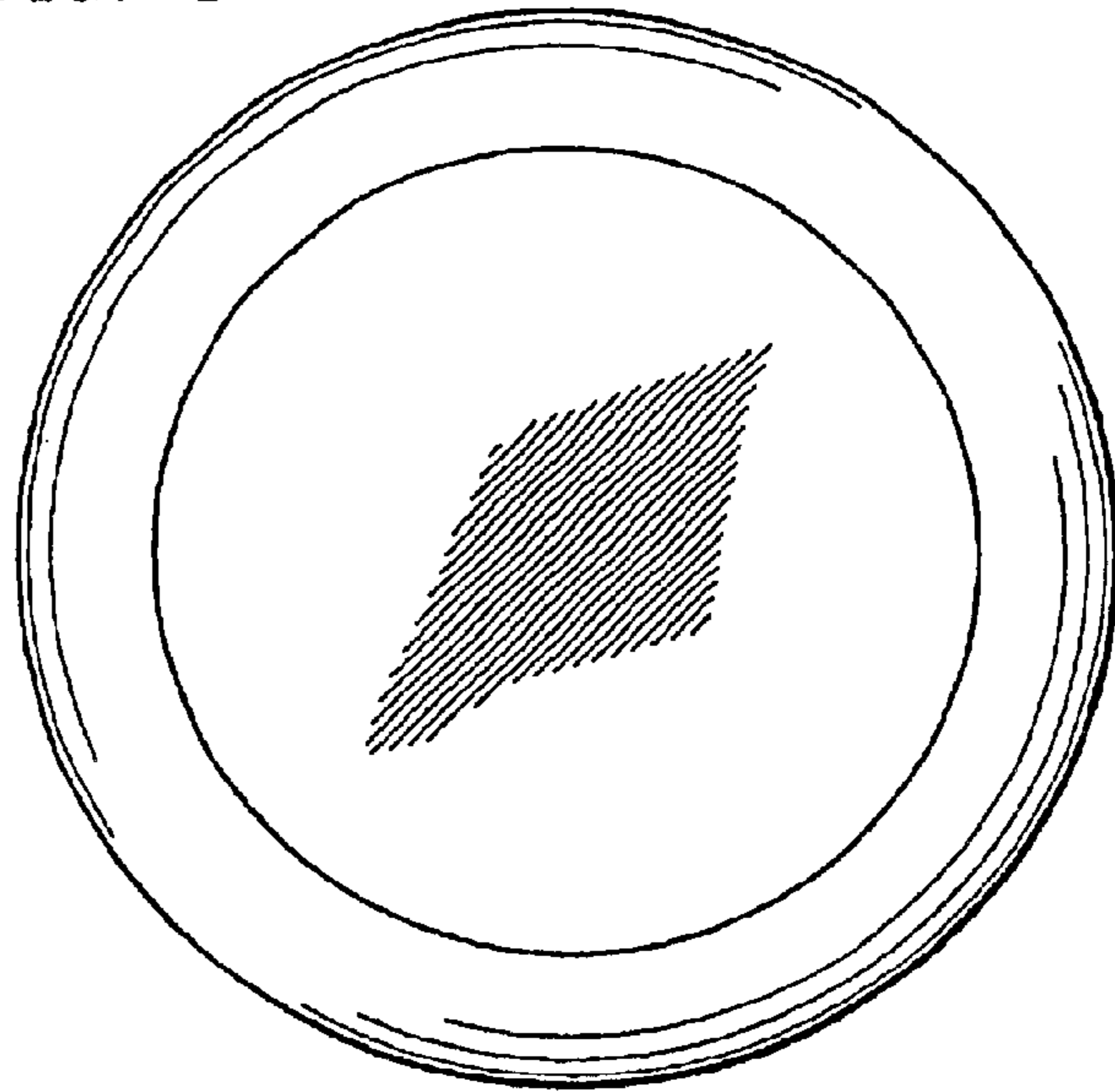


FIG. 3

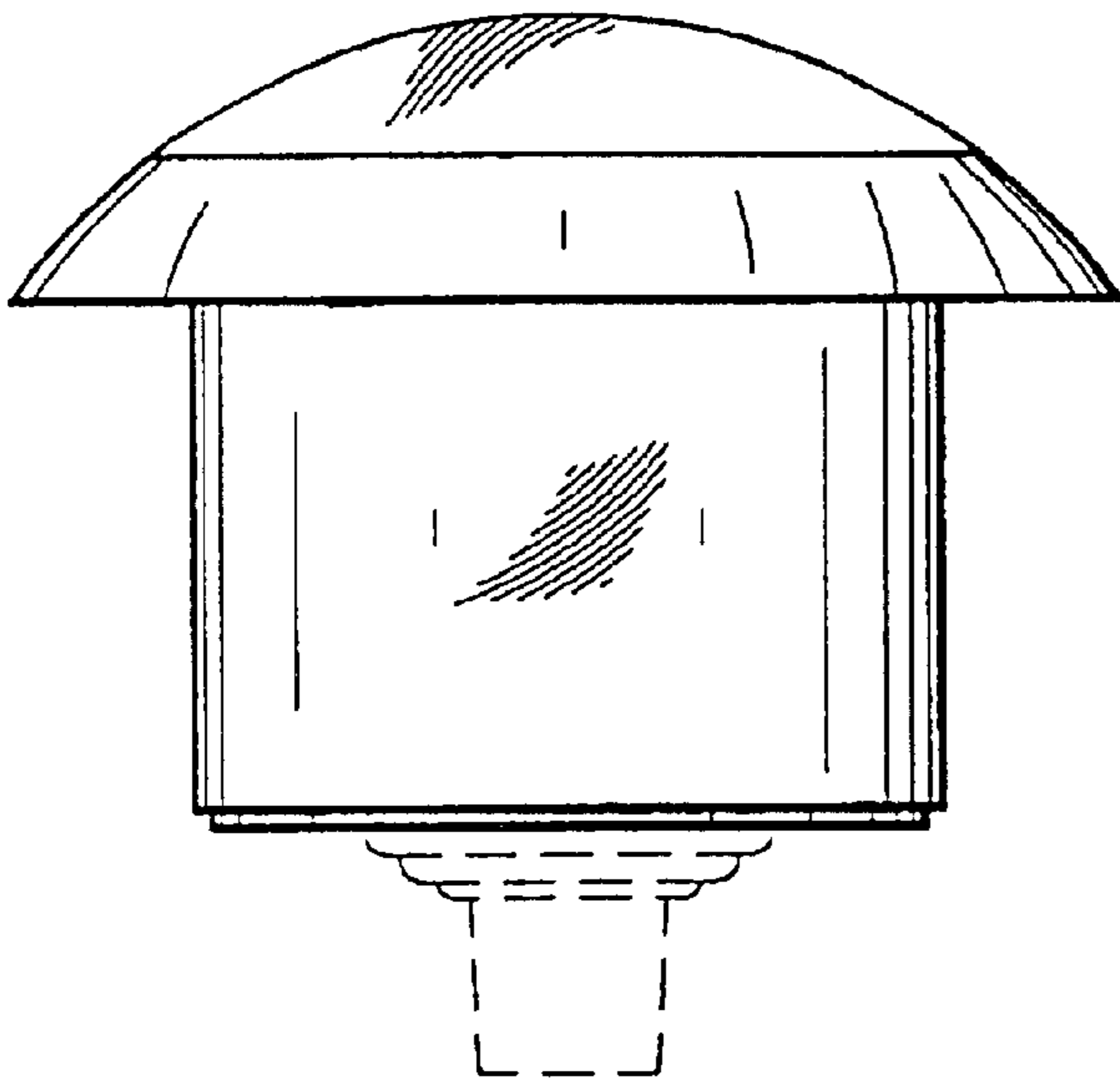


FIG. 5

