

US00D506279S

(12) **United States Design Patent**  
**Sirichai et al.**

(10) **Patent No.: US D506,279 S**  
(45) **Date of Patent: \*\* Jun. 14, 2005**

(54) **PORTABLE LIGHT DEVICE**

(75) Inventors: **Saharut Sirichai**, Culver City, CA (US); **Ernesto Quinteros**, Los Angeles, CA (US); **Vijendra Nalwad**, Newbury Park, CA (US); **Vincent Razo**, Granada Hills, CA (US)

(73) Assignee: **Belkin Corporation**, Compton, CA (US)

(\*\*) Term: **14 Years**

(21) Appl. No.: **29/177,153**

(22) Filed: **Mar. 3, 2003**

(51) **LOC (8) Cl. .... 26-05**

(52) **U.S. Cl. .... D26/60**

(58) **Field of Search** ..... D26/24, 37-39, D26/60-66, 72; 362/33, 98, 99, 157, 183, 187, 189, 190, 194-200, 396, 804

(56) **References Cited**

**U.S. PATENT DOCUMENTS**

1,651,307 A 11/1927 Wilkinson  
D238,959 S 2/1976 Kurokawa  
D251,687 S 4/1979 Kurokawa

(Continued)

**FOREIGN PATENT DOCUMENTS**

GB 2 113818 A 8/1983  
WO PCT/US91/07423 4/1992

**OTHER PUBLICATIONS**

Internet. *Lewis N. Clark Travel Solutions*; [<http://www.lewisnclark.com/products/products.asp?ProductID=1209&CatID=306>]; Oct. 6, 2003.

Internet. *Targus*; [[http://www.targus.com/us/product\\_details.asp?sku=PA015U](http://www.targus.com/us/product_details.asp?sku=PA015U)]; Oct. 3, 2003.

Internet. *Targus*; [[http://www.targus.com/us/product\\_details.asp?sku=PA017U](http://www.targus.com/us/product_details.asp?sku=PA017U)]; Oct. 3, 2003.

ecfilm.net. Description of DICOTANotebook Light product [online], [retrieved on Jan. 3, 2003]. Retrieved from the Internet <URL: <http://www.ecfilm.net/shopnblight.html>>.

M and S Plus Corp. Description of USB Notebook Light product [online], [retrieved on Jan. 3, 2003], Retrieved from the Internet. <URL:<http://www.mmic.com/product.asp?3=57>>.

Hama. Description of USB Notebook Light product [online], [retrieved on Dec. 10, 2001], Retrieved from the Internet. <URL: [http://www.hama.de/service/presstreff/pr.../KompaktesNotebookZubehoer\\_von\\_Hama.ht](http://www.hama.de/service/presstreff/pr.../KompaktesNotebookZubehoer_von_Hama.ht)>.

Nobrand. Description of USB Notebook Light product [online], [retrieved on Jan. 30, 2003], Retrieved from the Internet. <URL:<http://vtama.com/shopu/usblight/>>.

911 ForPCs.com. Description of Kensington 62641 USB Notebook Light Flylight product [online], [retrieved on Jan. 30, 2003], Retrieved from the Internet. <URL:<http://www.911forpcs.com/usbnoligfly.html>>.

Kensington. Description of Flylight™, and FlyLight™ Platinum, FlyLight™ Notebook Light products [online], [retrieved on Jan. 30, 2003]. Retrieved from the Internet. <URL:<http://www.kensington.com/html/1421.html>>.

*Primary Examiner*—Clare E Heflin

(74) *Attorney, Agent, or Firm*—Bryan Cave LLP

(57) **CLAIM**

We claim the ornamental design for the portable light device, as shown and described.

**DESCRIPTION**

FIG. 1 is a top, right, front, isometric view of a portable light device in a first position;

FIG. 2 is a left side elevational view of the portable light device in a second position, the right side elevational view being a mirror image of the left side elevational view;

FIG. 3 is a top planar view thereof;

FIG. 4 is a bottom planar view thereof;

FIG. 5 is a front elevational view thereof;

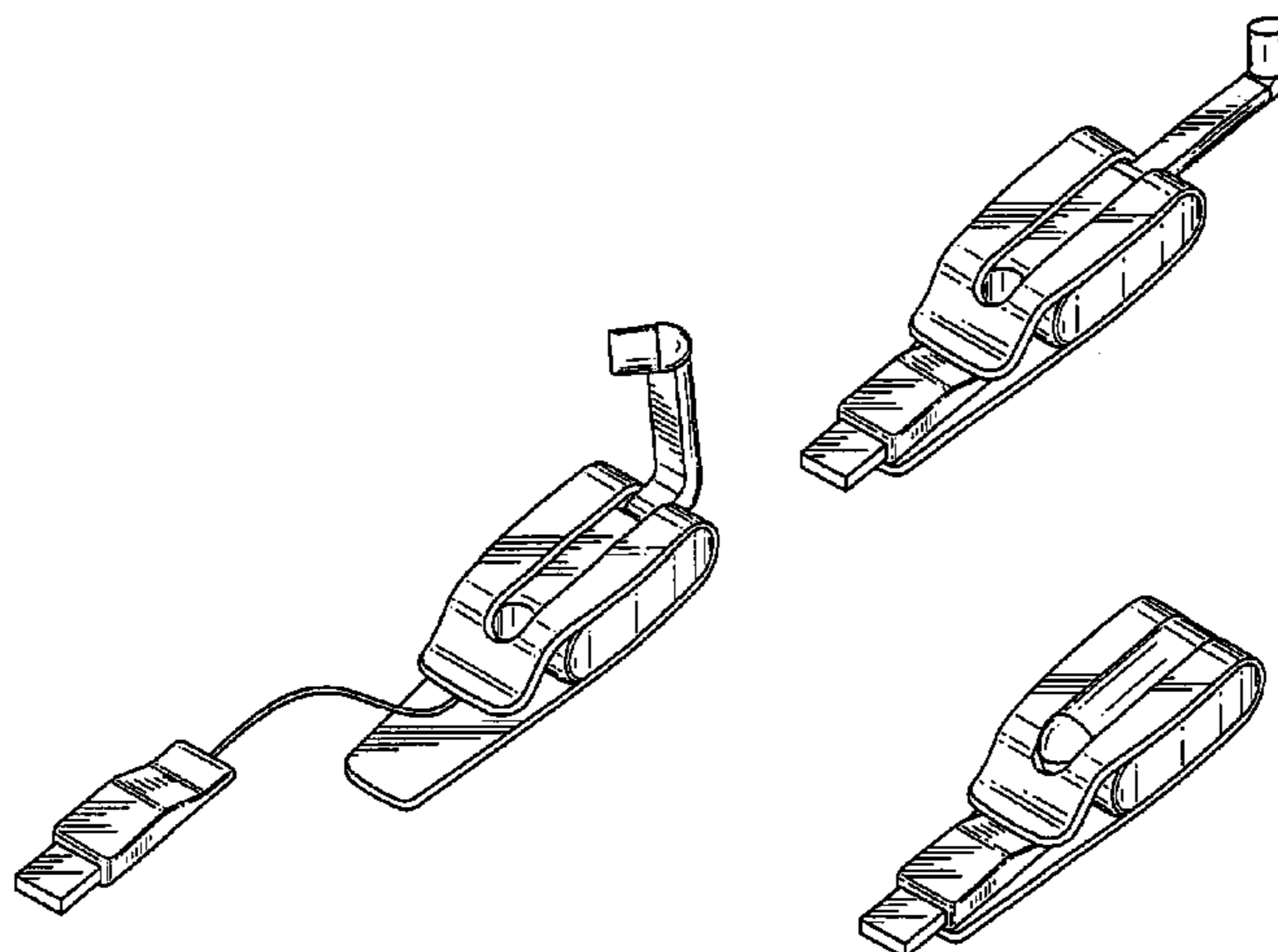
FIG. 6 is a rear elevational view thereof;

FIG. 7 is a bottom, left, rear, isometric view thereof;

FIG. 8 is a top, right, front, isometric view thereof; and,

FIG. 9 is a top, right, front, isometric view of the portable light device in a third position.

**1 Claim, 2 Drawing Sheets**



# US D506,279 S

Page 2

## U.S. PATENT DOCUMENTS

4,312,507 A	1/1982	Smith et al.		5,684,513 A	11/1997	Decker	
D271,526 S	* 11/1983	Zeller .....	D26/60	5,707,137 A	1/1998	Hon	
5,034,864 A	7/1991	Sonneman		5,722,754 A	3/1998	Langner	
5,091,832 A	2/1992	Tortola et al.		5,803,572 A	9/1998	Brada	
5,091,834 A	2/1992	Kao et al.		D405,203 S	* 2/1999	Tobianski .....	D26/60
5,122,937 A	6/1992	Stoudemire		D405,798 S	2/1999	Shulman	
5,122,941 A	6/1992	Gross et al.		5,868,487 A	2/1999	Polley et al.	
5,130,907 A	7/1992	Tortola et al.		5,899,553 A	5/1999	Howell	
5,136,477 A	8/1992	Lemmey		D418,240 S	12/1999	Sherman	
5,172,974 A	12/1992	Riban		6,145,992 A	11/2000	Wattenburg	
5,183,325 A	2/1993	Hurdle		D435,679 S	12/2000	Naghi et al.	
5,203,622 A	4/1993	Sottile		6,161,944 A	12/2000	Leman	
5,217,295 A	6/1993	Tortola et al.		6,168,292 B1	1/2001	Sherman	
5,325,280 A	6/1994	Tortola et al.		6,186,636 B1	2/2001	Naghi et al.	
5,379,201 A	1/1995	Friedman		6,260,984 B1	7/2001	Naghi et al.	
D364,000 S	11/1995	Friedman		6,273,581 B1	8/2001	Neiser	
5,486,986 A	1/1996	Brada		6,318,873 B1	11/2001	Naghi et al.	
5,590,950 A	1/1997	Hildebrand		D452,026 S	12/2001	Naghi et al.	
D377,840 S	2/1997	Chang		2001/0043468 A1	11/2001	Krietzman et al.	
5,615,945 A	4/1997	Tseng					

\* cited by examiner

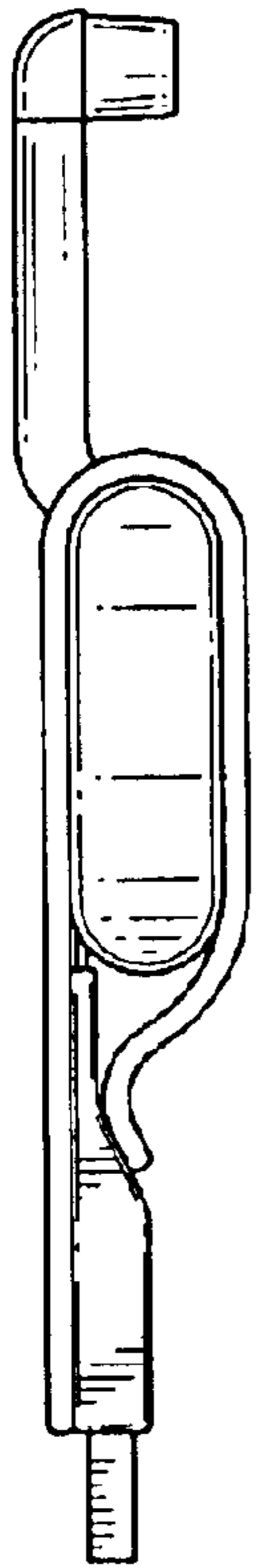


FIG. 2

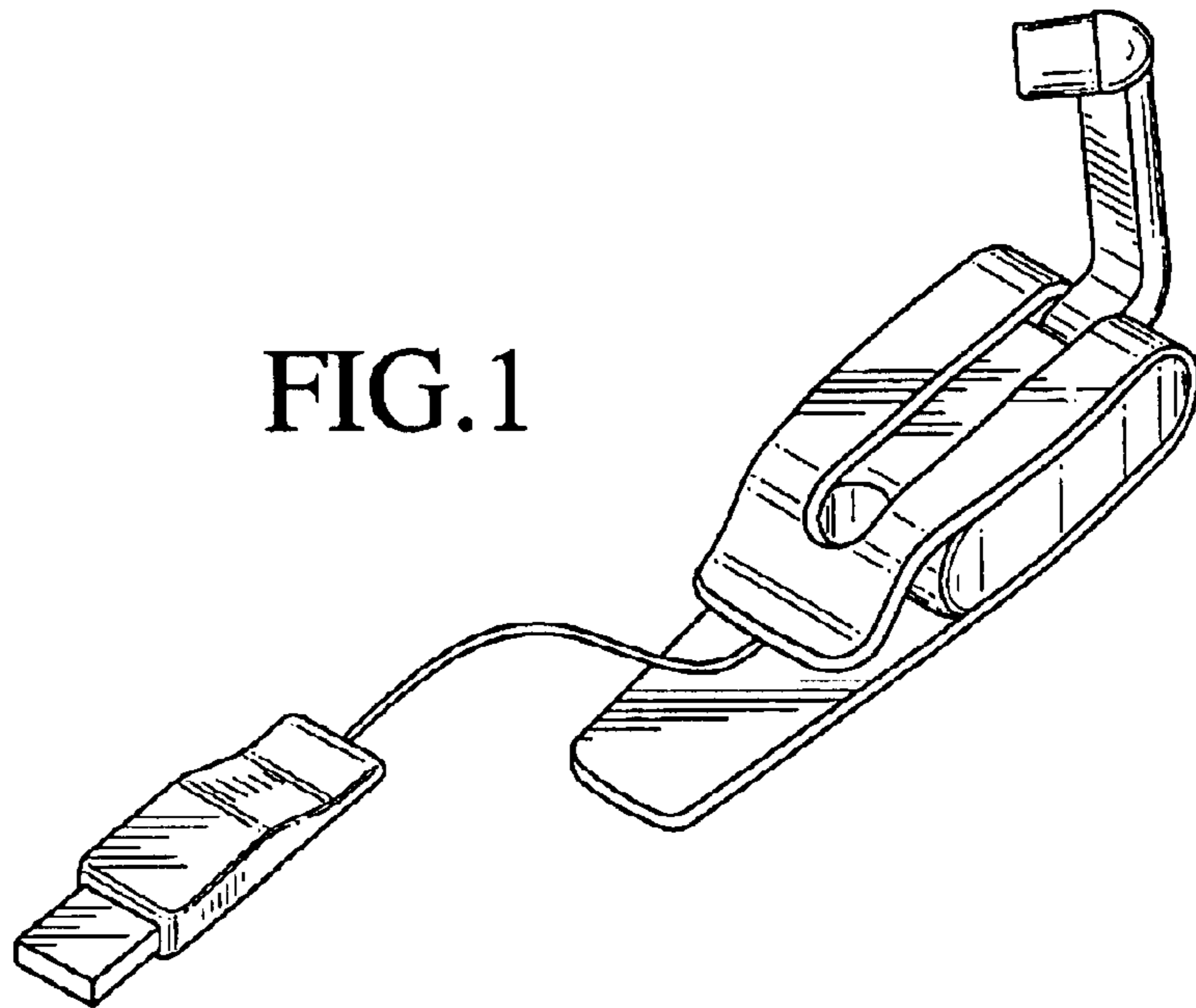


FIG. 1

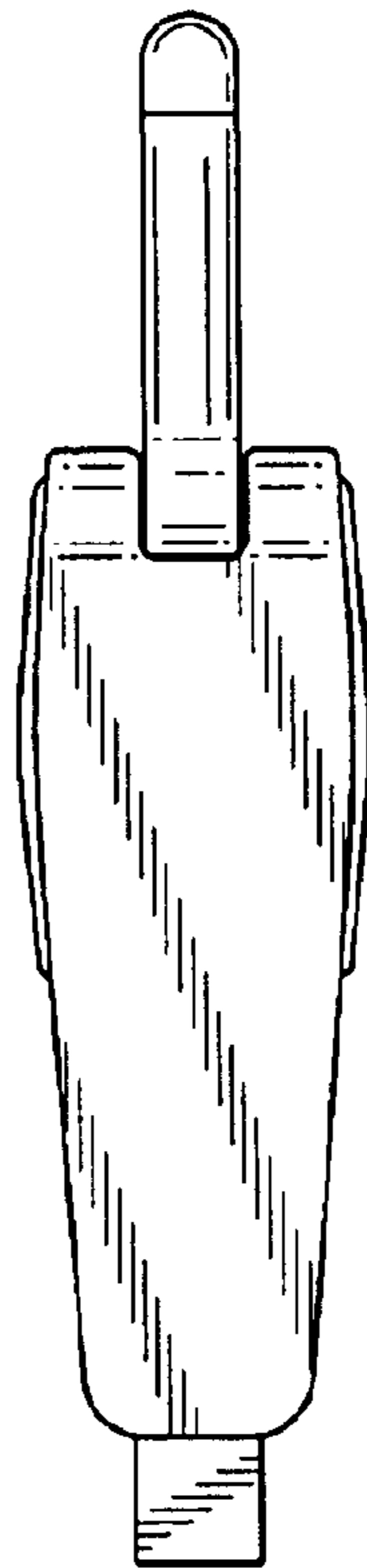


FIG. 4

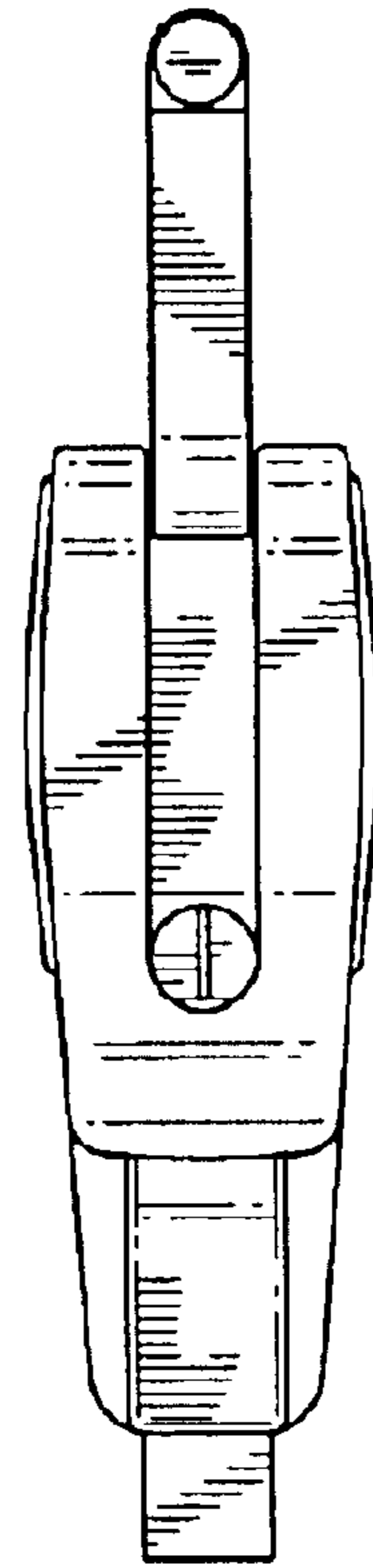


FIG. 3

FIG. 5

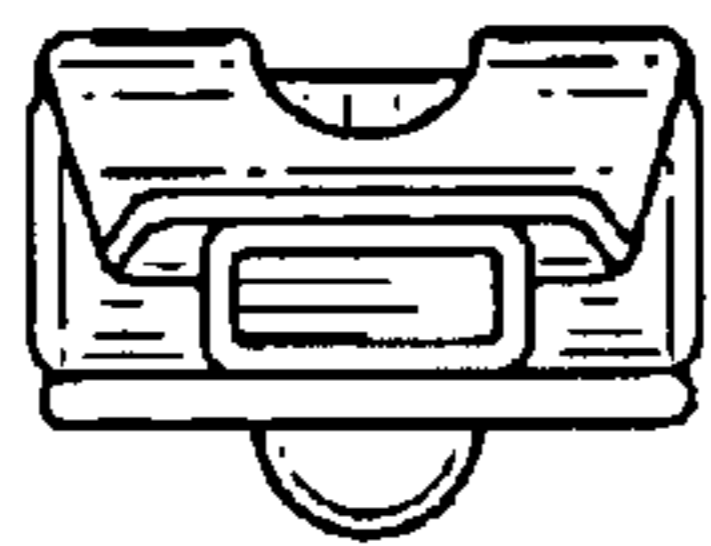
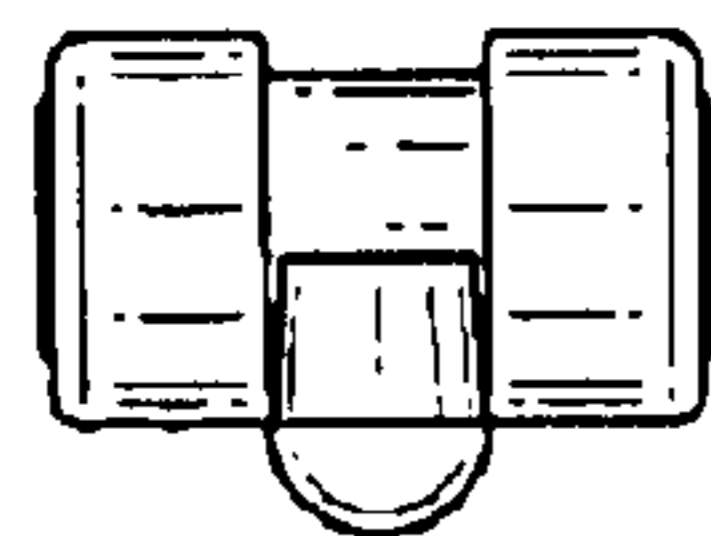


FIG. 6



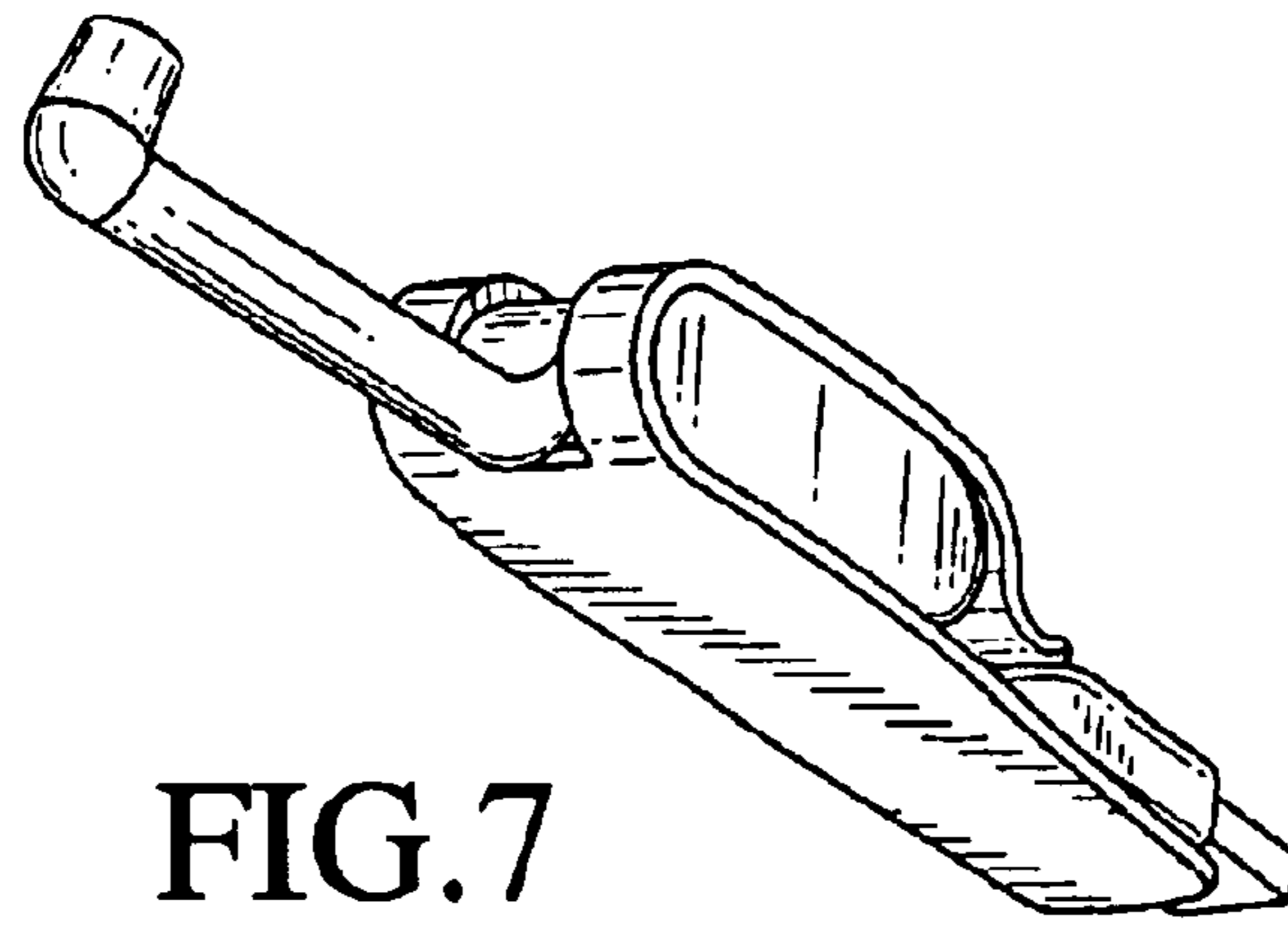


FIG. 7

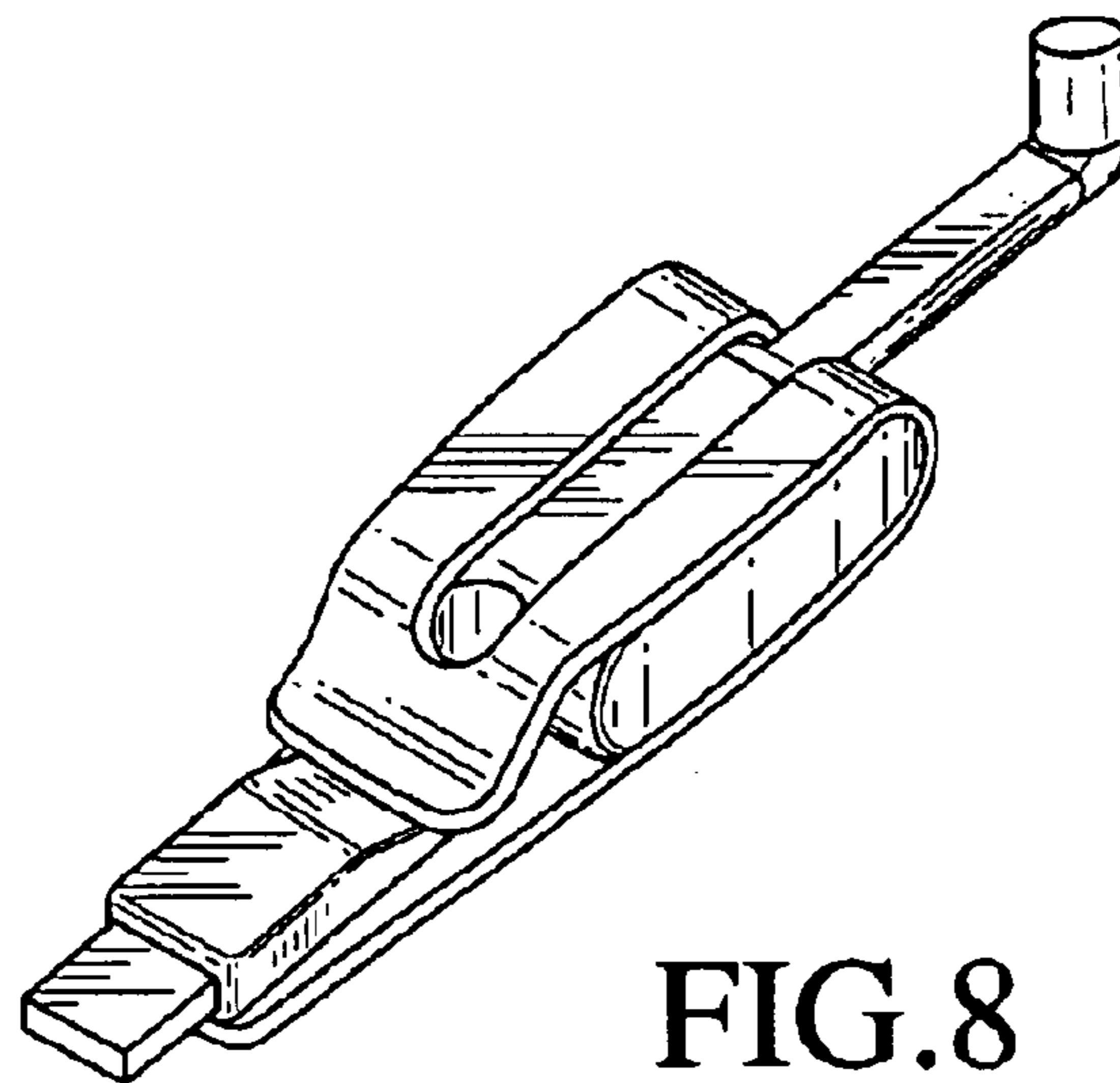


FIG. 8

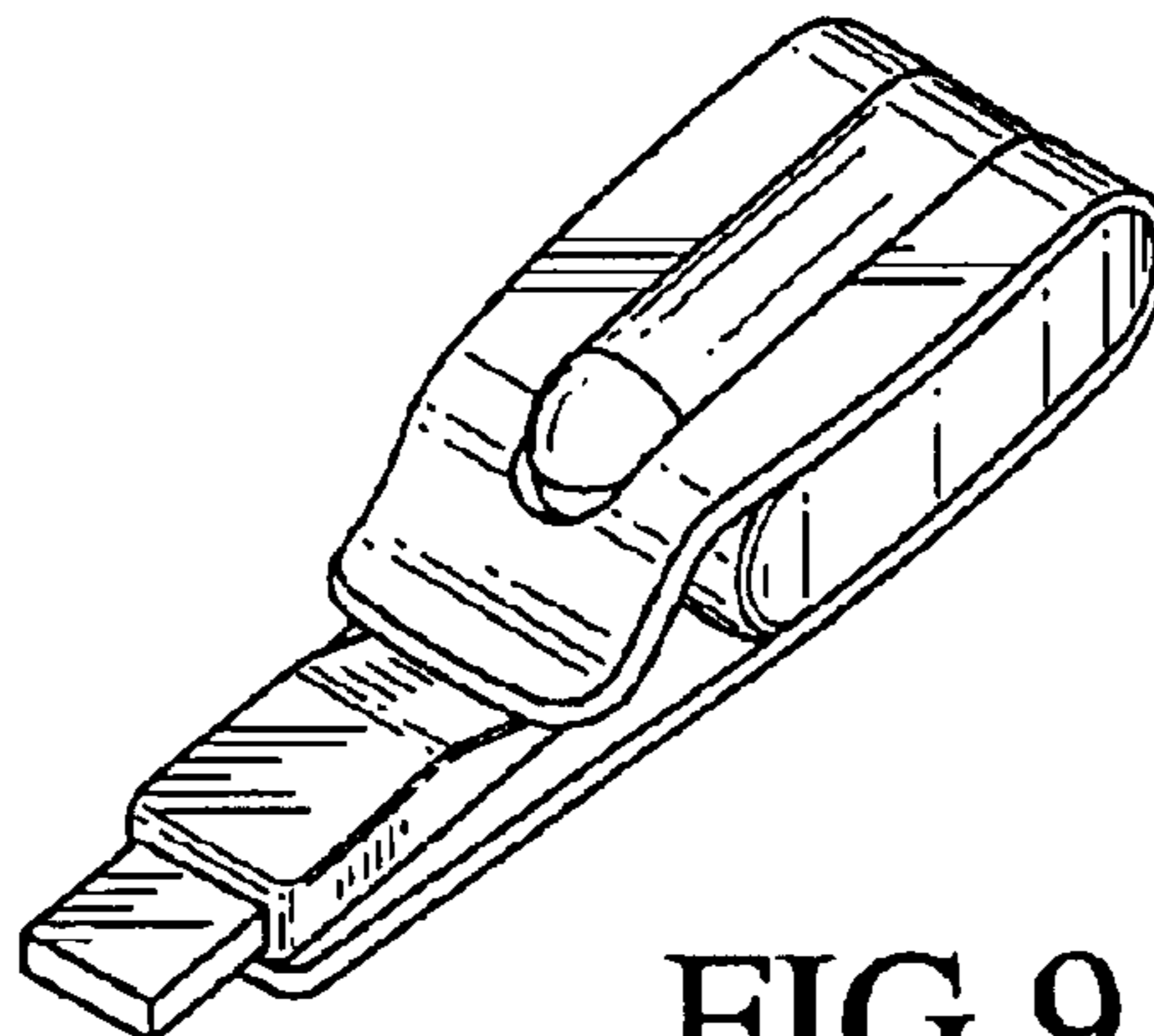


FIG. 9