

US00D506271S

(12) **United States Design Patent**
Westby et al.

(10) **Patent No.: US D506,271 S**

(45) **Date of Patent: ** Jun. 14, 2005**

(54) **STEP RISER**

6,230,454 B1 * 5/2001 Meagher 52/182

(75) Inventors: **Richard J. Westby**, Danbury, CT (US);
Kehinde Odunsi, Wingdale, NY (US)

* cited by examiner

(73) Assignee: **Allwood Stillwell Stairs & Railings, Inc.**, Goldens Bridge, NY (US)

Primary Examiner—Doris Clark
(74) *Attorney, Agent, or Firm*—Connolly Bove Lodge & Hutz LLP; Myron K. Wyche

(**) Term: **14 Years**

(57) **CLAIM**

The ornamental design for a step riser, as shown and described.

(21) Appl. No.: **29/202,123**

(22) Filed: **Mar. 26, 2004**

DESCRIPTION

(51) **LOC (8) Cl.** **25-04**

(52) **U.S. Cl.** **D25/69**

(58) **Field of Search** D25/69; 52/182,
52/188, 191, 190

FIG. 1 is a top-front perspective view showing our new design;

FIG. 2 is a bottom-front perspective view thereof; and,

FIG. 3 is a front elevational view thereof.

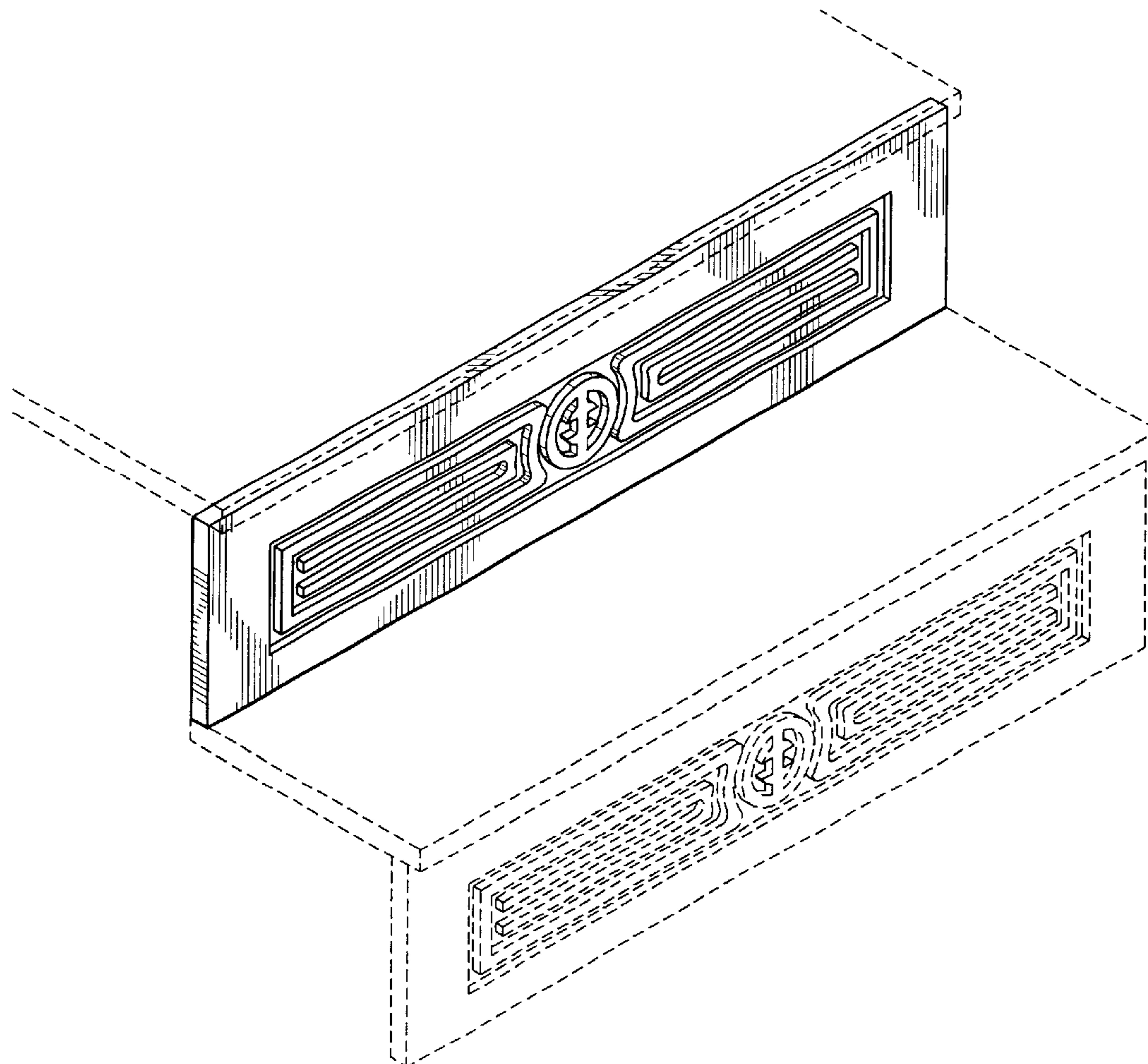
The broken lines are for illustrative purposes only and form no part of the claimed design.

(56) **References Cited**

U.S. PATENT DOCUMENTS

D424,707 S * 5/2000 Shackelford D25/69

1 Claim, 1 Drawing Sheet



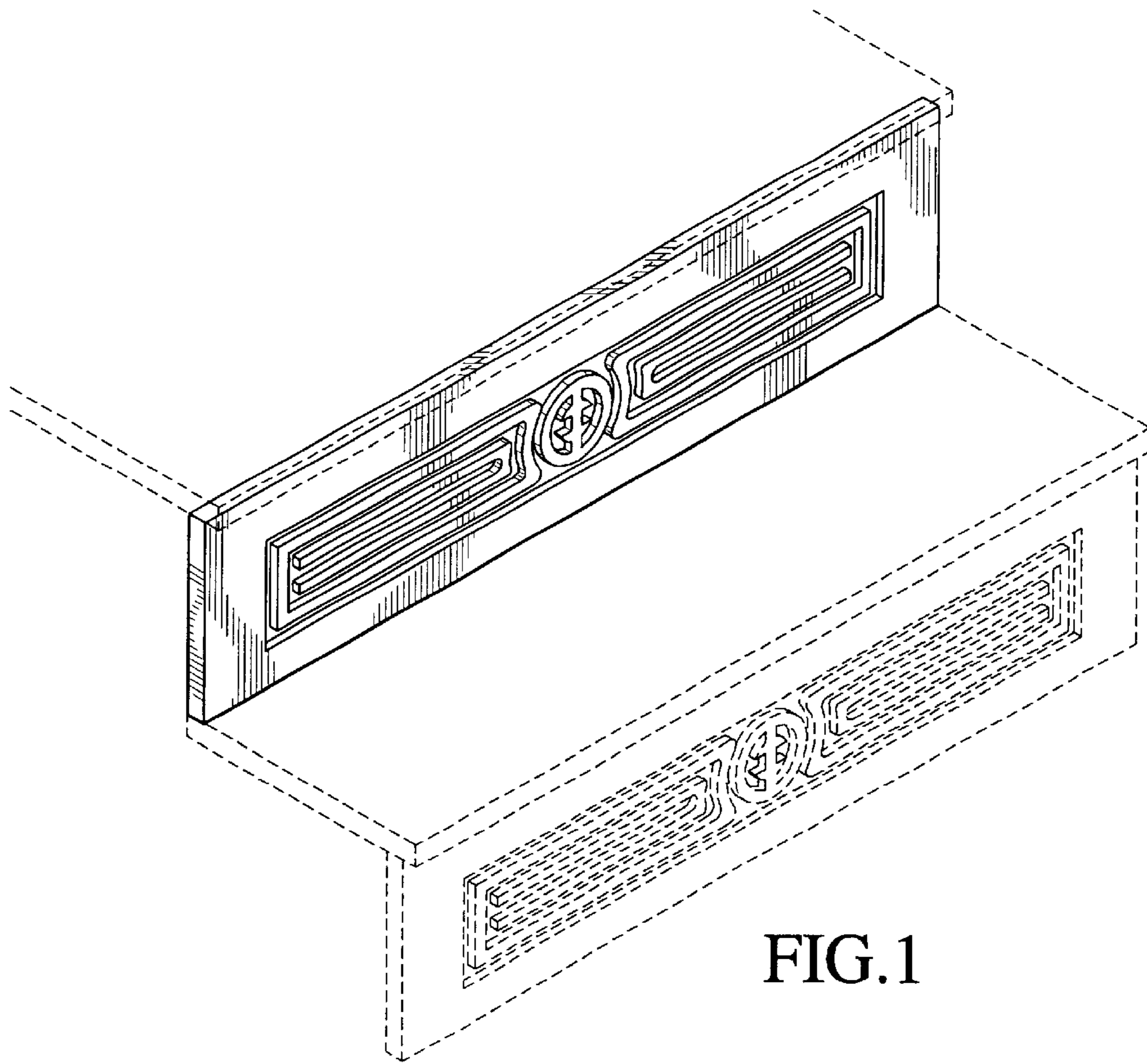


FIG. 1

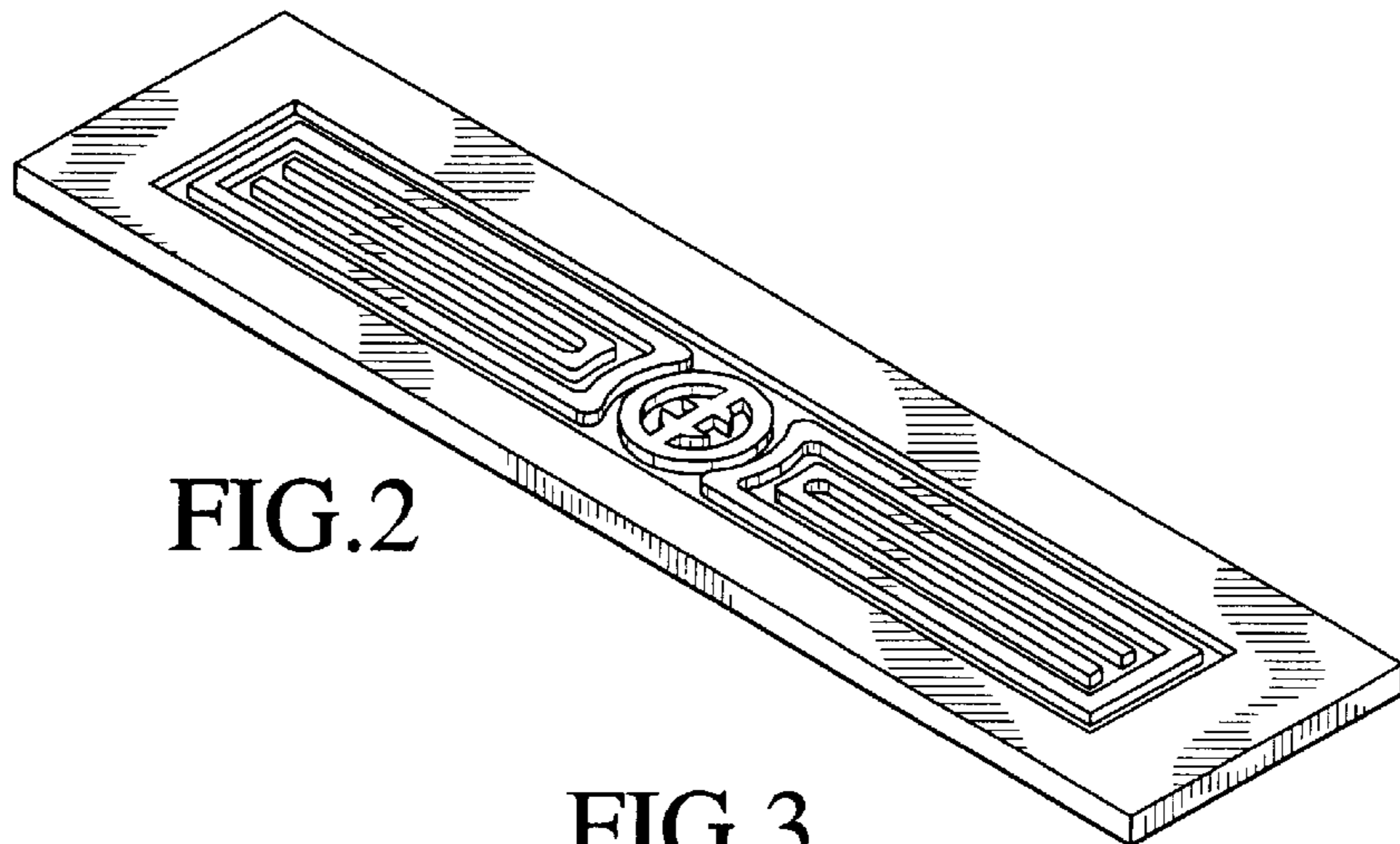


FIG. 2

FIG. 3

