

US00D506270S

(12) **United States Design Patent**
Rieger

(10) **Patent No.:** **US D506,270 S**

(45) **Date of Patent:** **** Jun. 14, 2005**

(54) **LADDER FOOT**

(75) Inventor: **Paul J. Rieger**, Arrington, TN (US)

(73) Assignee: **Triton Boat Company, L.P.**, Ashland City, TN (US)

(**) Term: **14 Years**

(21) Appl. No.: **29/207,960**

(22) Filed: **Jun. 22, 2004**

(51) **LOC (8) Cl.** **25-04**

(52) **U.S. Cl.** **D25/68**

(58) **Field of Search** D25/68, 69; 182/108,
182/109

(56) **References Cited**

U.S. PATENT DOCUMENTS

3,390,739 A * 7/1968 Hastings 182/108
D412,210 S * 7/1999 Opeka D25/68

* cited by examiner

Primary Examiner—Doris Clark

(74) *Attorney, Agent, or Firm*—Luedeka, Neely & Graham, P.C.

(57) **CLAIM**

The ornamental design for a ladder foot, as shown and described.

DESCRIPTION

FIG. 1 is a perspective view looking generally at the bottom of my new design;

FIG. 2 is a bottom view of my new design;

FIG. 3 is a top view of my new design;

FIG. 4 is a front elevational view of my new design;

FIG. 5 is a left side elevational view of my new design;

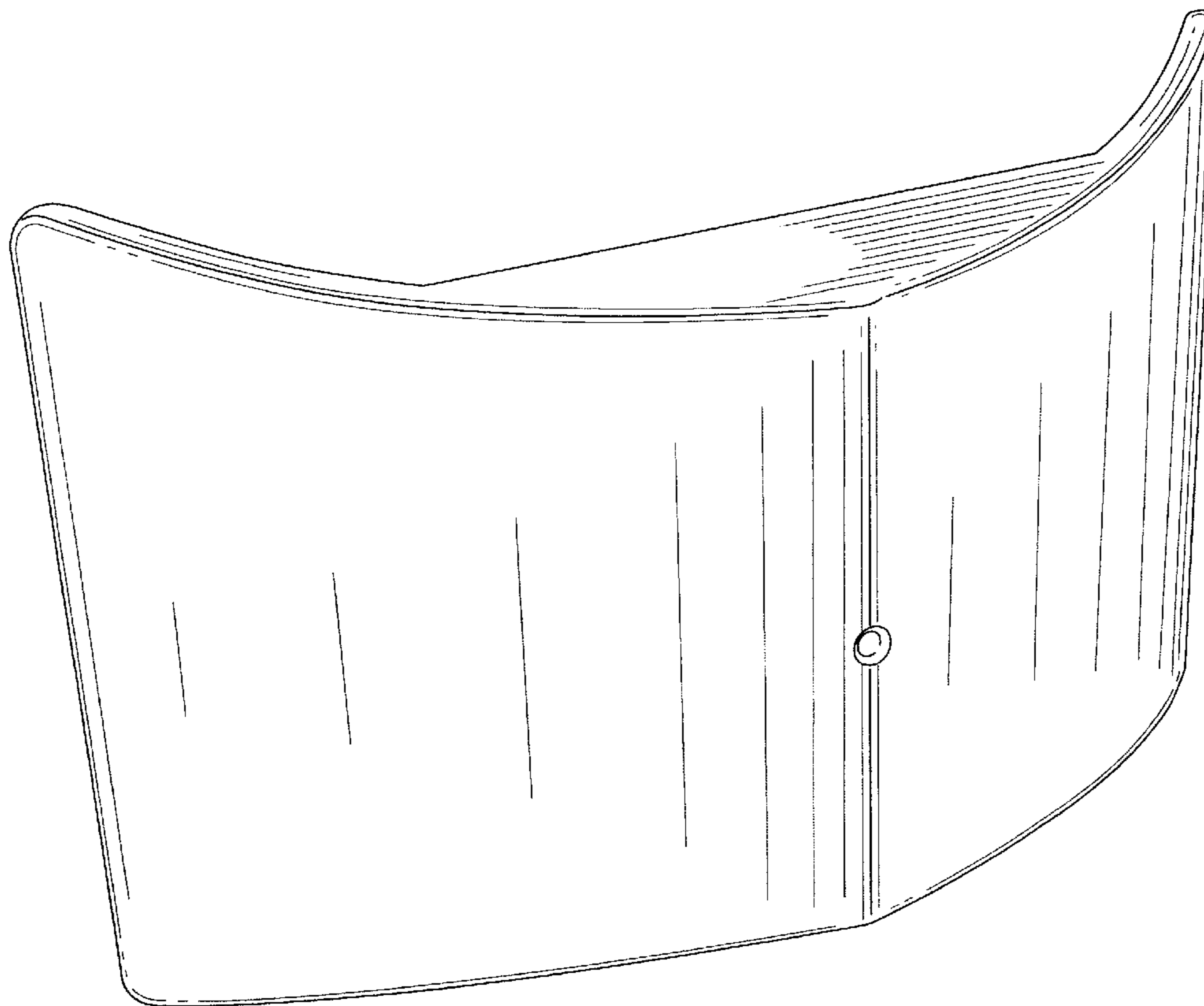
FIG. 6 is a perspective view looking generally at the front and bottom of my new design;

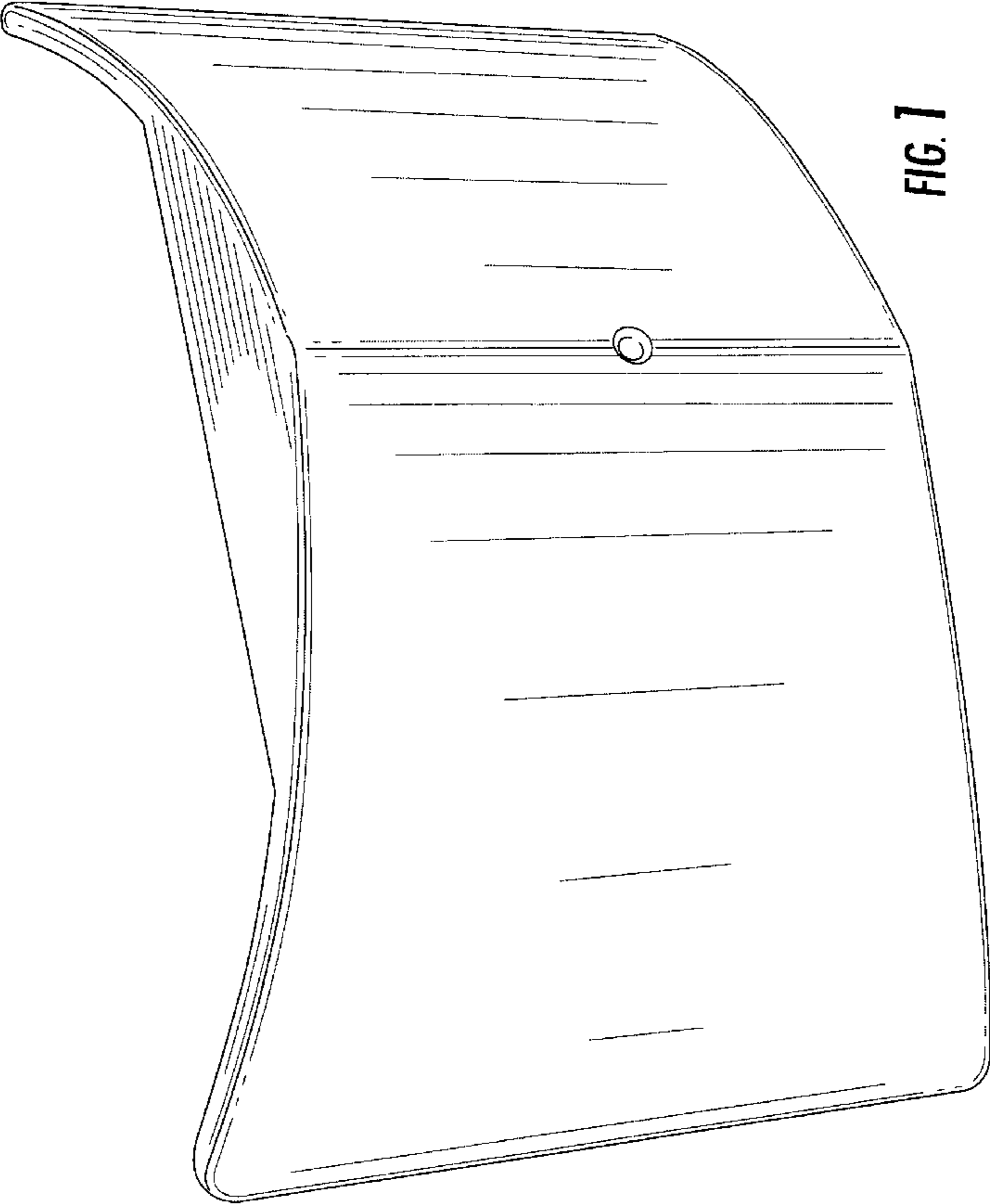
FIG. 7 is a perspective view looking generally at the left and front of my new design; and,

FIG. 8 is a perspective view looking generally at the top and front of my new design.

The right side elevational view is a mirror image of the left side. The broken lines shown in the Figures illustrate only the environment of the design and form no part of the claimed design.

1 Claim, 8 Drawing Sheets





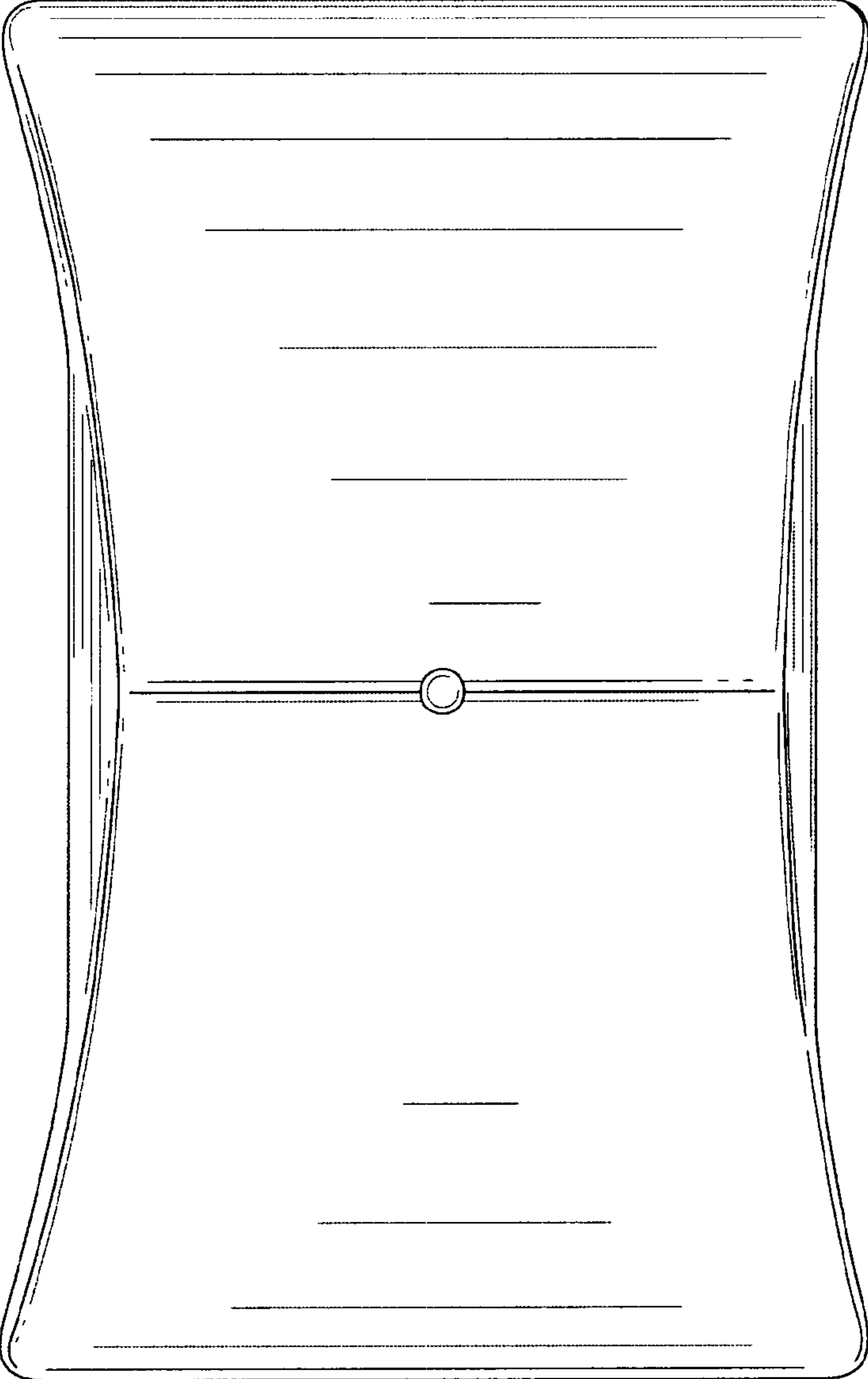


FIG. 2

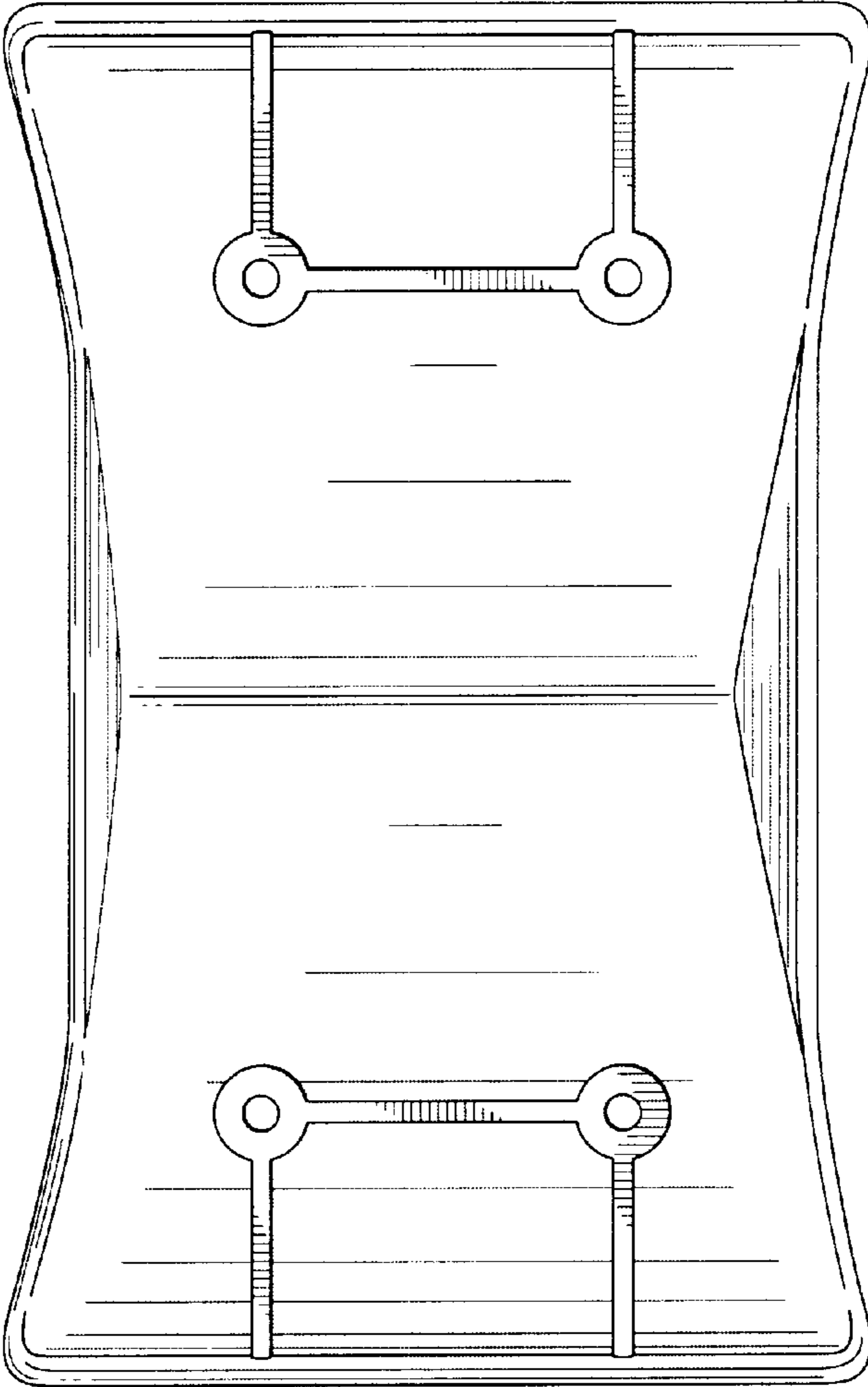


FIG. 3

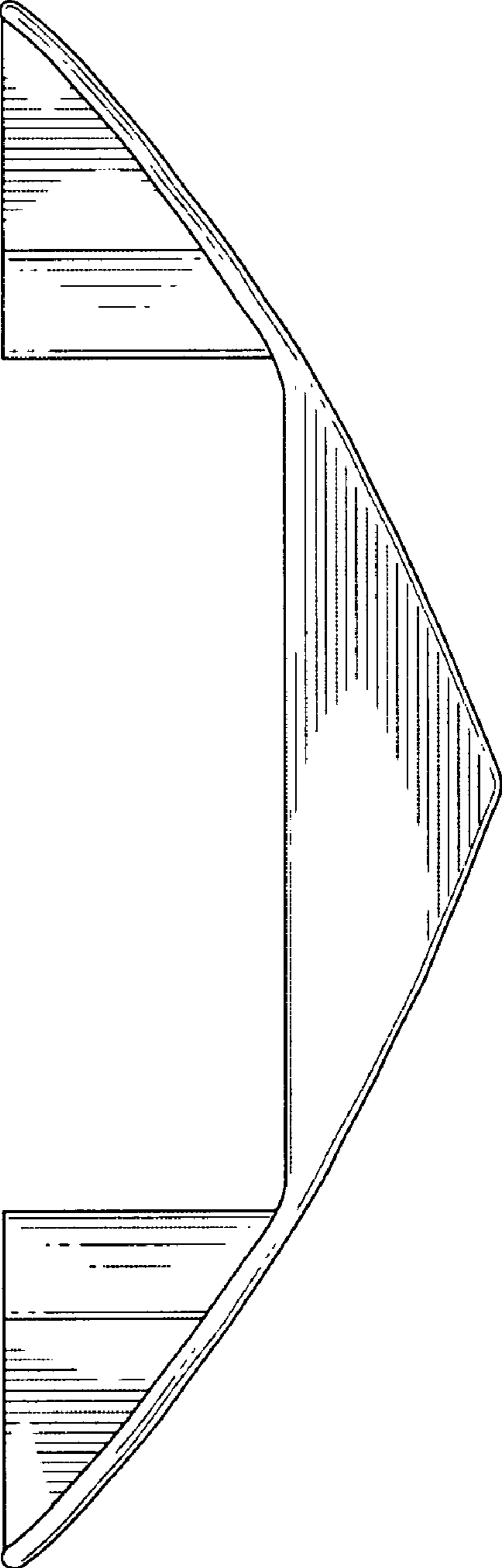


FIG. 4

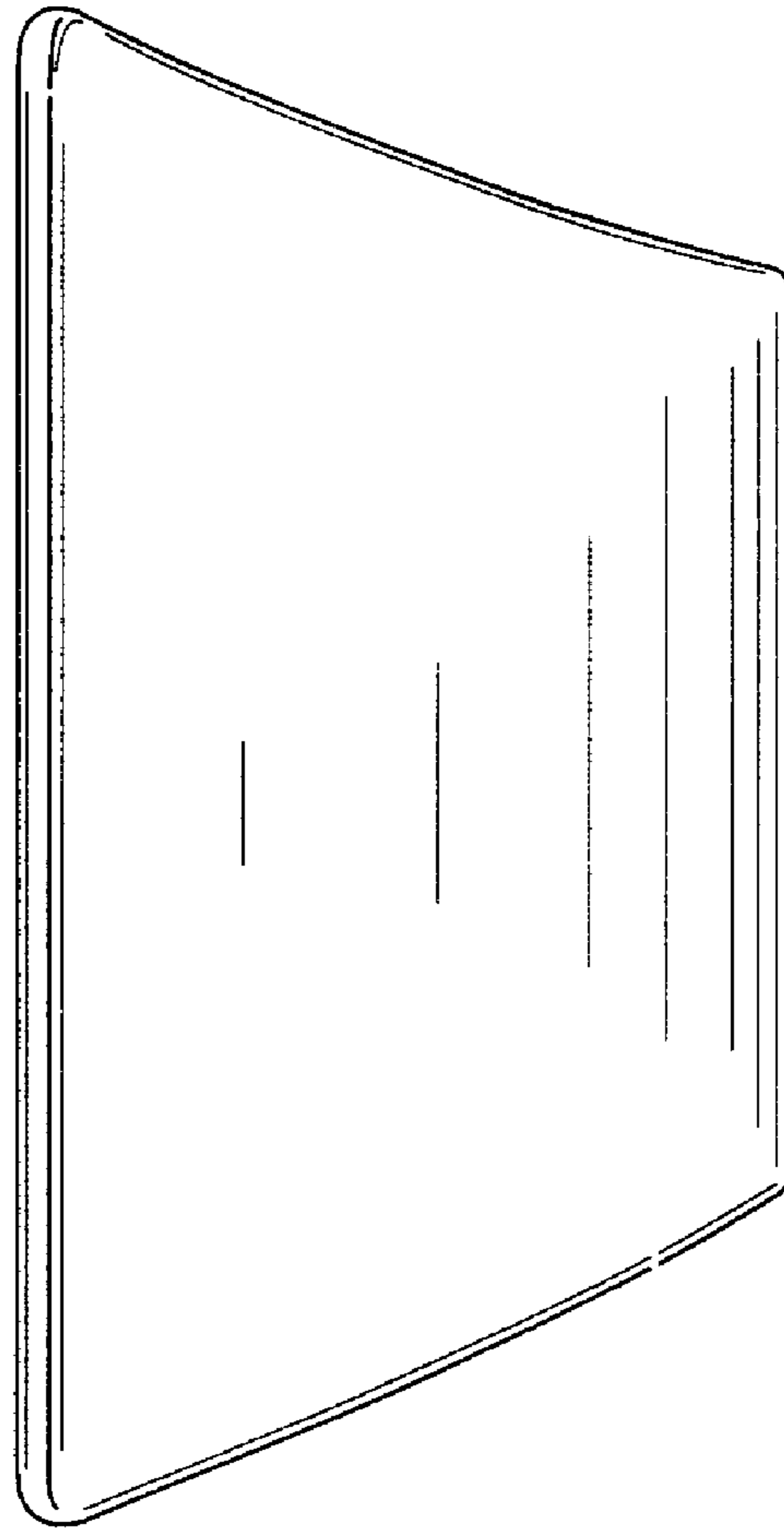


FIG. 5

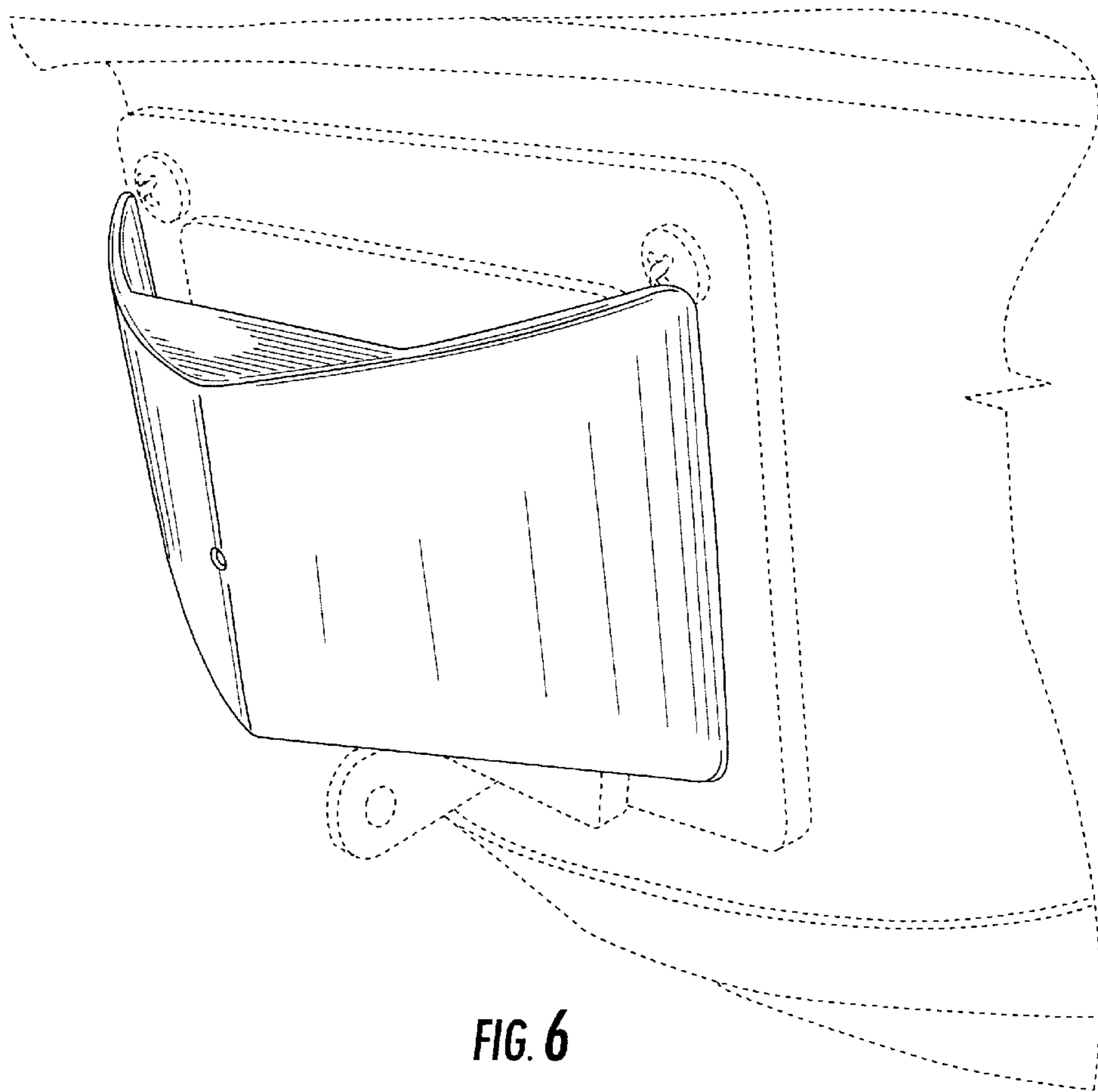


FIG. 6

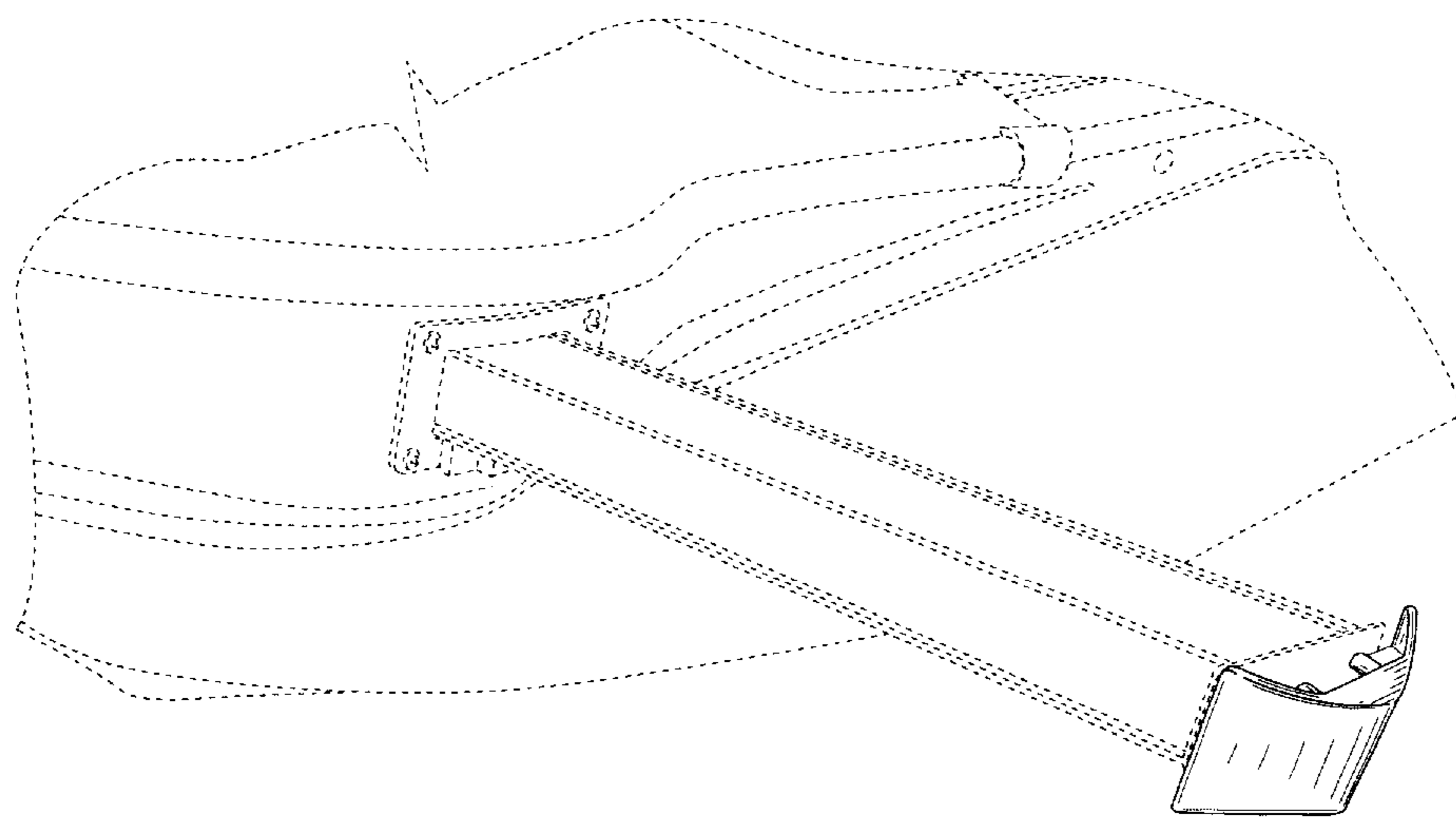


FIG. 7

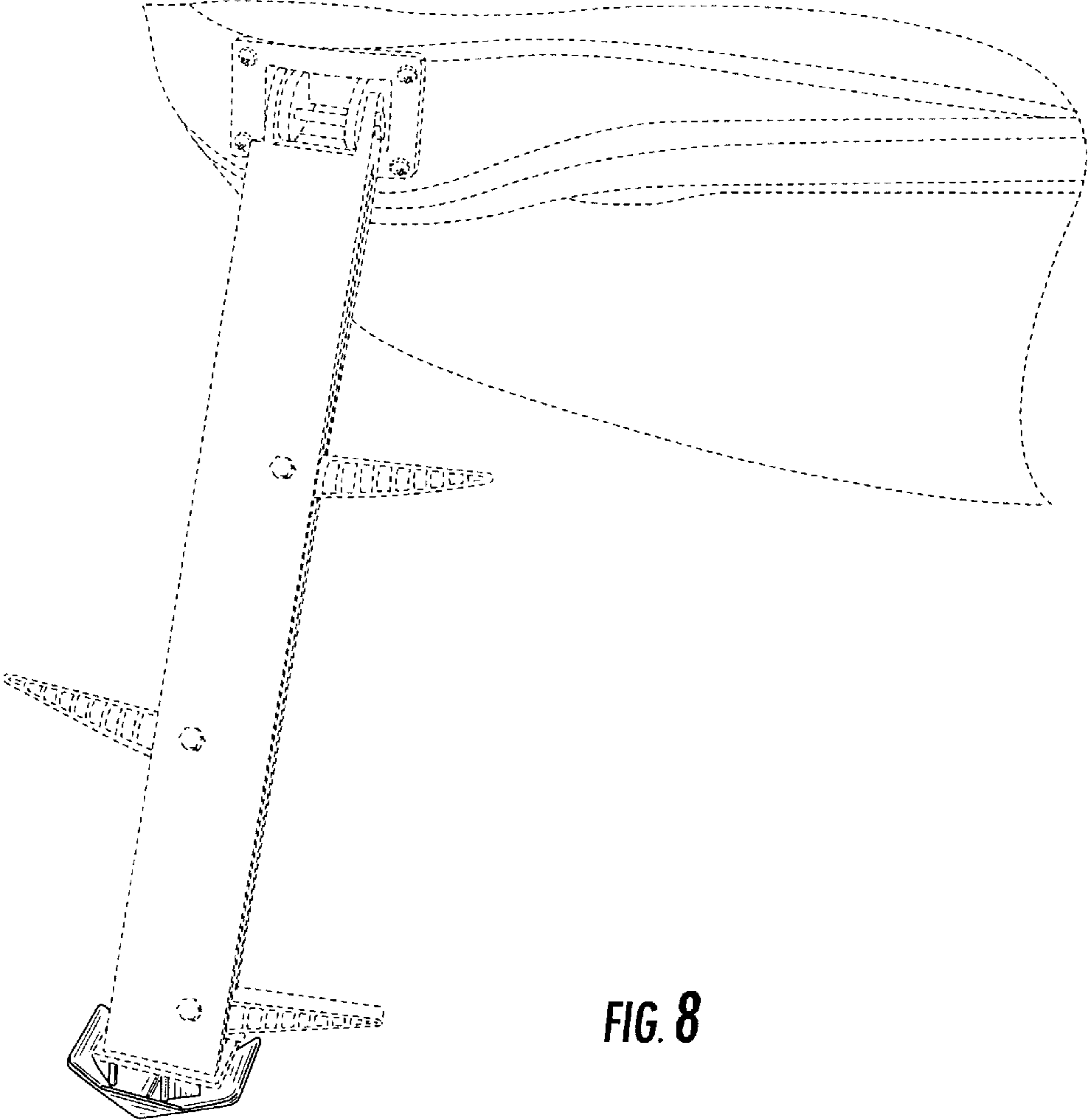


FIG. 8