

US00D506261S

(12) **United States Design Patent**
Hellström

(10) **Patent No.: US D506,261 S**
(45) **Date of Patent: ** Jun. 14, 2005**

(54) **CHROMATOGRAPHY COLUMN LOCKING RING**

D389,761 S * 1/1998 Thomas D10/103
6,387,256 B1 * 5/2002 Tuvim 210/198.2
6,652,745 B2 * 11/2003 Gjerde et al. 210/198.2

(75) Inventor: **Karl-Gunnar Hellström**, Uppsala (SE)

* cited by examiner

(73) Assignee: **Amersham Biosciences AB**, Uppsala (SE)

Primary Examiner—Ian Simmons
(74) *Attorney, Agent, or Firm*—Royal N. Ronning, Jr.; Stephen G. Ryan; Yonggang Ji

(**) Term: **14 Years**

(57) **CLAIM**

(21) Appl. No.: **29/181,401**

The ornamental design for a chromatography column locking ring, as shown and described.

(22) Filed: **May 9, 2003**

(51) **LOC (8) Cl.** **24-01**

DESCRIPTION

(52) **U.S. Cl.** **D24/224; D10/103**

The design is a locking ring that can fit into an opening of an end of a chromatography column assembly. FIG. 1 is a perspective view of a chromatography column locking ring showing my new design; FIG. 2 is a front elevational view thereof; FIG. 3 is a side elevational view thereof; FIG. 4 is a top plan view thereof; and, FIG. 5 is a bottom plan view thereof.

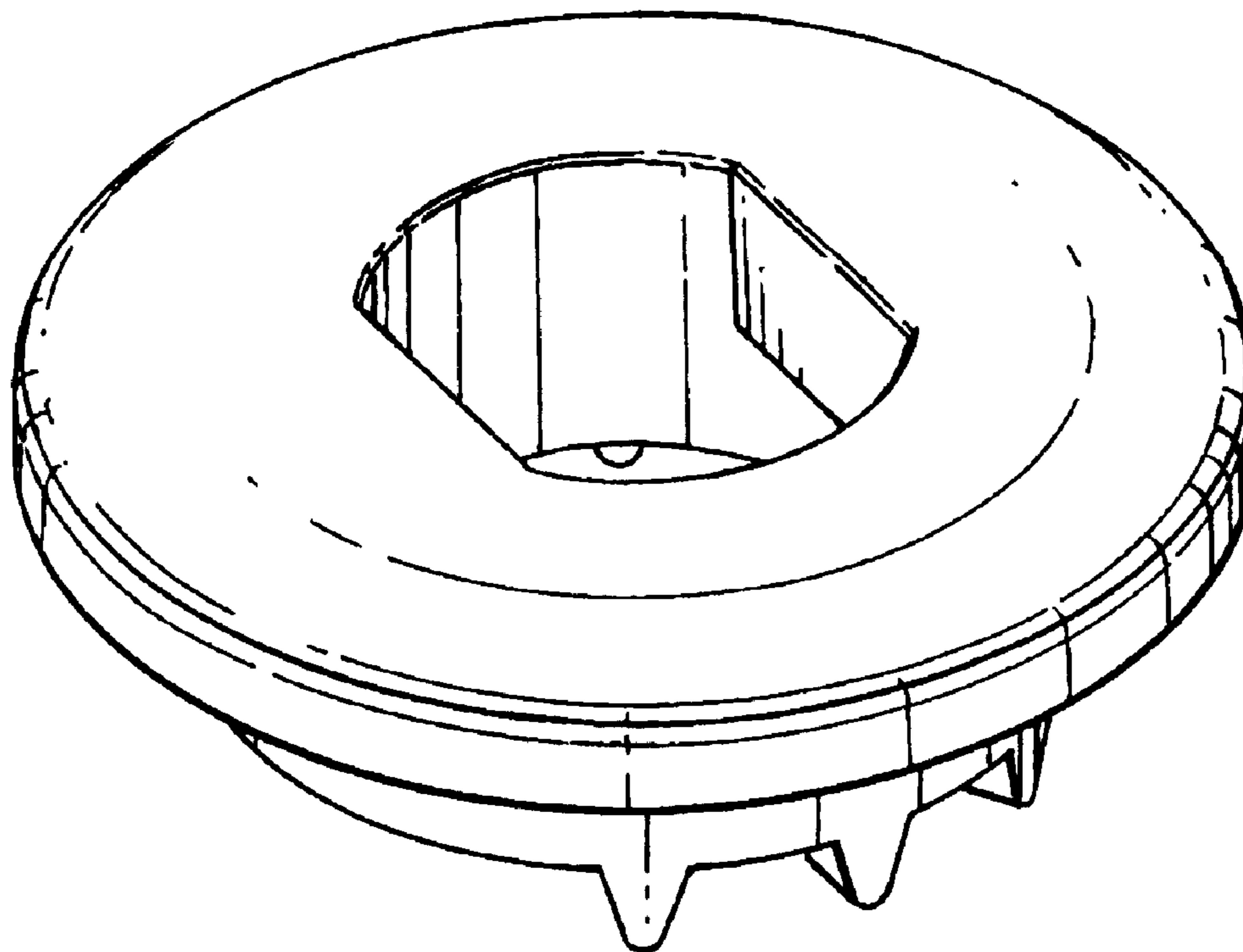
(58) **Field of Search** D24/224, 216; D10/81, 103; D9/435, 445, 452, 454; 210/198.2, 656; 422/102, 99, 58

(56) **References Cited**

U.S. PATENT DOCUMENTS

4,565,632 A * 1/1986 Hatch et al. 210/656
4,737,284 A * 4/1988 Hauke et al. 210/198.2
D357,200 S * 4/1995 Thomas D10/103

1 Claim, 2 Drawing Sheets



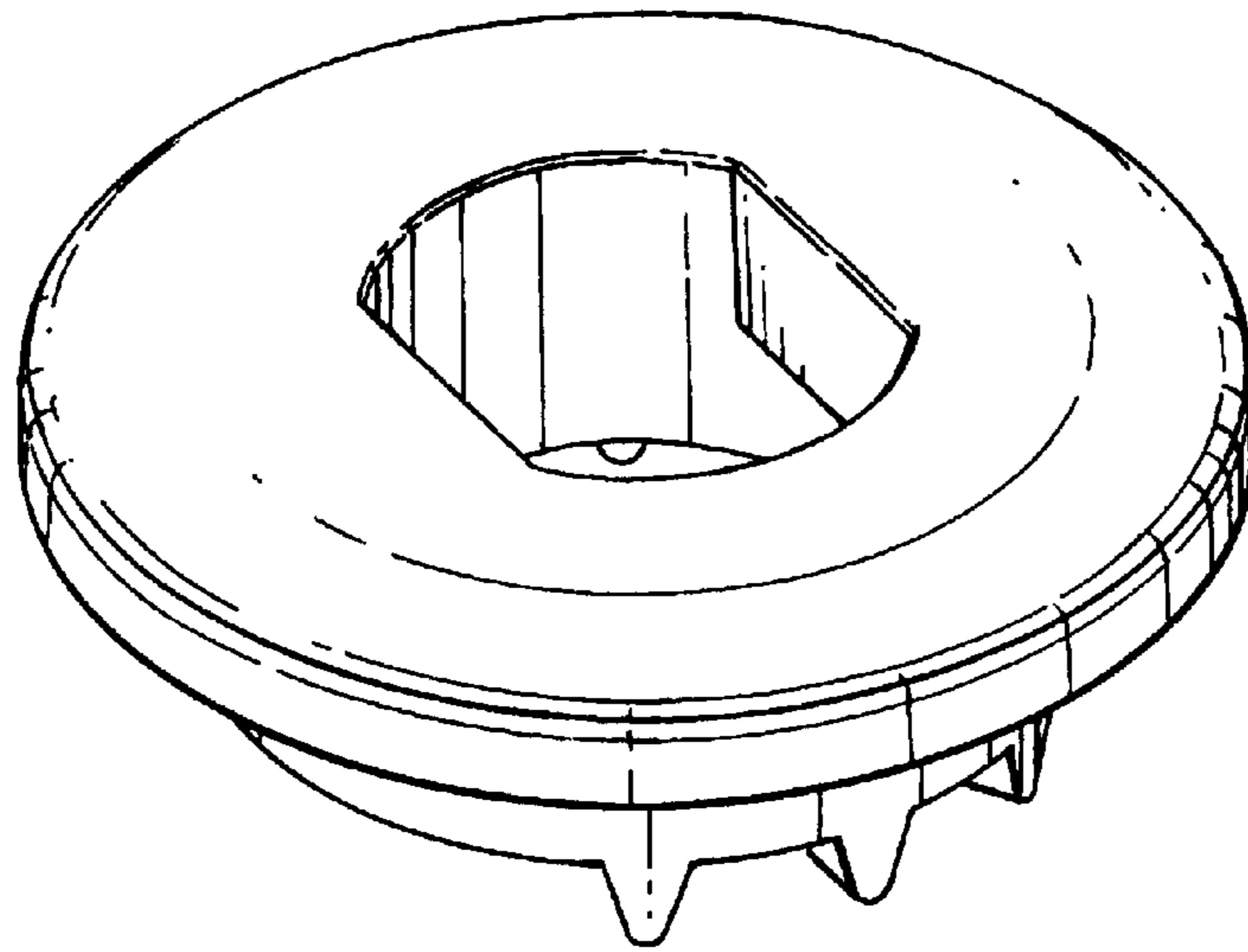


Fig.1.

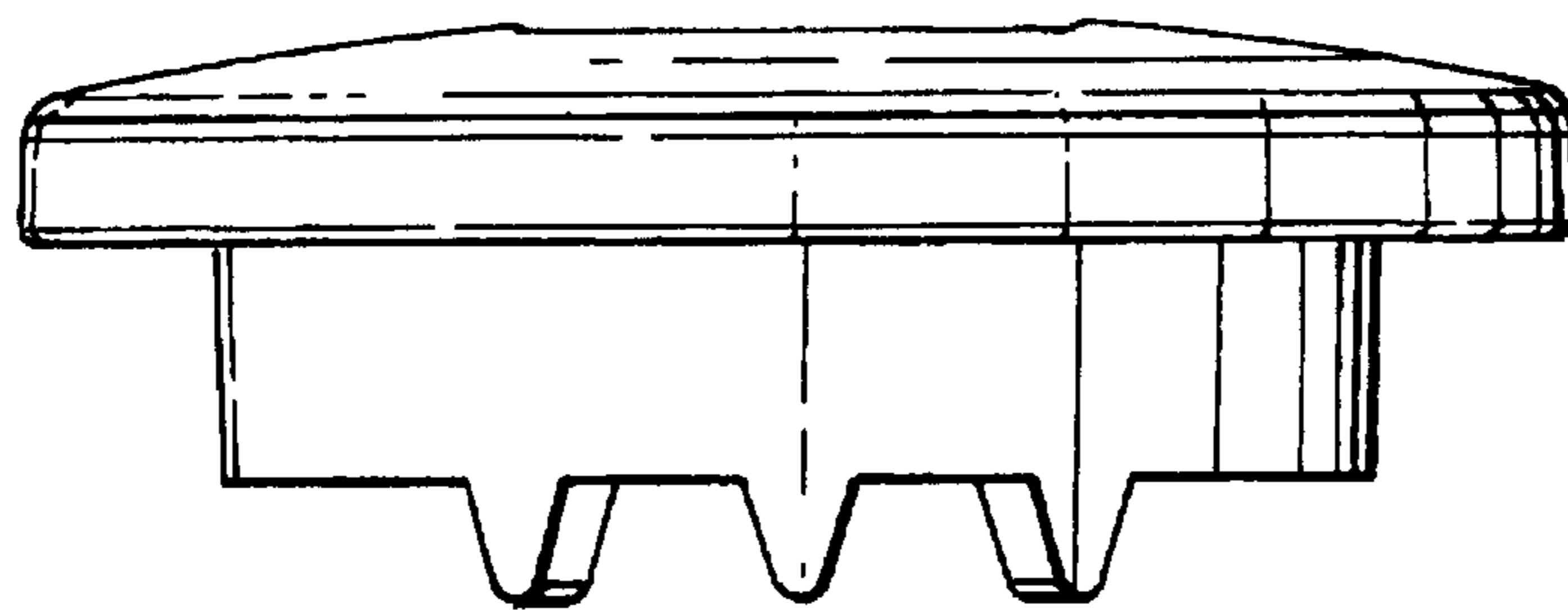


Fig.2.

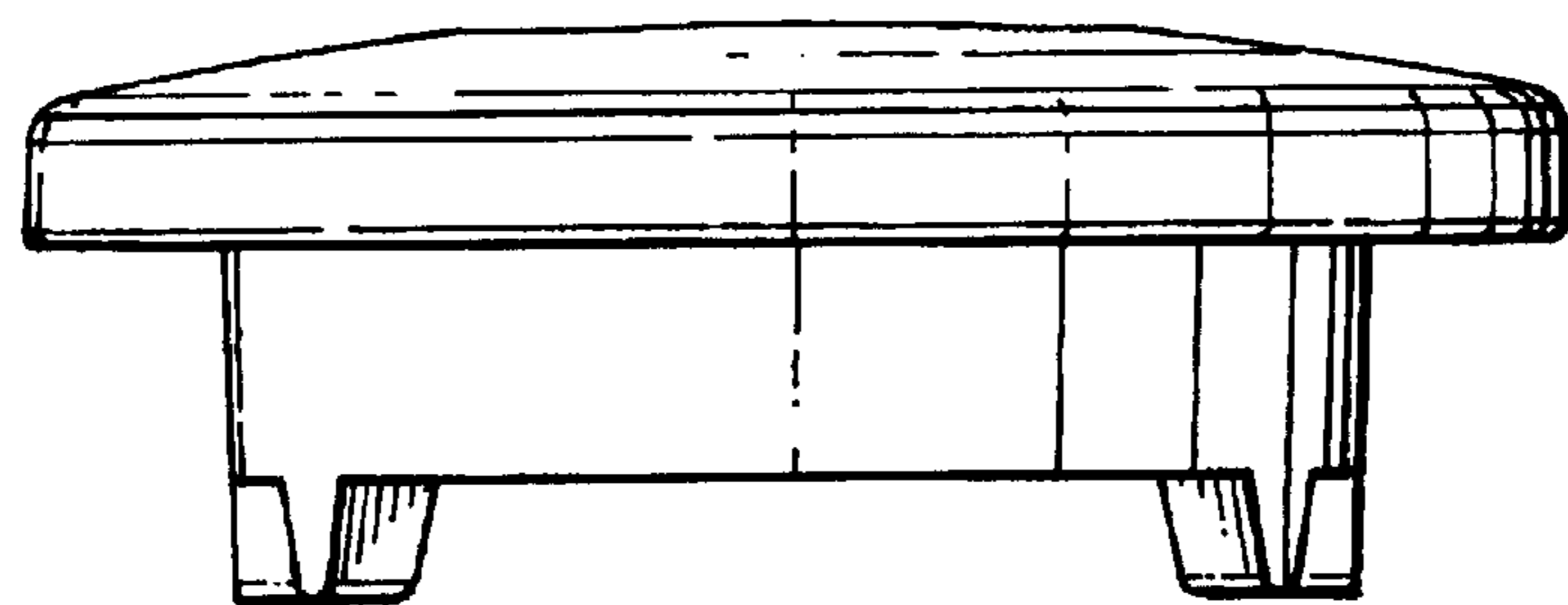


Fig.3.

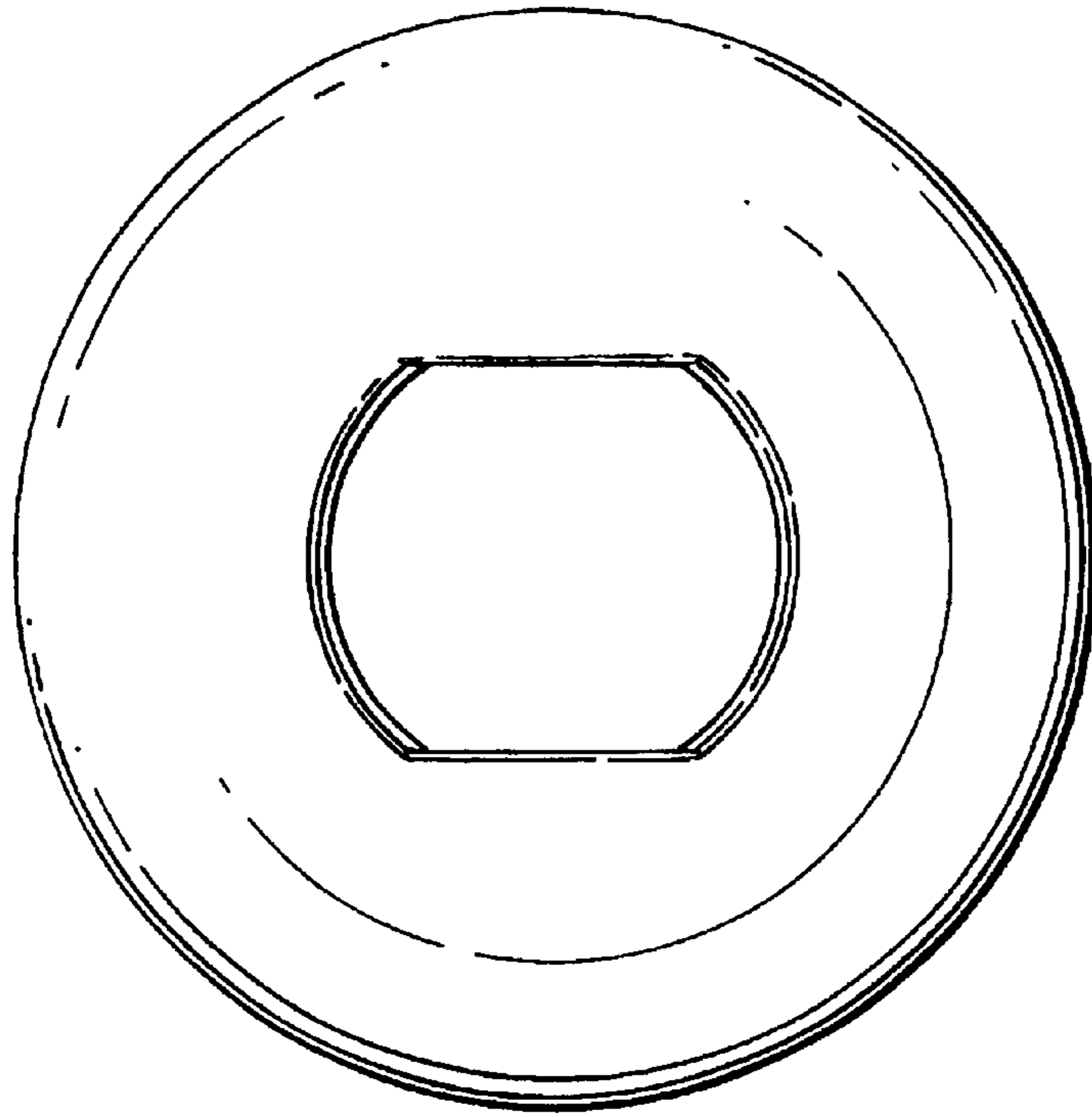


Fig.4.

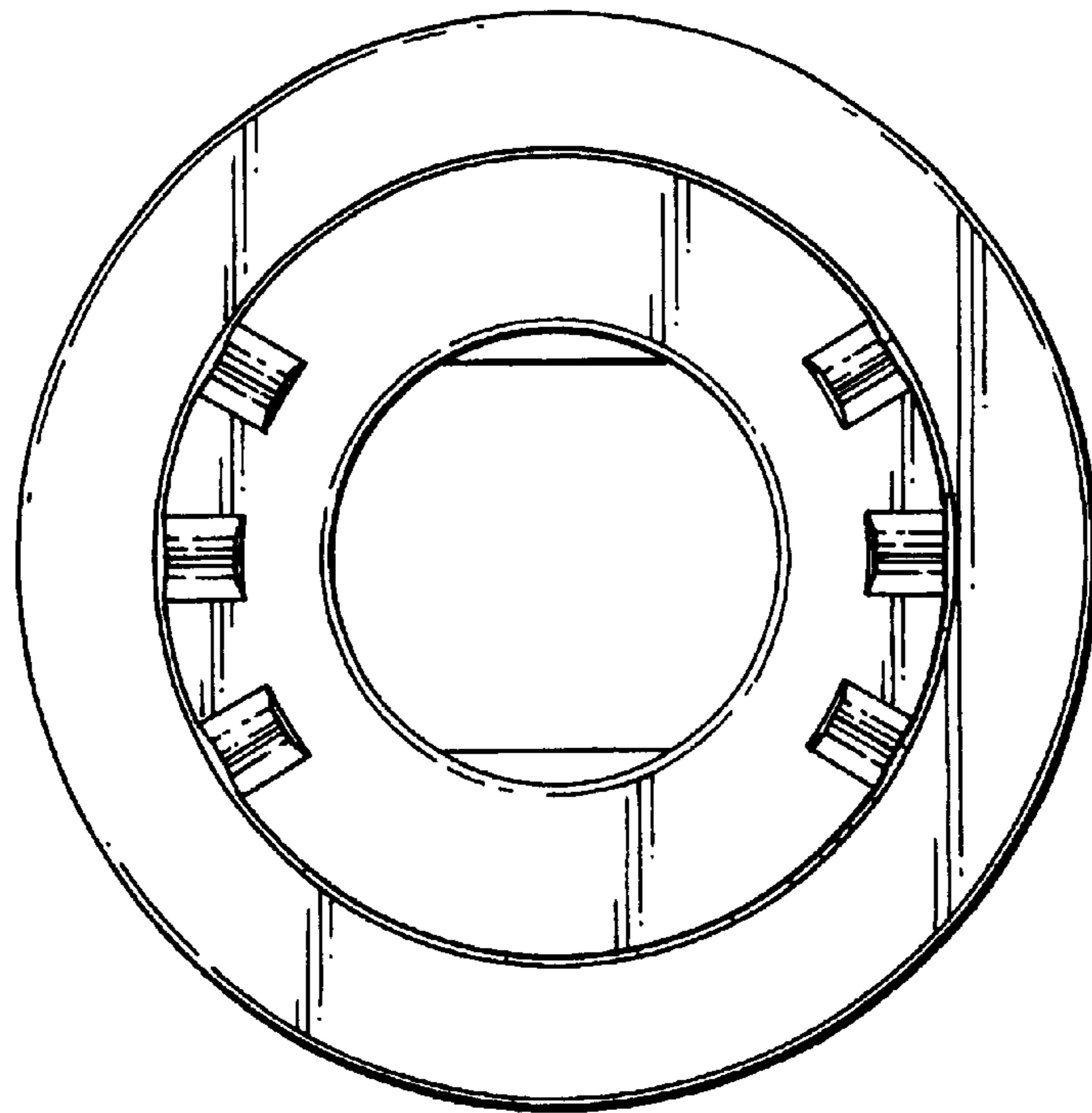


Fig.5.