

US00D506260S

(12) **United States Design Patent**
Ryan

(10) **Patent No.:** **US D506,260 S**
(45) **Date of Patent:** **** Jun. 14, 2005**

(54) **REMOTE CONTROLLER FOR
ELECTROTHERAPY AND/OR ULTRASOUND
THERAPY PRODUCT CONSOLE**

D493,531 S * 7/2004 Padain D24/144
D499,086 S * 11/2004 Polito D14/218
2003/0060735 A1 * 3/2003 Coffey et al. 601/2
2004/0171970 A1 * 9/2004 Schleuniger et al. 601/2

(75) Inventor: **Bradley Peter Ryan, Sydney (AU)**

* cited by examiner

(73) Assignee: **Encore Medical Asset Corporation,
Henderson, NV (US)**

Primary Examiner—Louis S. Zarfaz

Assistant Examiner—Melanie Levy

(**) Term: **14 Years**

(74) *Attorney, Agent, or Firm*—Chambliss, Bahner &
Stophel, P.C.

(21) Appl. No.: **29/192,467**

(57) **CLAIM**

(22) Filed: **Oct. 27, 2003**

The ornamental design for a remote controller for electro-
therapy and/or ultrasound therapy product console, as
shown.

(51) **LOC (8) Cl.** **24-01**

(52) **U.S. Cl.** **D24/186; D14/218; D24/185;
D24/133**

DESCRIPTION

(58) **Field of Search** D24/133, 144,
D24/170, 185, 186, 200; 601/1, 2; 607/72;
119/719; 128/915, 916; D14/218

FIG. 1 is a perspective view of the remote controller for
electrotherapy and/or ultrasound therapy product console
showing my new design.

FIG. 2 is a front view thereof;

FIG. 3 is a right side view, the left side view being a mirror
image thereof;

FIG. 4 is a rear view thereof;

FIG. 5 is a top view thereof; and,

FIG. 6 is a bottom view thereof.

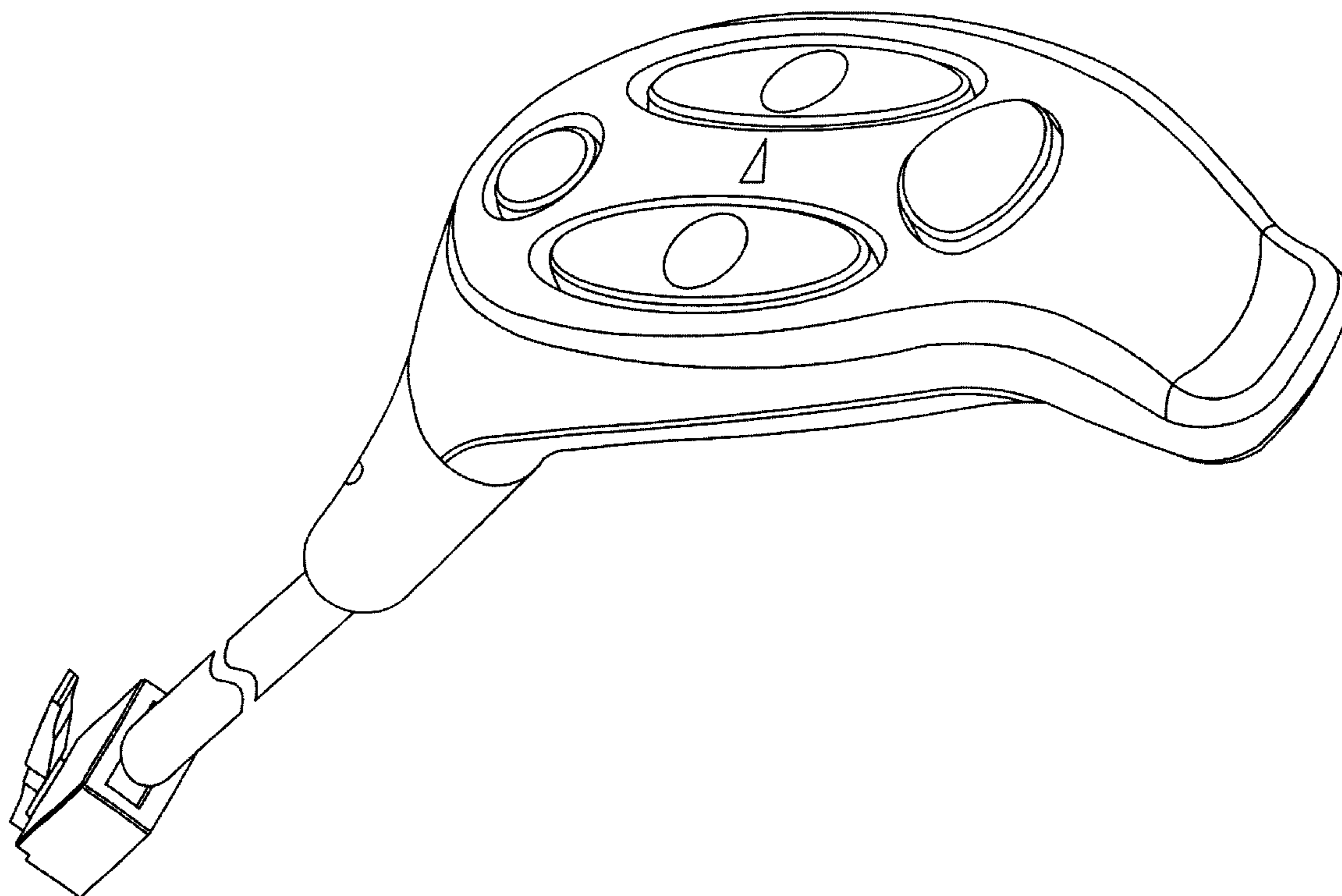
The article is shown broken away to indicate indeterminate
length.

(56) **References Cited**

U.S. PATENT DOCUMENTS

D382,646 S * 8/1997 Shalvi D24/200
5,690,113 A * 11/1997 Sliwa et al. 128/916
D390,959 S * 2/1998 Mesaros et al. D24/186
D443,217 S * 6/2001 Haberstich et al. D10/104
6,249,706 B1 * 6/2001 Sobota et al. 607/2
D451,493 S * 12/2001 Ng D14/192
D462,069 S * 8/2002 Gatto D14/218

1 Claim, 6 Drawing Sheets



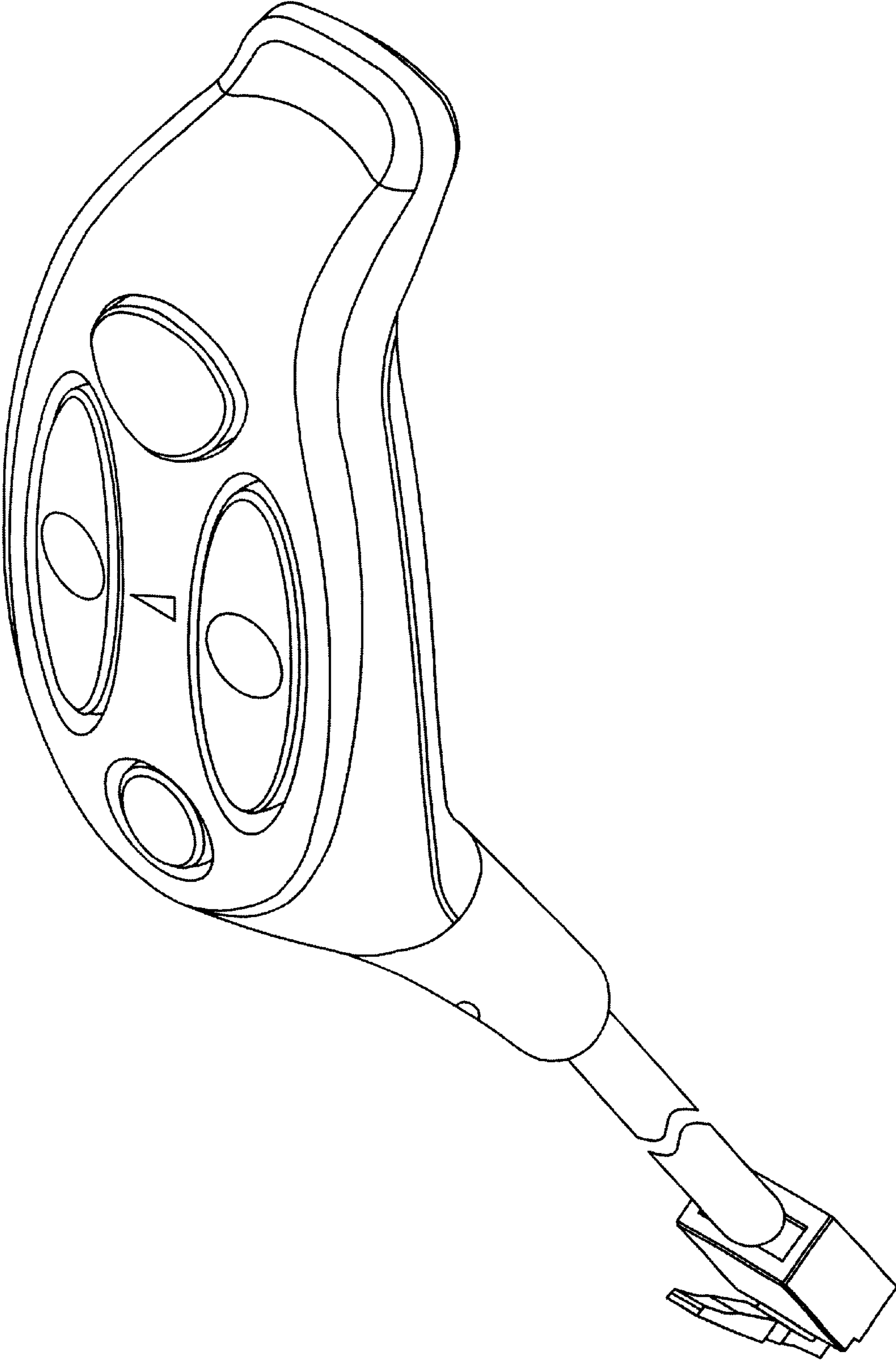


FIGURE 1

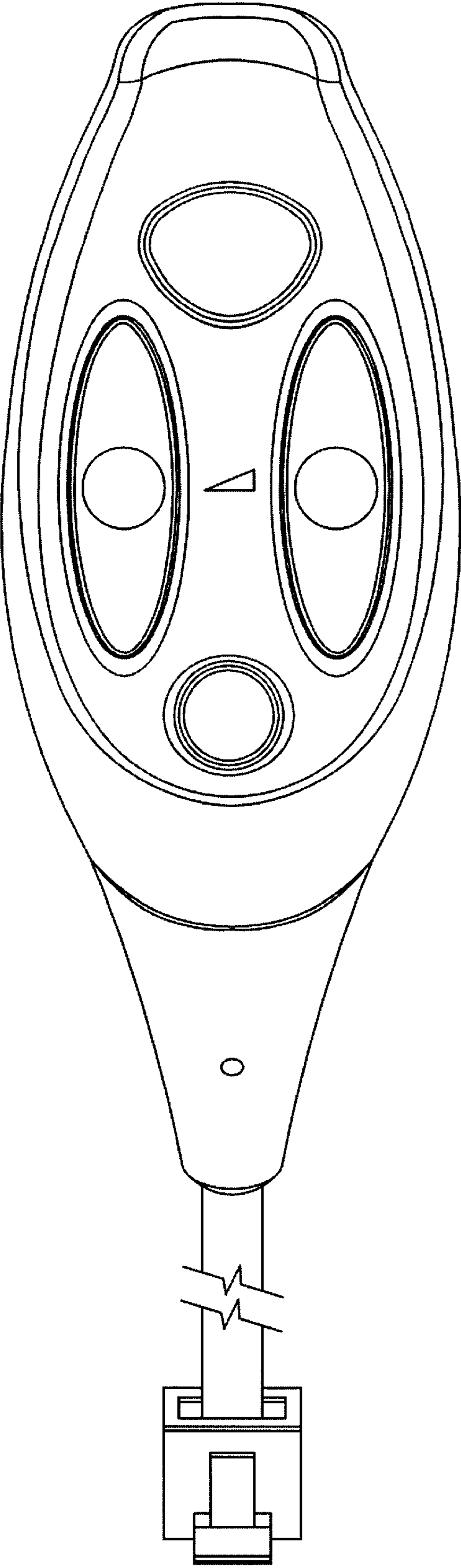


FIGURE 2

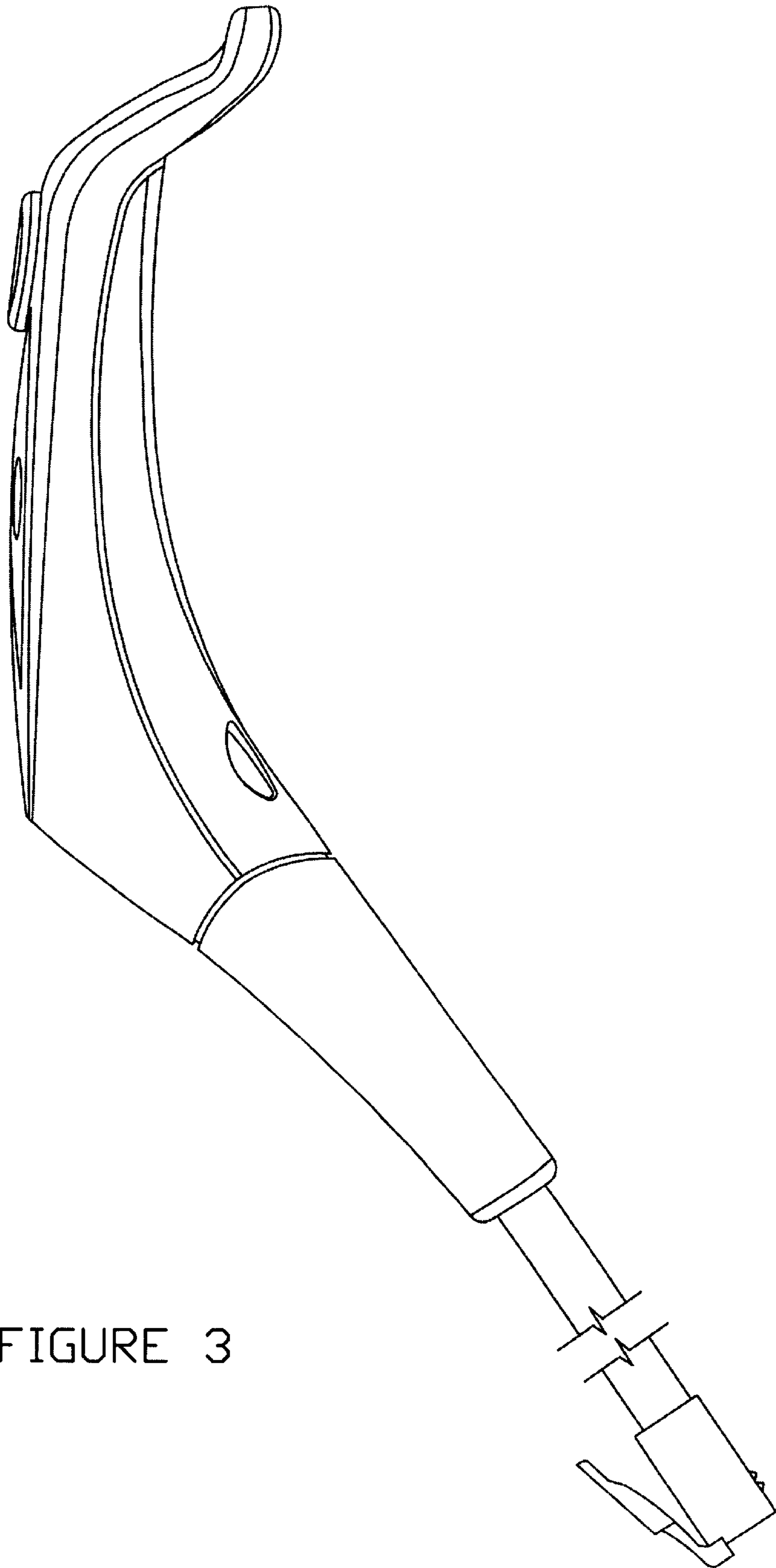


FIGURE 3

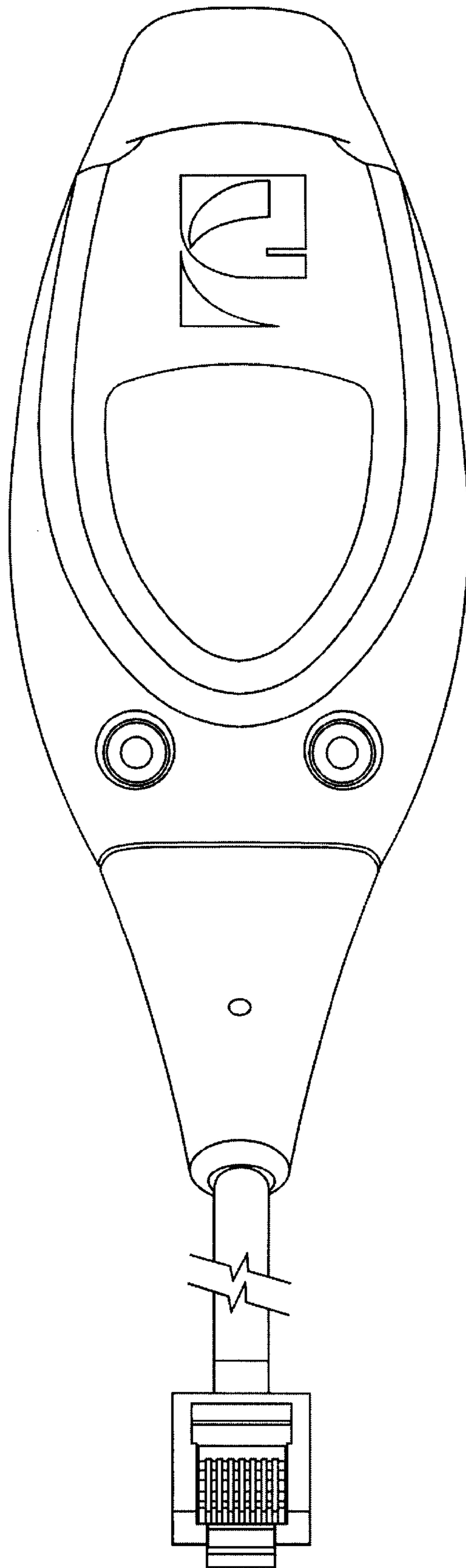


FIGURE 4

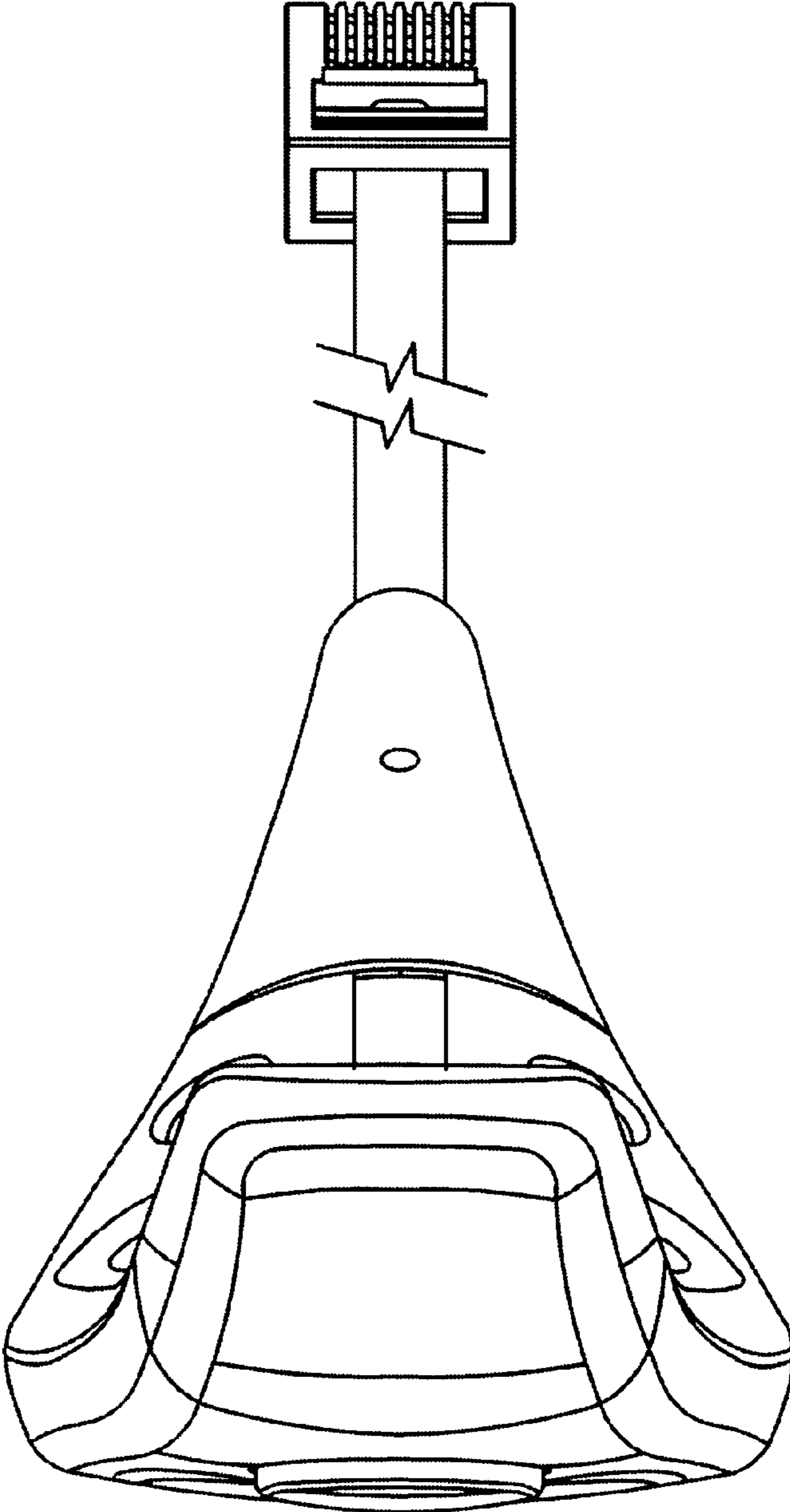


FIGURE 5

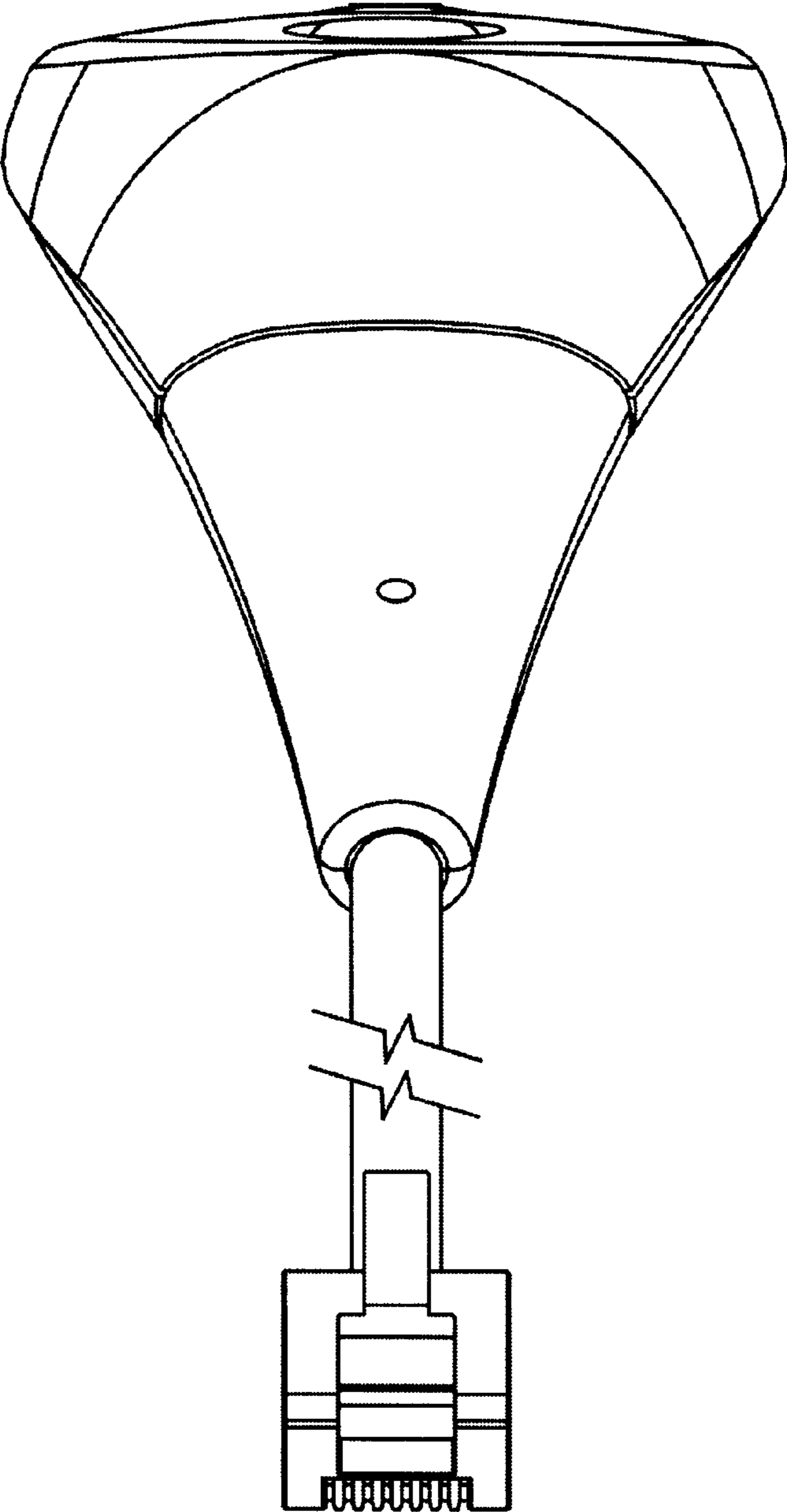


FIGURE 6