

US00D506257S

(12) **United States Design Patent**
Smith

(10) **Patent No.:** **US D506,257 S**

(45) **Date of Patent:** **** Jun. 14, 2005**

(54) **OPHTHALMOLOGICAL INSTRUMENT ARM**

(75) **Inventor:** **Neil Smith, Hanover, PA (US)**

(73) **Assignee:** **Reliance Medical Products, Inc.,
Mason, OH (US)**

(**) **Term:** **14 Years**

(21) **Appl. No.:** **29/193,118**

(22) **Filed:** **Oct. 31, 2003**

(51) **LOC (8) Cl.** **24-01**

(52) **U.S. Cl.** **D24/172**

(58) **Field of Search** D24/172; 351/200,
351/236, 245; 312/209, 276; 606/4, 10,
19

(56) **References Cited**

U.S. PATENT DOCUMENTS

D198,232 S	*	5/1964	Maier	D24/172
3,572,913 A	*	3/1971	Korb et al.	351/245
D235,274 S	*	6/1975	Armbruster	D24/172
3,913,582 A	*	10/1975	Sharon	606/19
4,270,845 A	*	6/1981	Takizawa et al.	372/107
4,643,547 A	*	2/1987	Collins et al.	351/245
D292,526 S	*	10/1987	Nakayama	D24/172
5,480,212 A		1/1996	Marconet	297/188.01

D378,315 S	*	3/1997	Schwaegerle et al.	D24/172
5,717,480 A		2/1998	Brooks et al.	351/221
5,907,387 A		5/1999	Schwaegerle	351/200
D424,200 S		5/2000	Smith	D24/172
D425,991 S		5/2000	Smith et al.	D24/172
6,095,649 A		8/2000	Brooks et al.	351/221
2003/0028181 A1	*	2/2003	Enomoto	606/19

* cited by examiner

Primary Examiner—Stella Reid

(74) *Attorney, Agent, or Firm*—Wood, Herron & Evans,
L.L.P.

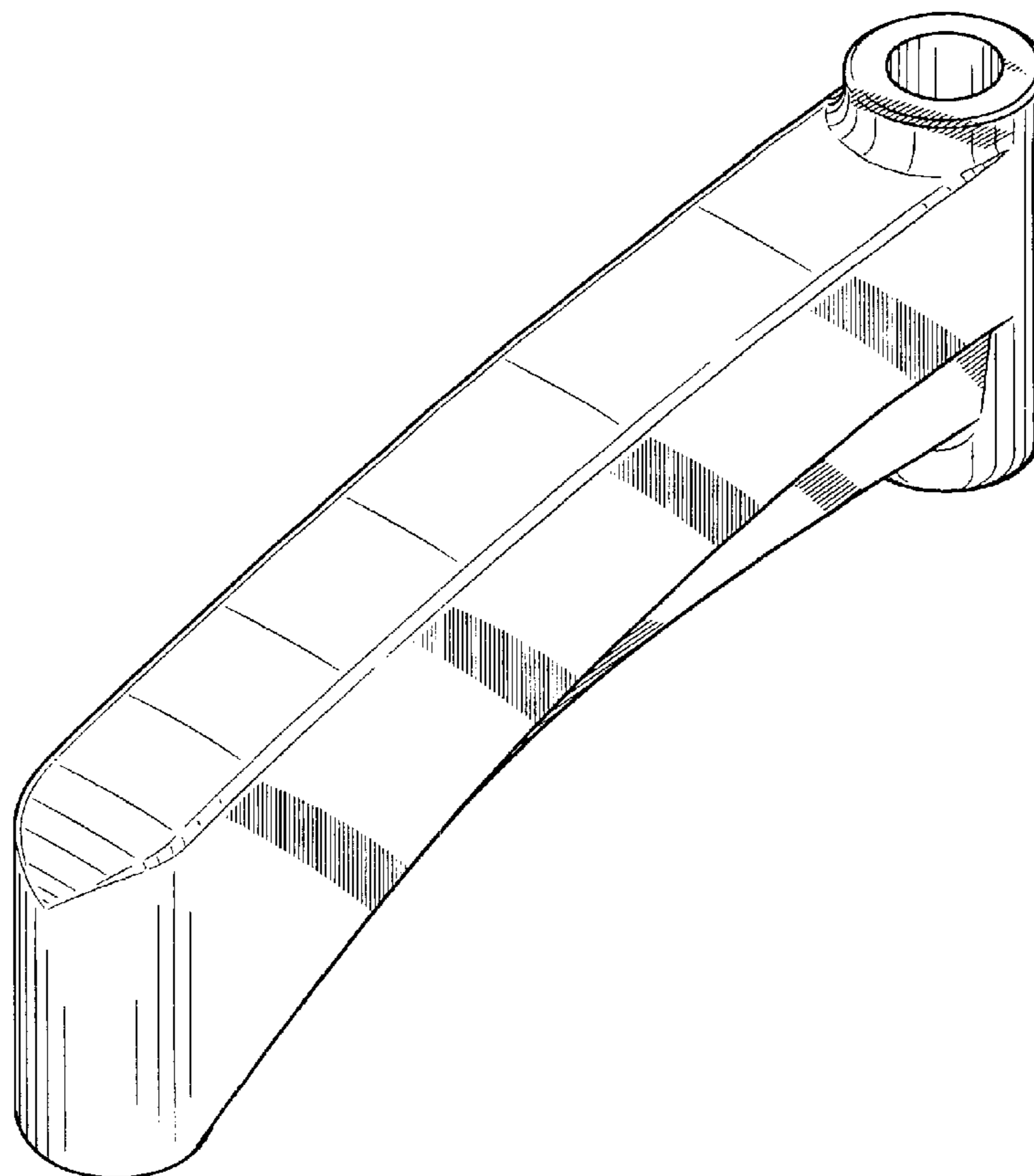
(57) **CLAIM**

The ornamental design for an ophthalmological instrument arm, as shown and described.

DESCRIPTION

FIG. 1 is a perspective view of an ophthalmological instrument arm, showing my new design;
FIG. 2 is a front view thereof;
FIG. 3 is a right side view thereof;
FIG. 4 is a rear view thereof;
FIG. 5 is a left view thereof;
FIG. 6 is a top view thereof; and,
FIG. 7 is a bottom view thereof.

1 Claim, 2 Drawing Sheets



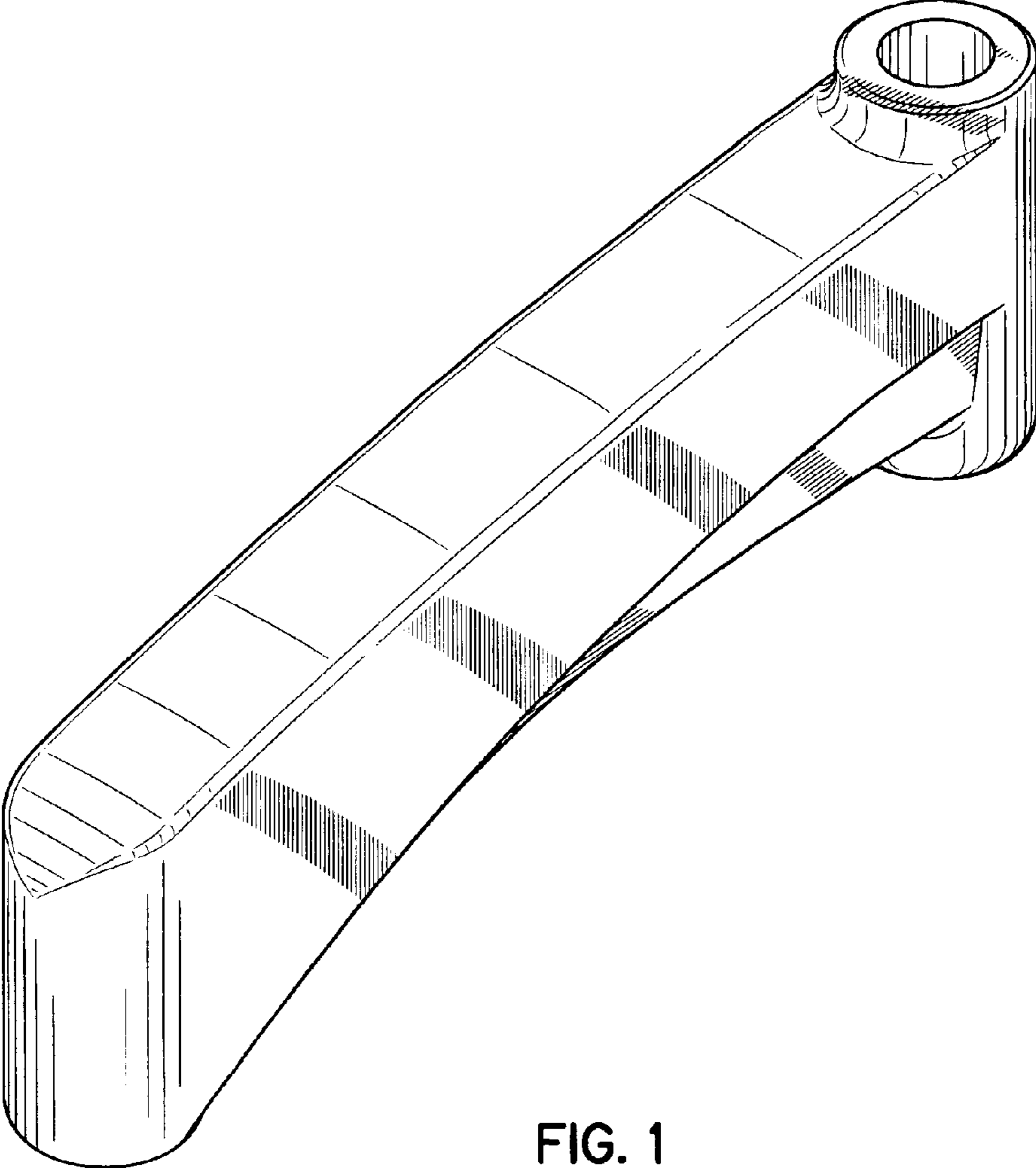


FIG. 1

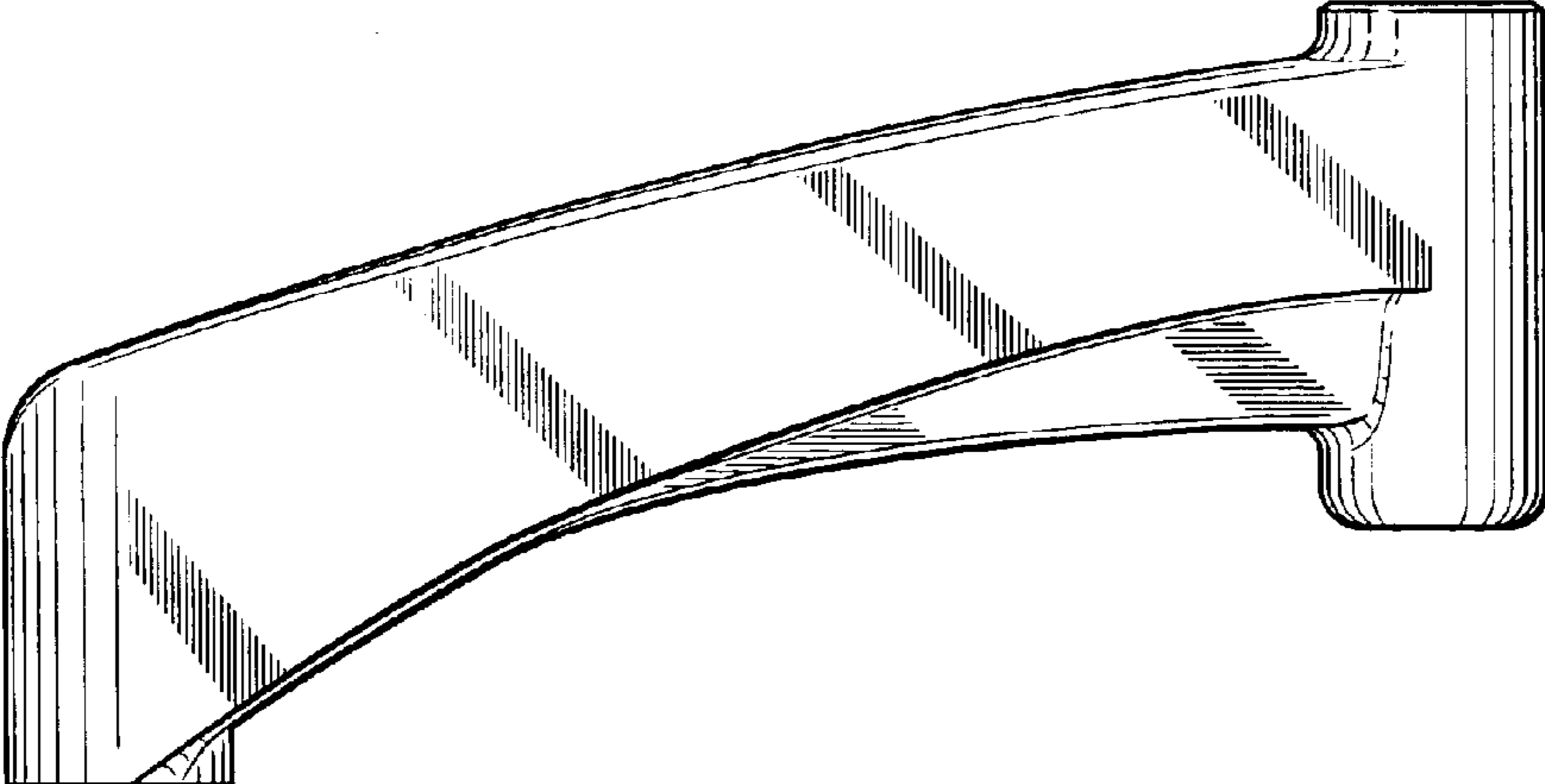


FIG. 2

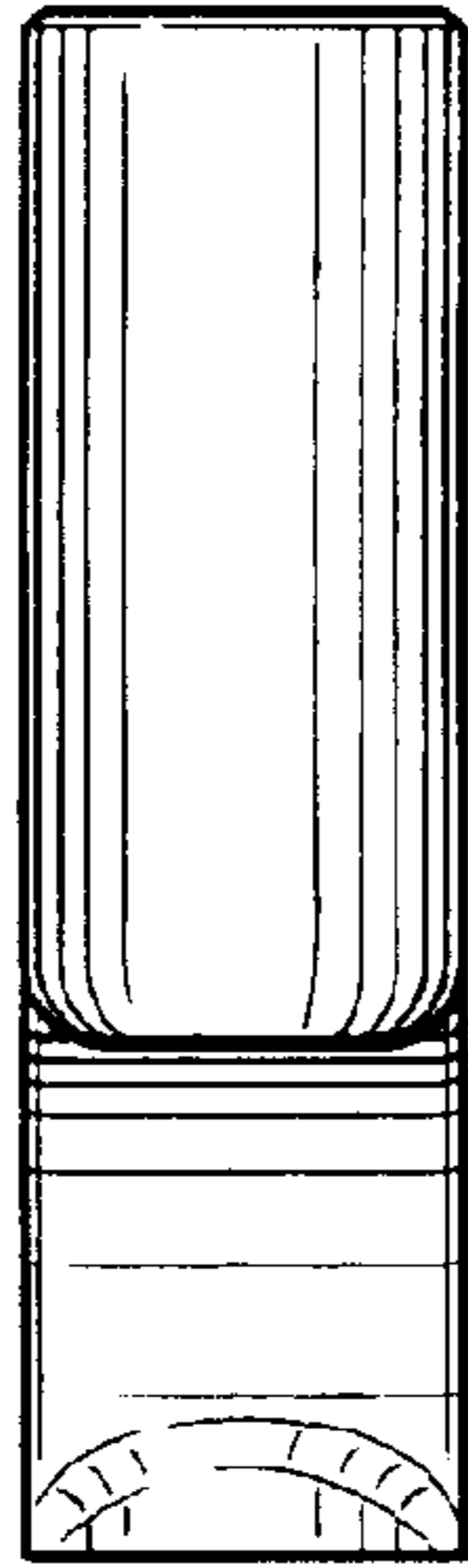


FIG. 3

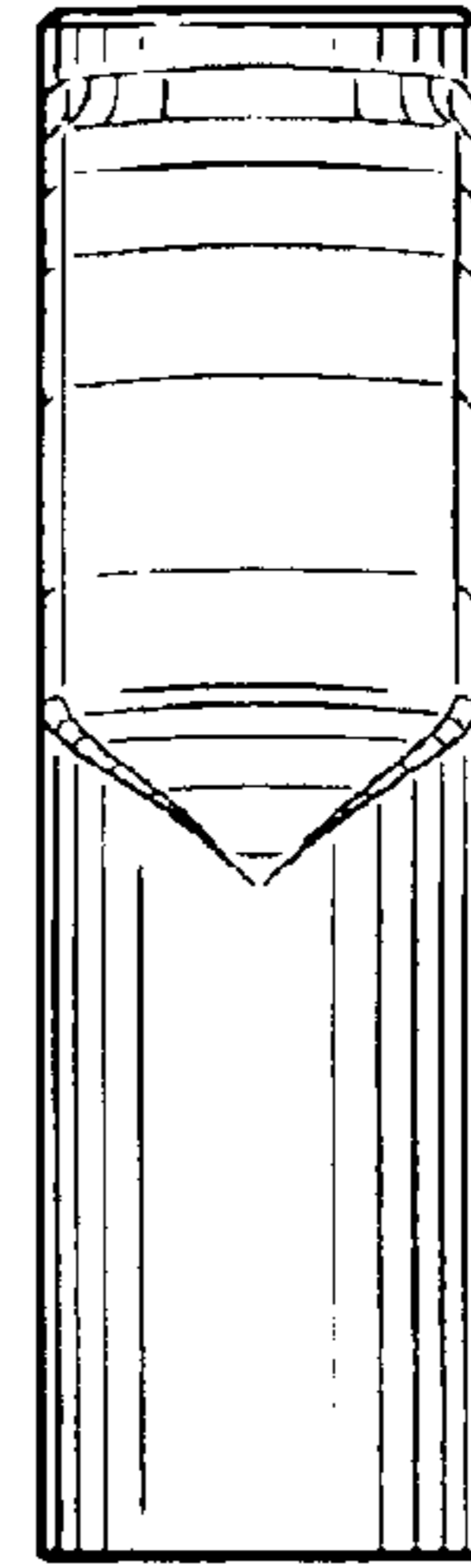


FIG. 5

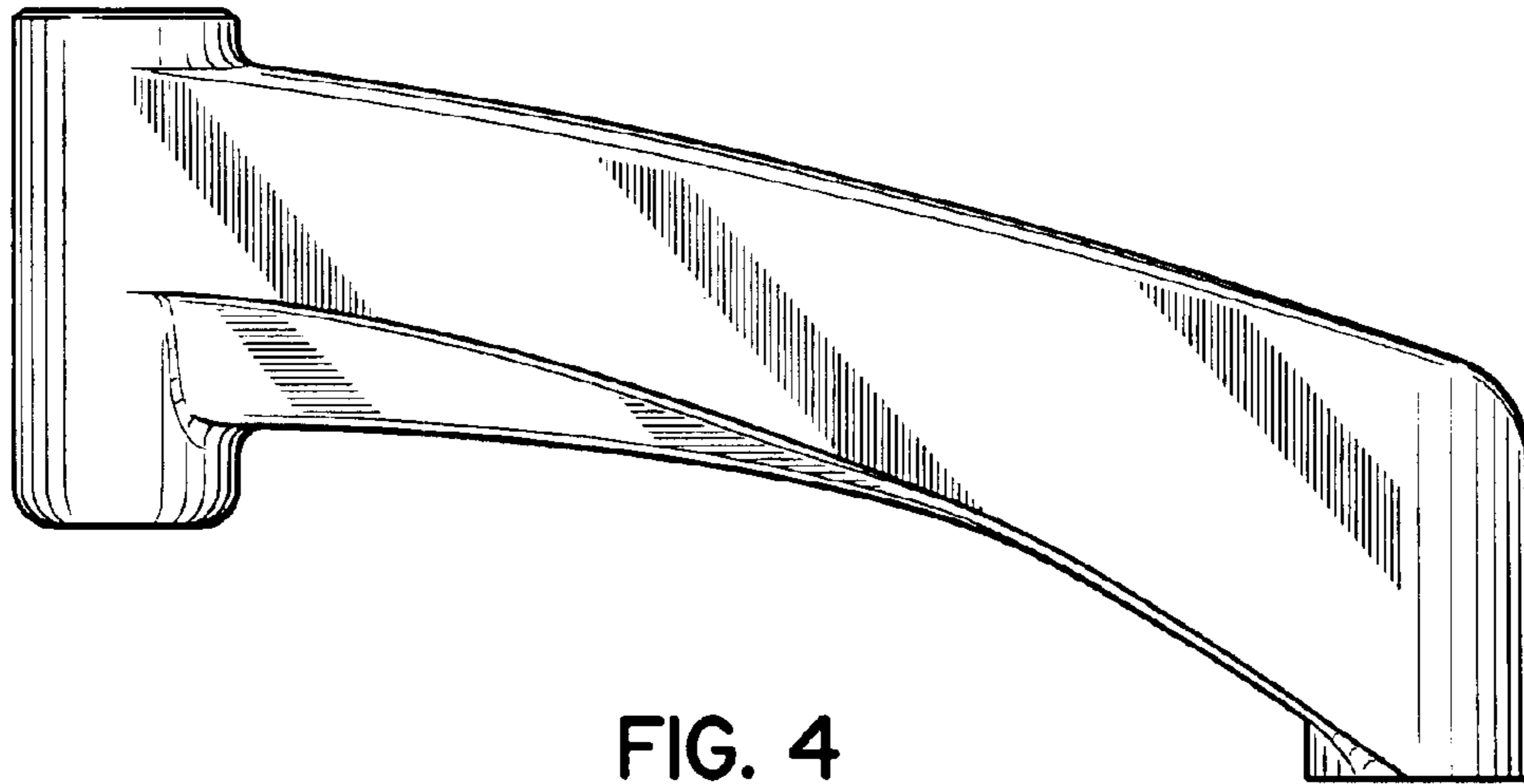


FIG. 4

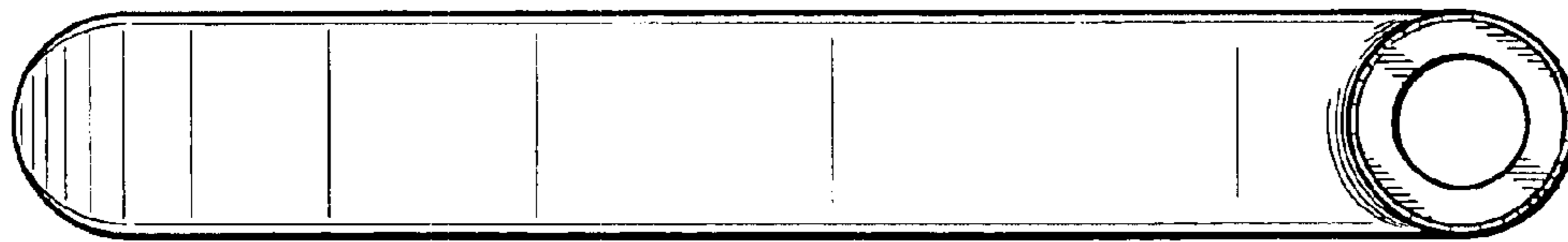


FIG. 6

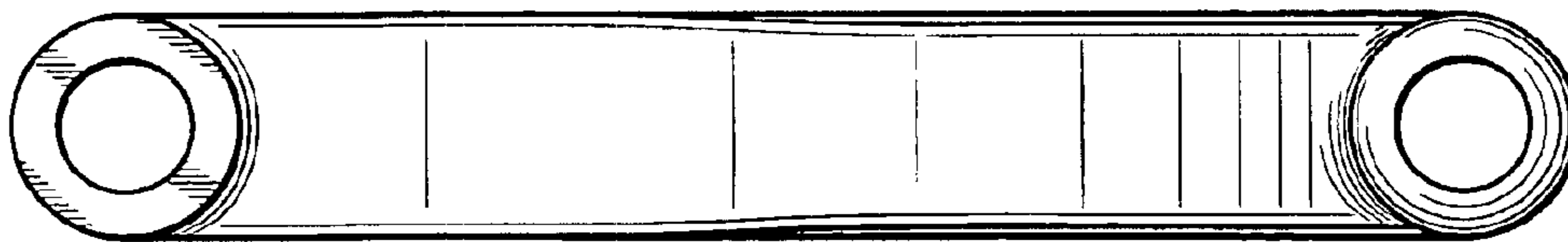


FIG. 7