

US00D506256S

(12) **United States Design Patent**
Miyoshi et al.

(10) **Patent No.: US D506,256 S**
(45) **Date of Patent: ** Jun. 14, 2005**

(54) **ADAPTER FOR TRANSFER OF MEDICAL SOLUTION**

(75) Inventors: **Jun Miyoshi**, Osaka (JP); **Masafumi Aramata**, Osaka (JP); **Makoto Iwaike**, Osaka (JP); **Hidetoshi Tanaka**, Suita (JP)

(73) Assignees: **Nipro Corporation**, Osaka (JP); **Schering Aktiengesellschaft**, Berlin (DE)

(**) Term: **14 Years**

(21) Appl. No.: **29/182,233**

(22) Filed: **May 23, 2003**

(30) **Foreign Application Priority Data**

Nov. 26, 2002	(JP)	2002-032635
Nov. 26, 2002	(JP)	2002-032636
Nov. 26, 2002	(JP)	2002-032637

(51) **LOC (8) Cl.** **24-02**

(52) **U.S. Cl.** **D24/129; D24/108; D24/112; D24/130**

(58) **Field of Search** **D24/130, 129, D24/112, 108; 604/191, 905, 240, 533, 403, 414, 411; 251/149.1**

(56) **References Cited**

U.S. PATENT DOCUMENTS

D314,622 S	*	2/1991	Andersson et al.	D24/112
D321,252 S	*	10/1991	Jepson et al.	D24/112
5,137,524 A	*	8/1992	Lynn et al.	604/533
5,839,715 A	*	11/1998	Leinsing	251/149.1

* cited by examiner

Primary Examiner—Ian Simmons

(74) *Attorney, Agent, or Firm*—Birch, Stewart, Kolasch & Birch, LLP

(57) **CLAIM**

The ornamental design for an adapter for transfer of medical solution, as shown and described.

DESCRIPTION

FIG. 1 is a perspective view of an adapter for transfer of medical solution showing our new design; FIG. 2 is a front view thereof, the opposite side being a mirror image of the side shown herein; FIG. 3 is a right side view thereof, the opposite side being a mirror image of the side shown herein; FIG. 4 is a top view thereof; and, FIG. 5 is a bottom view thereof.

1 Claim, 4 Drawing Sheets

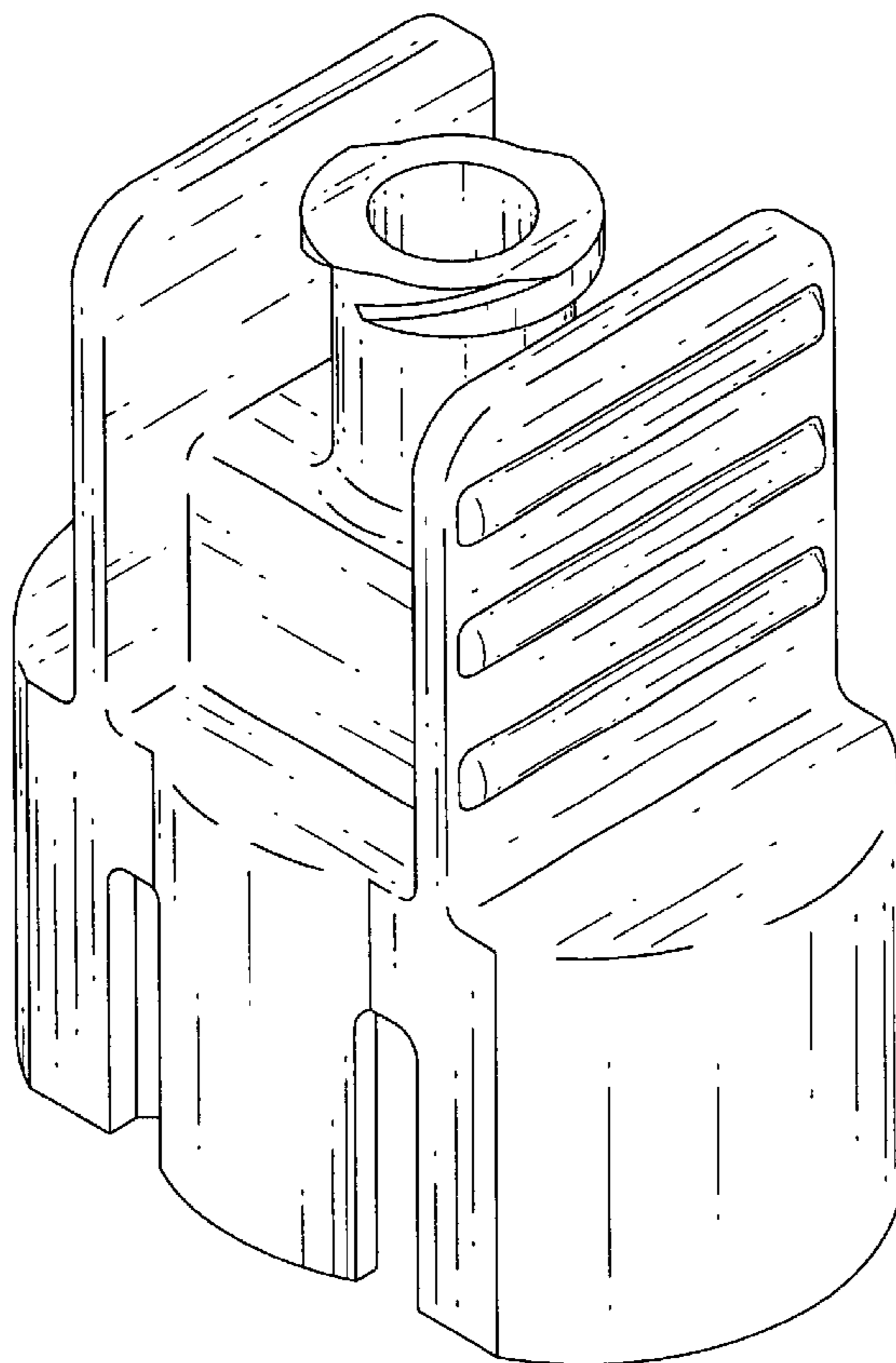


Fig. 1

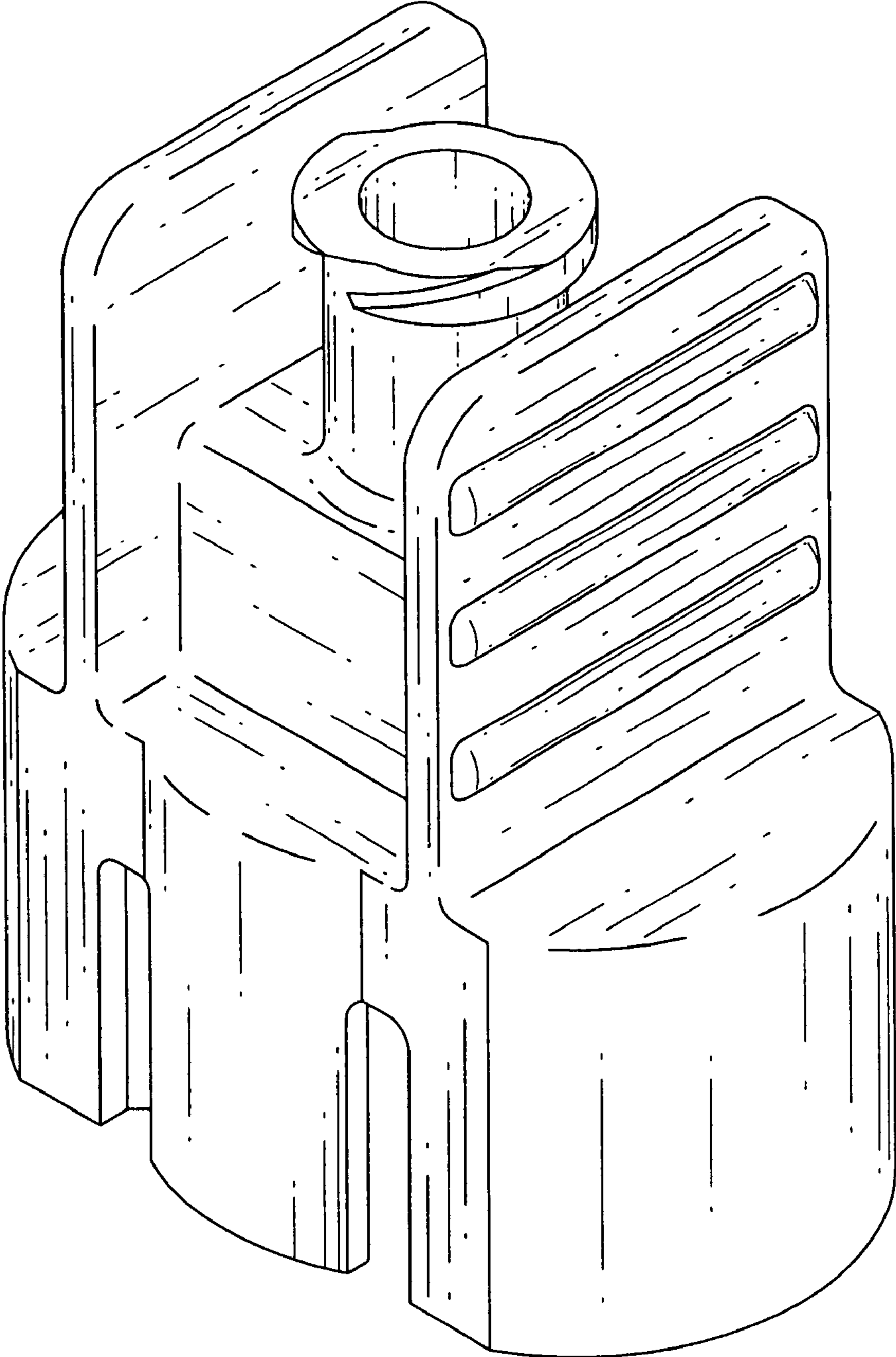


Fig. 2

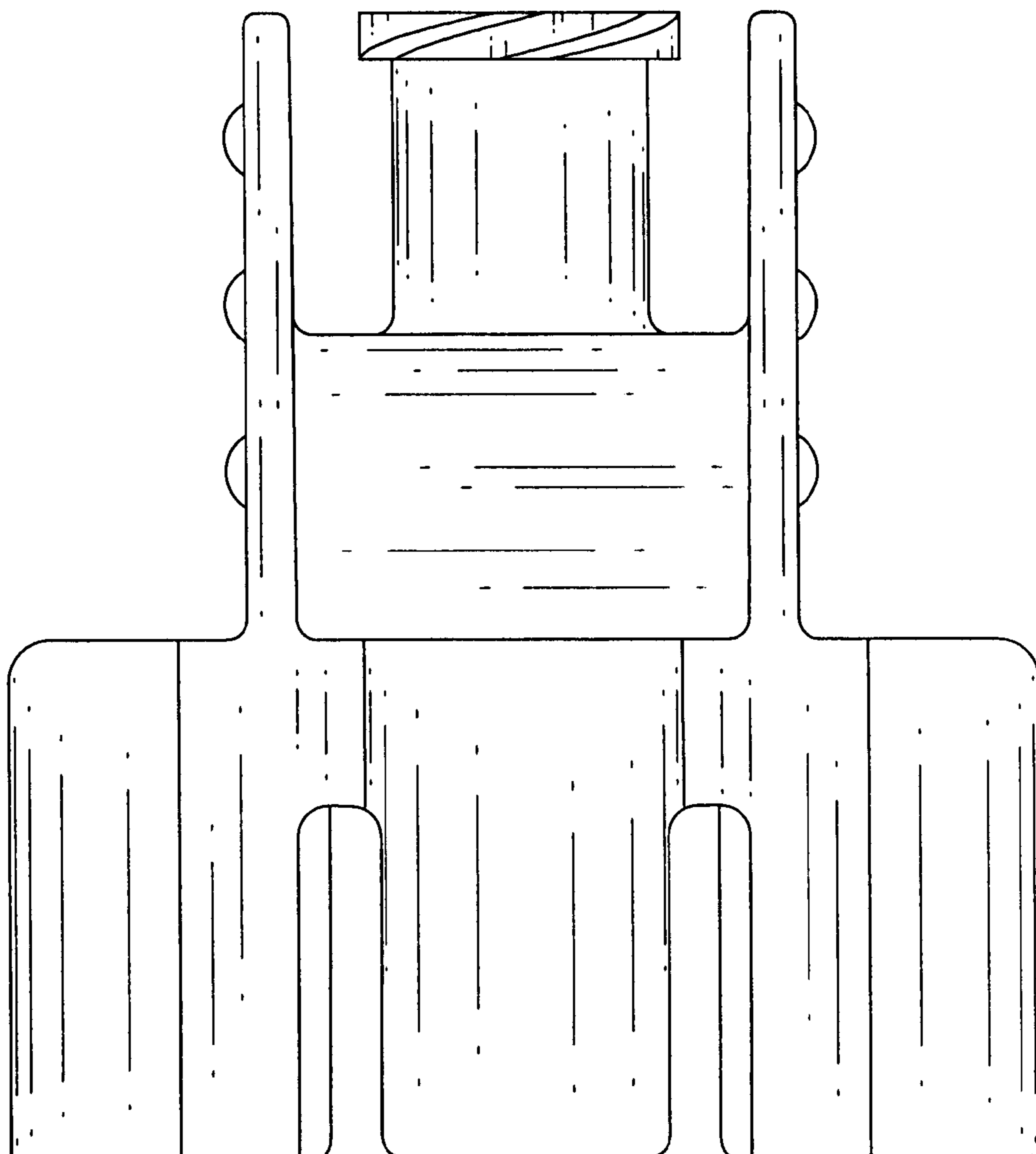


Fig. 3

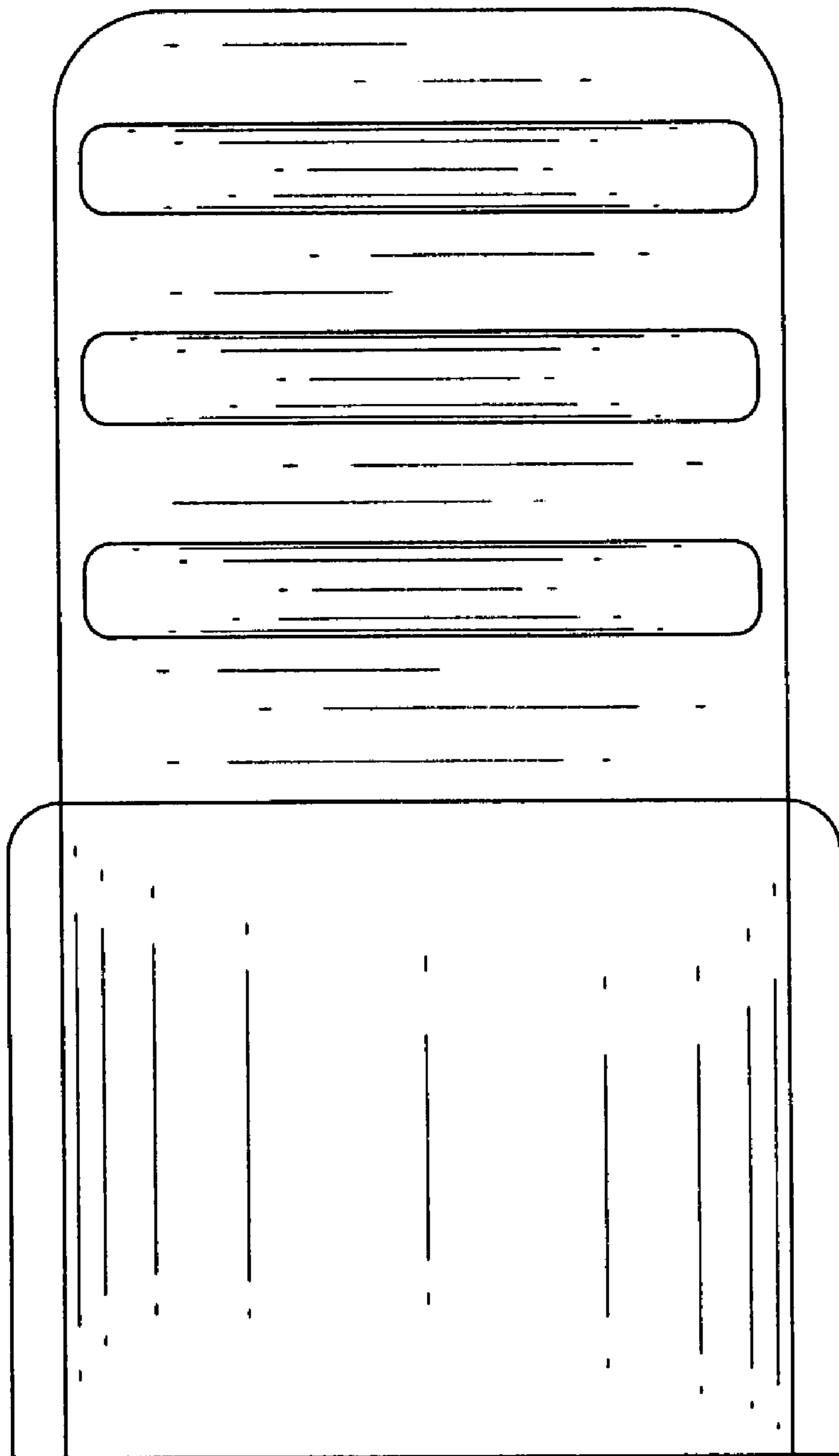


Fig. 4

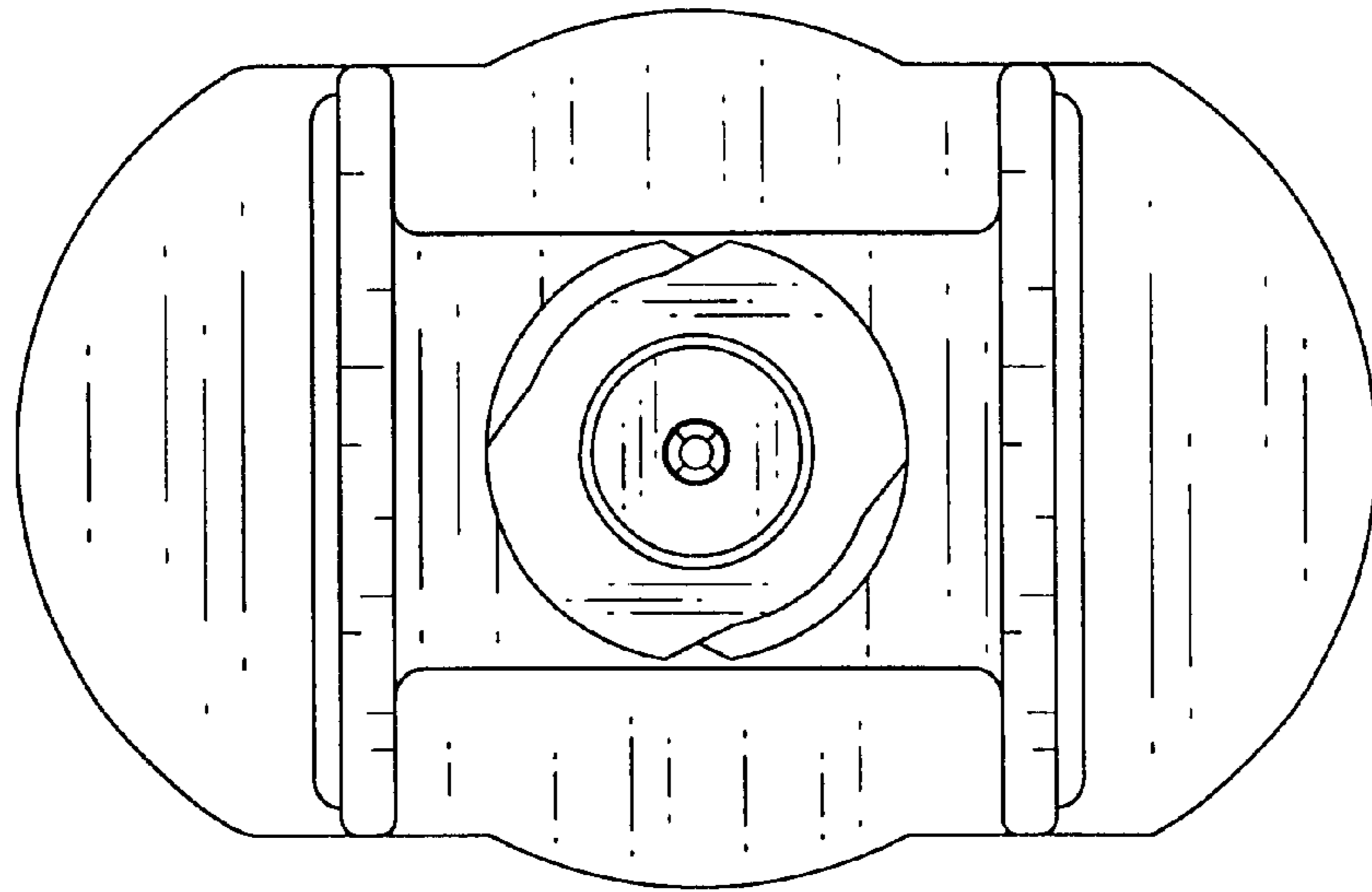


Fig. 5

