

US00D506245S

(12) **United States Design Patent**
Painter

(10) **Patent No.:** **US D506,245 S**
(45) **Date of Patent:** **** Jun. 14, 2005**

(54) **SINGLE BOWL SINK**

(75) **Inventor:** **Michael J. Painter**, Reynoldsburg, OH
(US)

(73) **Assignee:** **American Standard International Inc.**, New York, NY (US)

(**) **Term:** **14 Years**

(21) **Appl. No.:** **29/185,517**

(22) **Filed:** **Jun. 27, 2003**

(51) **LOC (8) Cl.** **23-02**

(52) **U.S. Cl.** **D23/287**

(58) **Field of Search** D23/270-273,
D23/284-286, 293.1, 303, 308, 289, 292,
290; 4/661-666, 619, 624, 630, 519, 638,
643, 515

(56) **References Cited**

U.S. PATENT DOCUMENTS

2,027,707 A * 1/1936 Schmiedeknecht D23/287

4,995,410 A * 2/1991 Lash 4/665
D463,538 S * 9/2002 Chipperfield D23/284
D499,801 S * 12/2004 Soulier D23/287

* cited by examiner

Primary Examiner—Robert A. Delehanty

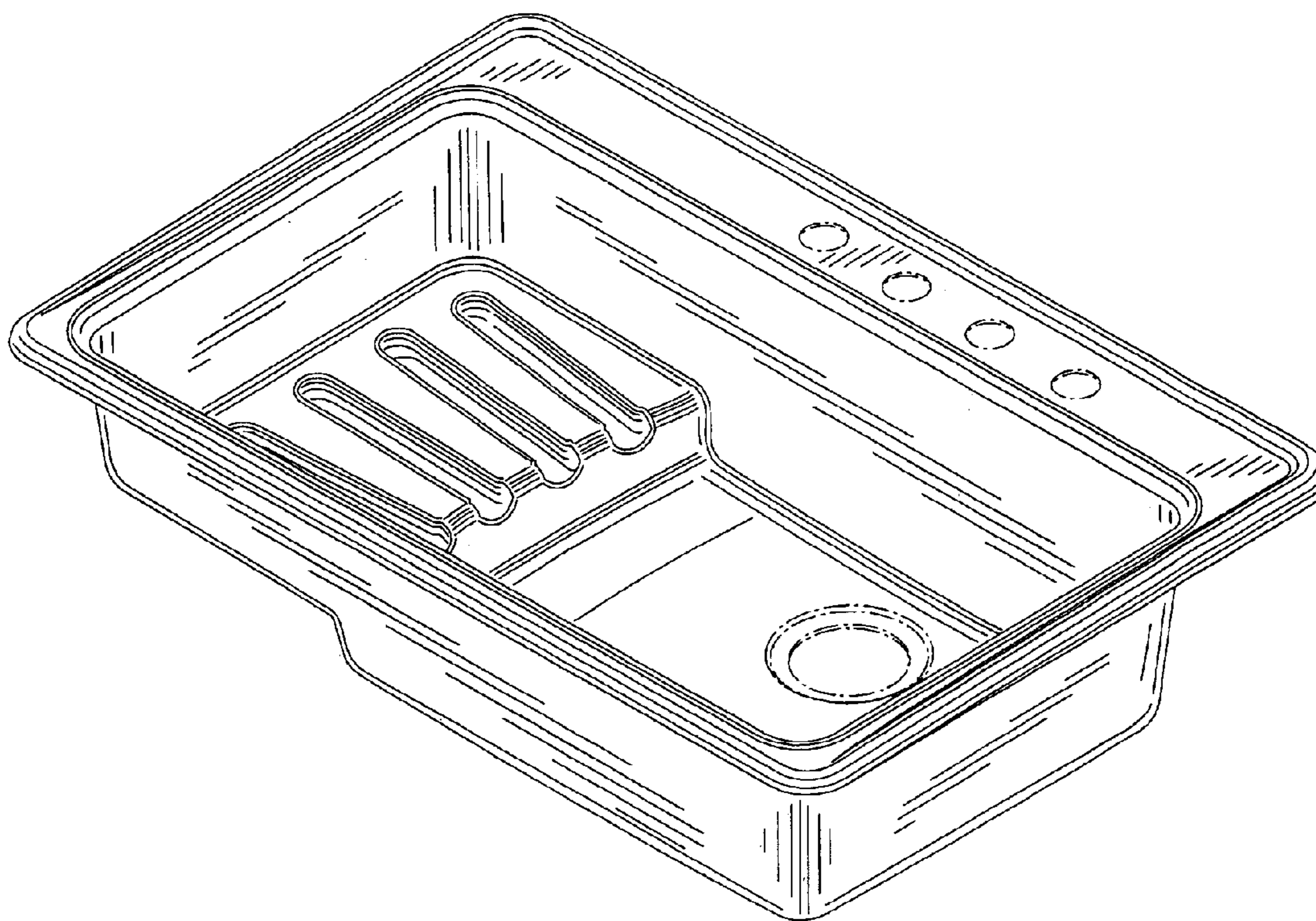
(57) **CLAIM**

The ornamental design for a single bowl sink, as shown and described.

DESCRIPTION

FIG. 1 is a perspective view of a single bowl sink showing my new design;
FIG. 2 is a top plan view thereof;
FIG. 3 is a front elevational view thereof;
FIG. 4 is the left side elevational view thereof;
FIG. 5 is a right side elevational view thereof;
FIG. 6 is a bottom plan view thereof; and,
FIG. 7 is a rear elevational view thereof.
The broken line showing of plumbing holes is for illustrative purposes only and forms no part of the claimed design.

1 Claim, 6 Drawing Sheets



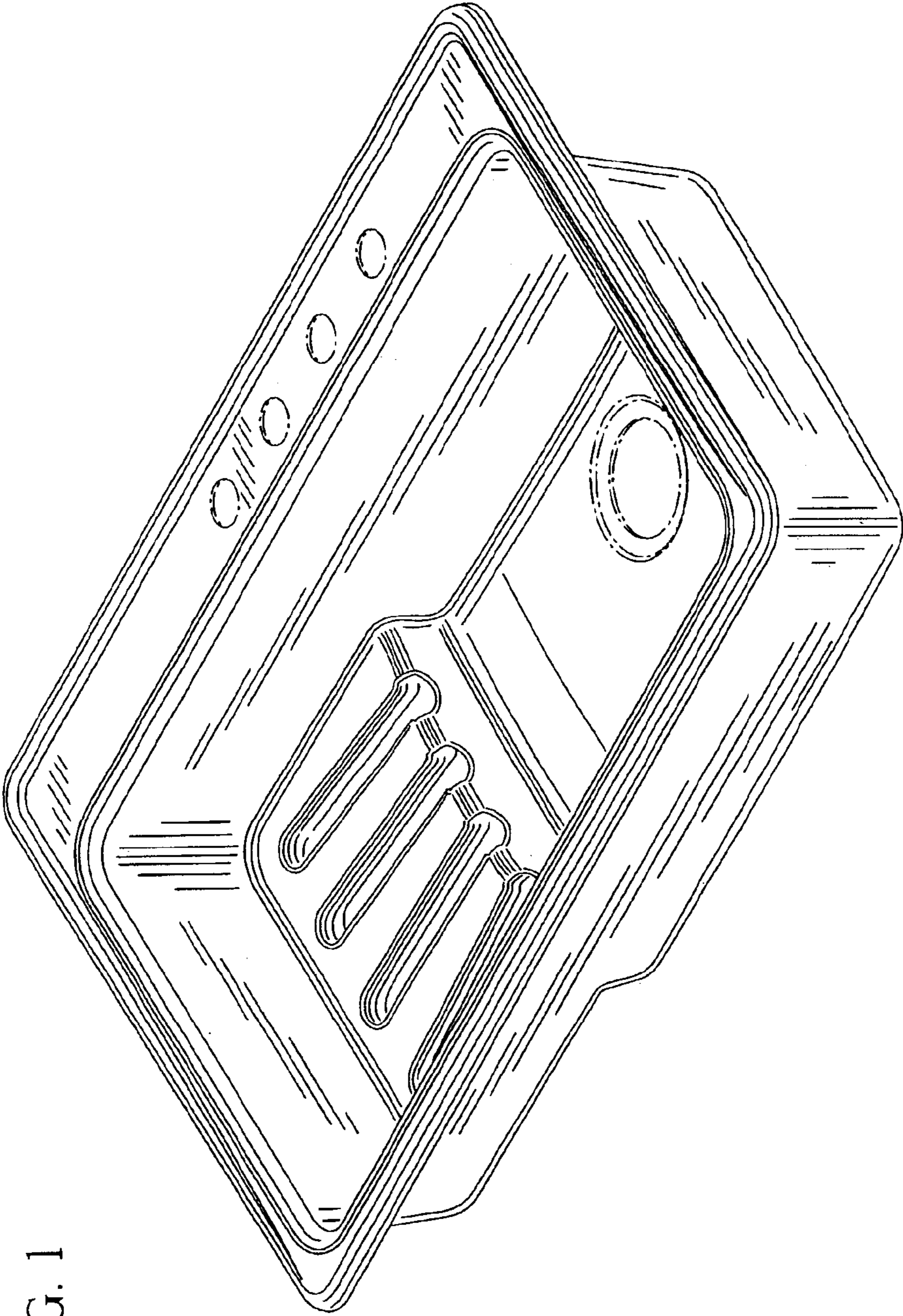


FIG. 1

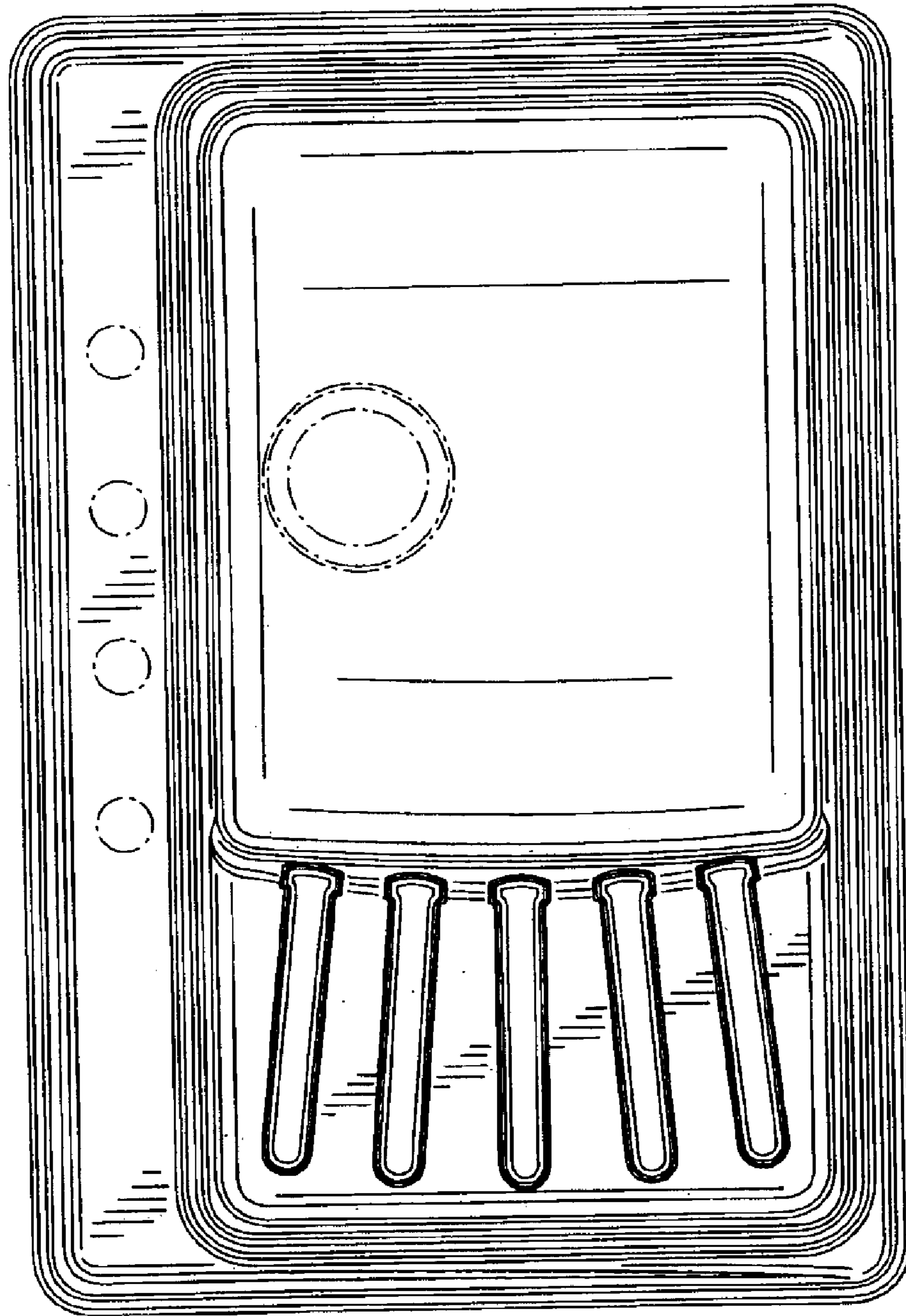


FIG. 2

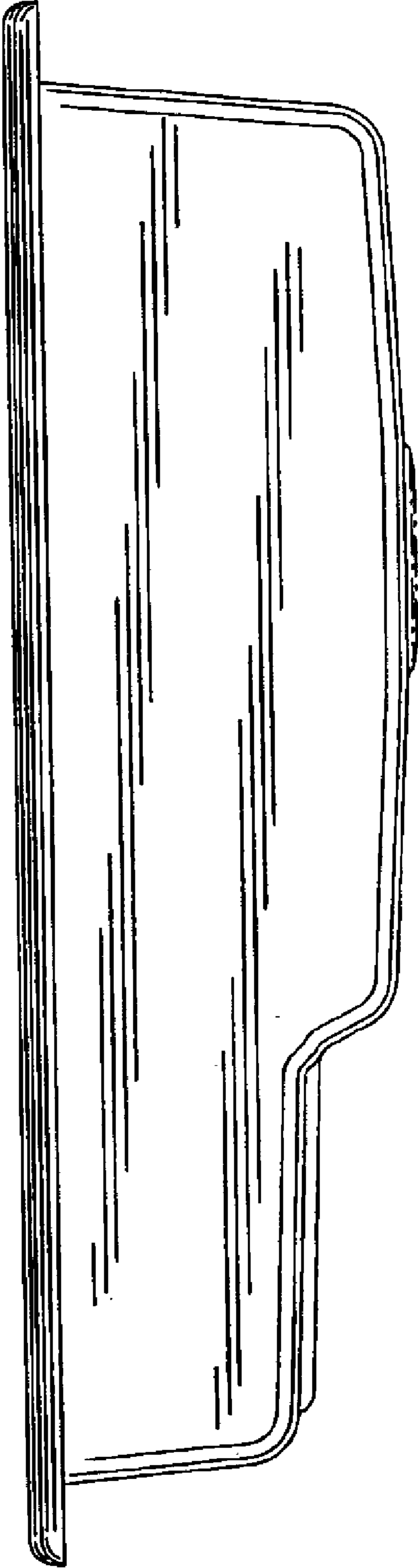


FIG. 3

FIG. 5

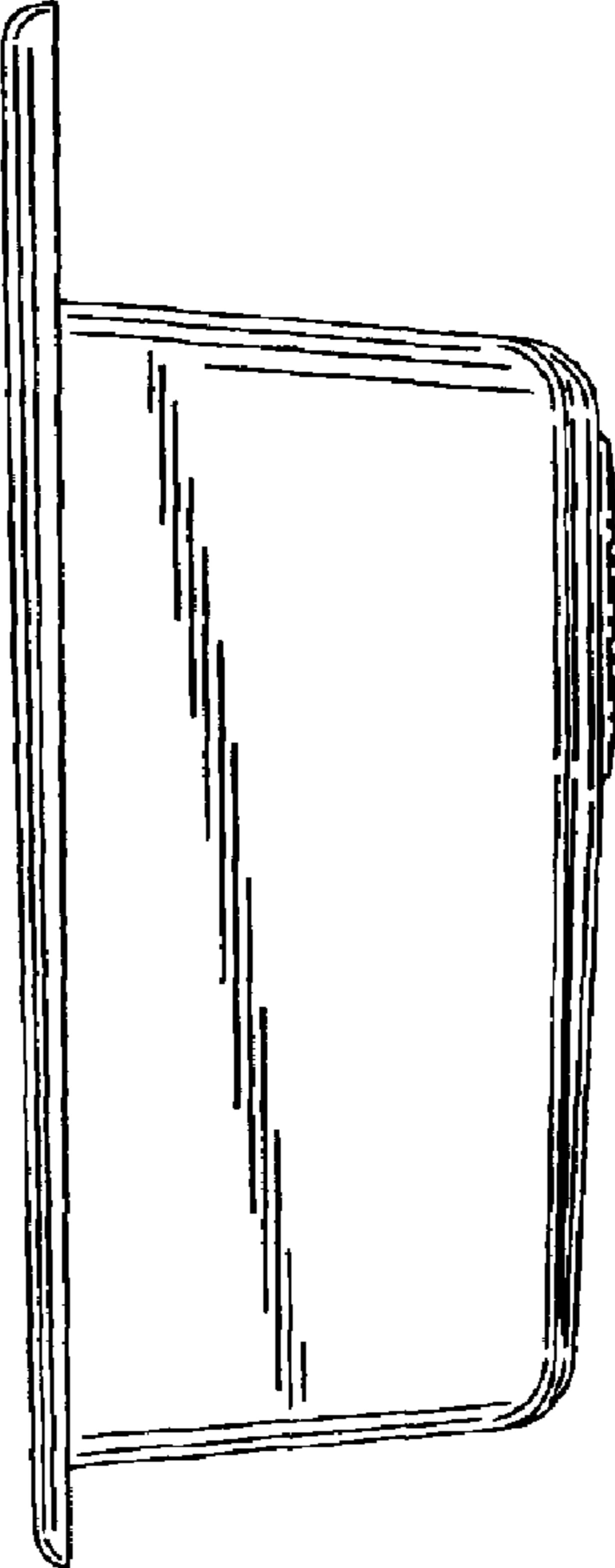
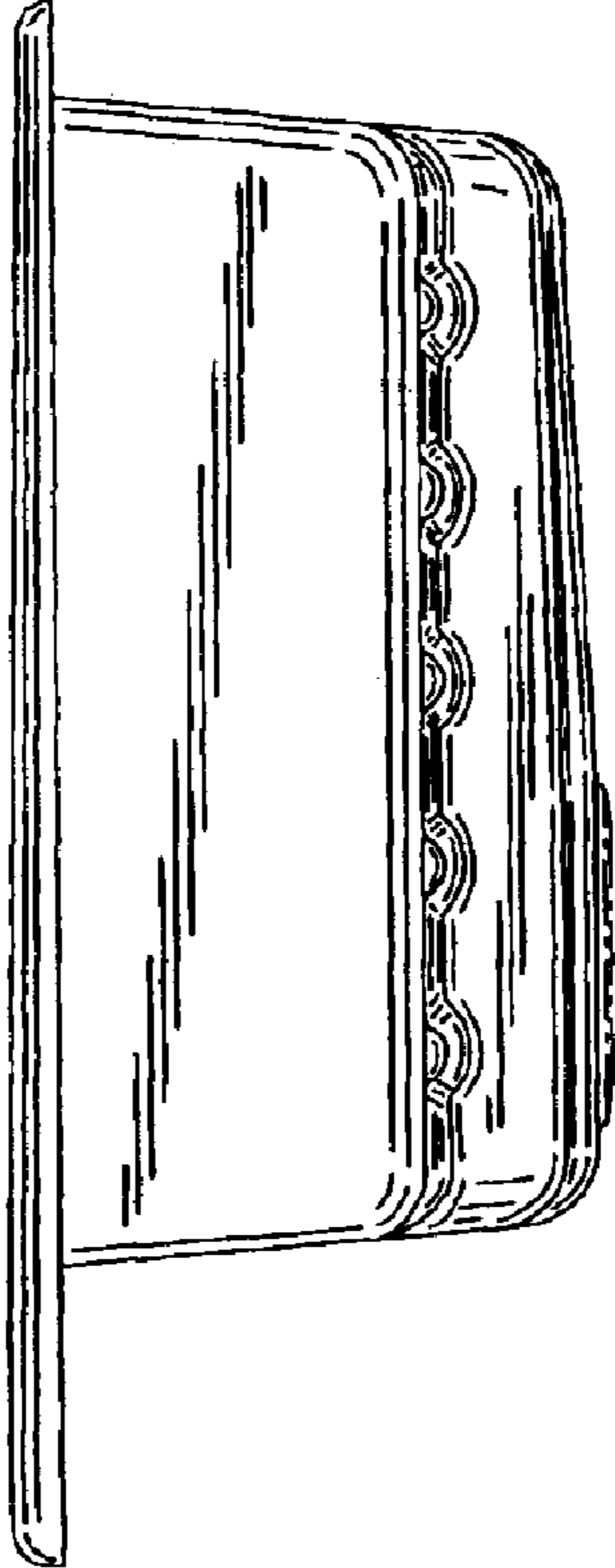


FIG. 4



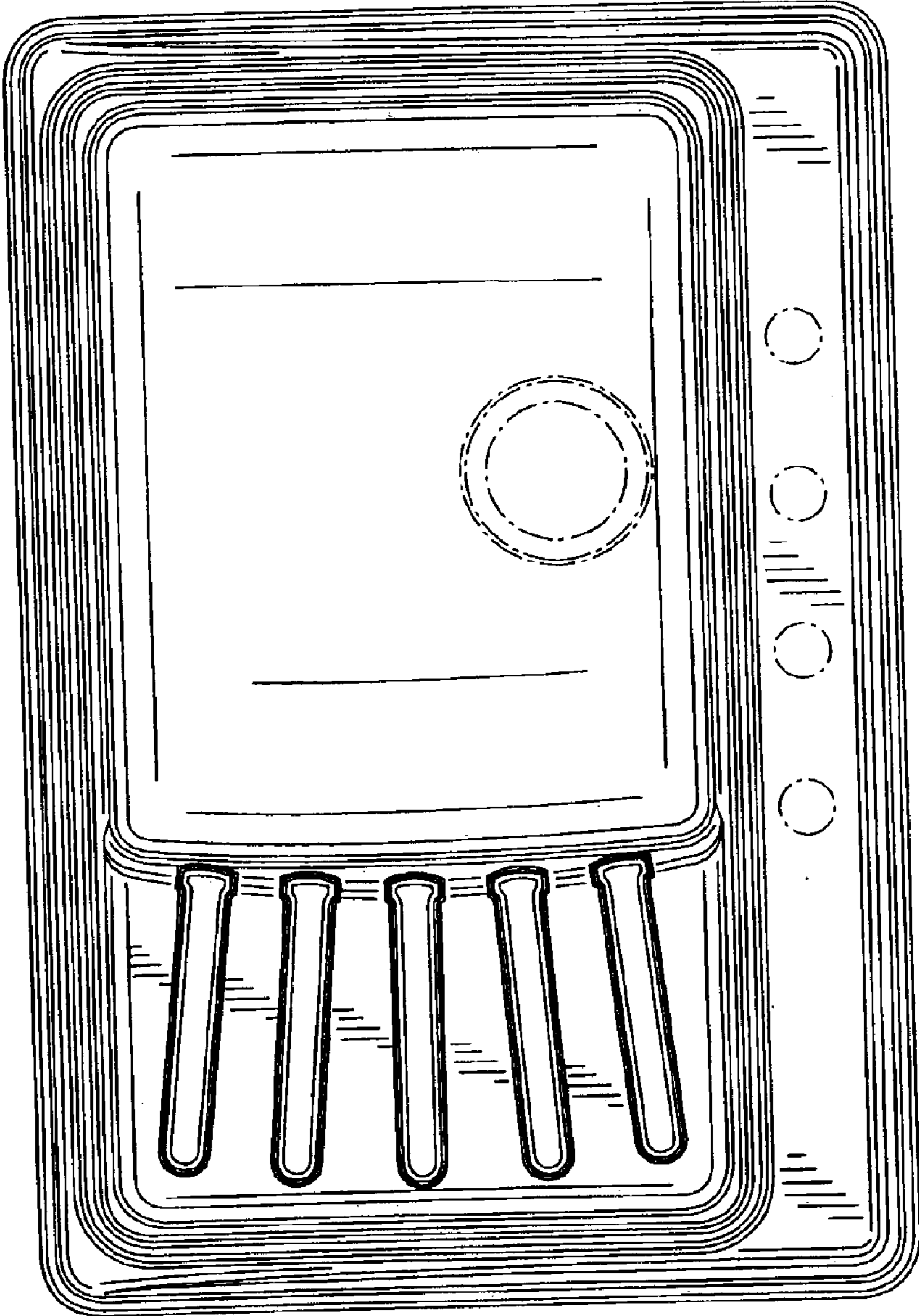


FIG. 6

FIG. 7

