

US00D506241S

(12) **United States Design Patent**
Lloyd

(10) **Patent No.:** **US D506,241 S**

(45) **Date of Patent:** **** Jun. 14, 2005**

(54) **WATER INTAKE DRUM FOR PONDS**

D409,714 S * 5/1999 Stone D23/207
D456,061 S * 4/2002 Hood et al. D23/208

(76) **Inventor:** **Bruce S. Lloyd**, 11F Poco Way,
American Canyon, CA (US) 94503

* cited by examiner

(**) **Term:** **14 Years**

Primary Examiner—Robin V. Taylor
(74) *Attorney, Agent, or Firm*—Craig M. Stainbrook; Larry
D. Johnson; Johnson & Stainbrook, LLP

(21) **Appl. No.:** **29/202,162**

(22) **Filed:** **Mar. 26, 2004**

(57) **CLAIM**

(51) **LOC (8) Cl.** **23-01**

The ornamental design for an water intake drum for ponds,
as shown and described.

(52) **U.S. Cl.** **D23/208; D23/207**

(58) **Field of Search** D23/207, 208,
D23/209; D21/603; 210/242.1; 137/268;
4/507; 422/264, 265

DESCRIPTION

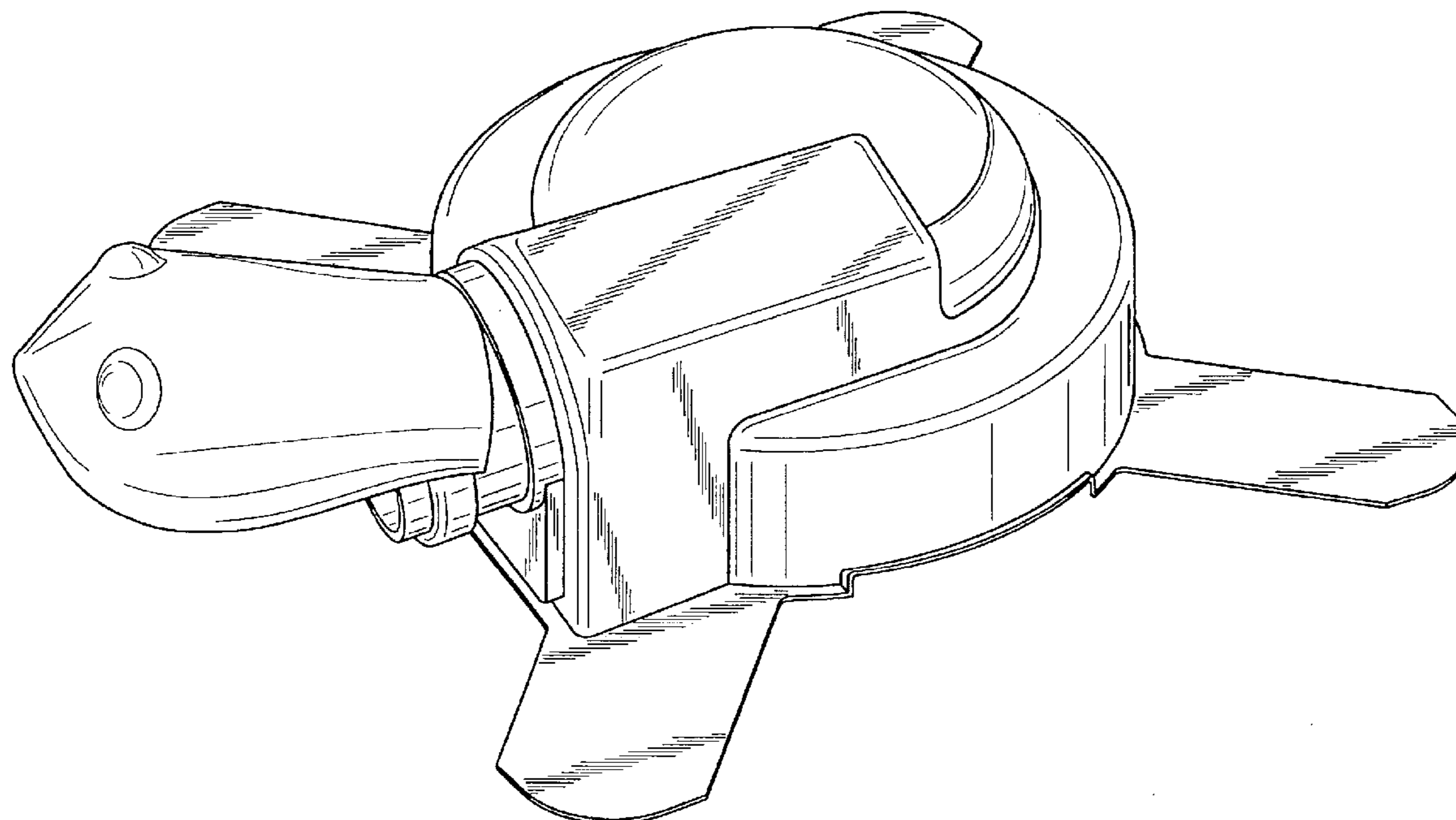
(56) **References Cited**

U.S. PATENT DOCUMENTS

D252,337 S * 7/1979 Hehnen D23/207
D260,794 S * 9/1981 Tabata D21/592
D371,140 S * 6/1996 Anderson D23/209
D396,522 S * 7/1998 Erdewyk et al. D23/207

FIG. 1 is a upper right front perspective view;
FIG. 2 is a right side view in elevation;
FIG. 3 is a rear view in elevation;
FIG. 4 is a left side view in elevation;
FIG. 5 is a front view in elevation;
FIG. 6 is a top plan view; and,
FIG. 7 is a bottom plan view.

1 Claim, 5 Drawing Sheets



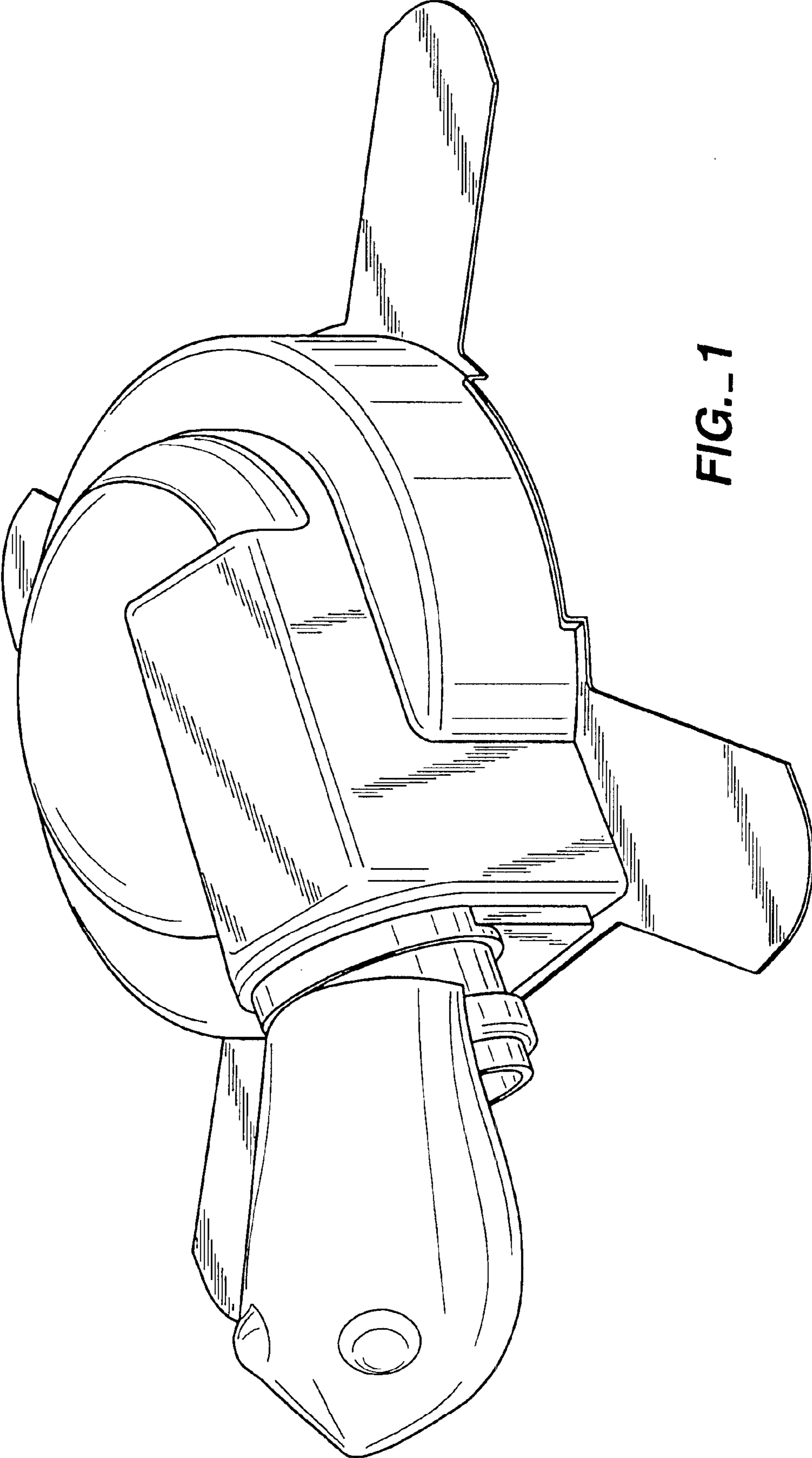


FIG. 1

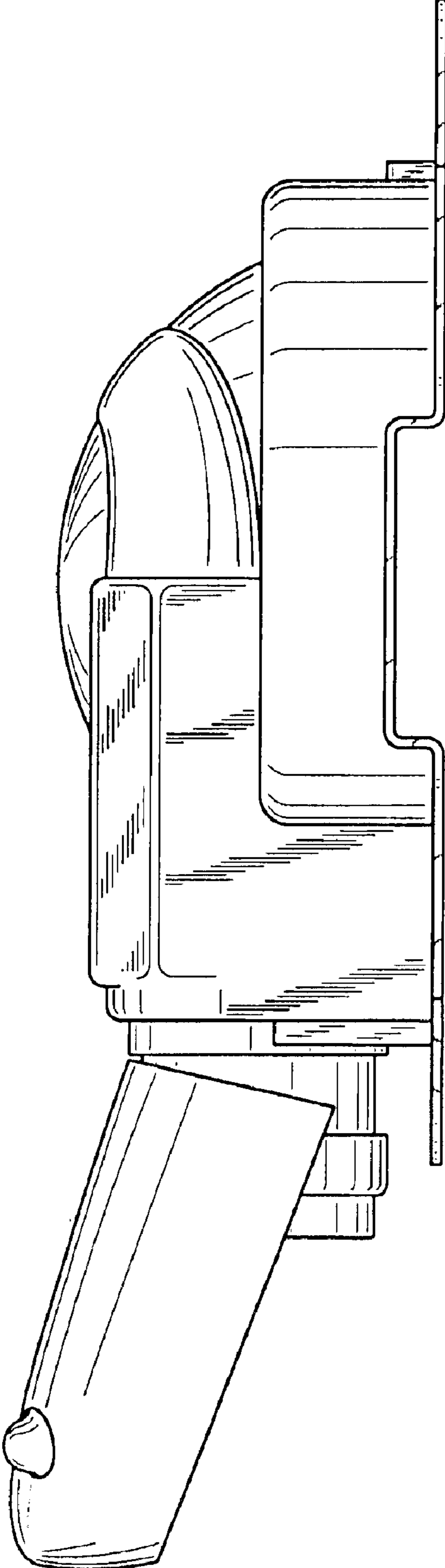


FIG. 2

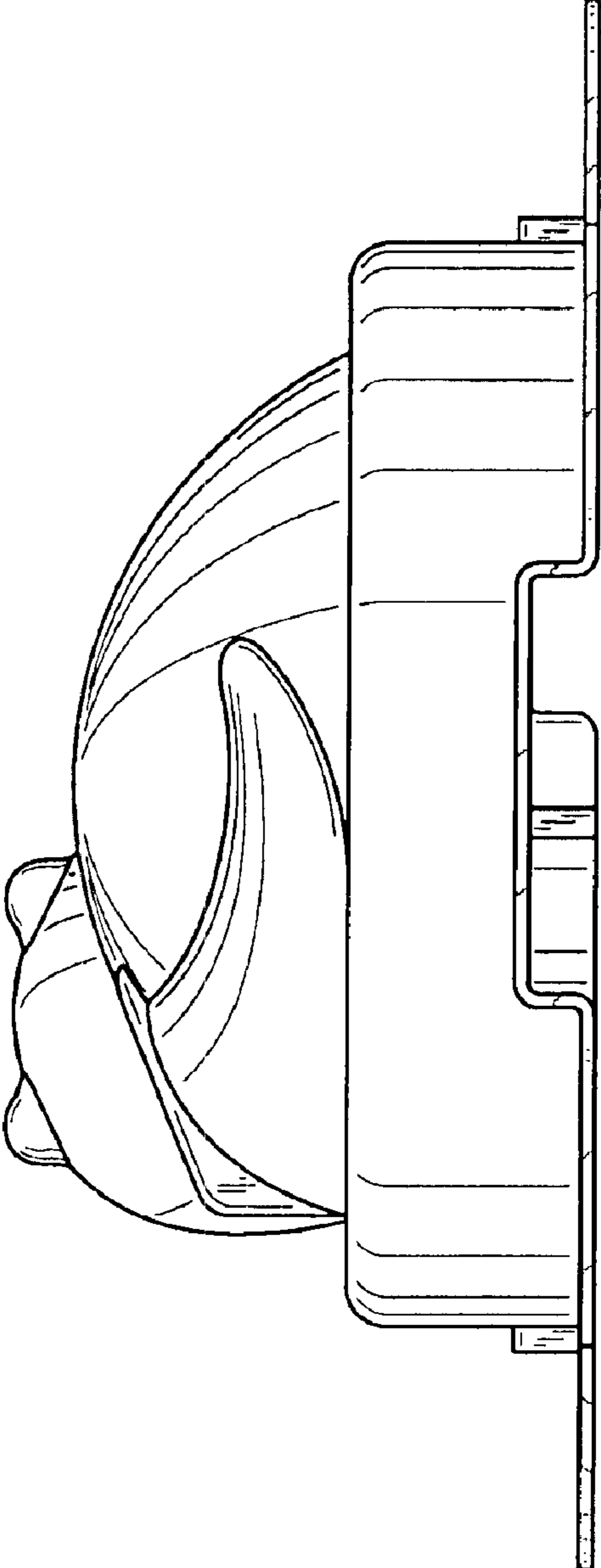


FIG. 3

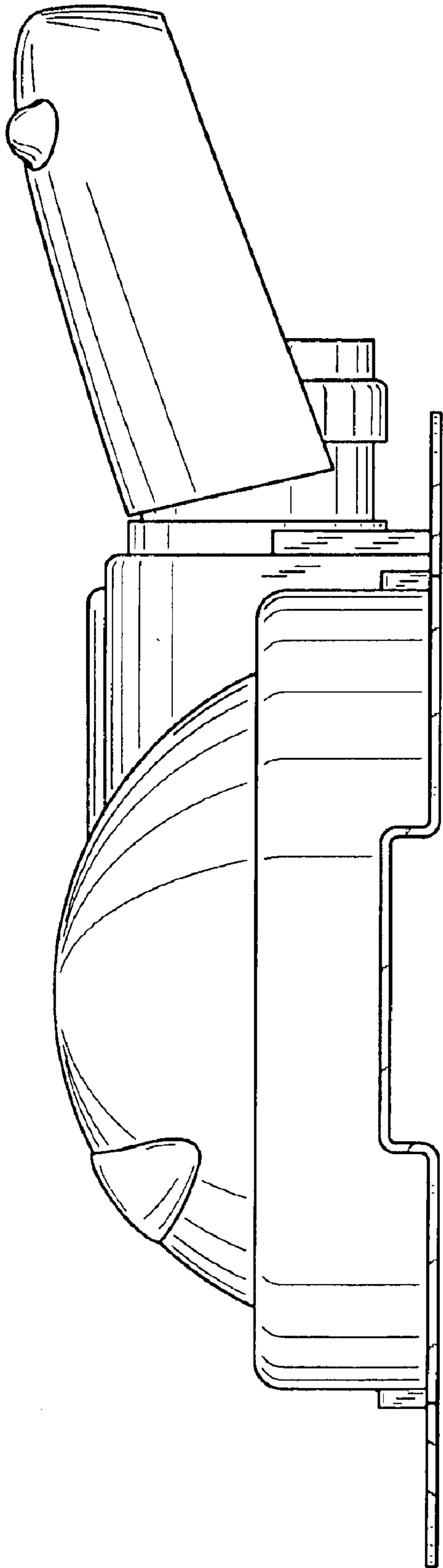


FIG. 4

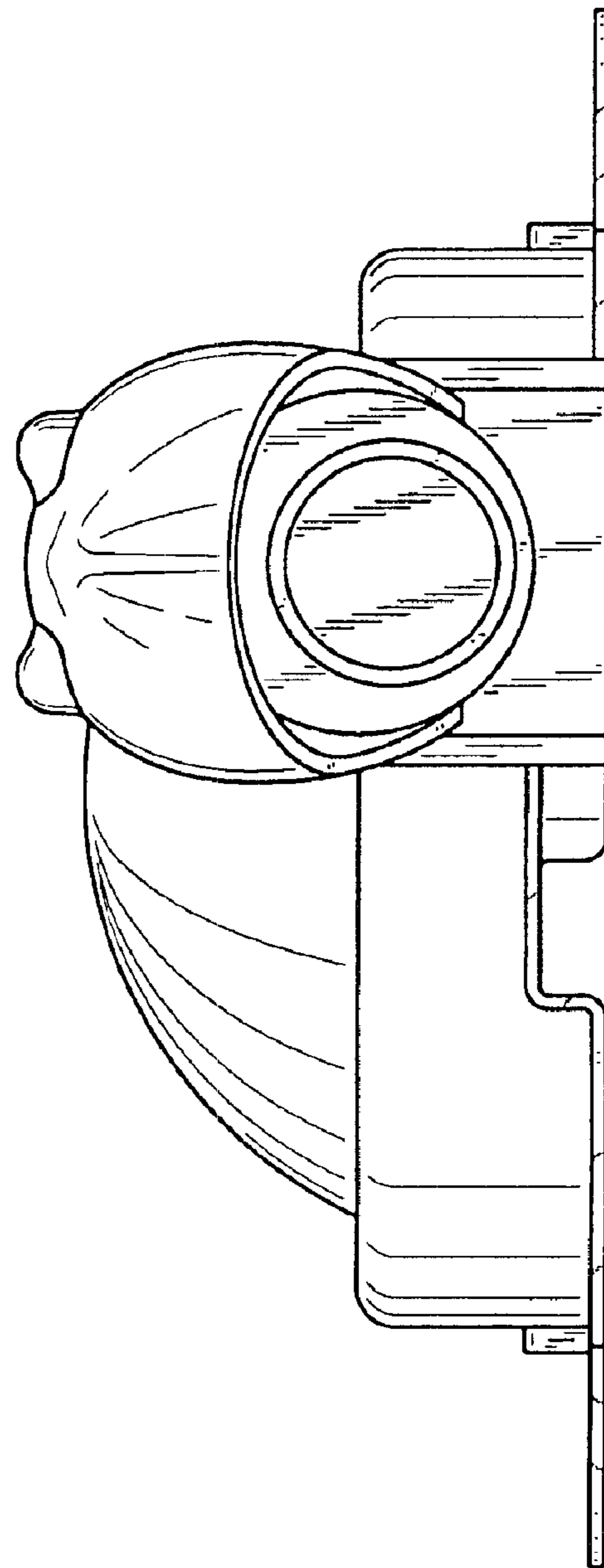


FIG. 5

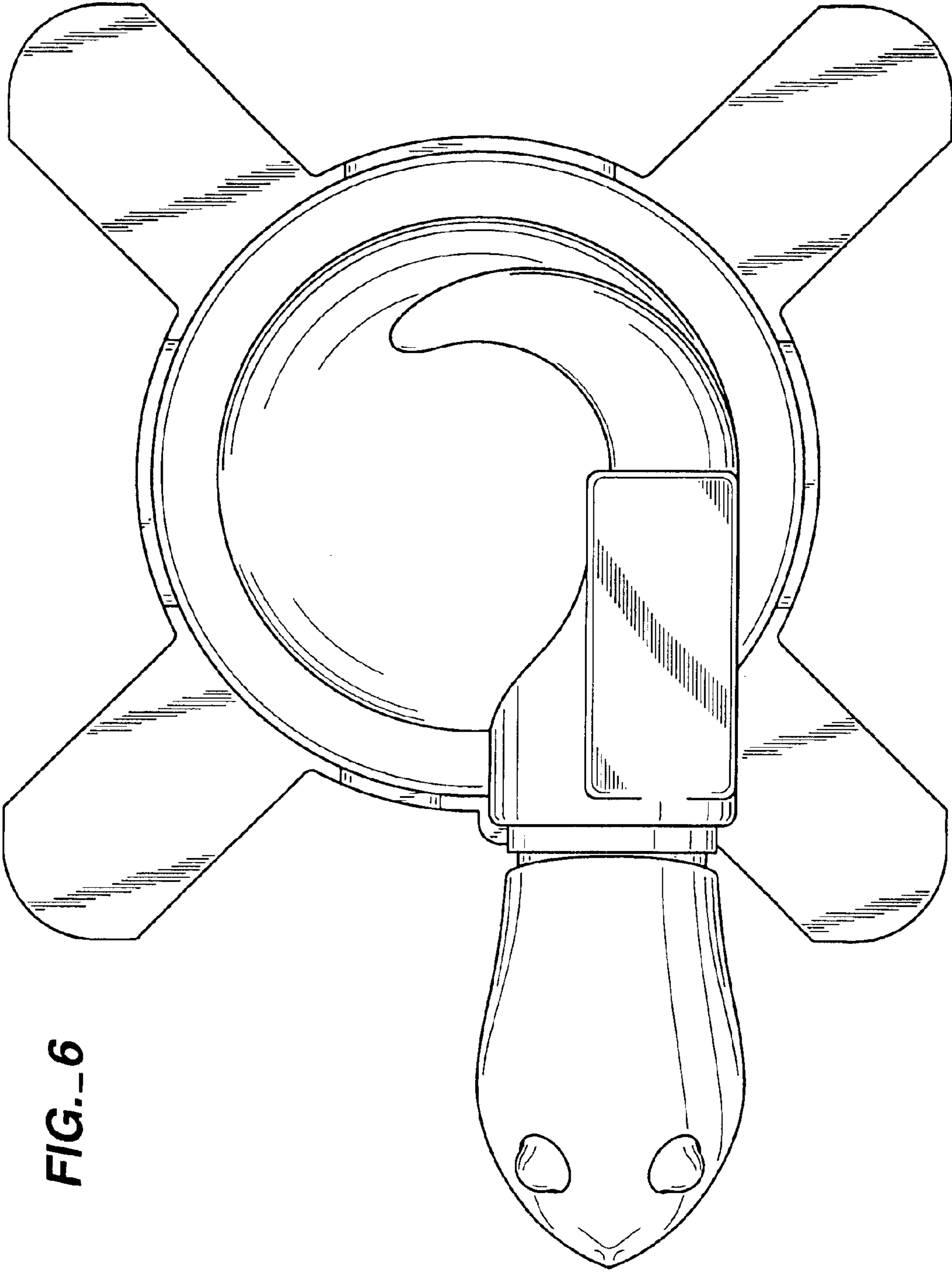


FIG.-6

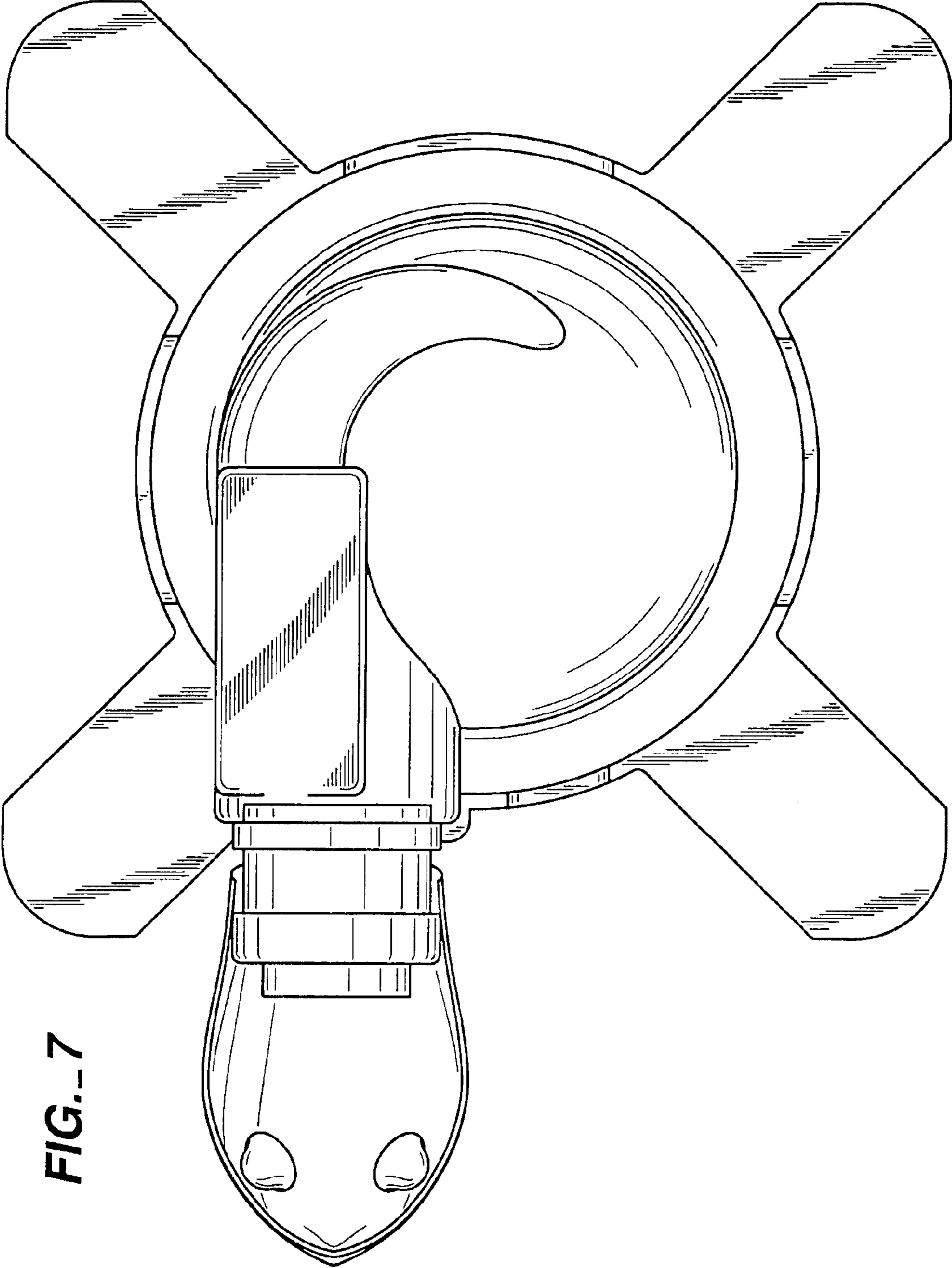


FIG. 7