

US00D506240S

(12) **United States Design Patent**  
**Tseng**

(10) **Patent No.:** **US D506,240 S**  
(45) **Date of Patent:** **\*\* Jun. 14, 2005**

- (54) **TENT**
- (75) **Inventor:** **Chuen-Jong Tseng**, Chiayi Hsien (TW)
- (73) **Assignee:** **Taiwan Shin Yeh Enterprise Co., Ltd.**,  
Chiayi Hsien (TW)
- (\*\*) **Term:** **14 Years**
- (21) **Appl. No.:** **29/203,933**
- (22) **Filed:** **Apr. 21, 2004**
- (51) **LOC (8) Cl.** ..... **21-04**
- (52) **U.S. Cl.** ..... **D21/837**
- (58) **Field of Search** ..... D21/834-839,  
D21/506; D25/16-21, 58; 135/124-128,  
136-138, 900-902, 906, 908

- 3,080,875 A \* 3/1963 Bartlett ..... 135/906
- 3,255,769 A \* 6/1966 Lloyd ..... 135/138
- 6,167,896 B1 \* 1/2001 Smith ..... 135/900
- D438,589 S \* 3/2001 Brown ..... D21/837
- 6,345,638 B1 \* 2/2002 Warner ..... 135/908
- D470,560 S \* 2/2003 Han ..... D21/837

\* cited by examiner

*Primary Examiner*—Raphael Barkai  
(74) *Attorney, Agent, or Firm*—Ladas & Parry LLP

(57) **CLAIM**

The ornamental design for tent, as shown and described.

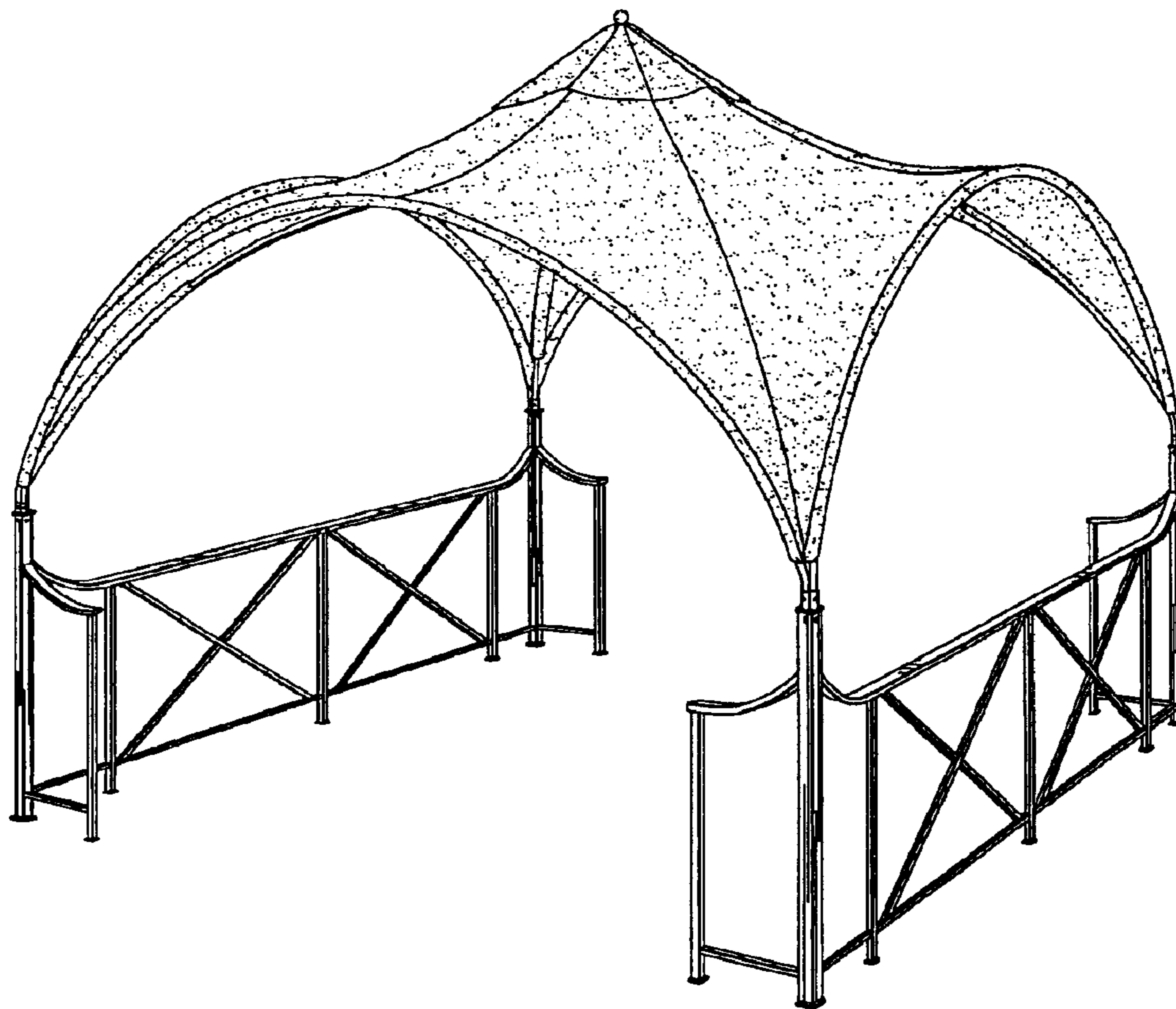
**DESCRIPTION**

FIG. 1 is a perspective view of tent showing my new design;  
FIG. 2 is a front elevational view thereof;  
FIG. 3 is a rear elevational view thereof;  
FIG. 4 is a left side elevational view thereof;  
FIG. 5 is a right side elevational view thereof;  
FIG. 6 is a top plan view thereof; and,  
FIG. 7 is a bottom plan view thereof.

(56) **References Cited**  
U.S. PATENT DOCUMENTS

- 1,264,078 A \* 4/1918 Jaureguy ..... 135/126
- 1,454,395 A \* 5/1923 McDonald ..... 135/906
- 2,827,138 A \* 3/1958 Roy, Jr. .... 135/906
- 3,017,893 A \* 1/1962 Greenbie ..... 135/908

**1 Claim, 4 Drawing Sheets**



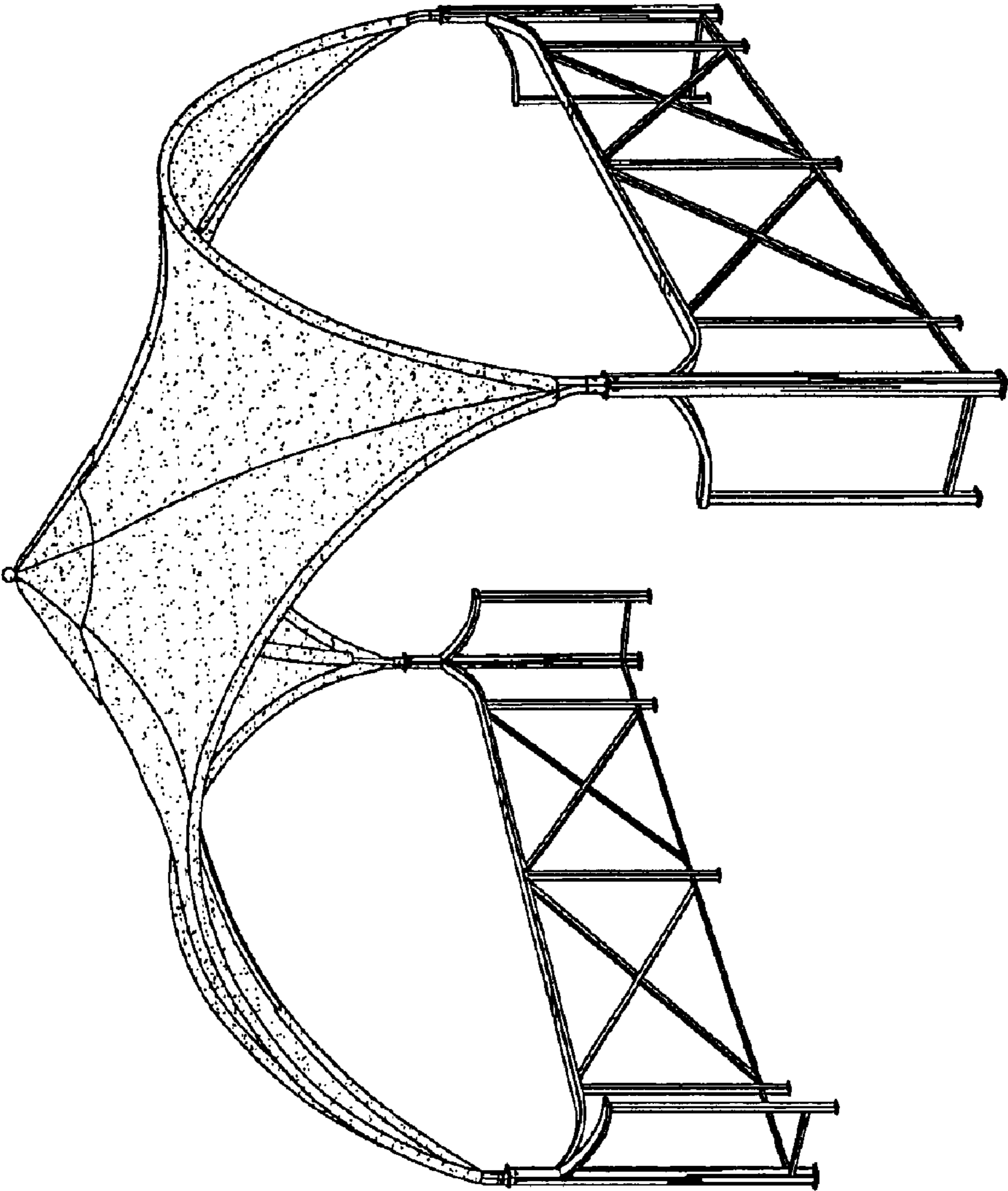


FIG. 1

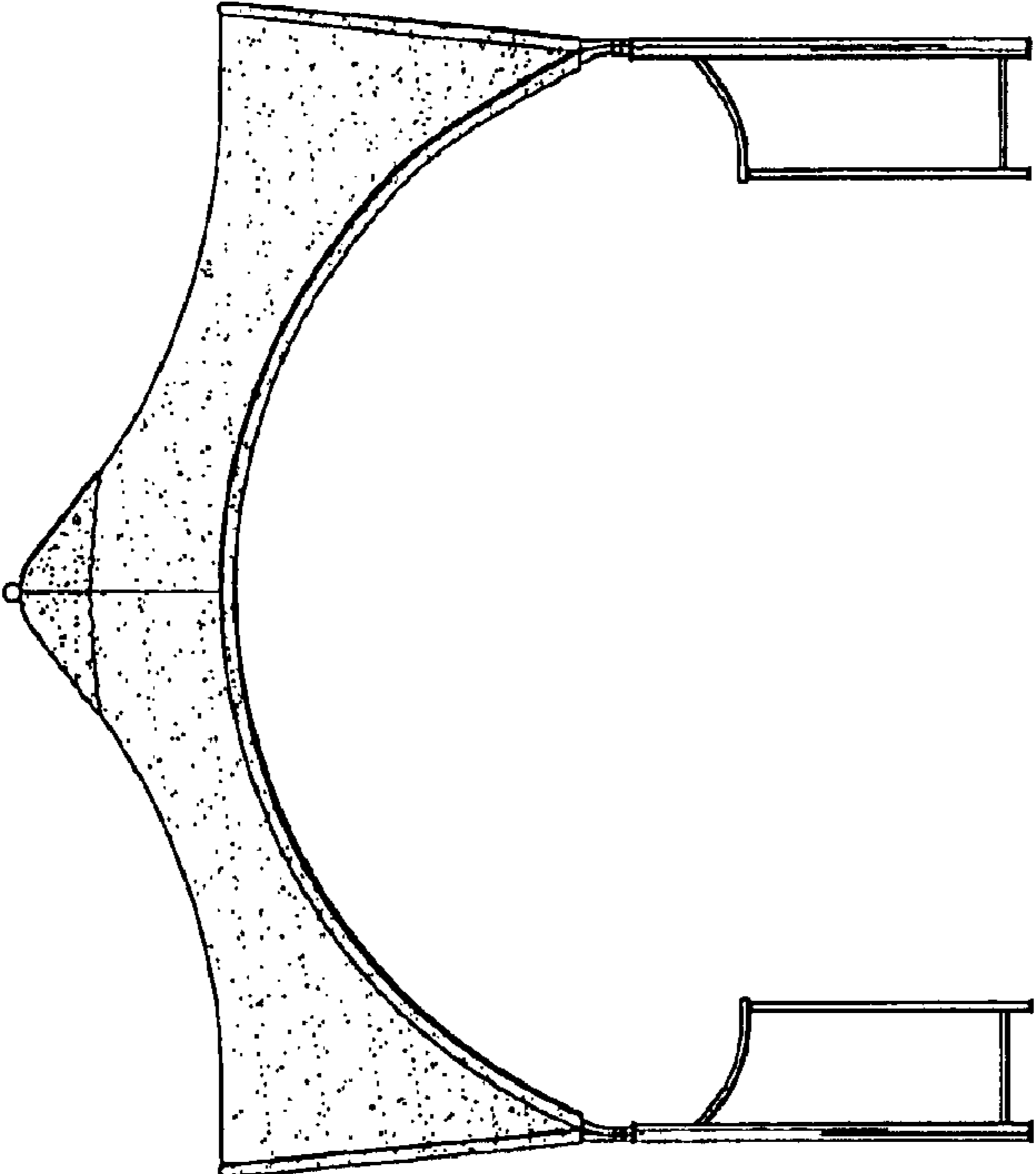


FIG. 3

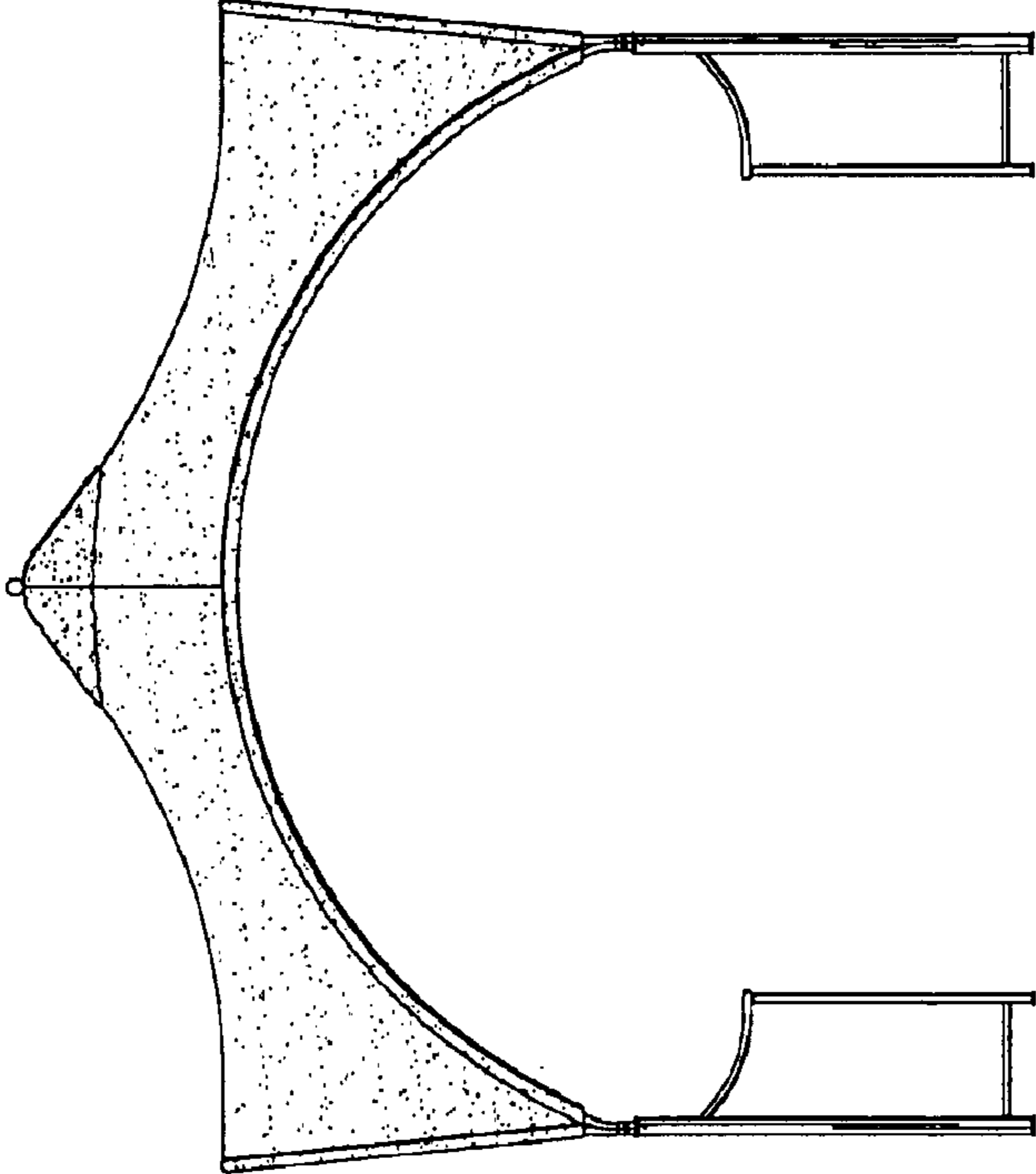


FIG. 2

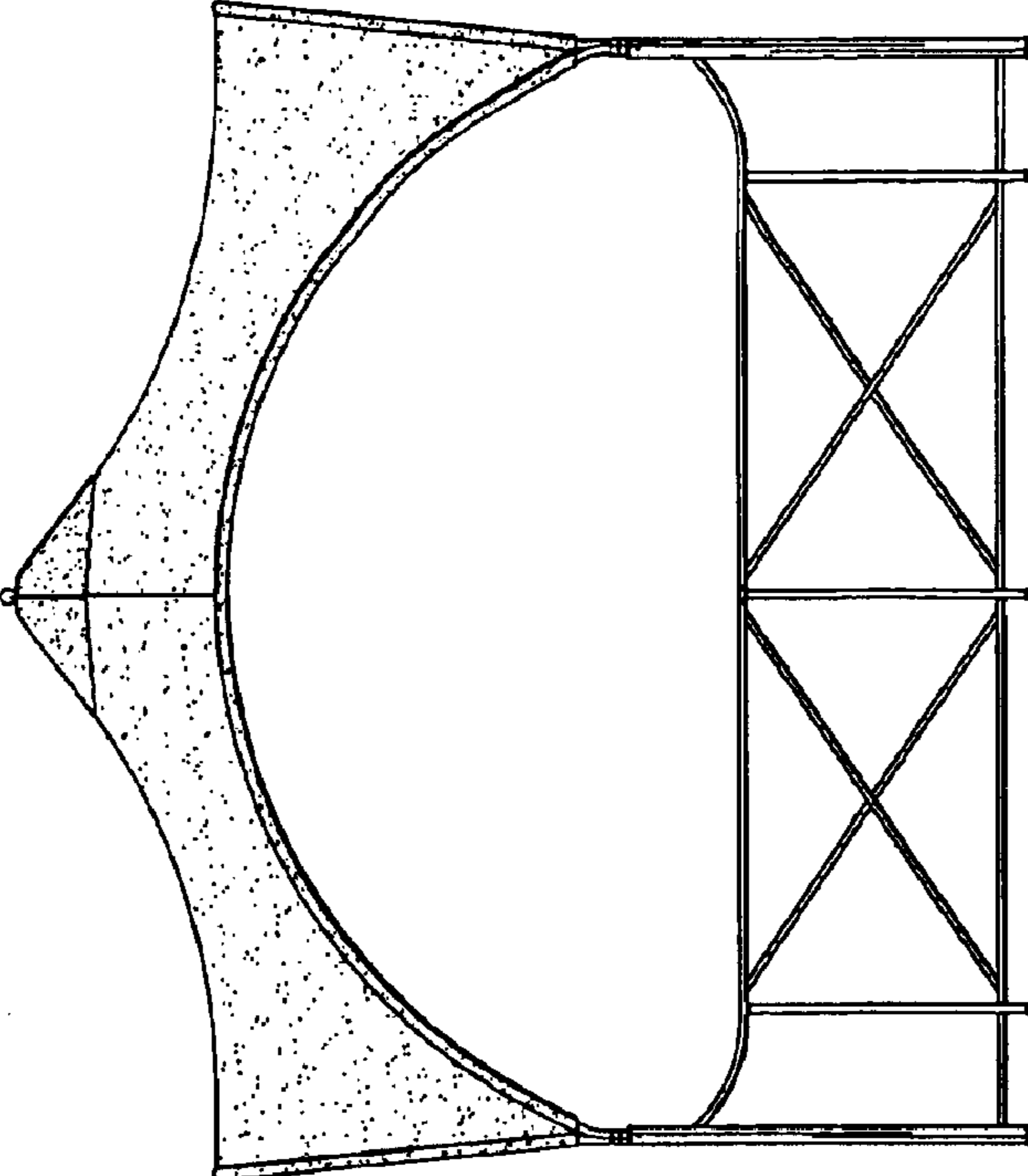


FIG. 5

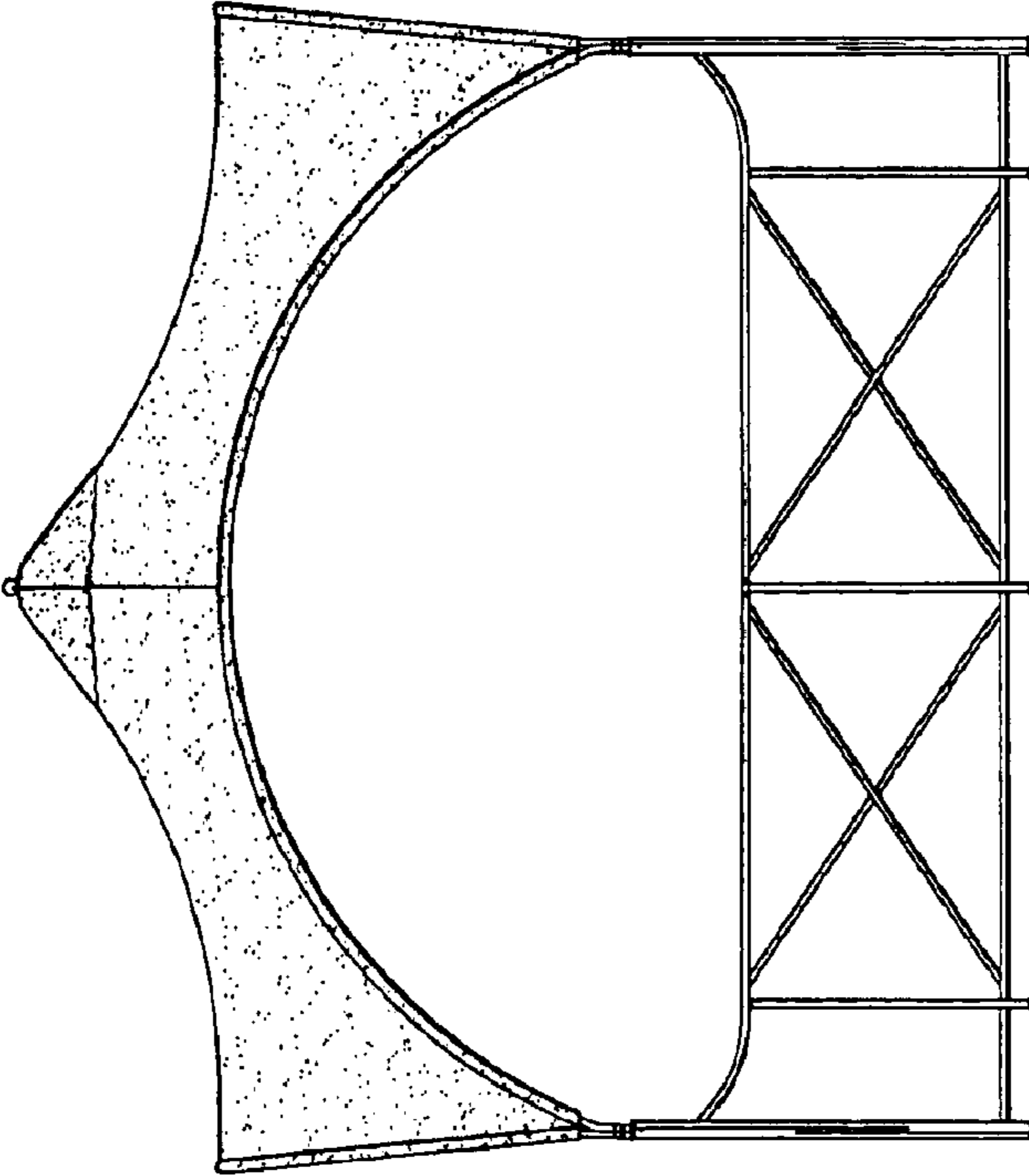


FIG. 4

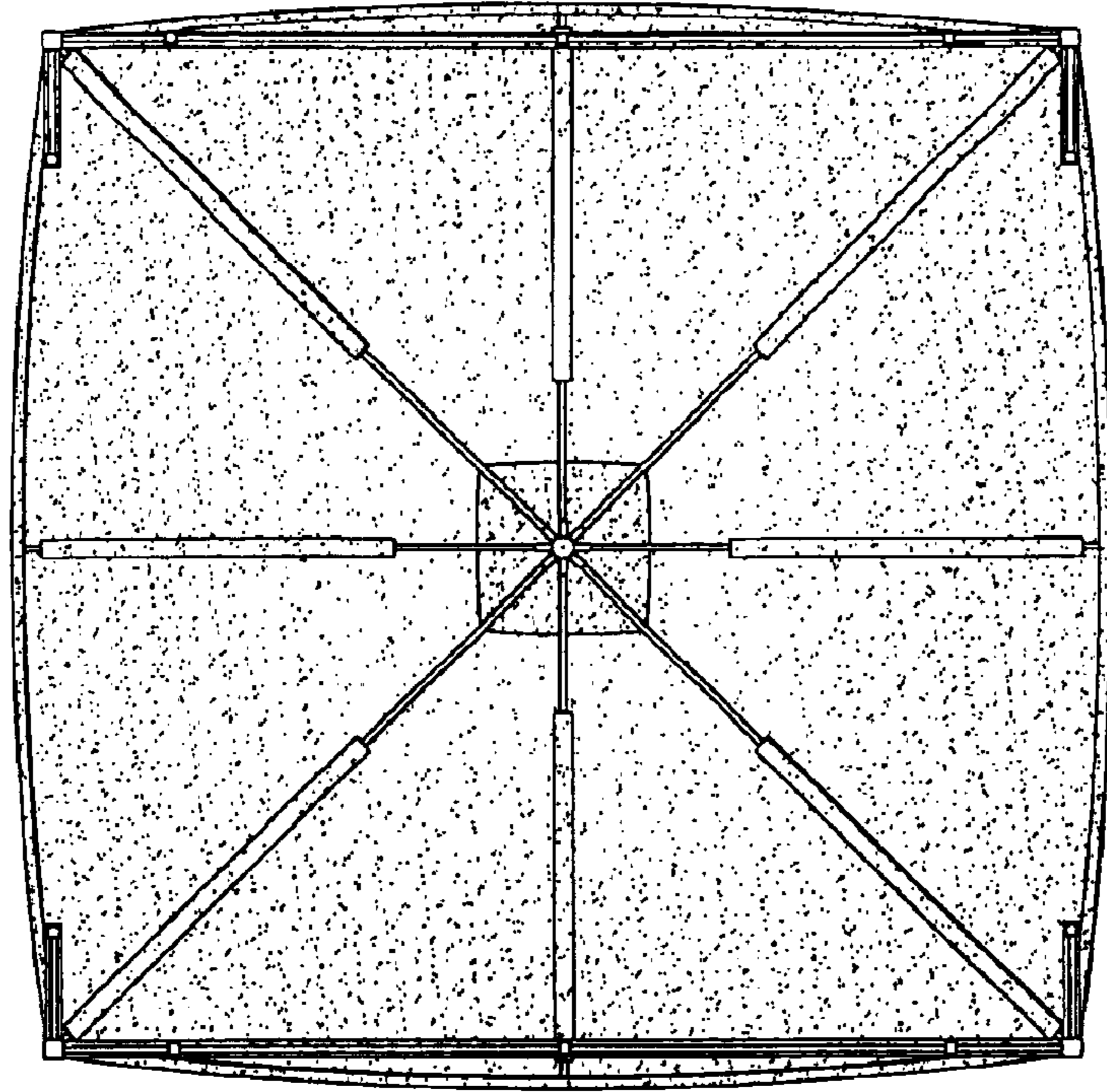


FIG. 7

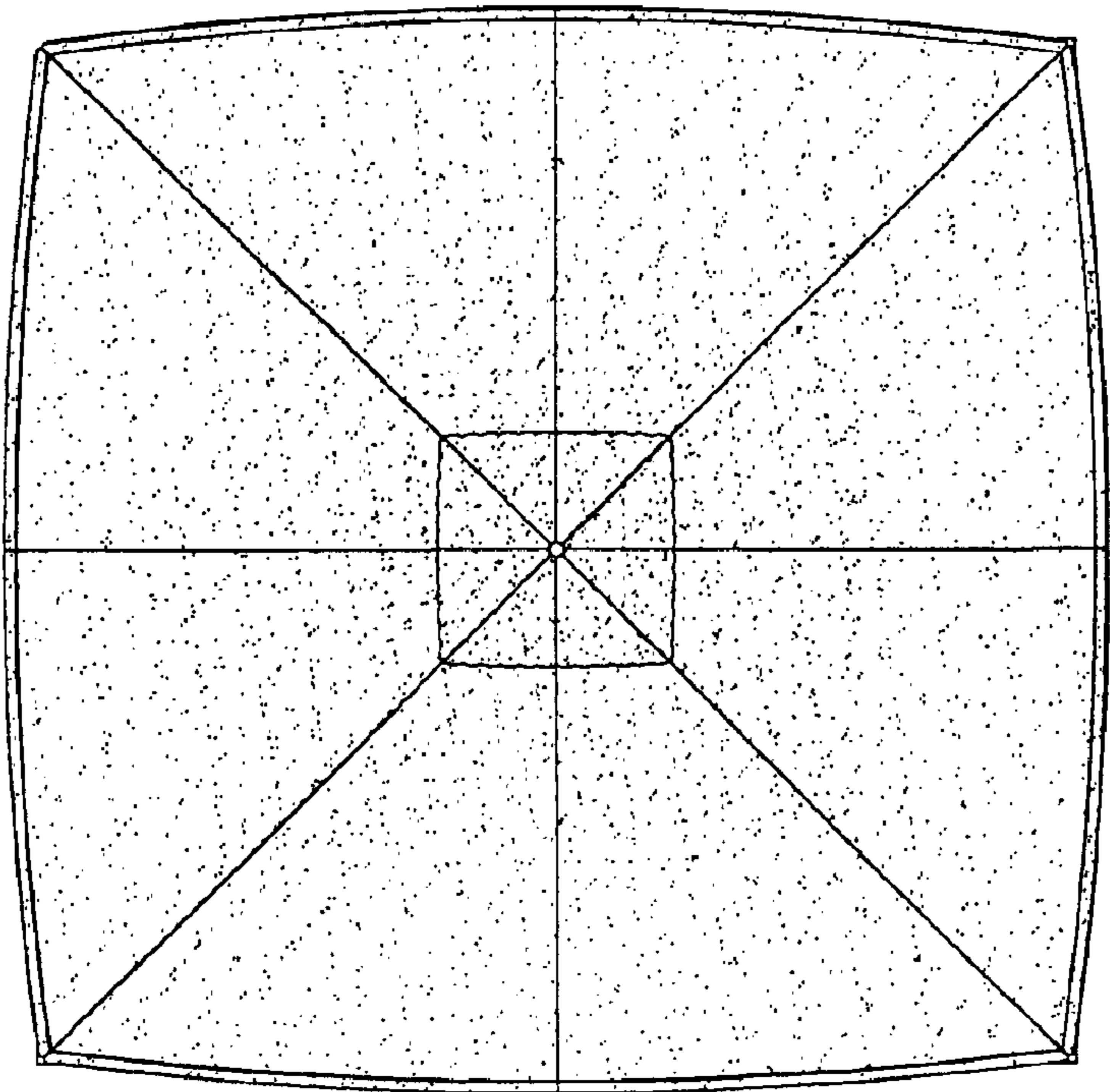


FIG. 6