

US00D506231S

(12) **United States Design Patent**  
**Golliher**

(10) **Patent No.:** **US D506,231 S**  
(45) **Date of Patent:** **\*\* Jun. 14, 2005**

(54) **OBJECT FOR THE CONTROL OF A  
REMOTE CONTROLLED TOY THROUGH  
ATTITUDINAL ORIENTATION OF THE  
OBJECT**  
(75) Inventor: **Clayton R. Golliher, Los Angeles, CA  
(US)**

(73) Assignee: **Hope for Homeless Youth, Los  
Angeles, CA (US)**

(\*\*) Term: **14 Years**

(21) Appl. No.: **29/216,607**

(22) Filed: **Nov. 5, 2004**

(51) **LOC (8) Cl.** ..... **21-01**

(52) **U.S. Cl.** ..... **D21/566**

(58) **Field of Search** ..... D21/566, 324–333;  
D14/412–416, 217–218, 401; 446/454–456,  
141–143, 297, 404, 479; 273/148 B; 463/36–38;  
74/471 R, 522

(56) **References Cited**

**U.S. PATENT DOCUMENTS**

3,392,485 A	7/1968	Asano .....	46/244
4,932,913 A	6/1990	Raviv et al. ....	446/7
D317,025 S	5/1991	Ng Chuk-Sun .....	D21/142
D351,830 S	10/1994	Hayes .....	D14/114
D379,203 S	5/1997	Oikawa .....	D21/48
D380,503 S	7/1997	Tyler .....	D21/48
D393,493 S	4/1998	Lee .....	D21/48
D394,092 S	5/1998	Kato .....	D12/141.1
5,801,771 A *	9/1998	Ohwaki et al. ....	74/471 XY
D410,970 S	6/1999	Larian .....	D21/329
D420,708 S	2/2000	Holmes et al. ....	D21/329
6,033,309 A *	3/2000	Couch et al. ....	273/148 B
6,064,369 A *	5/2000	Okabe et al. ....	74/471 XY
D428,012 S *	7/2000	Cavacuiti et al. ....	D14/413
6,113,459 A	9/2000	Nammoto .....	446/454
D434,086 S	11/2000	Ford .....	D21/328
D435,603 S	12/2000	Holmes et al. ....	D21/329

6,222,526 B1 *	4/2001	Holmes .....	463/38
6,238,289 B1 *	5/2001	Sobota et al. ....	463/36
D455,465 S	4/2002	Yamazaki .....	D21/566
D463,764 S	10/2002	Swan et al. ....	D12/176
D475,665 S	6/2003	Pfeiffer et al. ....	D12/176
6,761,635 B2 *	7/2004	Hoshino et al. ....	463/37
D494,516 S	8/2004	Swan et al. ....	D12/176

**OTHER PUBLICATIONS**

Hong Kong Enterprise, pp. 496–497 and 446, 2000.\*

\* cited by examiner

*Primary Examiner*—Raphael Barkai

(74) *Attorney, Agent, or Firm*—Fulbright & Jaworski,  
L.L.P.

(57) **CLAIM**

The ornamental design for an object for the control of a remote controlled toy through attitudinal orientation of the object, as shown and described.

**DESCRIPTION**

FIG. 1 is a plan view of an object for the control of a remote controlled toy through attitudinal orientation of the object. FIG. 2 is a right side view of the object for the control of a remote controlled toy through attitudinal orientation of the object of FIG. 1, the other side view being a mirror image of the side view of FIG. 2.

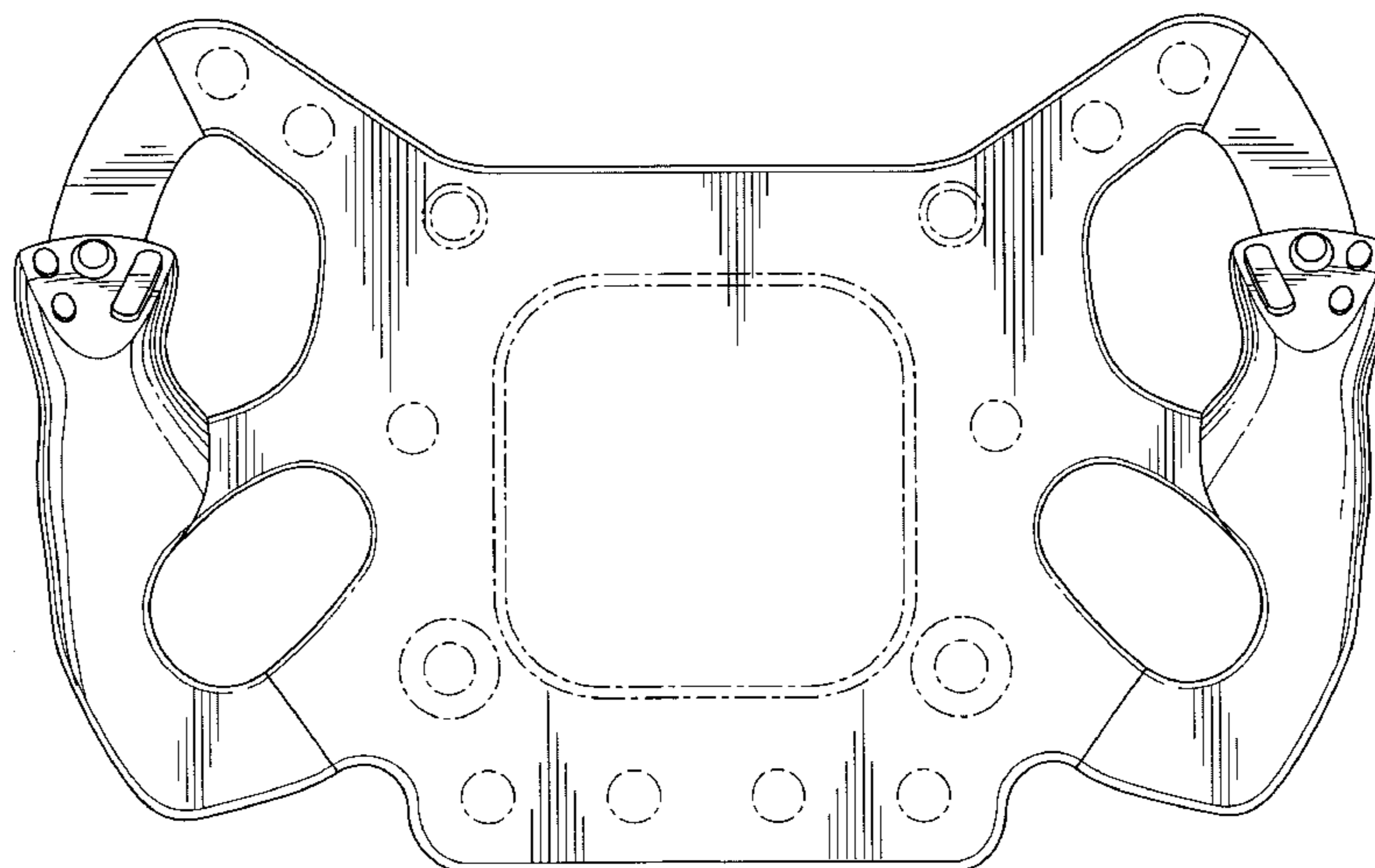
FIG. 3 is a top view of the object for the control of a remote controlled toy through attitudinal orientation of the object of FIG. 1; and,

FIG. 4 is a bottom view of the object for the control of a remote controlled toy through attitudinal orientation of the object of FIG. 1.

The bottom of the object for the control of a remote controlled toy through attitudinal orientation of the object does not form any part of the design.

The broken lines shown in FIGS. 1–4 are for illustrative purposes only and form no part of the claimed design.

**1 Claim, 2 Drawing Sheets**



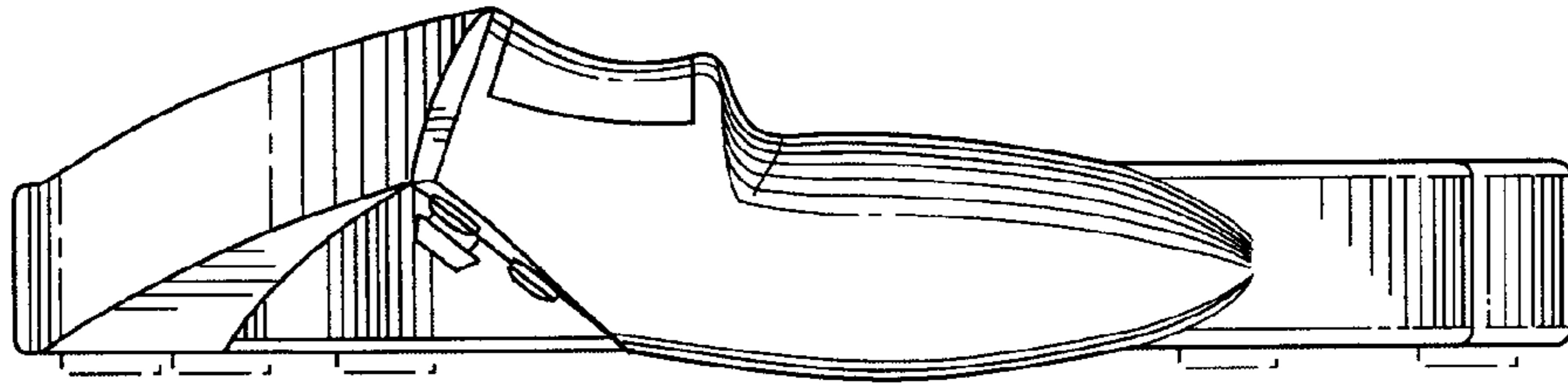


Fig 2

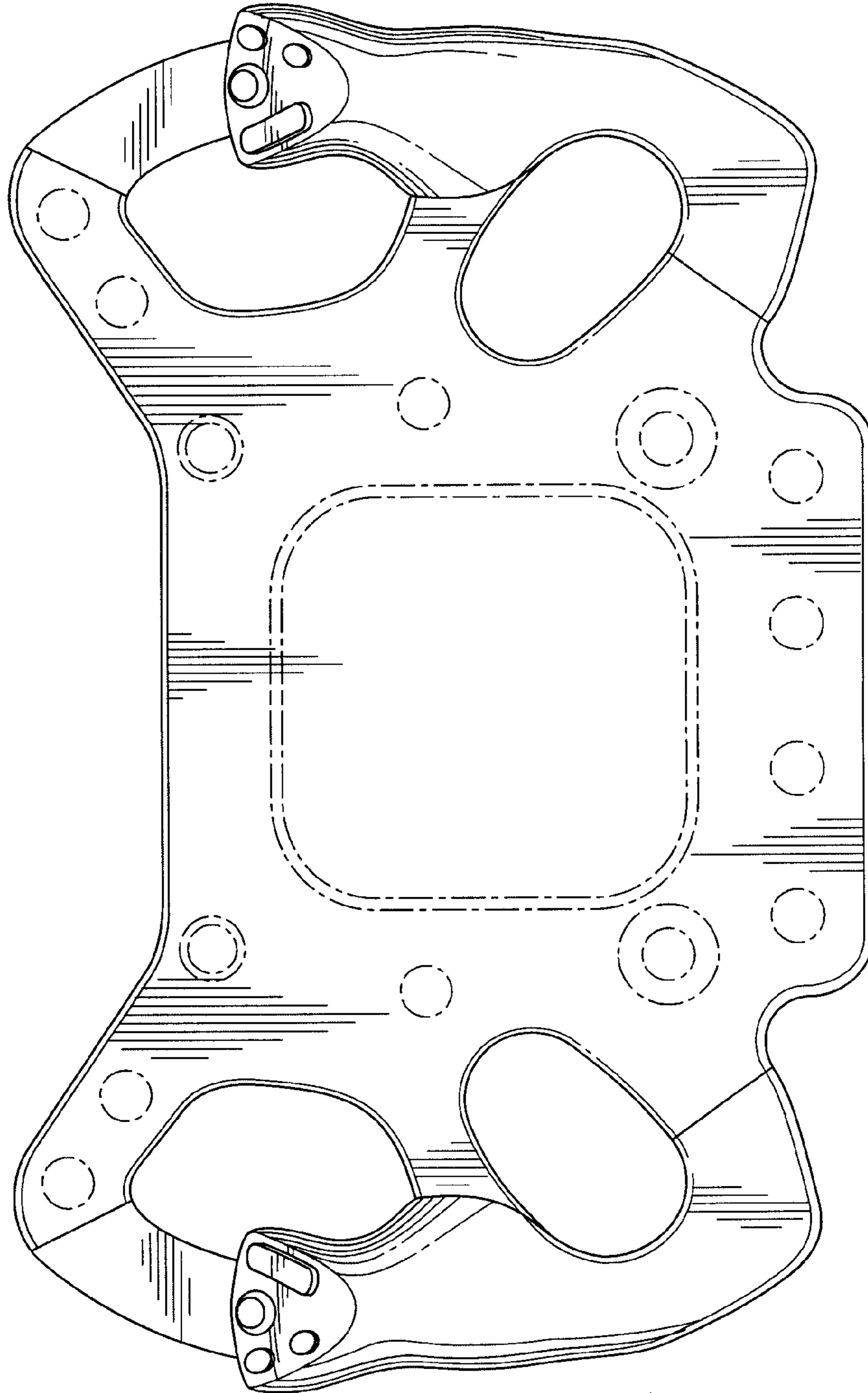


Fig 1



Fig 3

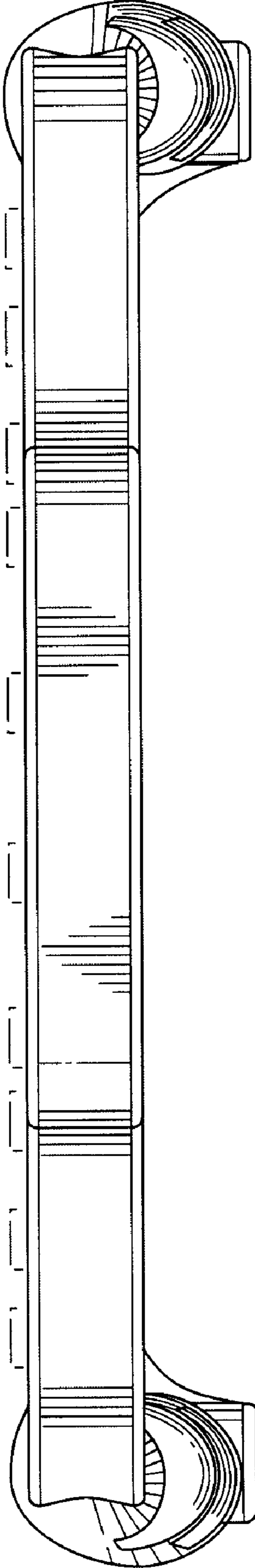


Fig 4