

US00D506230S

(12) **United States Design Patent**
Perry

(10) **Patent No.:** **US D506,230 S**
(45) **Date of Patent:** **** Jun. 14, 2005**

(54) **MAGNETIC TOP TOY**

D290,857 S * 7/1987 Lohr D21/464
D436,383 S * 1/2001 Chesler D21/404

(76) Inventor: **Michael C. Perry**, 136 S. Euclid, Oak Park, IL (US) 60302

* cited by examiner

(**) Term: **14 Years**

Primary Examiner—Catherine Tuttle
(74) *Attorney, Agent, or Firm*—Owen E. Perry

(21) Appl. No.: **29/206,018**

(57) **CLAIM**

(22) Filed: **May 24, 2004**

The ornamental design for the magnetic top toy, as shown and described.

(51) **LOC (8) Cl.** **21-01**

(52) **U.S. Cl.** **D21/461**

(58) **Field of Search** D21/398, 404,
D21/455–465; 446/129, 131–139, 233,
236–238, 240–266, 450–453

DESCRIPTION

(56) **References Cited**

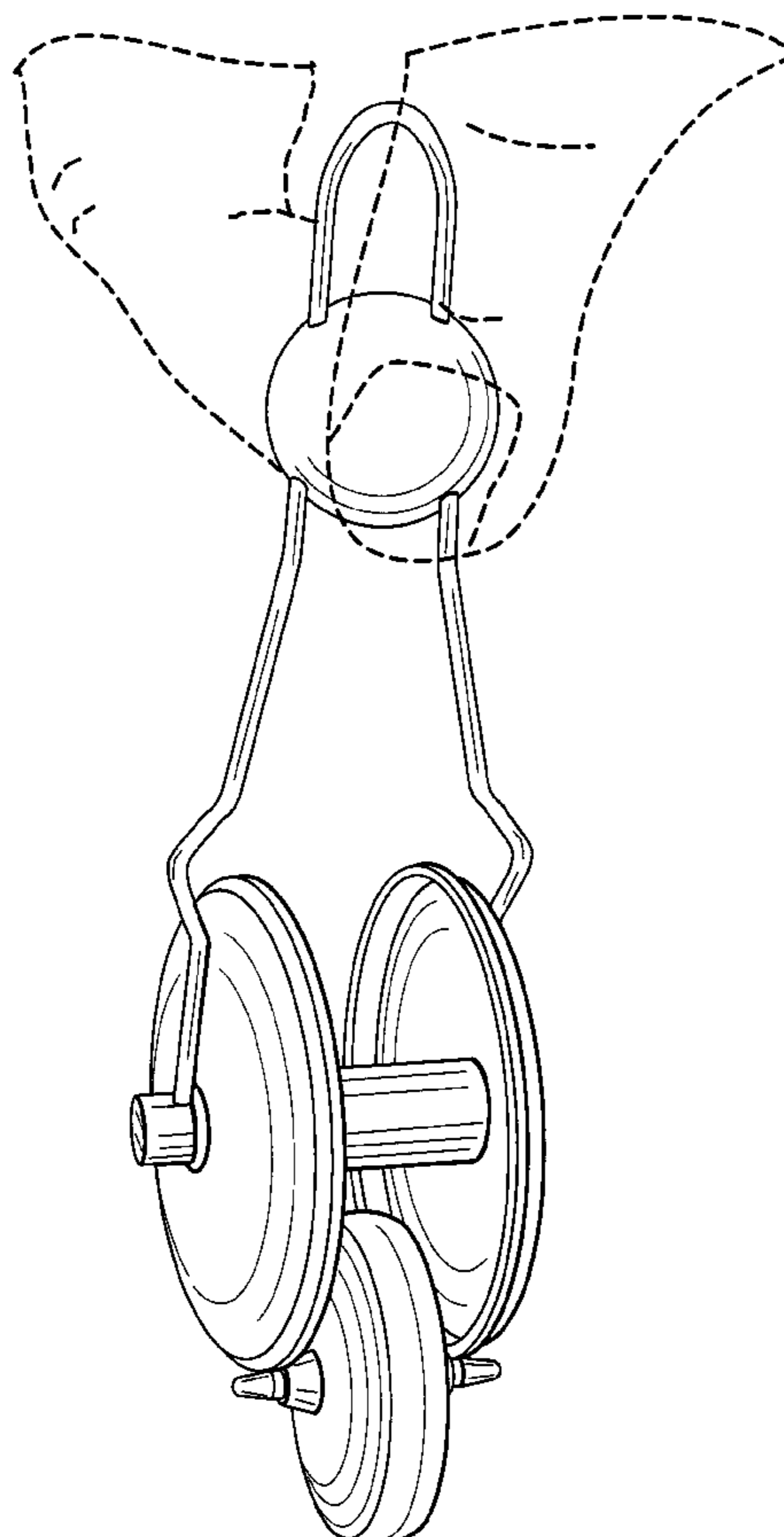
U.S. PATENT DOCUMENTS

870,146	A	*	11/1907	Webb	446/71
884,391	A	*	4/1908	Johansson	446/260
1,322,217	A	*	11/1919	Anderson	446/250
1,403,200	A	*	1/1922	Sandstrom	446/257
2,034,293	A	*	3/1936	Hacker	446/259
2,818,680	A	*	1/1958	Borsos	446/135
3,785,652	A	*	1/1974	Ghovanloo	273/126 R
4,031,660	A	*	6/1977	Chen	446/132
4,290,225	A	*	9/1981	MacCarthy	446/250
D275,582	S	*	9/1984	MacCarthy	D21/464

FIG. 1 is a perspective view of the magnetic top toy showing my new design;
FIG. 2 is a front elevational view thereof;
FIG. 3 is a side elevational view thereof, the side opposite being a mirror image of the side shown;
FIG. 4 is a top view showing the design with the magnetic top element in an alternate position with respect to the handle; and,
FIG. 5 is a bottom view of FIG. 4.

The broken lines in FIG. 1 showing portions of the thumb and finger of a person holding the magnetic top toy are for illustrative purposes only; and form no part of the claimed design.

1 Claim, 2 Drawing Sheets



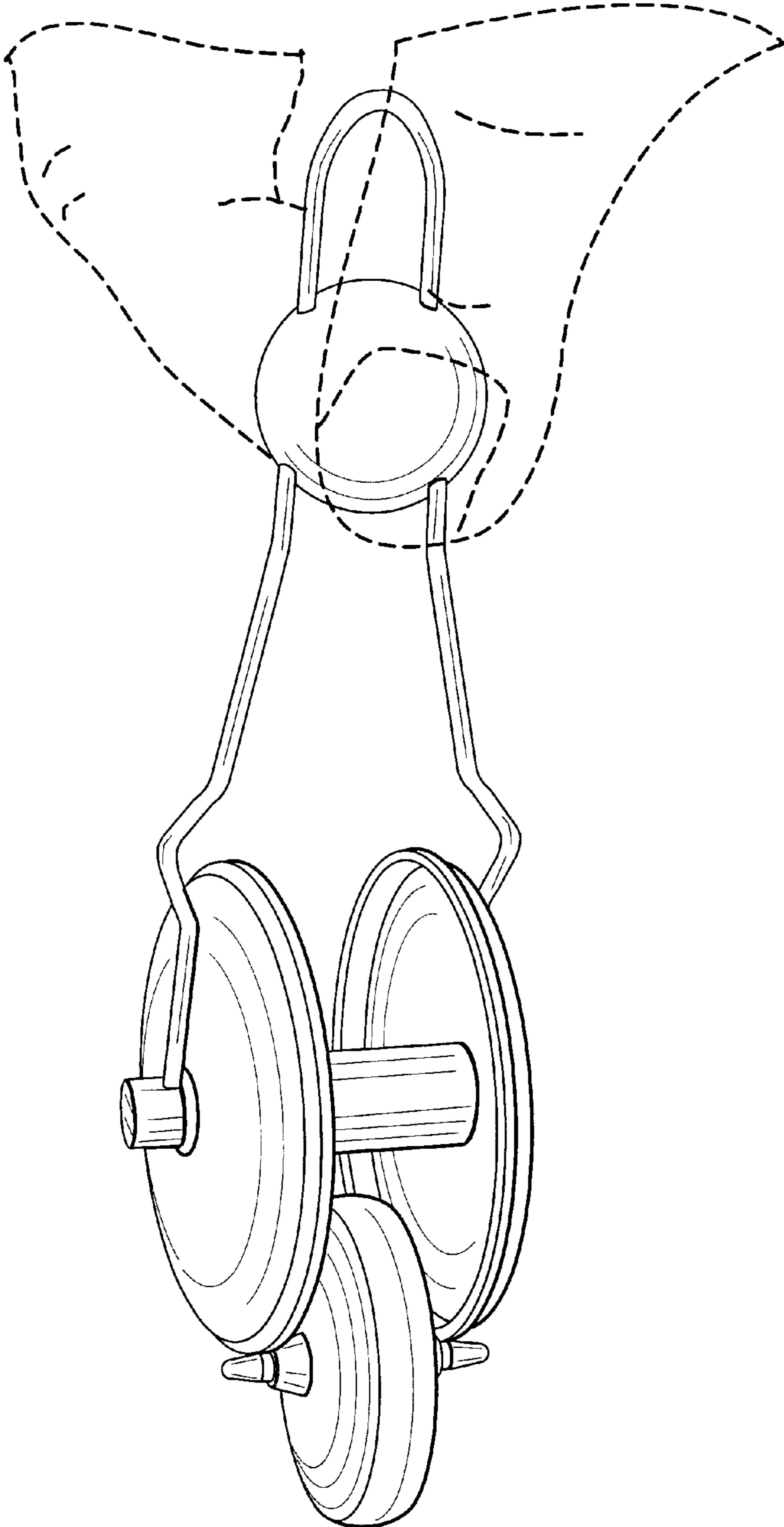


FIG. 1

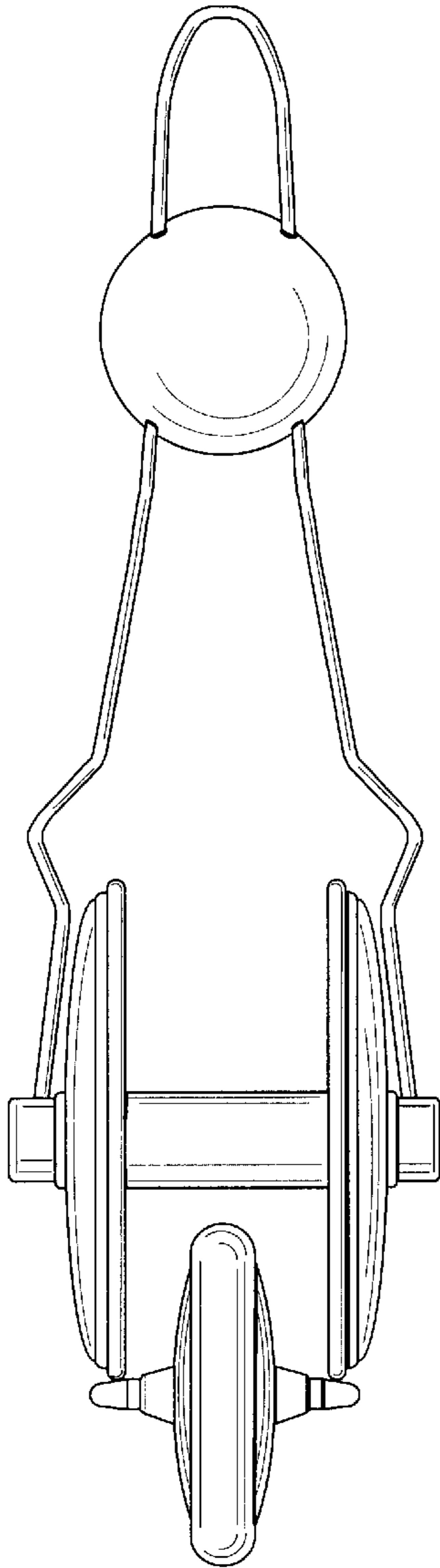


FIG. 2

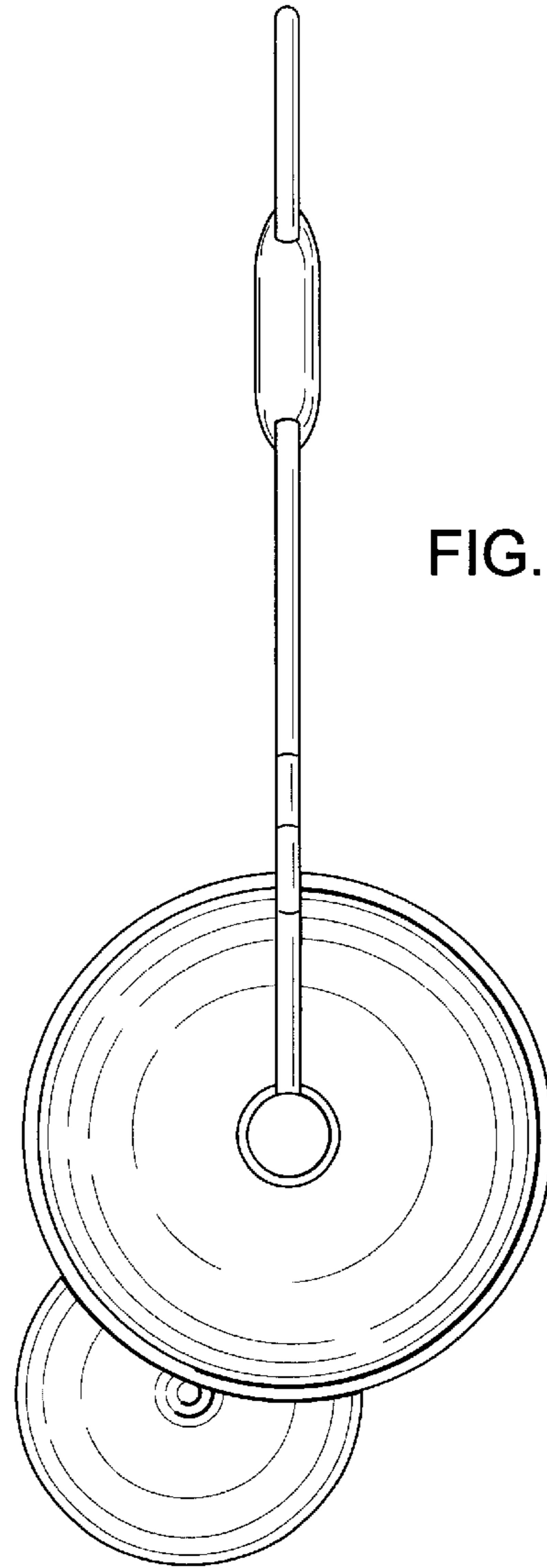


FIG. 3

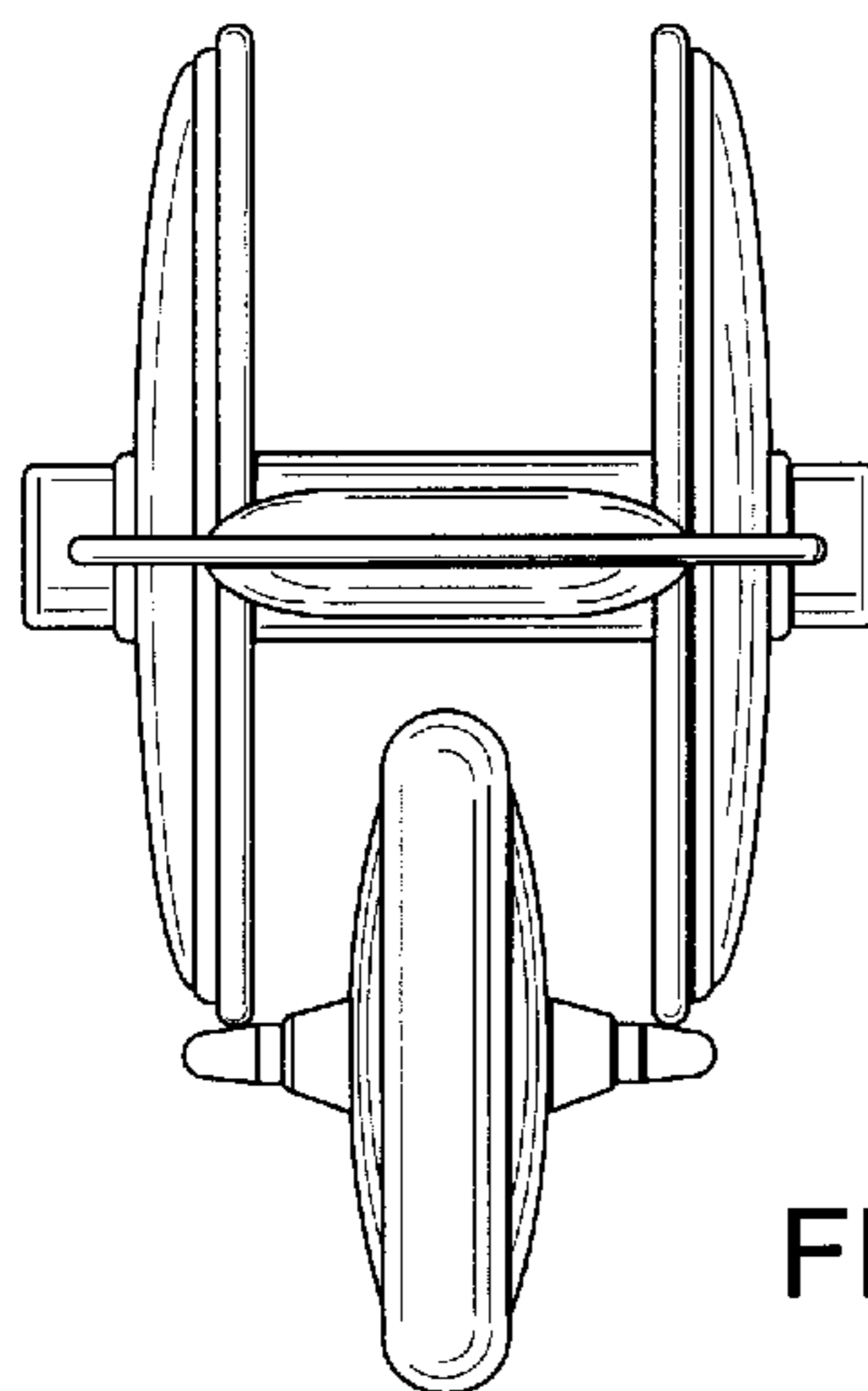


FIG. 4

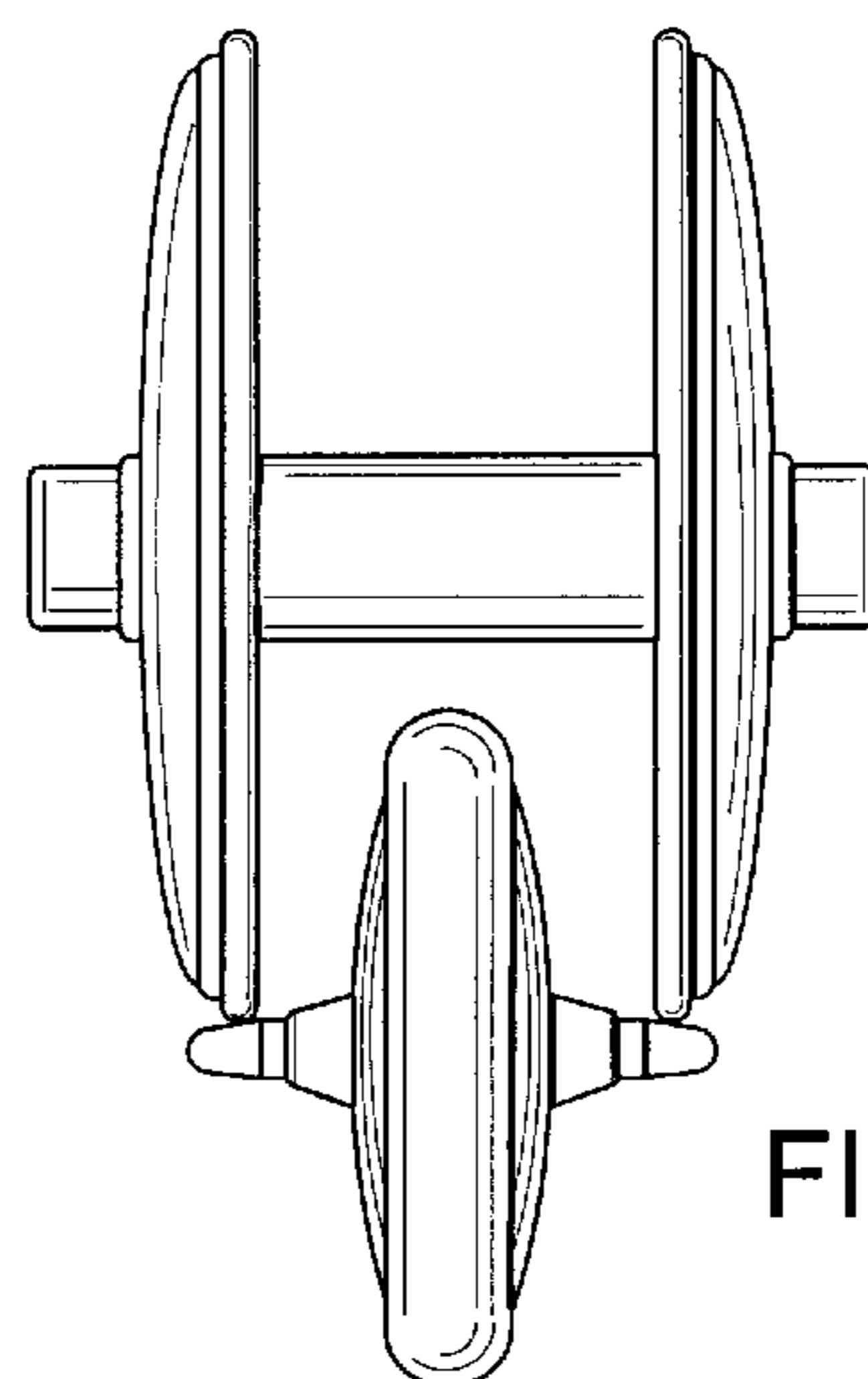


FIG. 5