

US00D506224S

(12) **United States Design Patent**
Farce

(10) **Patent No.:** **US D506,224 S**
(45) **Date of Patent:** **** Jun. 14, 2005**

(54) **TAPE DISPENSER**

(75) Inventor: **Jean Michel Farce, Paris (FR)**

(73) Assignee: **Henkel Kommanditgesellschaft auf Aktien, Duesseldorf (DE)**

(**) Term: **14 Years**

(21) Appl. No.: **29/209,644**

(22) Filed: **Jul. 19, 2004**

(30) **Foreign Application Priority Data**

Apr. 21, 2004 (DE) 404 02 478

(51) **LOC (8) Cl.** **19-02**

(52) **U.S. Cl.** **D19/69; D19/67**

(58) **Field of Search** D19/65, 66, 67-69, D19/89, 99, 100; 206/389, 395, 398, 411, 415; 225/6, 7, 11, 19, 25, 33-36, 45, 46, 52, 53, 56, 65, 74, 77, 89; 156/327, 527, 523, 577; 242/588, 588.1-588.6, 590

(56) **References Cited**

U.S. PATENT DOCUMENTS

D226,989 S * 5/1973 Kikuchi et al. D19/69
D310,103 S * 8/1990 Beirise et al. D19/67

4,961,525 A * 10/1990 Corbo et al. 225/65
D423,054 S * 4/2000 Harris D19/69
D434,801 S * 12/2000 Van Den Berg D19/69
D442,227 S * 5/2001 Carlson et al. D19/69
D448,413 S * 9/2001 Carlson et al. D19/69
D490,469 S * 5/2004 Chandaria D19/69
D496,690 S * 9/2004 Crawford et al. D19/69

* cited by examiner

Primary Examiner—Martie K. Holtje

(74) *Attorney, Agent, or Firm*—Stephen D. Harper; Glenn F. J. Murphy

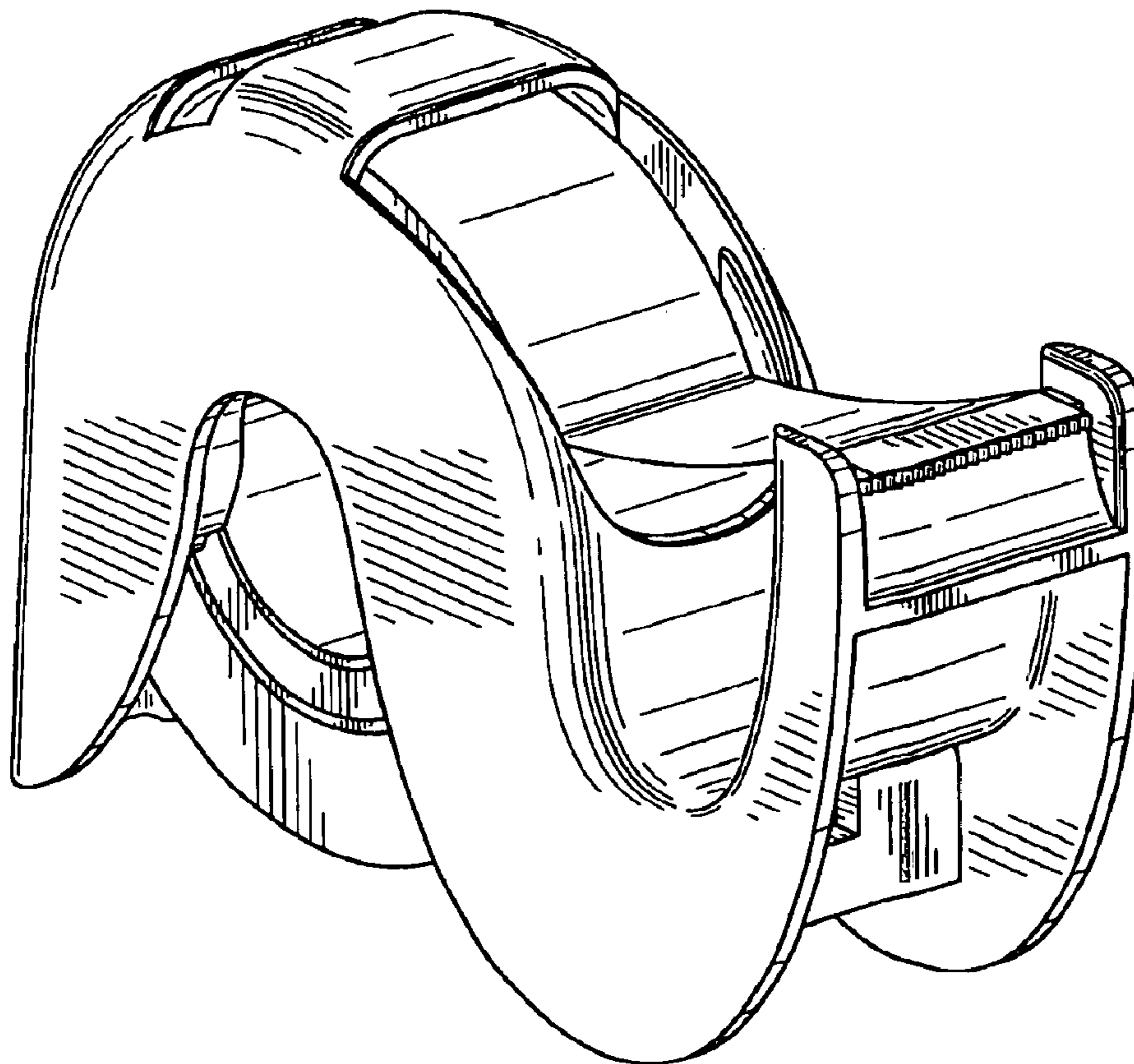
(57) **CLAIM**

The design for a tape dispenser, as shown and described.

DESCRIPTION

FIG. 1 is a top left front perspective view of a tape dispenser according to the new design;
FIG. 2 is a left elevation view thereof;
FIG. 3 is a right elevation view thereof;
FIG. 4 is a front elevation view thereof;
FIG. 5 is a rear elevation view thereof;
FIG. 6 is a bottom plan view thereof; and,
FIG. 7 is a top plan view thereof.

1 Claim, 4 Drawing Sheets



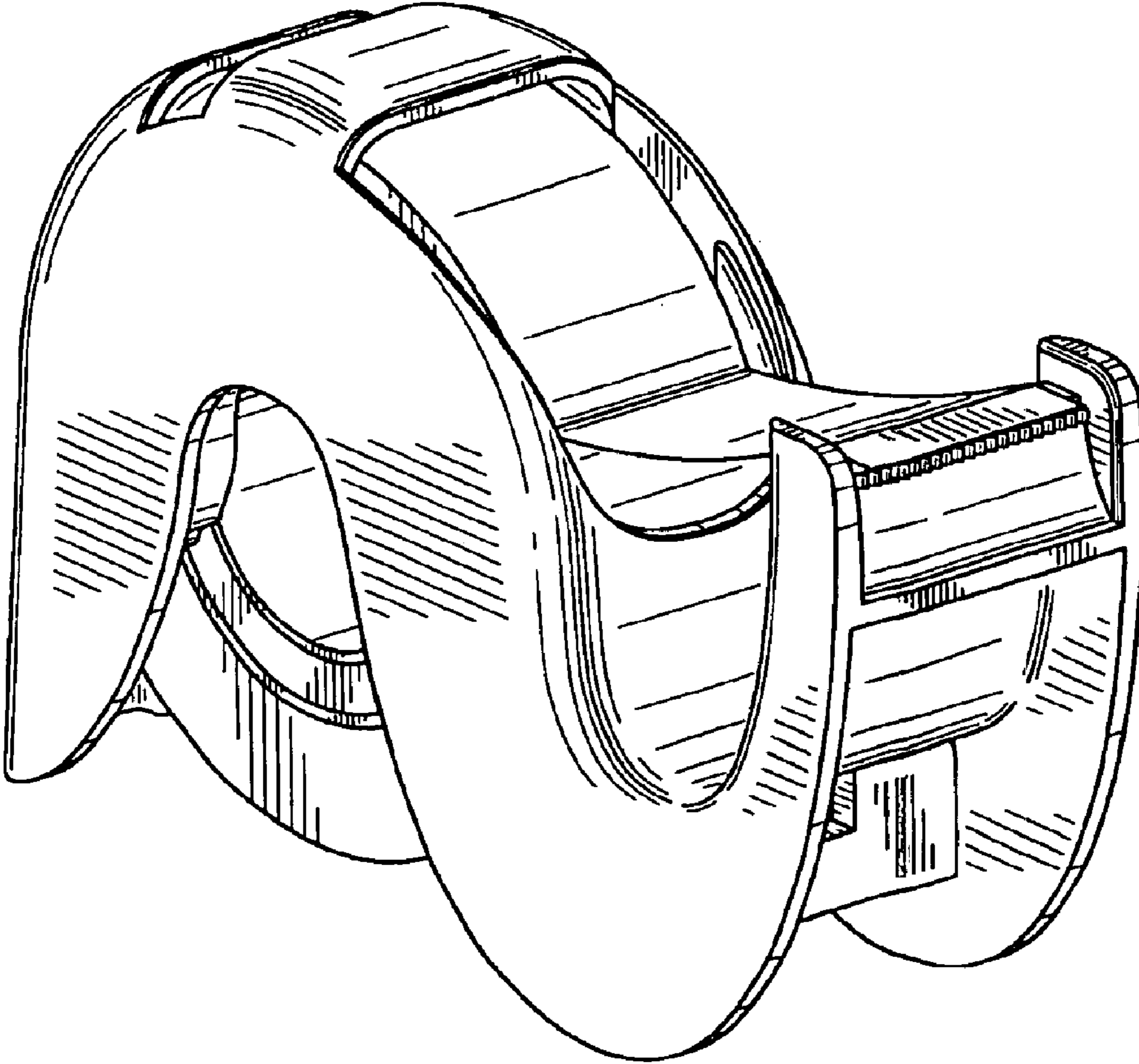


FIG. 1

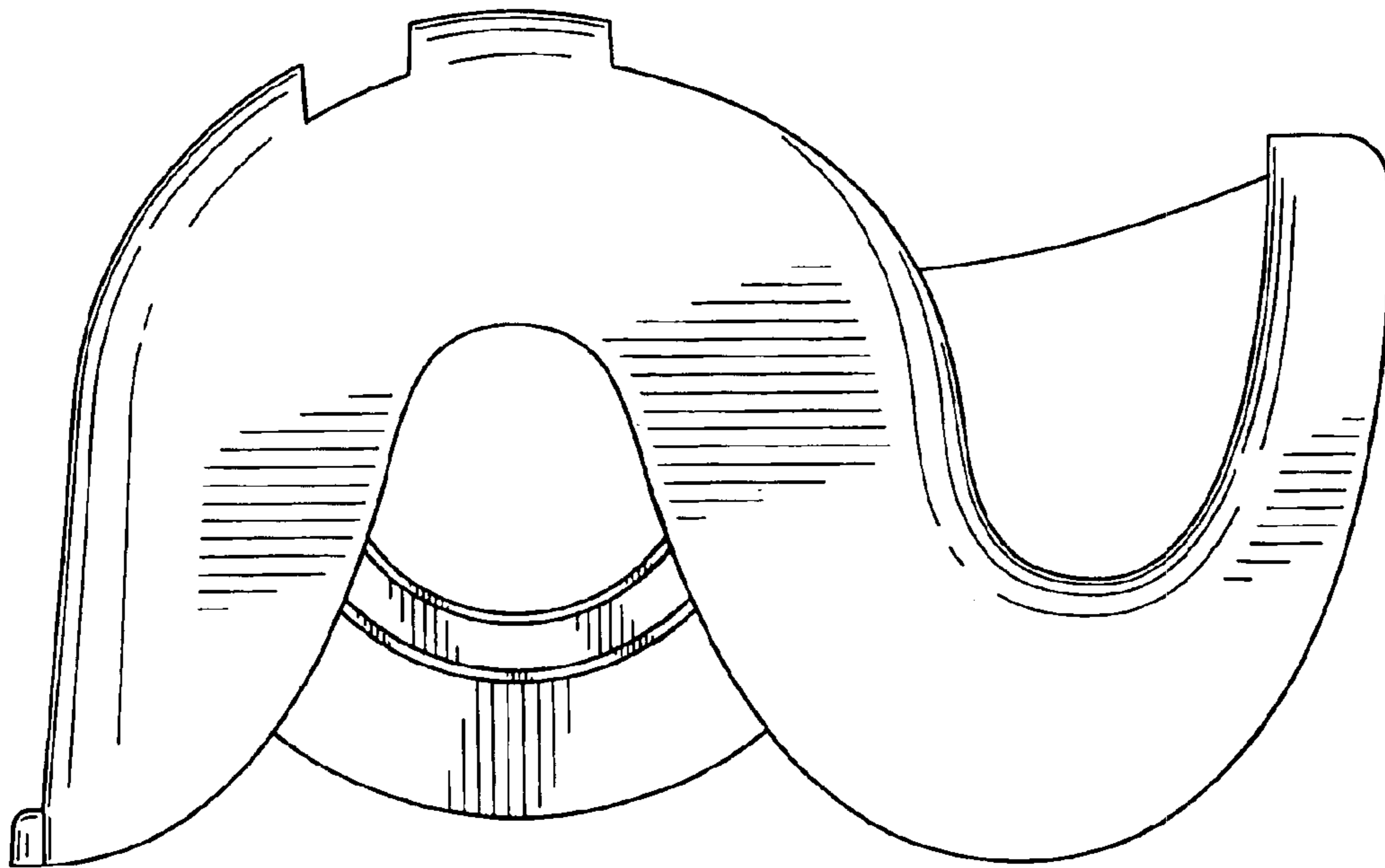


FIG. 2

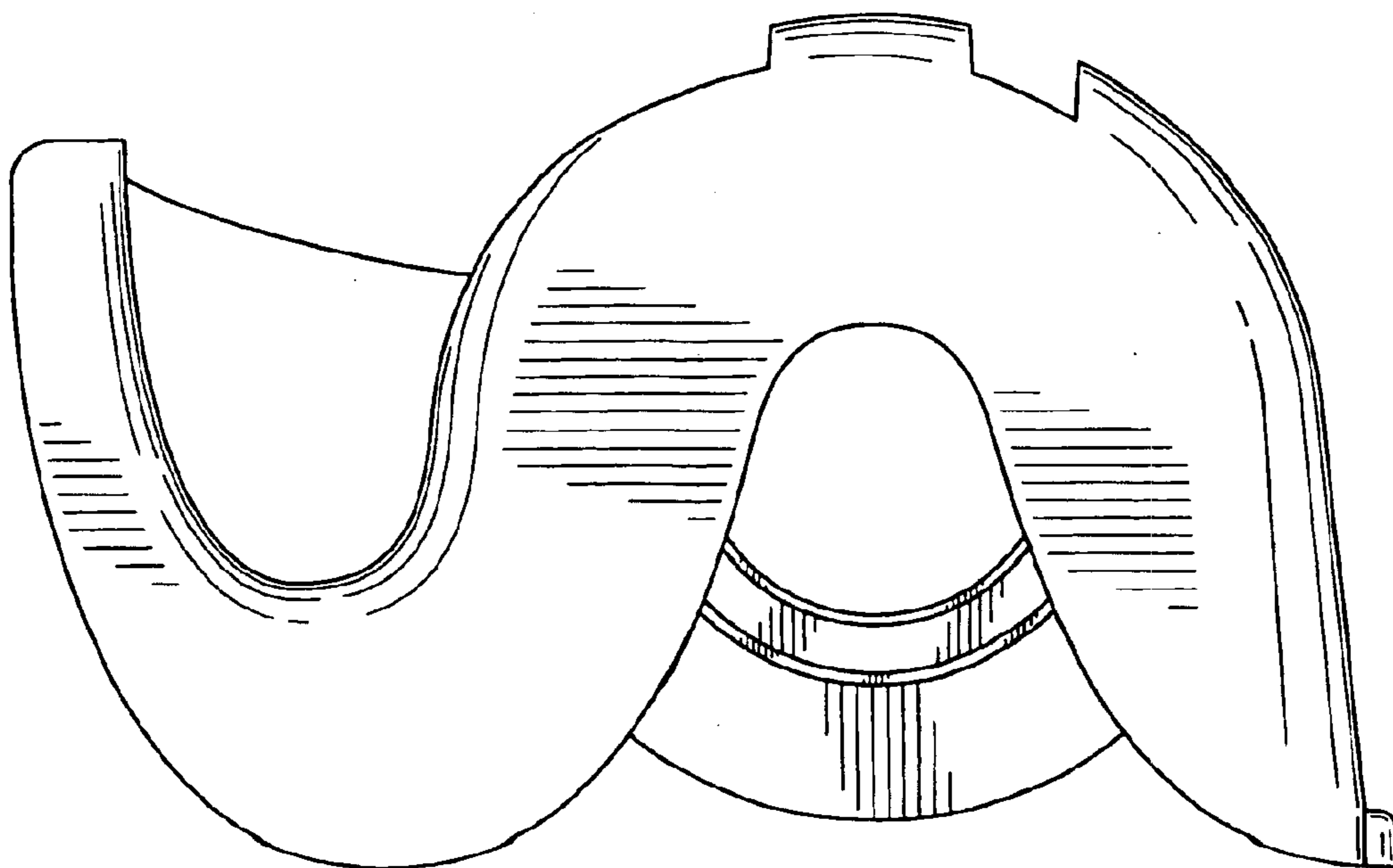


FIG. 3

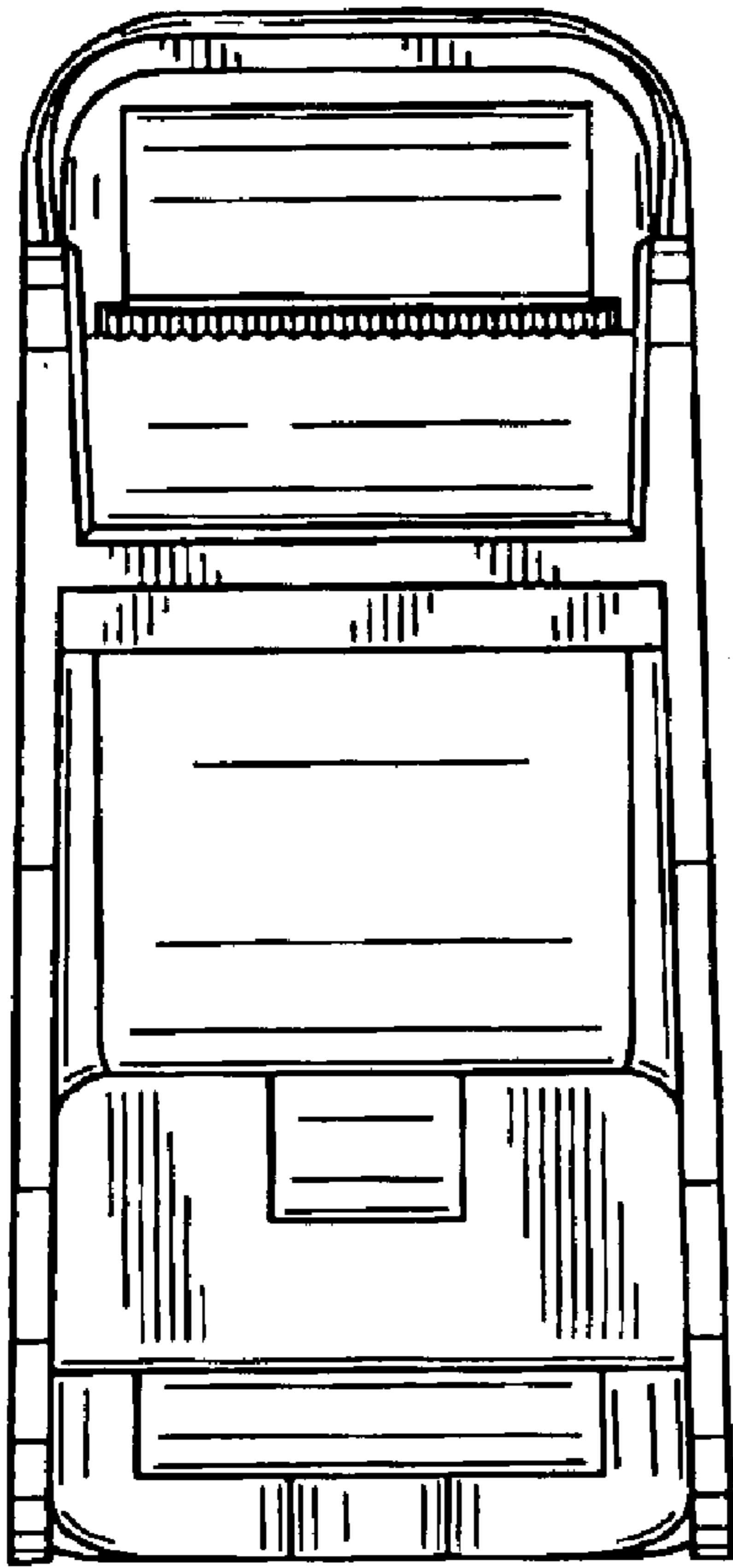


FIG. 4

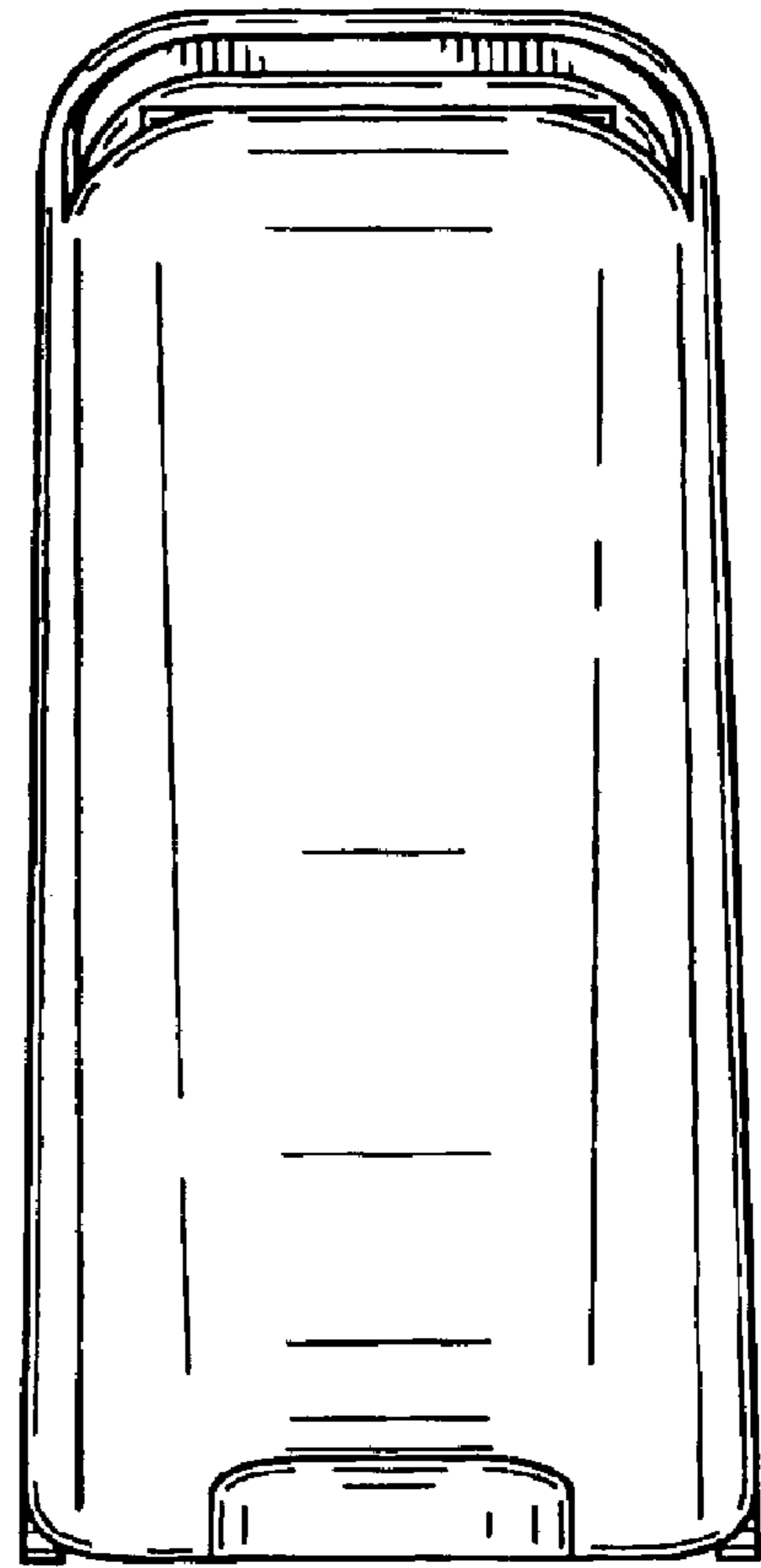


FIG. 5

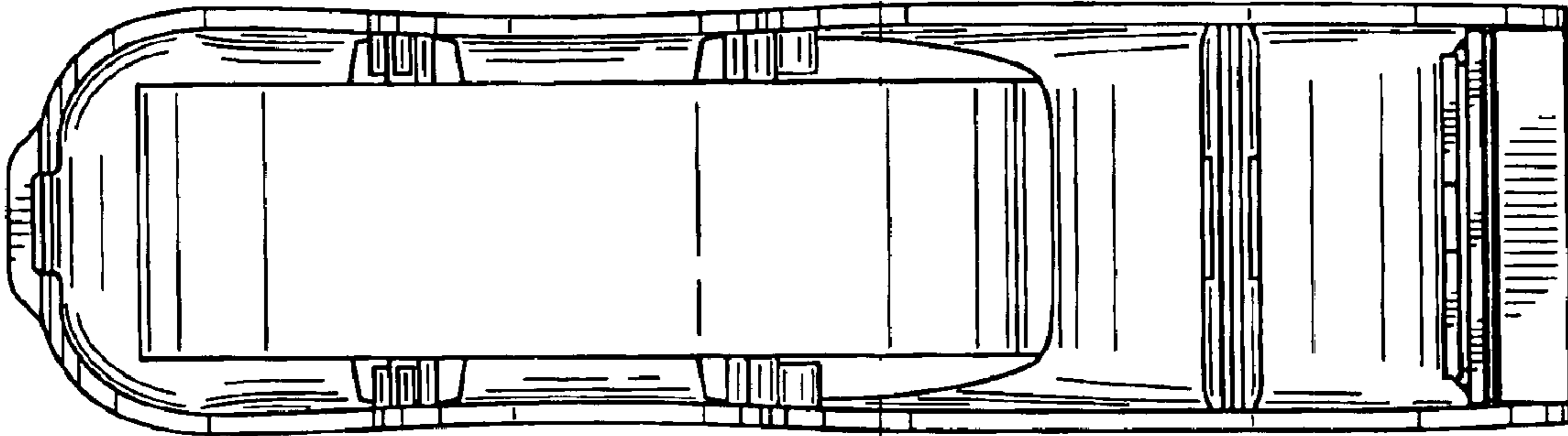


FIG. 6

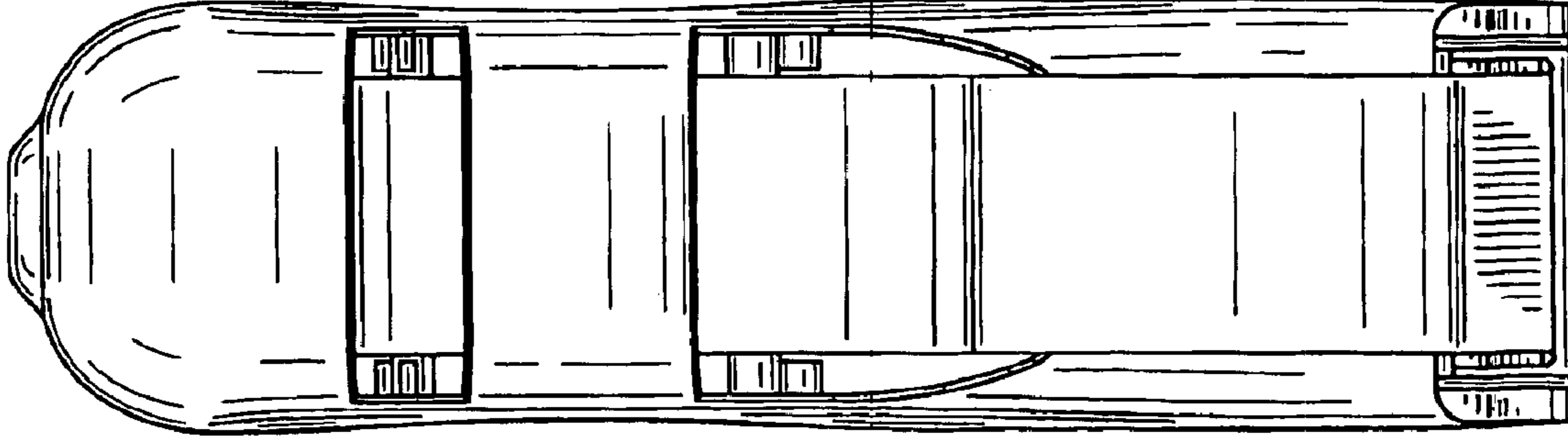


FIG. 7